



US00D587084S

(12) **United States Design Patent**
Van Wambeke

(10) **Patent No.:** **US D587,084 S**
(45) **Date of Patent:** **** Feb. 24, 2009**

(54) **HAMMER DRILL**
(75) Inventor: **Weston J. Van Wambeke**, Towson, MD (US)
(73) Assignee: **Black & Decker Inc.**, Newark, DE (US)
(**) Term: **14 Years**
(21) Appl. No.: **29/322,775**
(22) Filed: **Aug. 12, 2008**

DE	40205451	11/2002
DE	40303557	10/2003
DE	000192109-0002	8/2004
DE	000192109-0003	8/2004
DE	000255815-0001	2/2005
DE	000255815-0002	2/2005
DE	000255815-0003	2/2005
DE	40703857	10/2007
FR	000188503	8/2004
FR	DM069023	12/2007
IT	000057617	11/2003

Primary Examiner—Antoine D Davis
(74) *Attorney, Agent, or Firm*—Bruce S. Shapiro

(51) **LOC (9) Cl.** **08-01**
(52) **U.S. Cl.** **D8/68**
(58) **Field of Classification Search** D8/14.1,
D8/61-70; 81/57.11, 429, 454-456, 469,
81/489; 173/13, 104, 114, 168-171, 178,
173/201, 211, 213, 217; 408/20, 124, 125,
408/234, 241 R; 451/358; 310/50; 227/8,
227/113, 114, 120, 130, 136, 142
See application file for complete search history.

(57) **CLAIM**

The ornamental design for a hammer drill, as shown and described.

DESCRIPTION

FIG. 1 is a left/front perspective view of a hammer drill.
FIG. 2 is a front view thereof.
FIG. 3 is a rear view thereof.
FIG. 4 is a right side view thereof.
FIG. 5 is a left side view thereof.
FIG. 6 is a top view thereof.
FIG. 7 is a bottom view thereof.
FIG. 8 is a left/front perspective view of a hammer drill.
FIG. 9 is a front view thereof.
FIG. 10 is a rear view thereof.
FIG. 11 is a right side view thereof.
FIG. 12 is a left side view thereof.
FIG. 13 is a top view thereof; and,
FIG. 14 is a bottom view thereof.

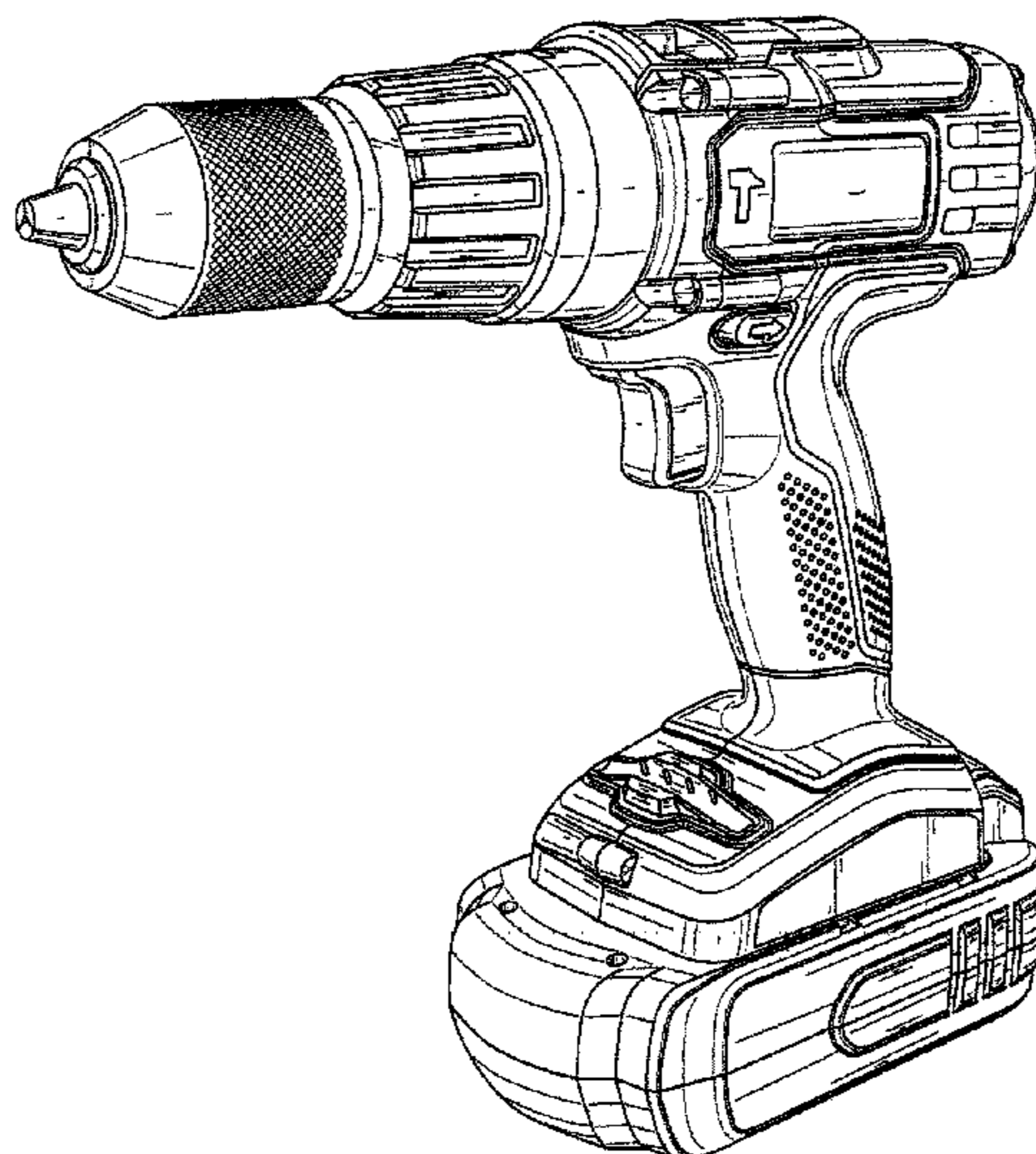
The broken lines are for illustrative purposes only and form no part of the claimed design.

(56) **References Cited**
U.S. PATENT DOCUMENTS
D420,877 S 2/2000 Schultz
6,308,378 B1 * 10/2001 Mooty et al. 310/50
D460,674 S 7/2002 Henn
D467,483 S 12/2002 Henn
D496,843 S 10/2004 Sugawara
D501,384 S * 2/2005 Wright et al. D8/68

(Continued)

FOREIGN PATENT DOCUMENTS
DE M9604701 4/1997
DE M9703272 9/1997
DE M9703311 10/1997
DE M9804390 1/1999
DE 49911374 5/2000
DE 49912214 5/2000
DE 40003708 9/2000
DE 40105815 11/2001

1 Claim, 14 Drawing Sheets



US D587,084 S

Page 2

U.S. PATENT DOCUMENTS

D504,298 S	4/2005	Bian	
D506,914 S	7/2005	Okuda	
D510,007 S *	9/2005	Yamamoto	D8/68
D511,080 S	11/2005	Koch et al.	
D514,909 S	2/2006	Bosch	
D515,376 S	2/2006	Wacker et al.	
D515,381 S	2/2006	Ng	
D525,848 S *	8/2006	Kokawa	D8/68
D527,971 S *	9/2006	Kokawa	D8/68
D533,040 S *	12/2006	Schoen	D8/68
D536,591 S	2/2007	Ghode et al.	
D539,110 S *	3/2007	Okuda	D8/68
D551,527 S	9/2007	Aglassinger	
D565,374 S	4/2008	Zhang	
7,410,441 B2 *	8/2008	Milbourne et al.	173/216

* cited by examiner

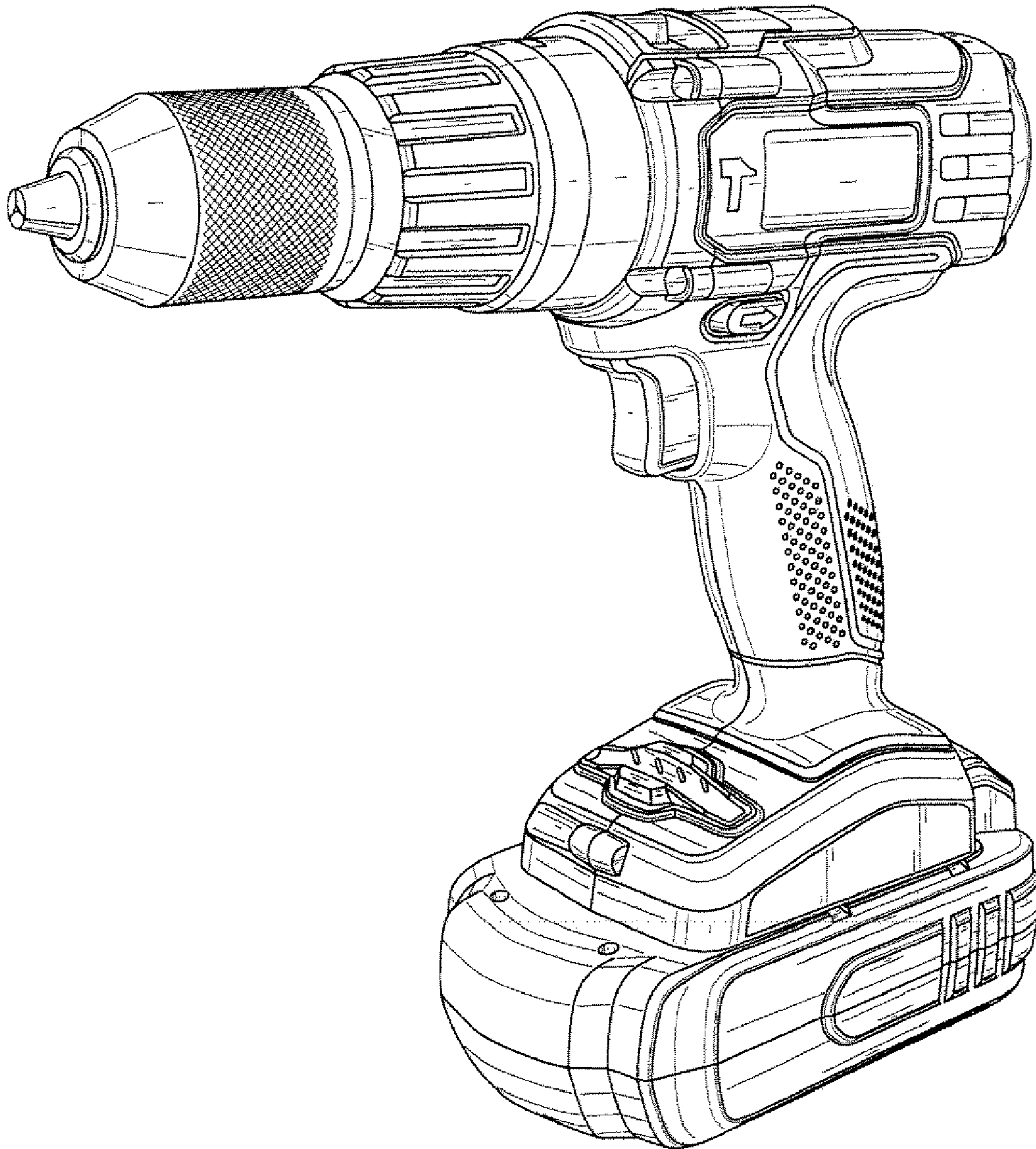


FIG. 1

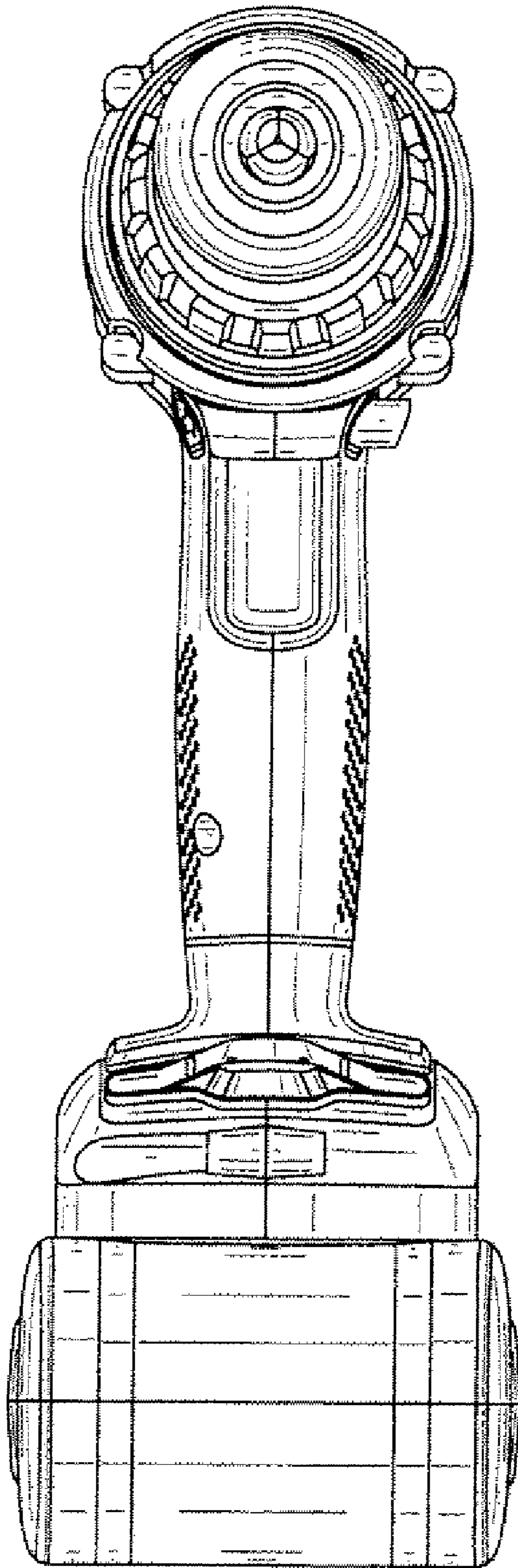


FIG. 2

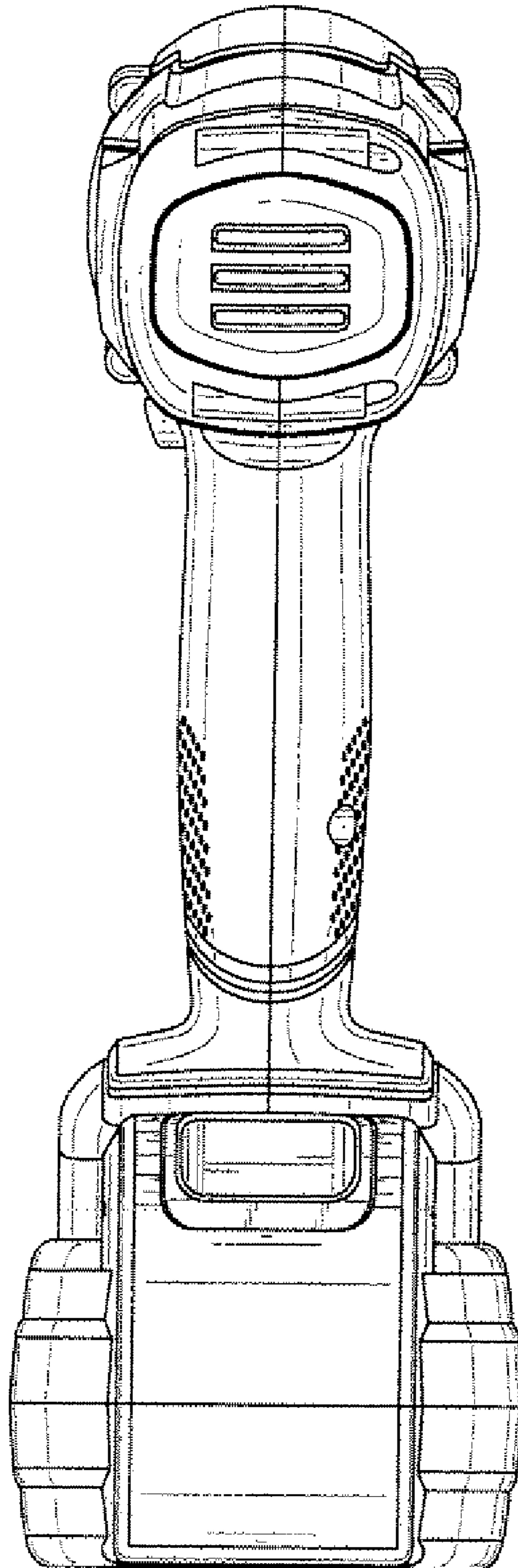


FIG. 3

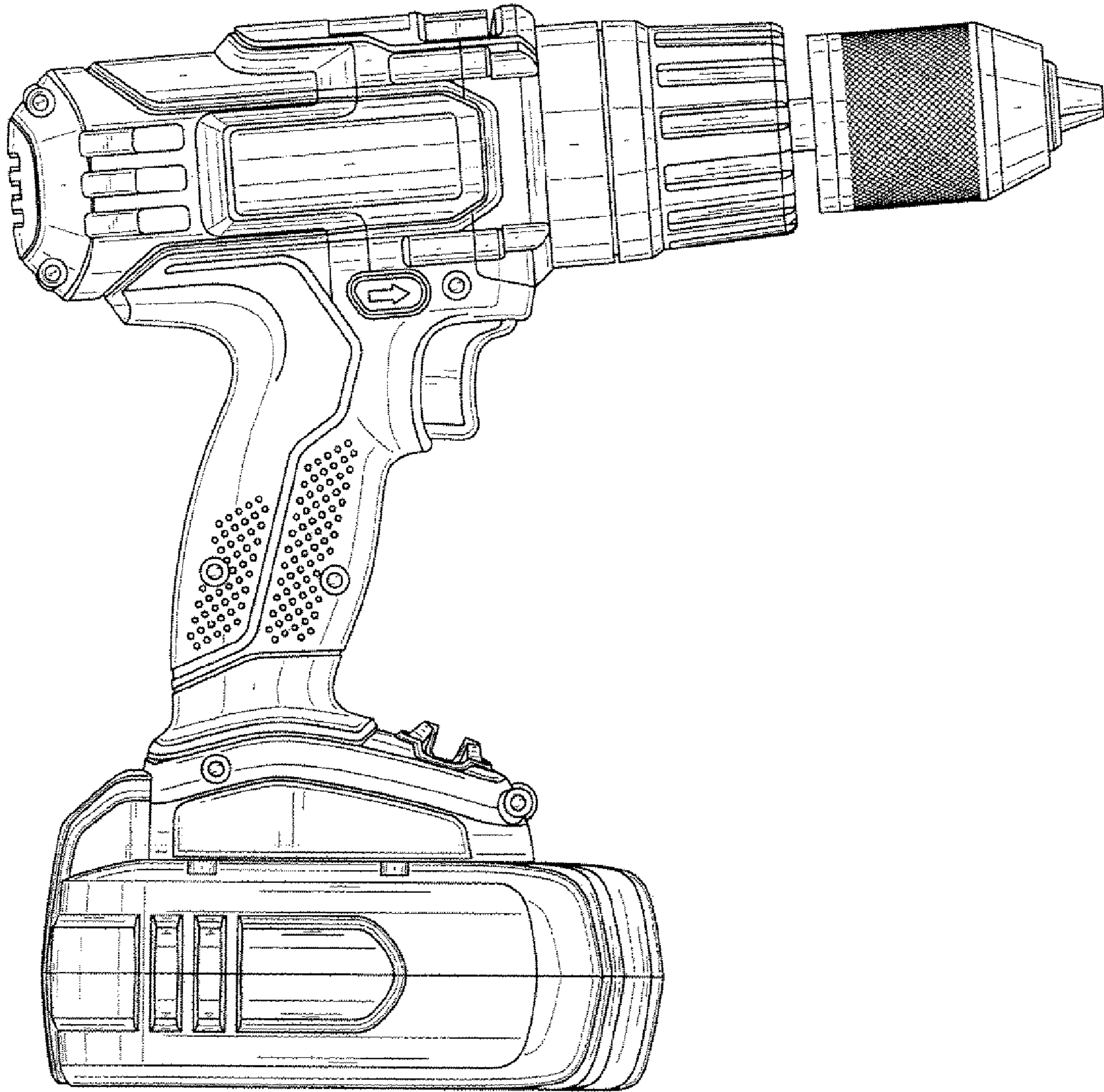


FIG. 4

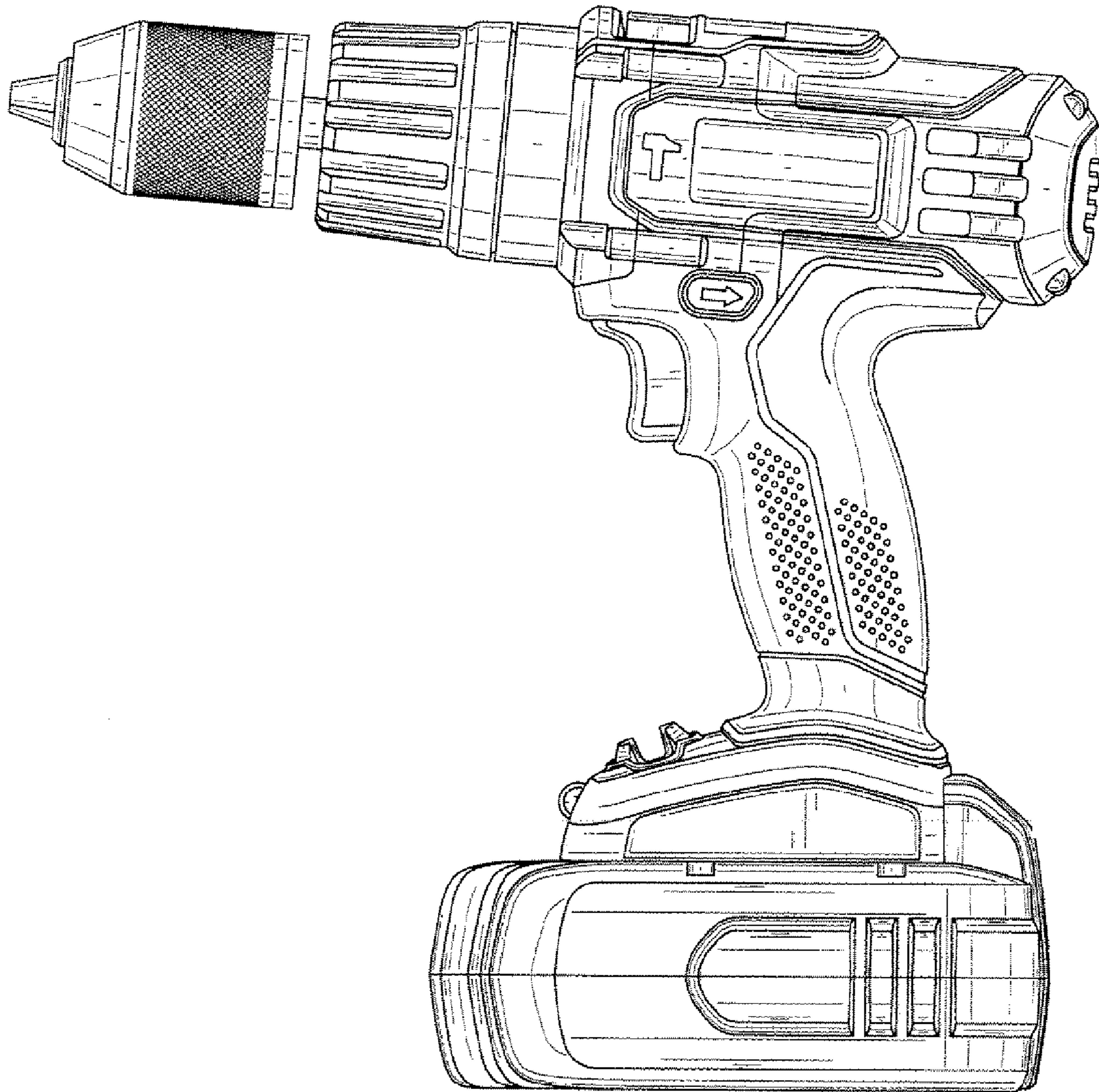


FIG. 5

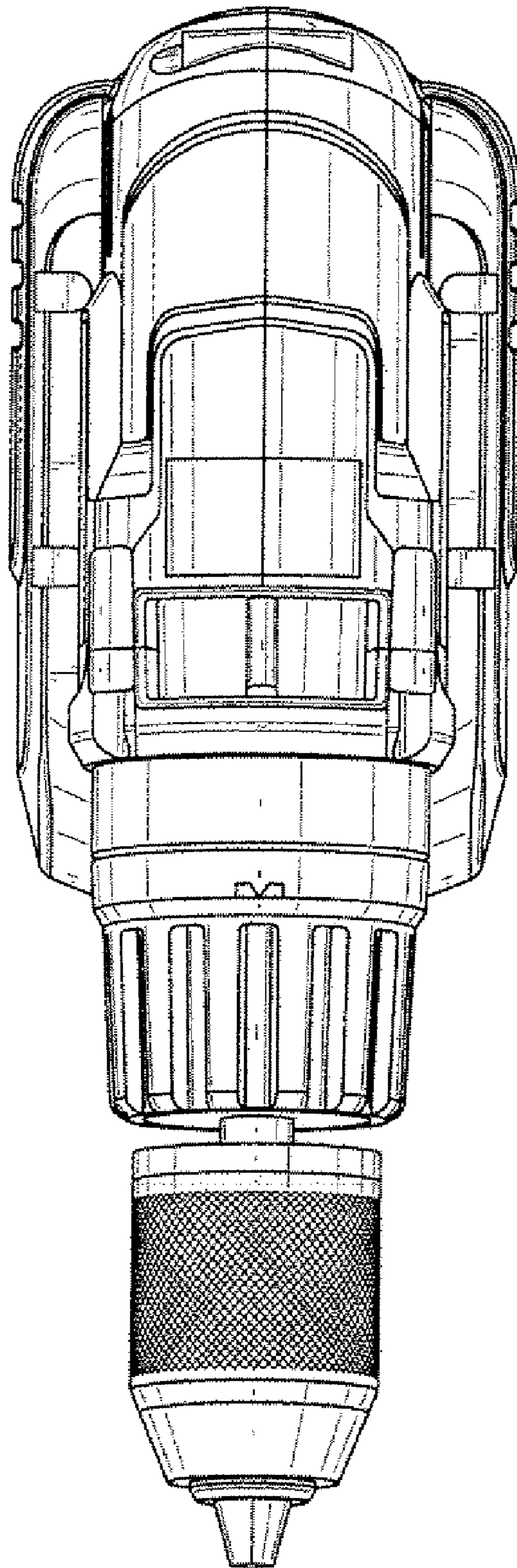


FIG. 6

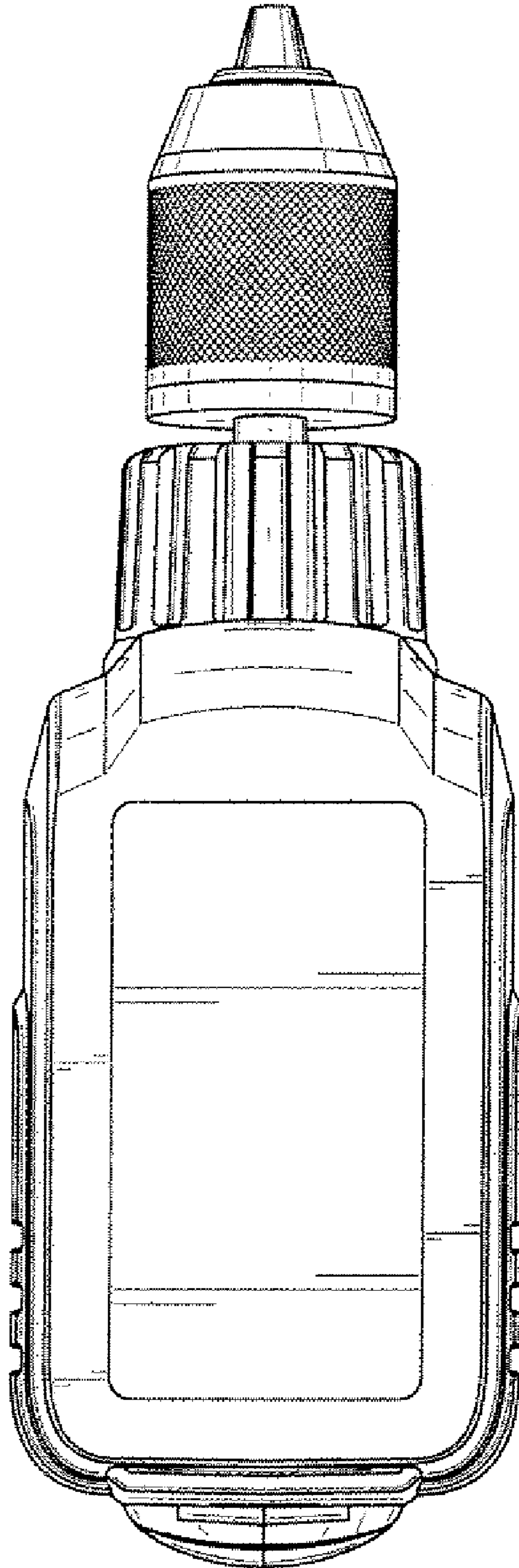


FIG. 7

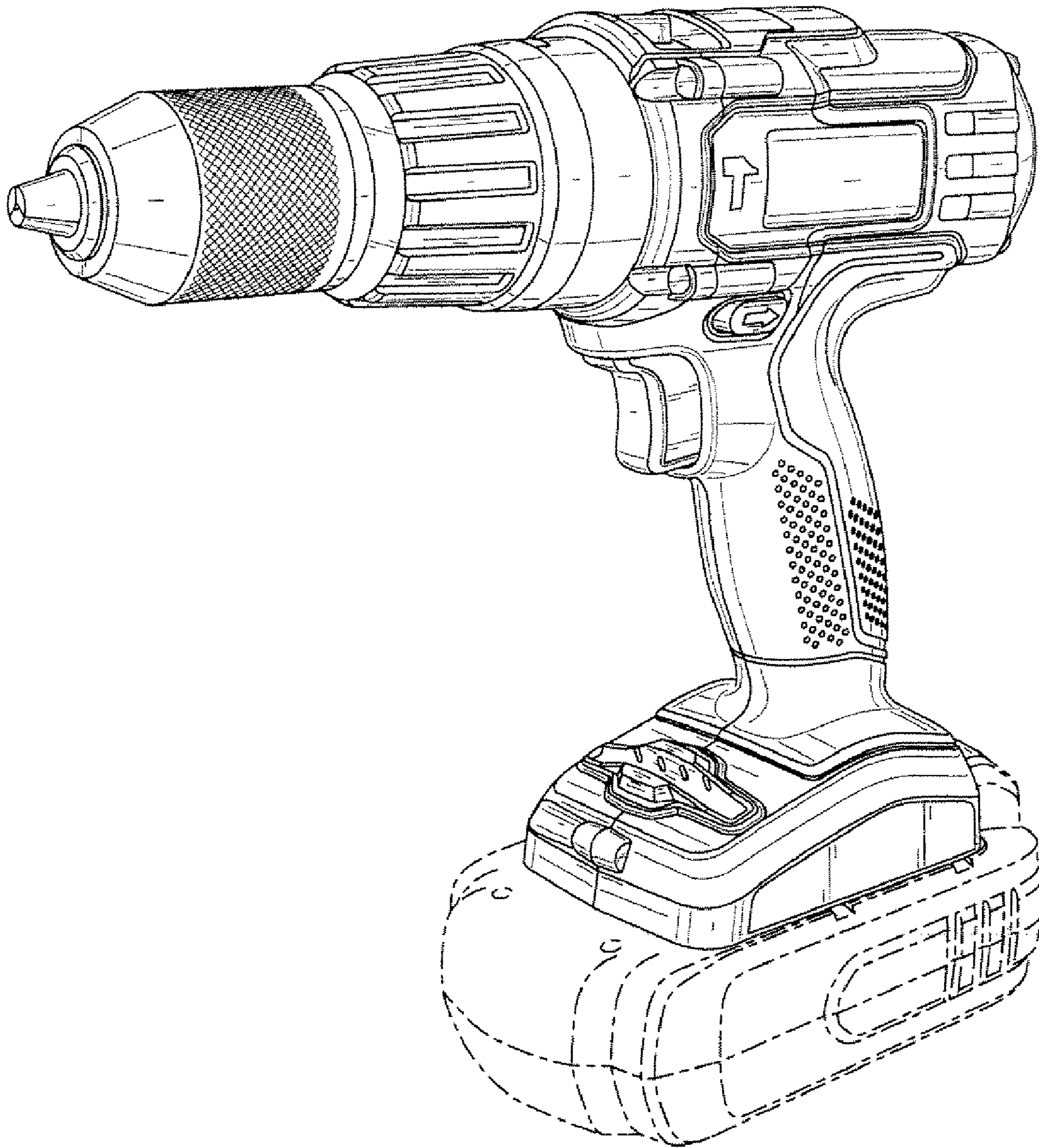


FIG. 8

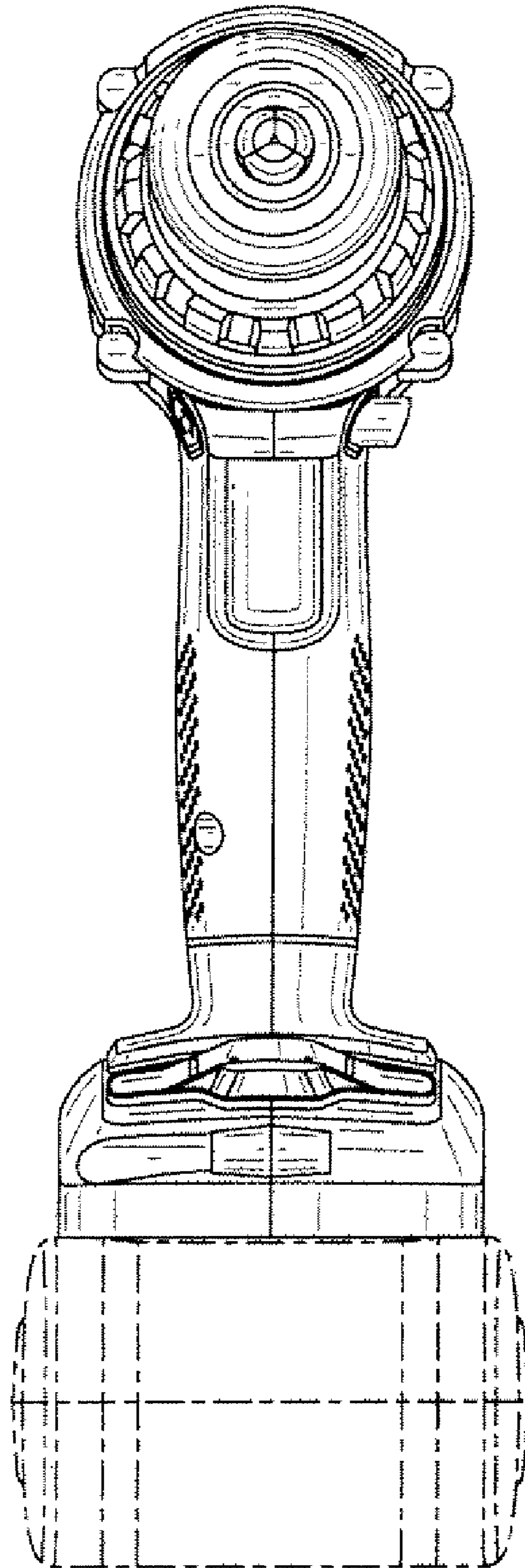


FIG. 9

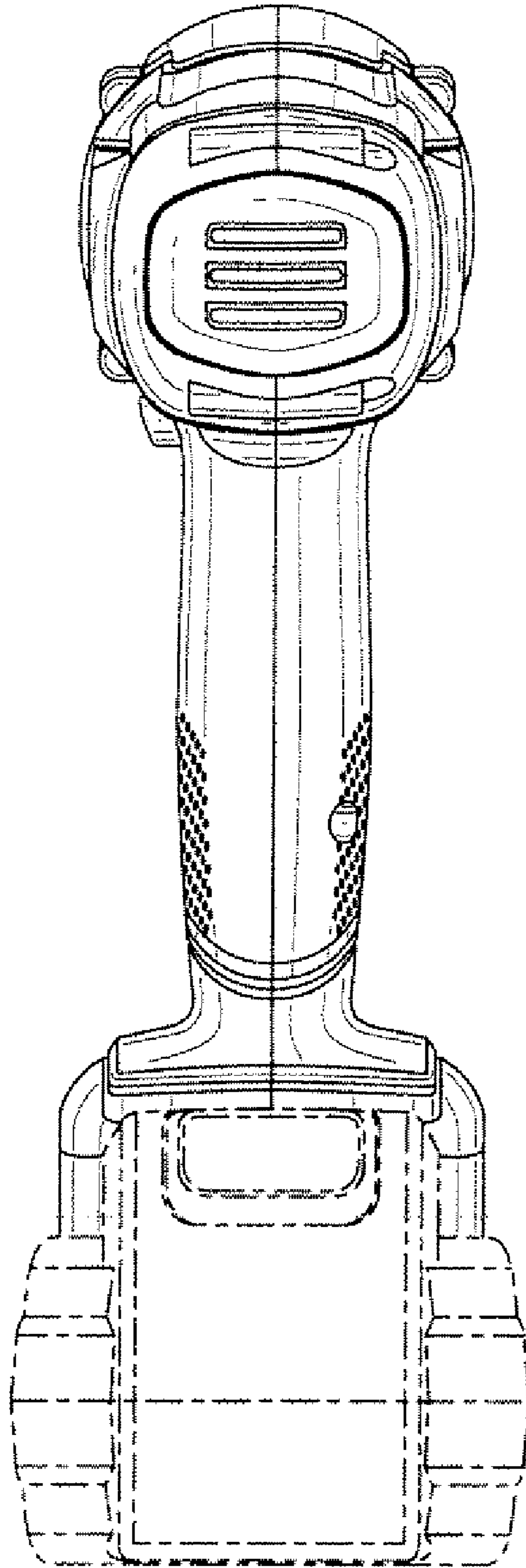


FIG. 10

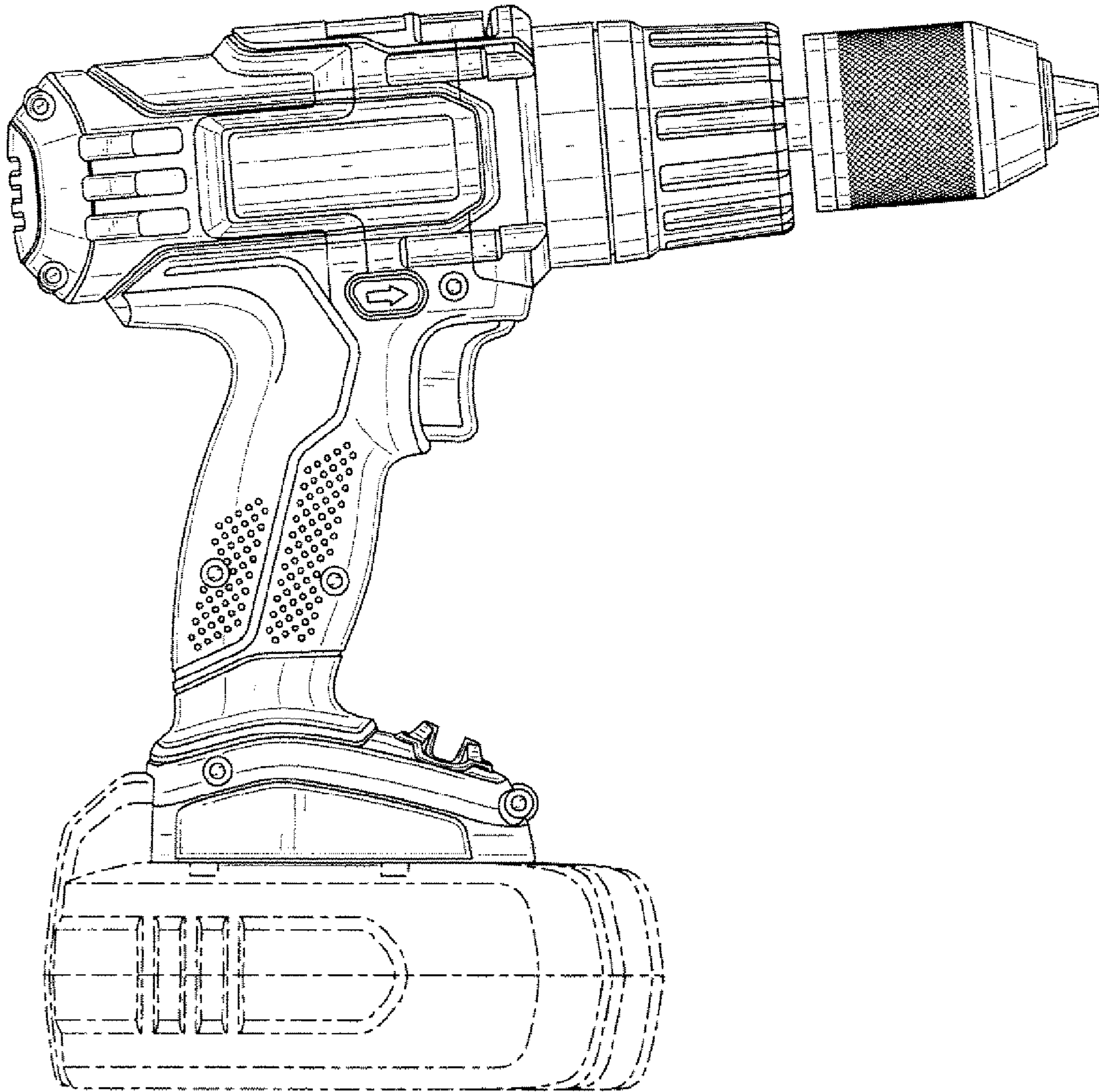


FIG. 11

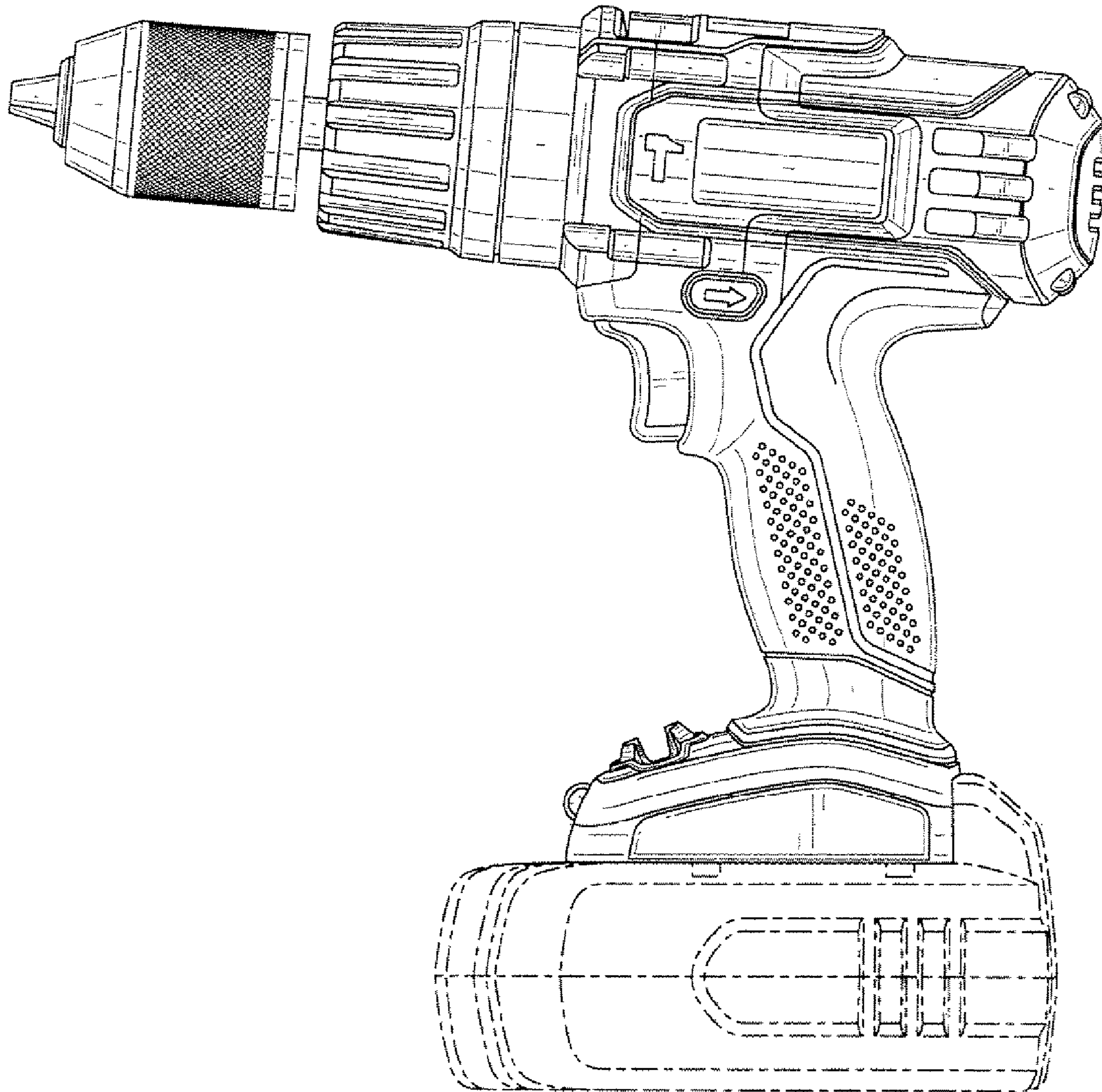


FIG. 12

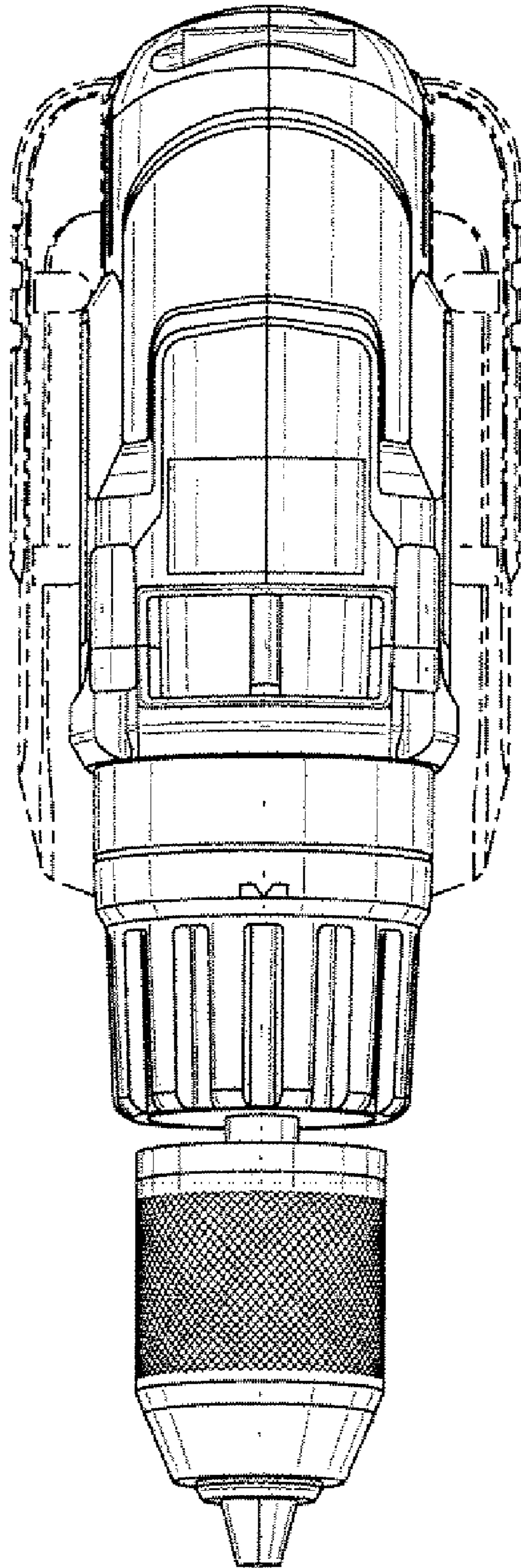


FIG. 13

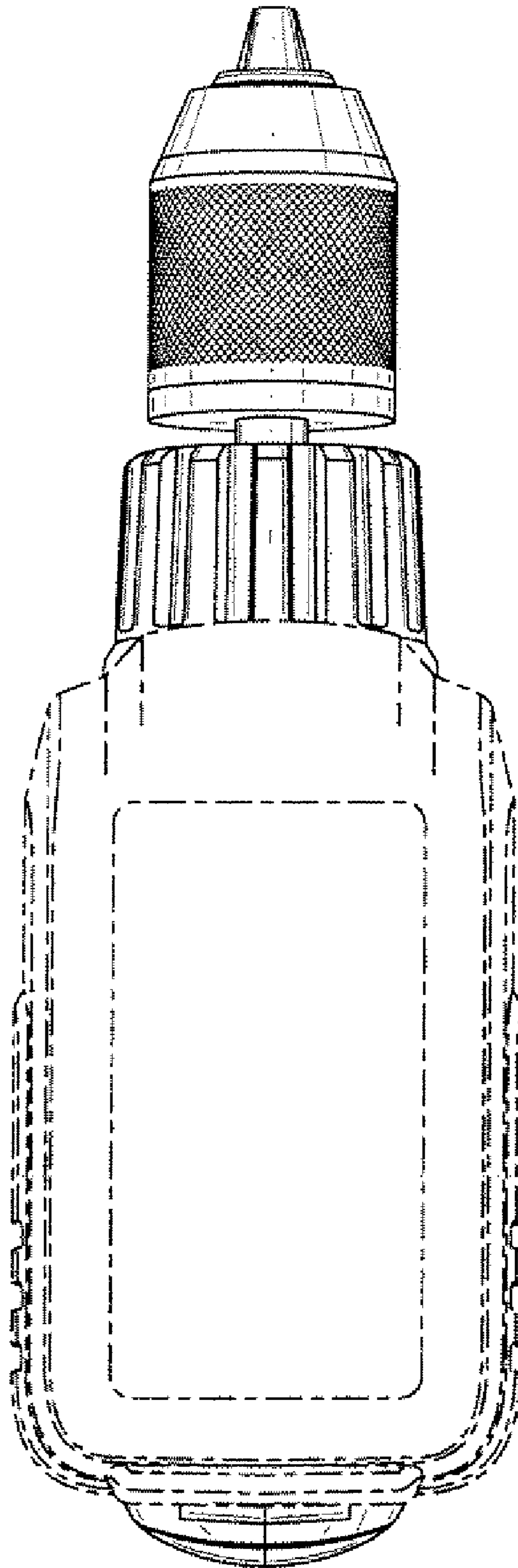


FIG. 14