



US00D587083S

(12) **United States Design Patent**  
**Misaki**

(10) **Patent No.:** **US D587,083 S**  
(45) **Date of Patent:** **\*\* Feb. 24, 2009**

(54) **PORTABLE ELECTRIC DRILL**

(75) Inventor: **Shingo Misaki, Anjo (JP)**

(73) Assignee: **Makita Corporation, Anjo (JP)**

(\*\*) Term: **14 Years**

(21) Appl. No.: **29/309,526**

(22) Filed: **Aug. 27, 2008**

(30) **Foreign Application Priority Data**

Mar. 4, 2008 (JP) ..... 2008-005139

(51) **LOC (9) Cl.** ..... **08-01**

(52) **U.S. Cl.** ..... **D8/68**

(58) **Field of Classification Search** ..... D8/14.1,  
D8/61-70; 81/57.11, 429, 454-456, 469,  
81/489; 173/13, 104, 114, 168-171, 178,  
173/201, 211, 213, 217; 408/20, 124, 125,  
408/234, 241 R; 451/358; 310/50; 227/8,  
227/113, 114, 120, 130, 136, 142

See application file for complete search history.

(56) **References Cited**

**U.S. PATENT DOCUMENTS**

D436,511 S 1/2001 Hayakawa et al.  
6,308,378 B1 \* 10/2001 Mooty et al. .... 310/50

D501,384 S \* 2/2005 Wright et al. .... D8/68  
D510,007 S \* 9/2005 Yamamoto ..... D8/68  
D525,505 S 7/2006 Ito et al.  
D525,848 S \* 8/2006 Kokawa ..... D8/68  
D527,971 S \* 9/2006 Kokawa ..... D8/68  
D533,040 S \* 12/2006 Schoen ..... D8/68  
D539,110 S \* 3/2007 Okuda et al. .... D8/68  
7,410,441 B2 \* 8/2008 Milbourne et al. .... 173/216

\* cited by examiner

*Primary Examiner*—Antoine D Davis

(74) *Attorney, Agent, or Firm*—Oliff & Berridge, PLC

(57) **CLAIM**

The ornamental design for a portable electric drill, as shown and described.

**DESCRIPTION**

FIG. 1 is a perspective view of a portable electric drill showing our new design;

FIG. 2 is a front elevation view thereof;

FIG. 3 is a rear elevation view thereof;

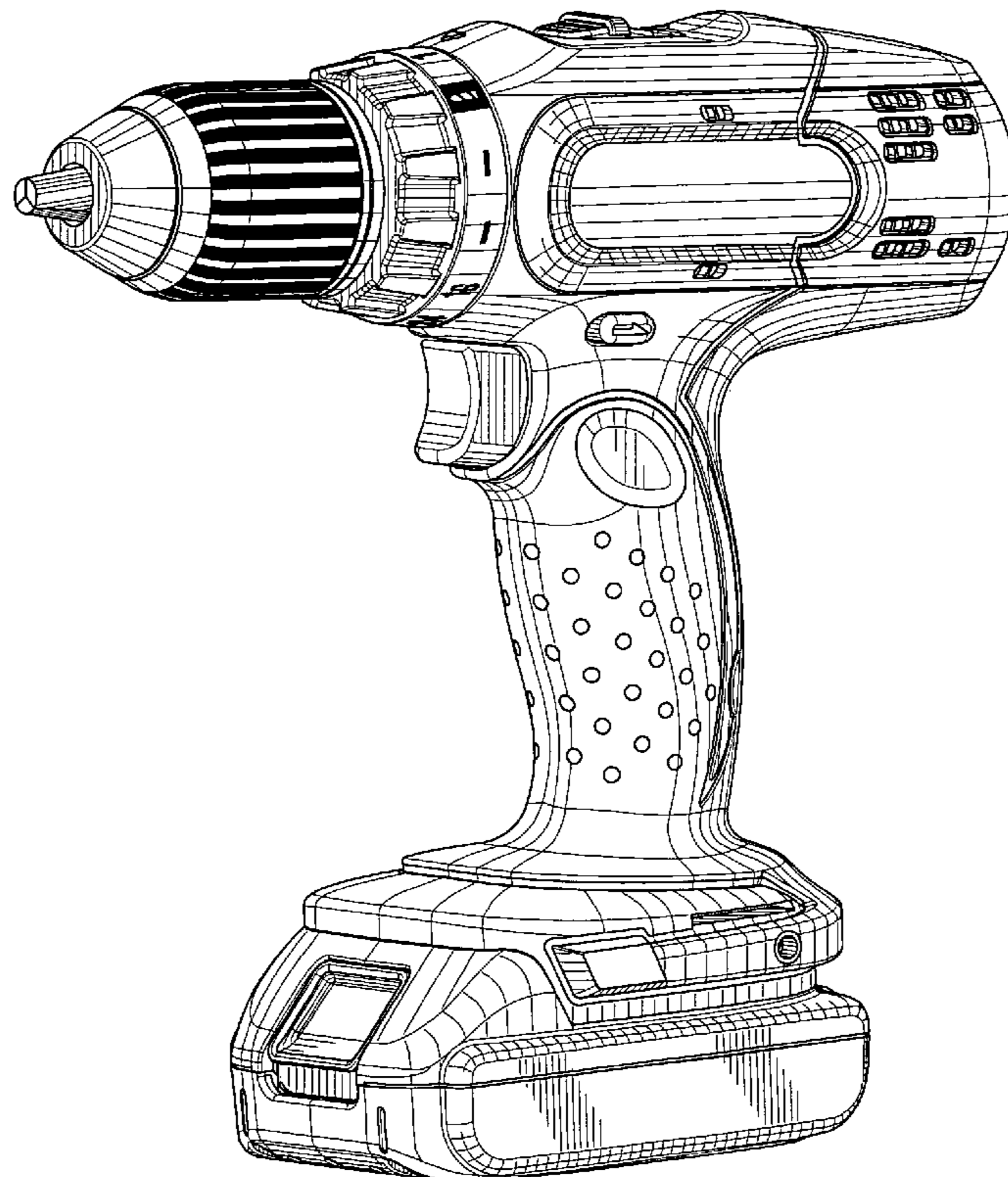
FIG. 4 is a left side elevation view thereof;

FIG. 5 is a right side elevation view thereof;

FIG. 6 is a top plan view thereof; and,

FIG. 7 is a bottom plan view thereof.

**1 Claim, 5 Drawing Sheets**



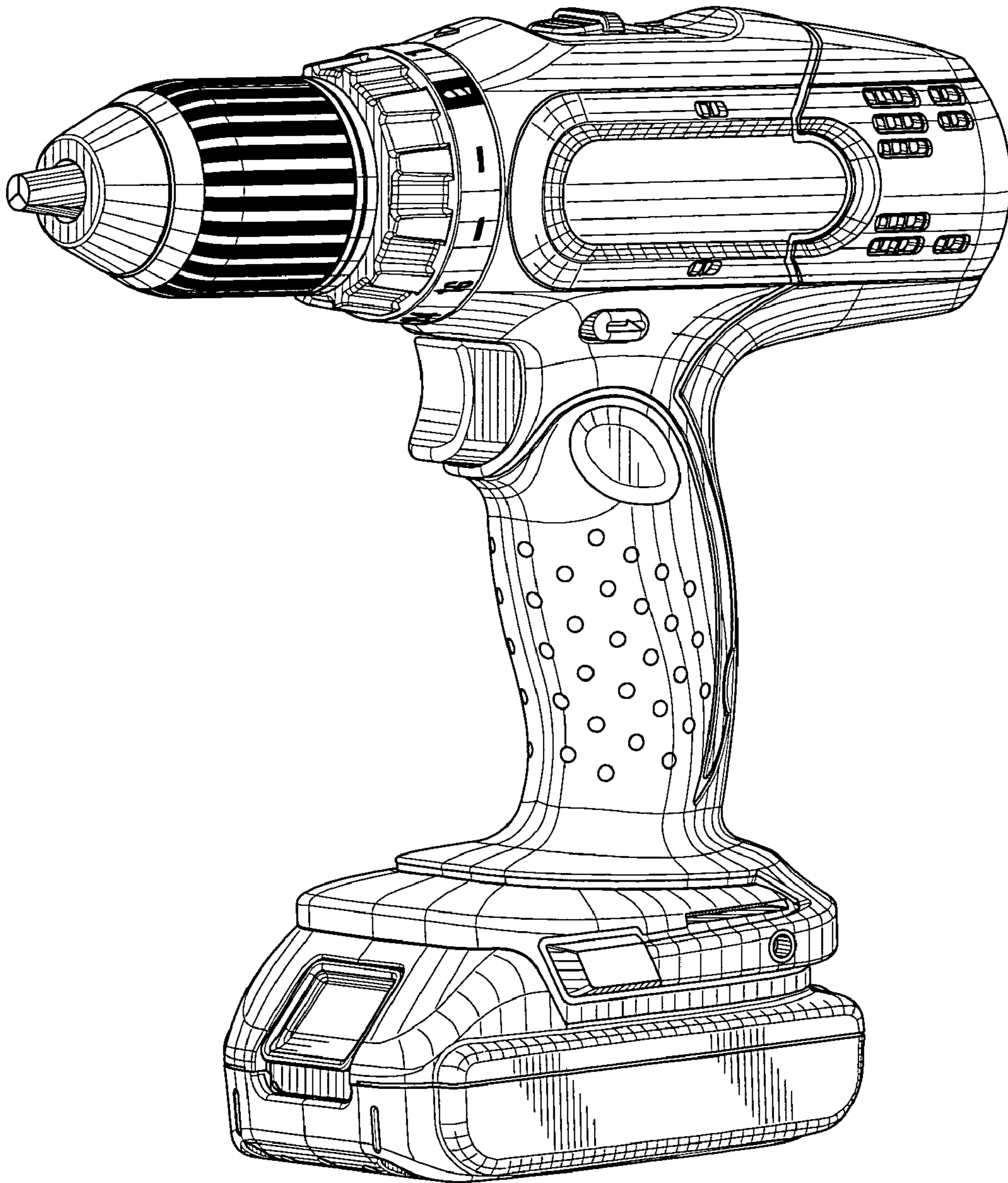


FIG. 1

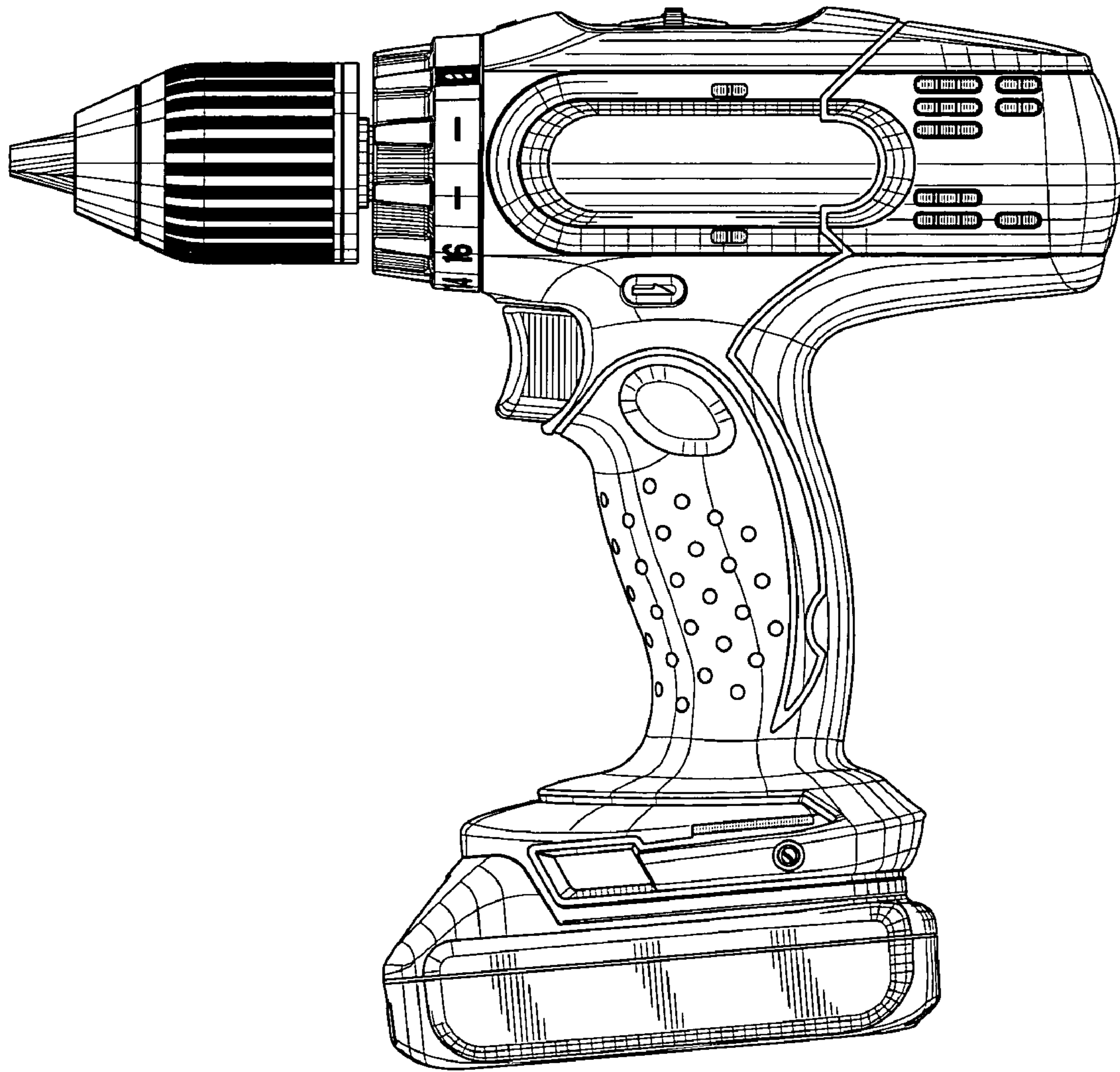


FIG. 2



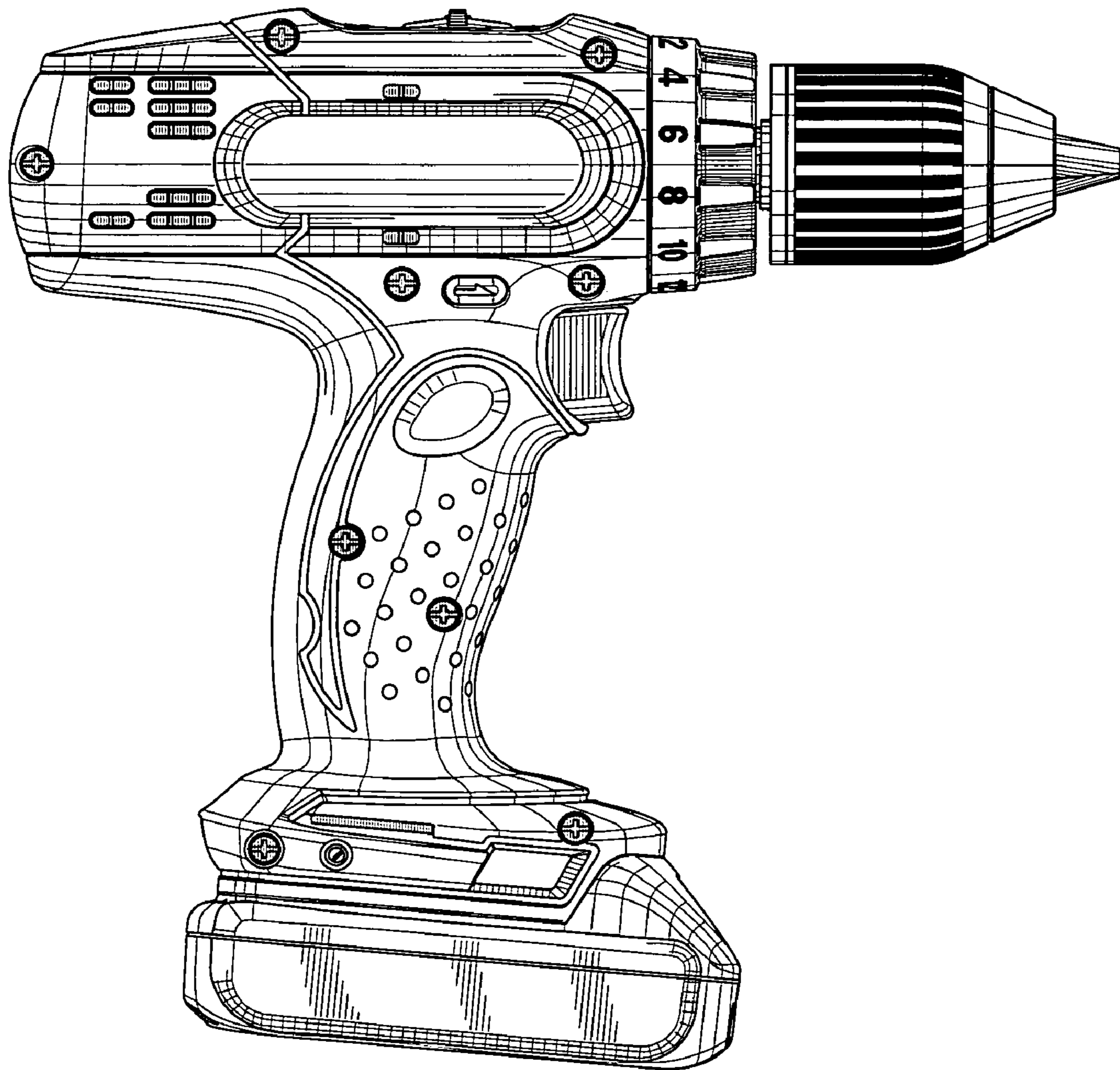


FIG. 3

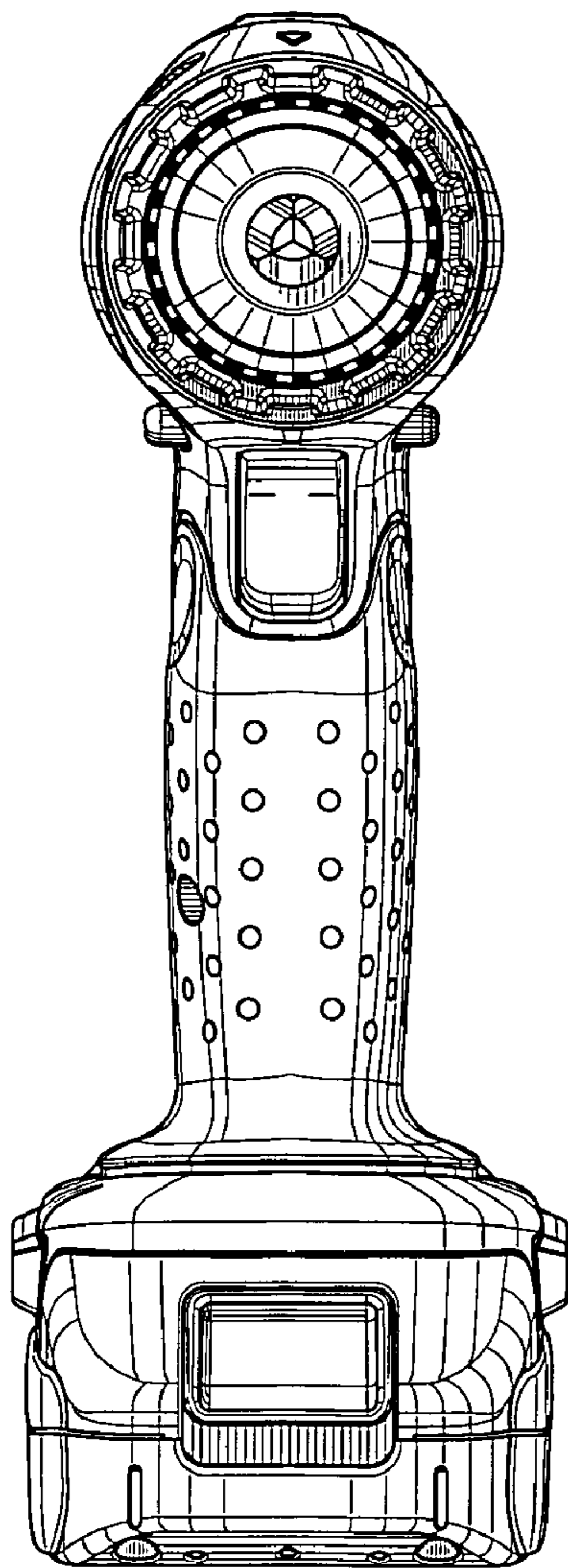


FIG. 4

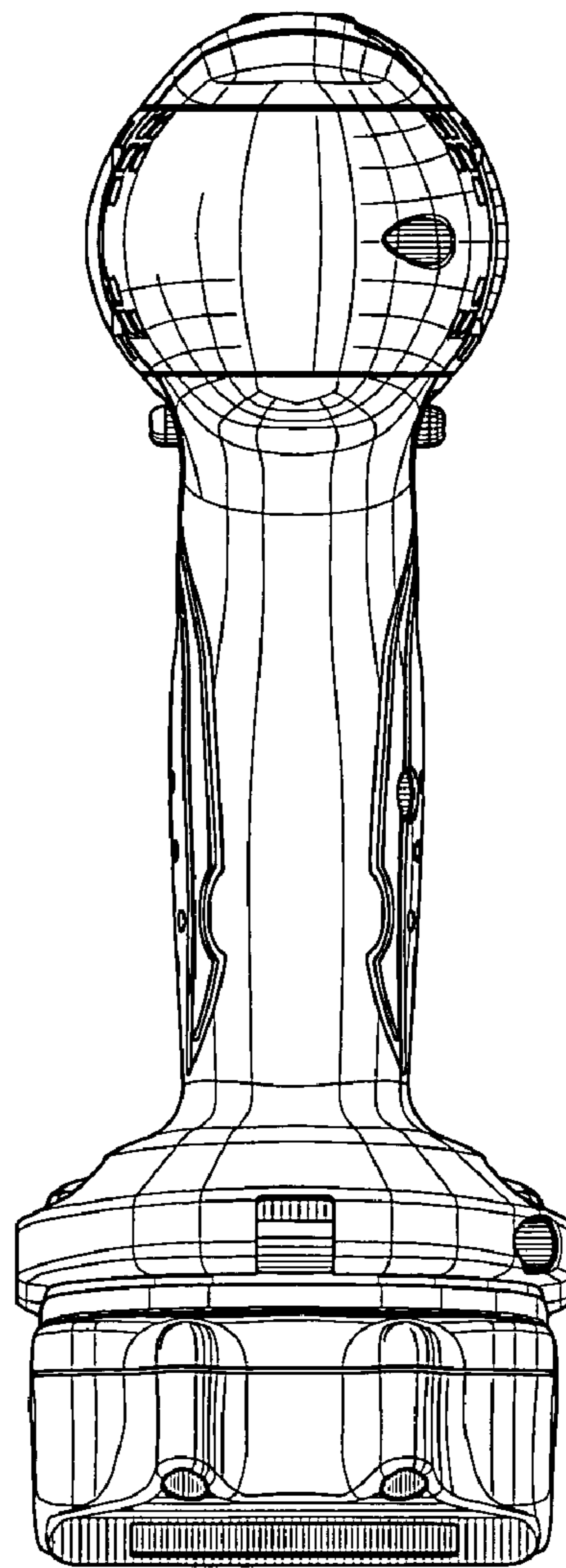


FIG. 5

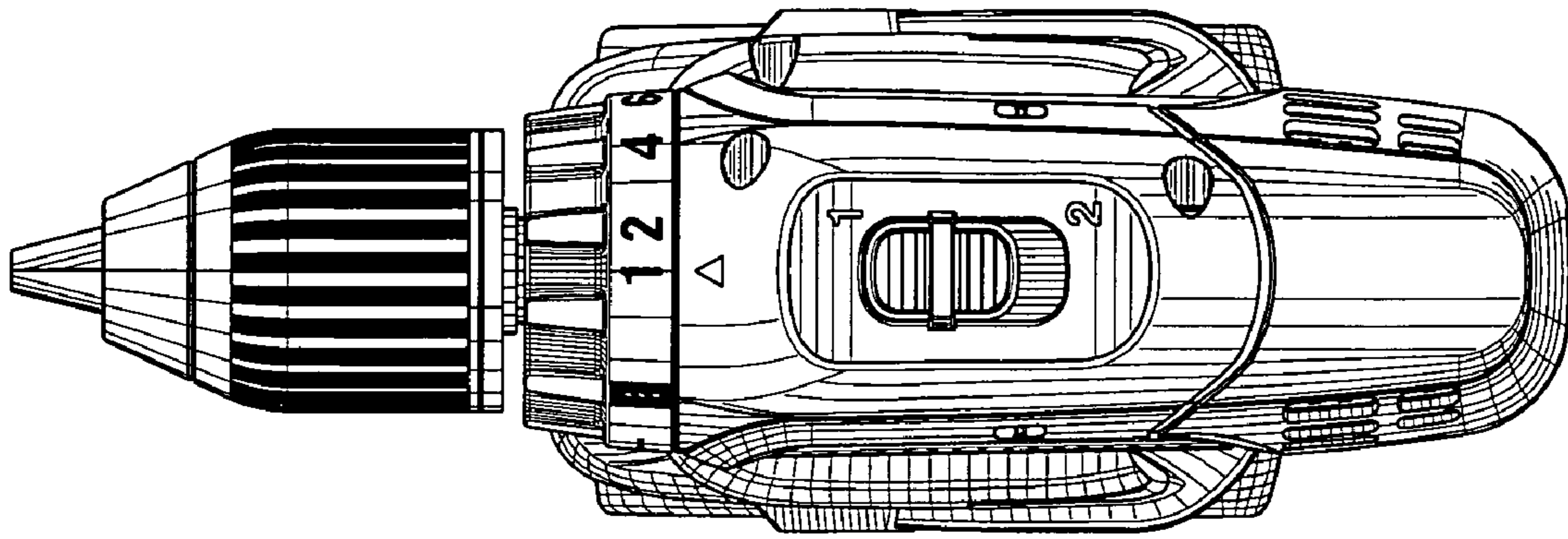


FIG. 6

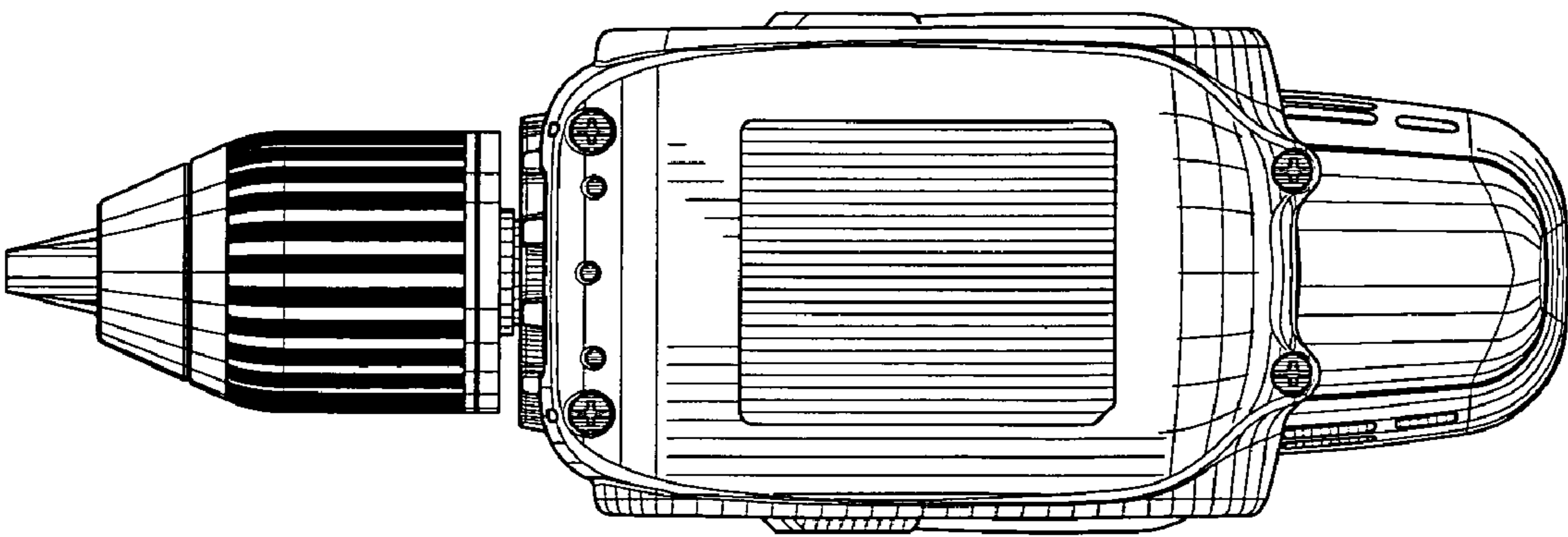


FIG. 7