



US00D587082S

(12) **United States Design Patent**
Seewraj et al.

(10) **Patent No.:** **US D587,082 S**

(45) **Date of Patent:** **** Feb. 24, 2009**

(54) **CORDLESS POWER TOOL**

(75) Inventors: **Angraj Seewraj**, Tewin (GB); **Richard King**, Welwyn (GB)

(73) Assignee: **Avdel Uk Limited** (GB)

(**) Term: **14 Years**

(21) Appl. No.: **29/279,283**

(22) Filed: **Apr. 25, 2007**

(30) **Foreign Application Priority Data**

Dec. 21, 2006 (EM) 000646401-0001

(51) **LOC (9) Cl.** **08-05**

(52) **U.S. Cl.** **D8/68**

(58) **Field of Classification Search** D8/14.1,
D8/61-70; 81/57.11, 429, 454-456, 469,
81/489; 173/13, 104, 114, 168-171, 178,
173/201, 211, 213, 217; 408/20, 124, 125,
408/234, 241 R; 451/358; 310/50; 227/8,
227/113, 114, 120, 130, 136, 142; 29/243.525
See application file for complete search history.

(56) **References Cited**

U.S. PATENT DOCUMENTS

2,808,085 A * 10/1957 Hollien et al. 408/20
2,899,850 A * 8/1959 Selby et al. 173/217
3,898,833 A * 8/1975 Richardson 29/243.525
3,911,304 A * 10/1975 Seely 310/50

D423,896 S * 5/2000 Steiner et al. D8/68
2005/0279517 A1 * 12/2005 Hoffman et al. 227/136

FOREIGN PATENT DOCUMENTS

GB 1033807 S * 12/1985
GB 2082654 S * 10/1998

* cited by examiner

Primary Examiner—Cathy Anne MacCormac

(74) *Attorney, Agent, or Firm*—Trexler, Bushnell,
Giangiorgi, Blackstone & Marr, Ltd.

(57) **CLAIM**

The ornamental design for a cordless power tool, as shown
and described.

DESCRIPTION

FIG. 1 is a left side perspective view of the cordless power
tool in accordance with our invention;

FIG. 2 is a right side perspective view thereof.

FIG. 3 is a left side elevational view thereof;

FIG. 4 is a front view thereof;

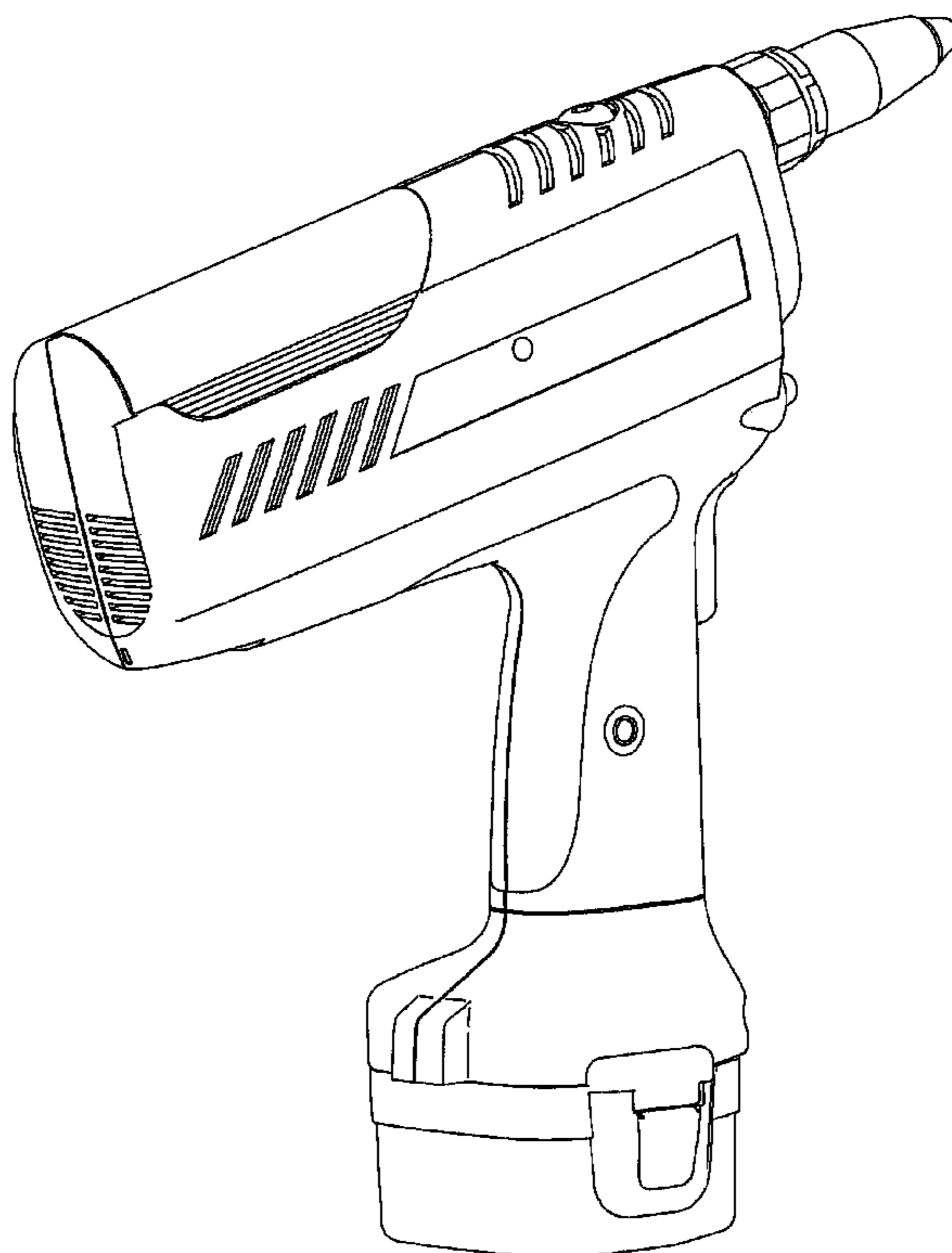
FIG. 5 is a back view thereof;

FIG. 6 is a top plan view thereof; and,

FIG. 7 is a bottom plan view thereof.

The broken lines are for purposes of illustrating portions of
the design that are not claimed. The broken lines and structure
they depict form no part of the claimed design.

1 Claim, 6 Drawing Sheets



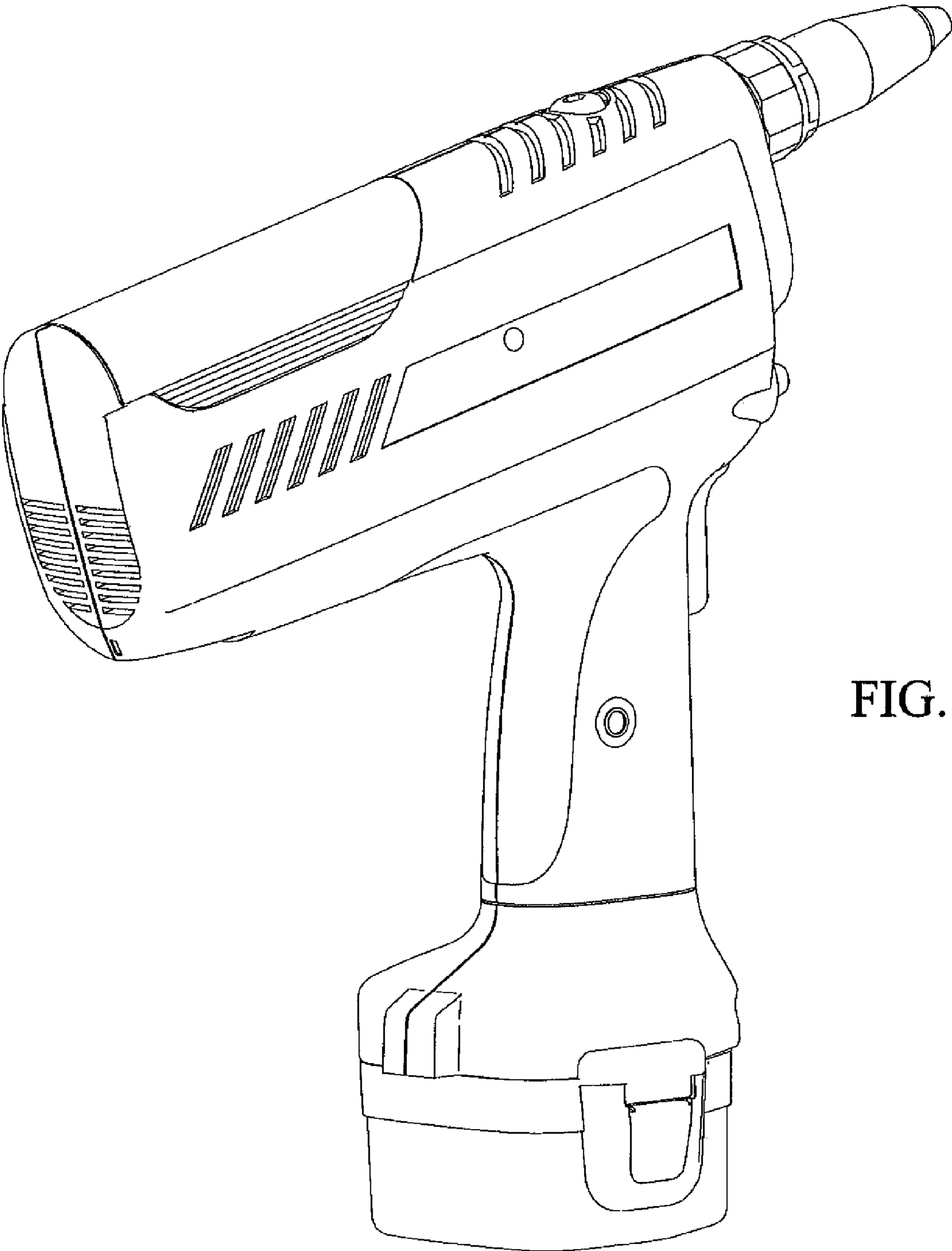


FIG. 1

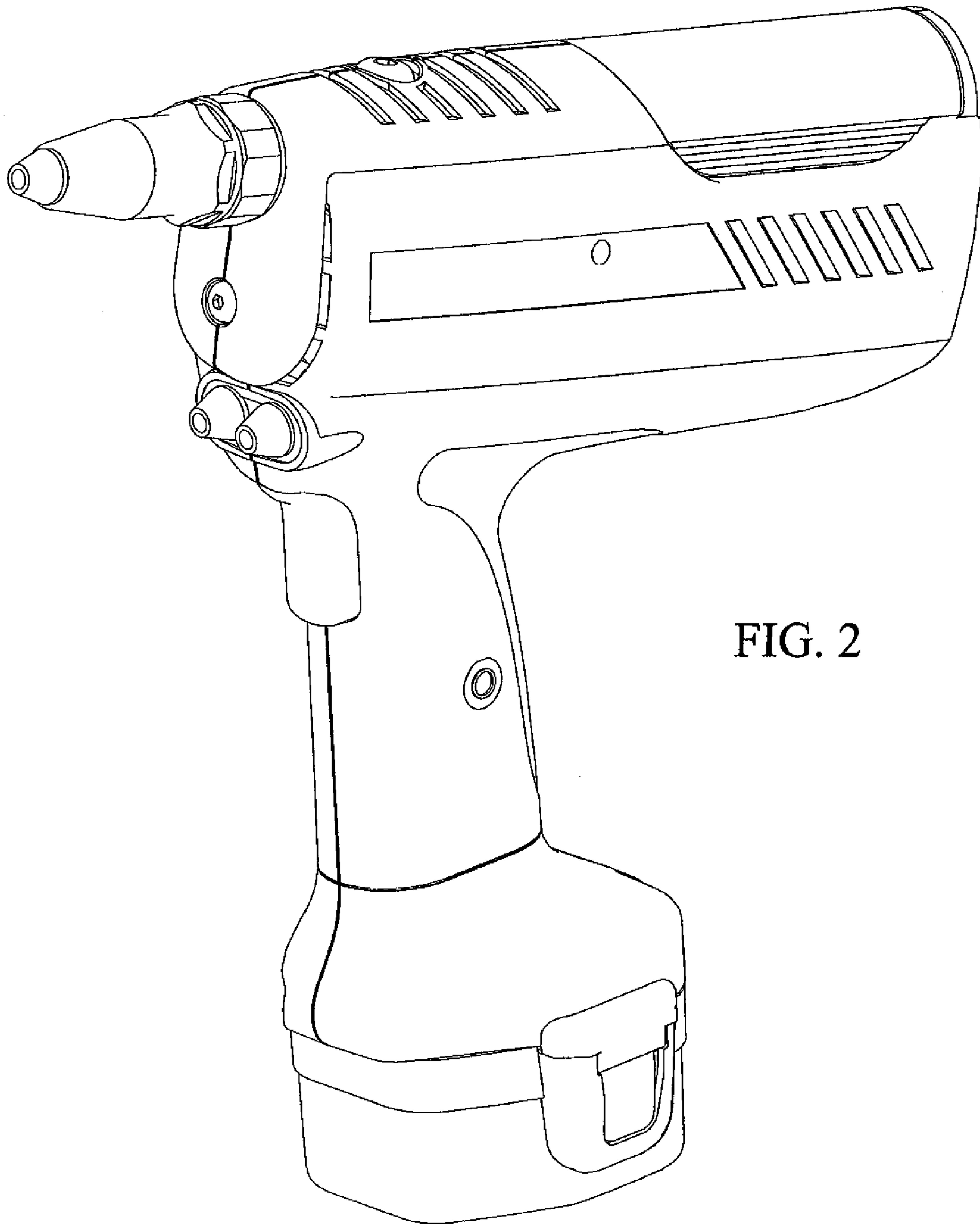


FIG. 2

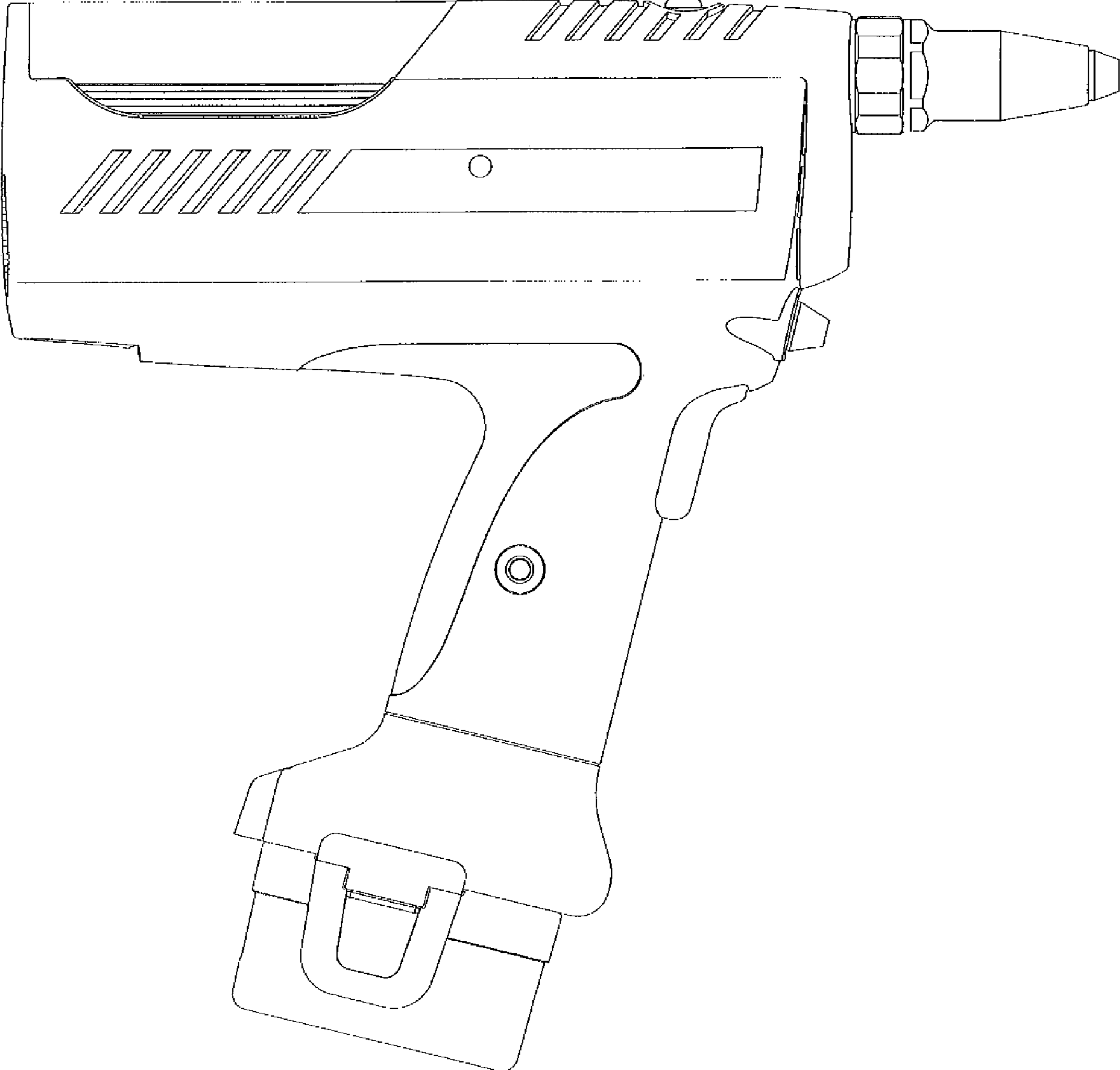


FIG. 3

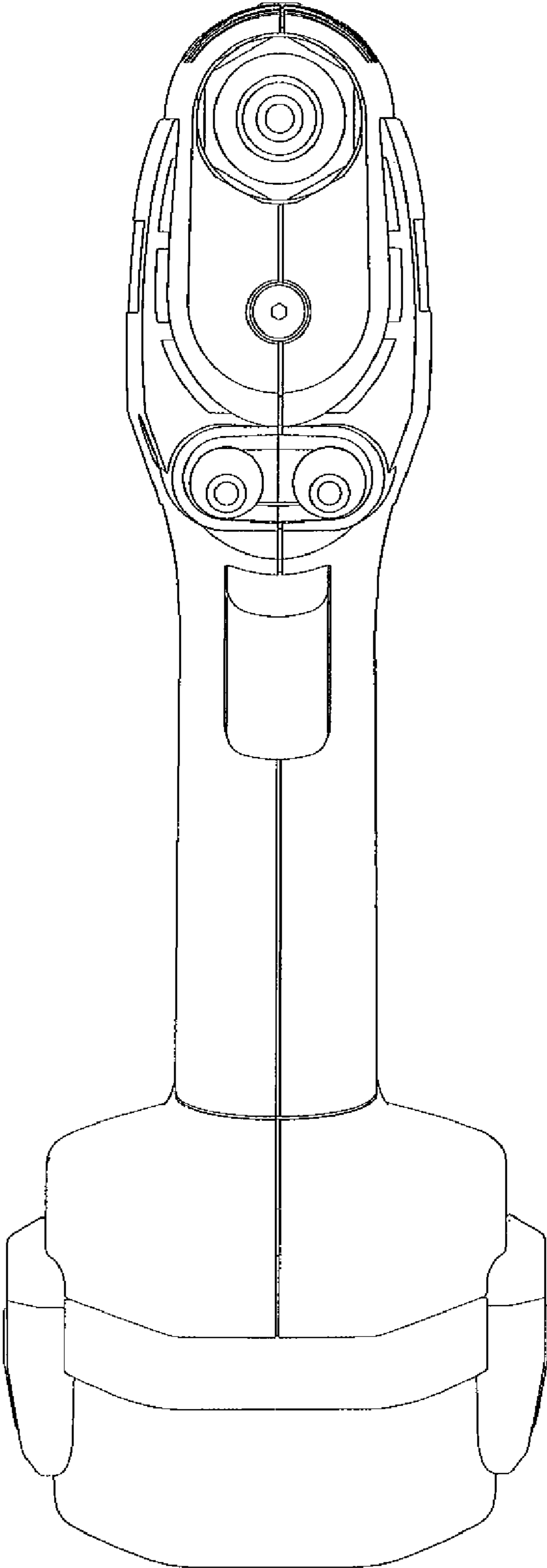


FIG. 4

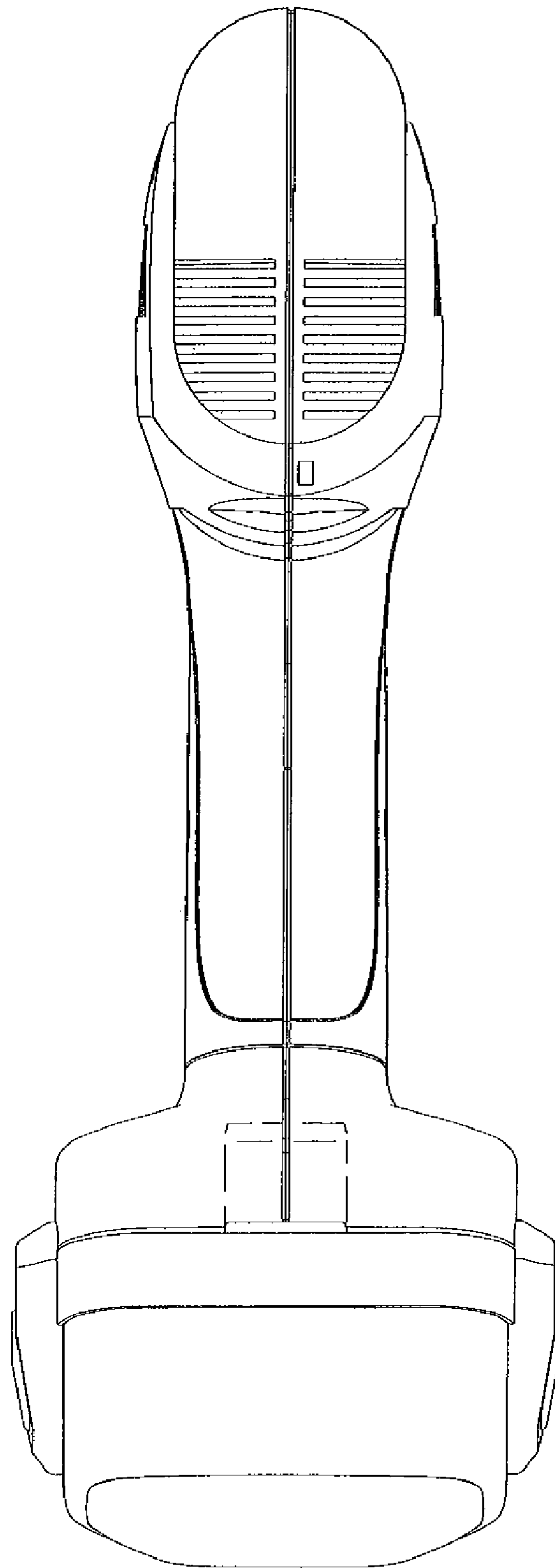


FIG. 5

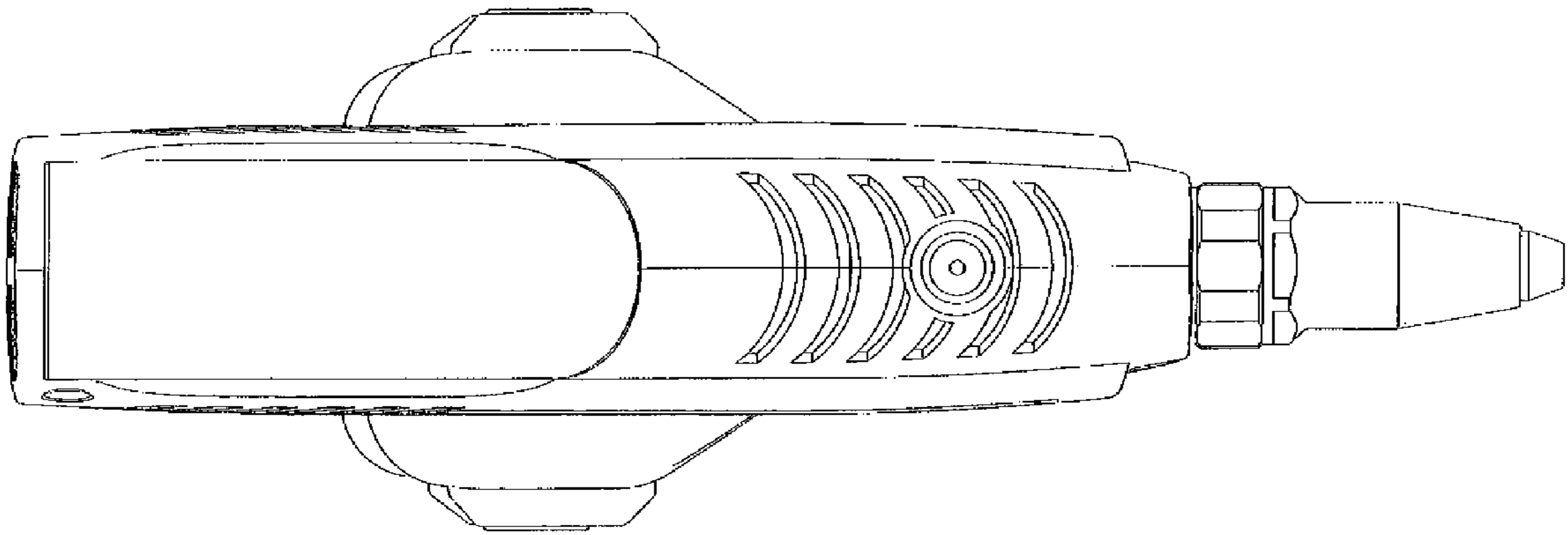


FIG. 6

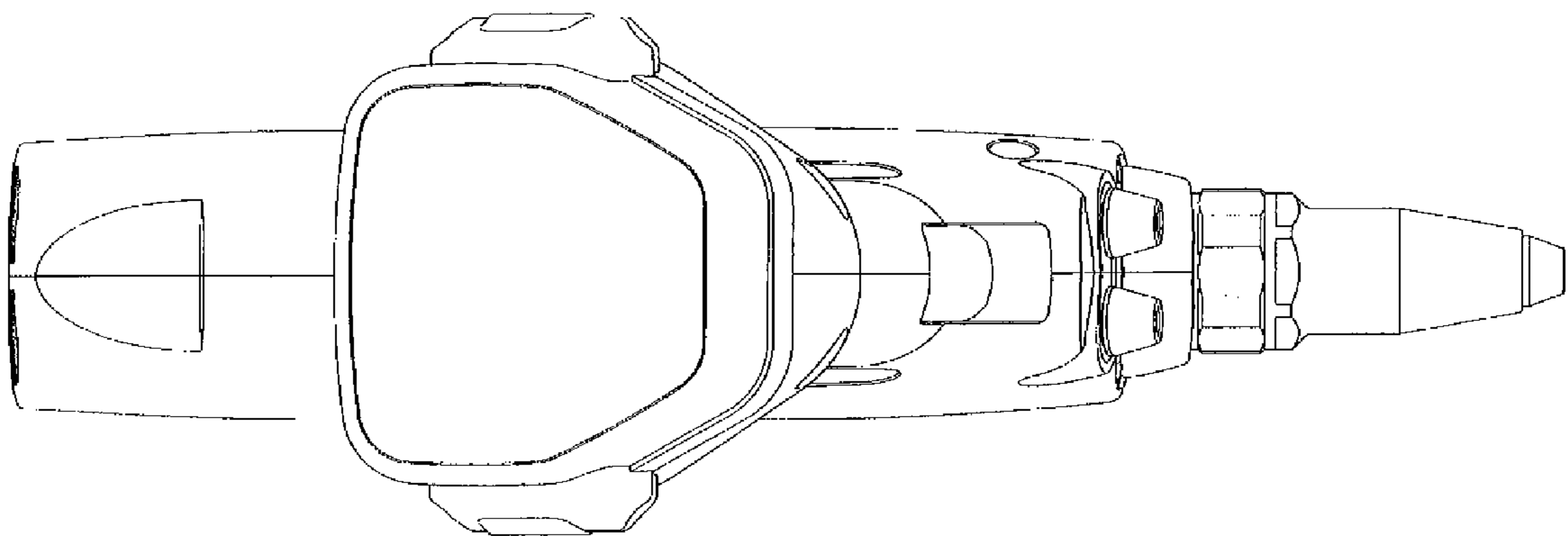


FIG. 7