



US00D587079S

(12) **United States Design Patent**
Alred

(10) **Patent No.:** **US D587,079 S**
(45) **Date of Patent:** **** Feb. 24, 2009**

(54) **CONCRETE AND CEMENT SPREADER**

(76) Inventor: **George Alred**, 7442 Terrace Dr.,
Hudson, FL (US) 34667

(**) Term: **14 Years**

(21) Appl. No.: **29/285,088**

(22) Filed: **Mar. 22, 2007**

(51) **LOC (9) Cl.** **08-05**

(52) **U.S. Cl.** **D8/45**

(58) **Field of Classification Search** D8/1,
D8/11, 14, 45; D6/300, 310, 311, 462, 491;
211/196, 198, 206, 119.01; 404/97; 15/235.4,
15/235.8

See application file for complete search history.

(56) **References Cited**

U.S. PATENT DOCUMENTS

2,018,890	A *	10/1935	Heltzel	15/235.4
3,082,460	A *	3/1963	Haivala	15/235.4
D240,794	S *	8/1976	Marx	D8/45
4,702,641	A *	10/1987	Naser et al.	404/97
4,722,637	A	2/1988	Glesmann		
D324,980	S *	3/1992	Owens	D8/45

D327,616	S *	7/1992	Owens	D8/45
5,609,437	A	3/1997	Silva		
5,676,489	A *	10/1997	Willhoite	404/93
6,695,531	B1	2/2004	Prescott		
D495,524	S *	9/2004	Harwanko	D6/410
7,000,877	B2 *	2/2006	Wang	248/219.3

* cited by examiner

Primary Examiner—Philip S Hyder

(57) **CLAIM**

The ornamental design for a concrete and cement spreader, as shown and described.

DESCRIPTION

FIG. 1 is a top plan view of a concrete and cement spreader showing my new design;

FIG. 2 is a rear elevational view thereof;

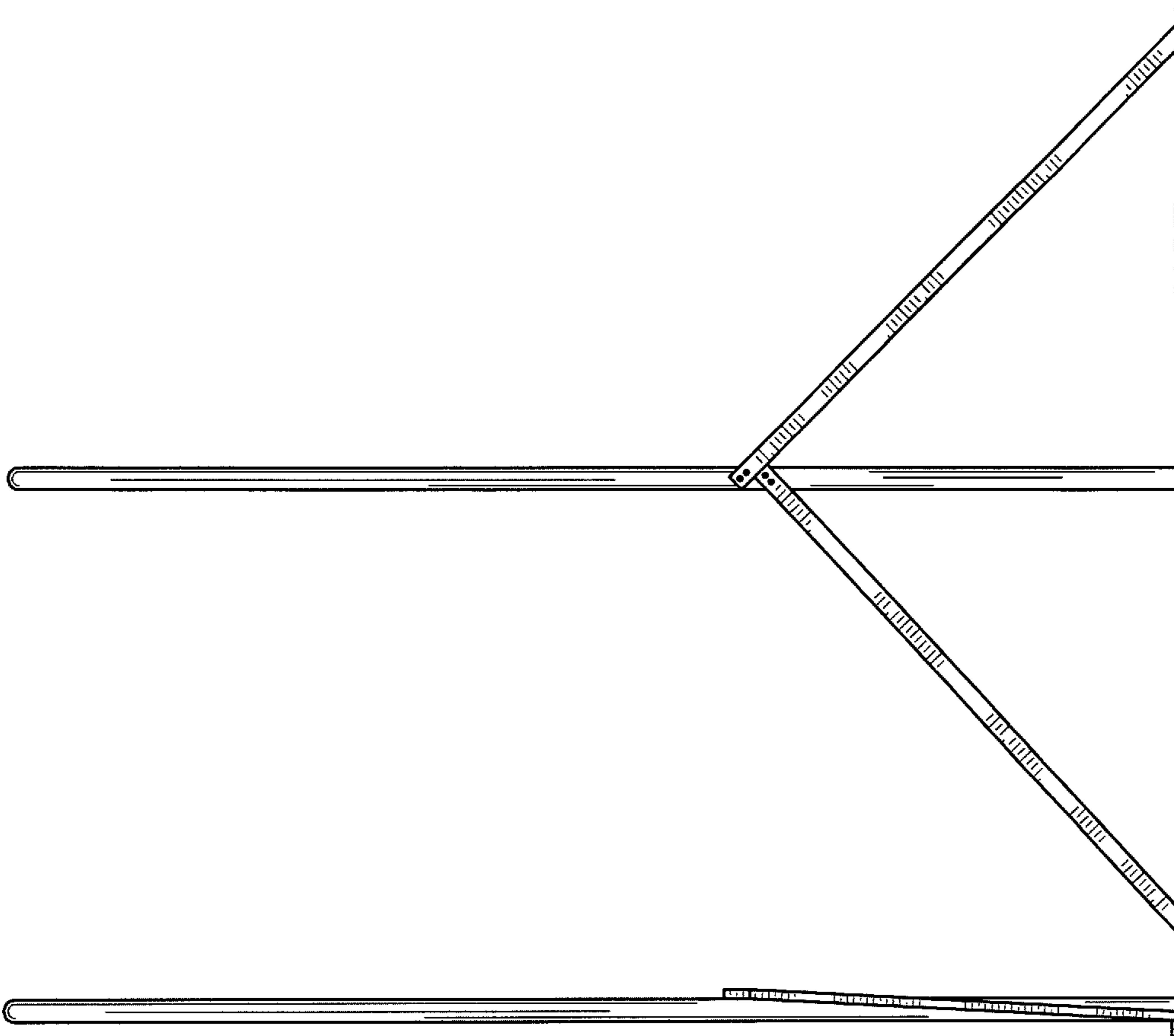
FIG. 3 is a right side elevational view thereof;

FIG. 4 is a bottom plan view thereof;

FIG. 5 is a front elevational view thereof; and,

FIG. 6 is a left side elevational view thereof.

1 Claim, 6 Drawing Sheets



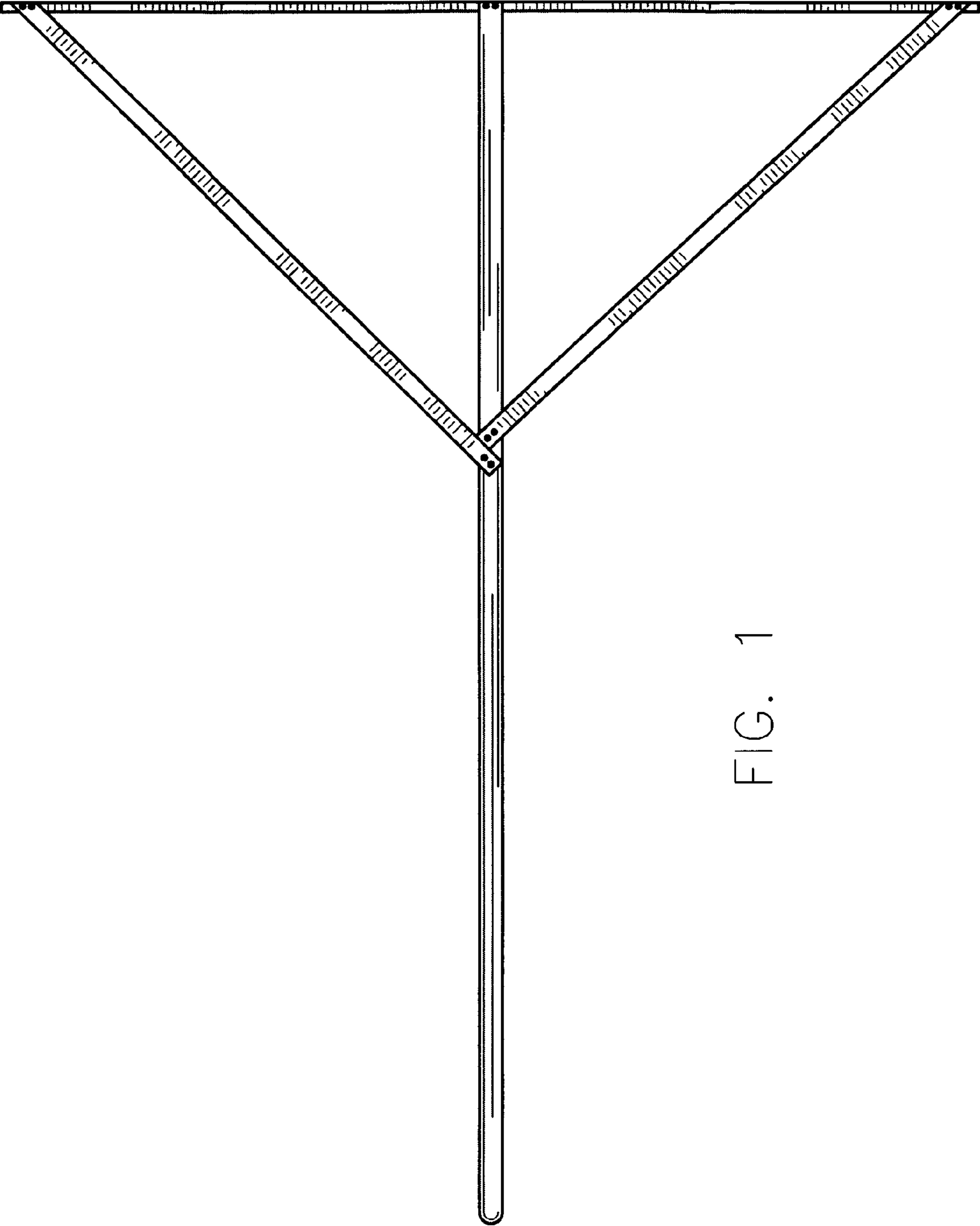


FIG. 1



FIG. 2

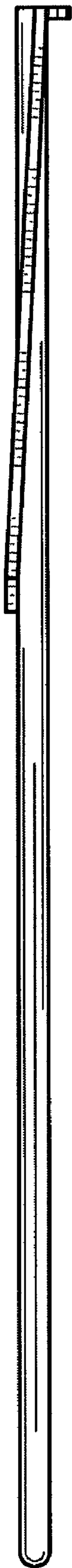


FIG. 3

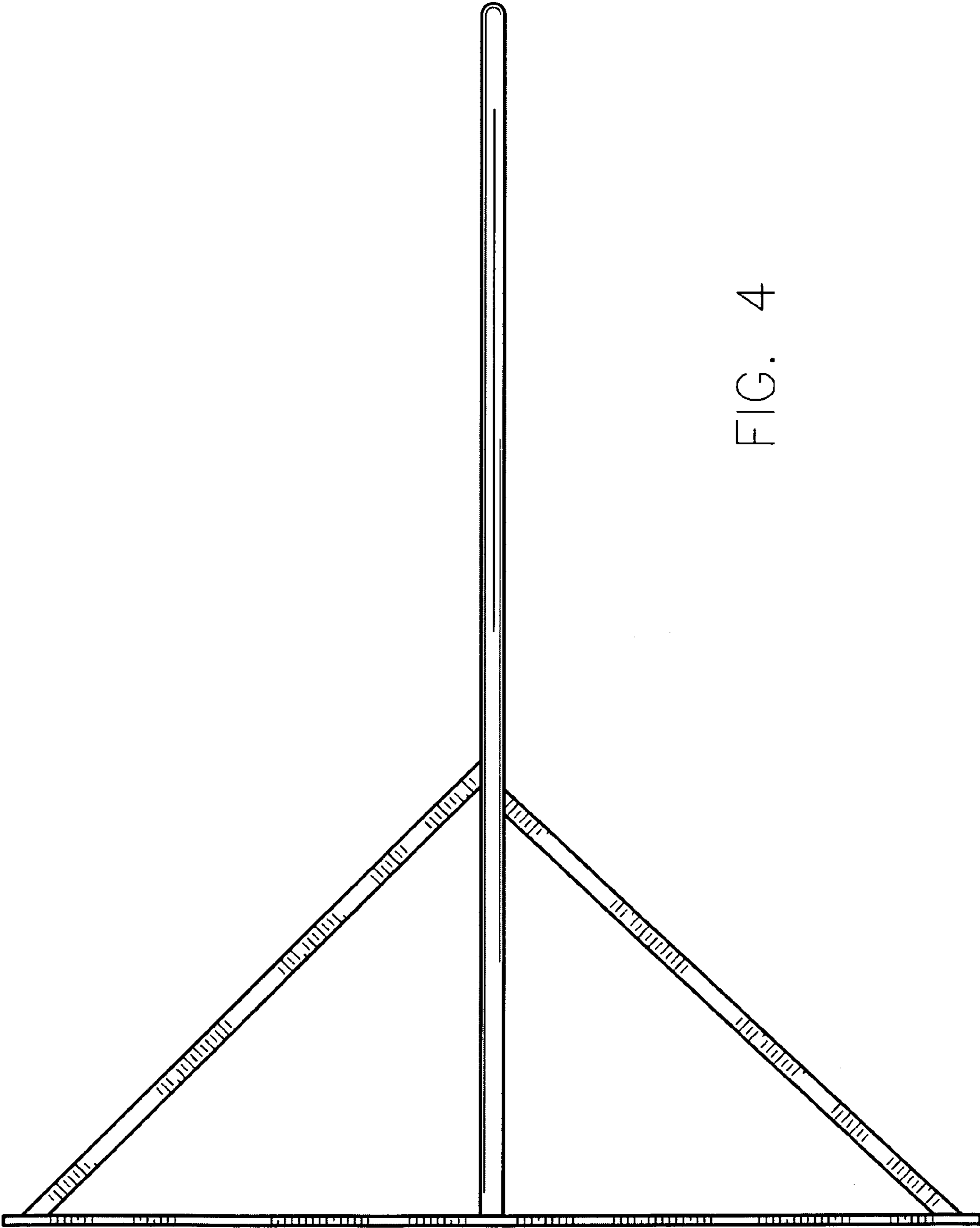


FIG. 4



FIG. 5



FIG. 6