

US00D587078S

(12) **United States Design Patent**
Garman

(10) **Patent No.:** **US D587,078 S**

(45) **Date of Patent:** **** Feb. 24, 2009**

(54) **CAN OPENER**

(75) Inventor: **Michael Garman**, Midlothian, VA (US)

(73) Assignee: **Hamilton Beach Brands, Inc.**, Glen Allen, VA (US)

(**) Term: **14 Years**

(21) Appl. No.: **29/299,816**

(22) Filed: **Jan. 4, 2008**

(51) **LOC (9) Cl.** **07-99**

(52) **U.S. Cl.** **D8/36**

(58) **Field of Classification Search** D8/16-19,
D8/21, 27, 33-43, 88, 105, 300, 307; D21/301,
D21/385, 386, 388; 7/113, 151-156; 30/400-410,
30/416-430, 433, 434, 443, 450; 81/3.07,
81/3.09, 3.27, 3.4, 3.55

See application file for complete search history.

(56) **References Cited**

U.S. PATENT DOCUMENTS

1,581,958 A	4/1926	Killman
1,887,152 A	11/1932	Geisler
1,919,866 A	7/1933	Schact
2,003,983 A	6/1935	Thener
2,015,565 A	9/1935	Loeber
2,023,975 A	12/1935	Qualey
2,083,788 A	6/1937	Loeber
2,246,649 A	6/1941	West
2,291,294 A	7/1942	Holste
2,508,921 A	5/1950	Leitch
2,554,410 A	5/1951	Horton
2,924,878 A	2/1960	Brown
D190,861 S	7/1961	Hart
D194,280 S	12/1962	Connors

3,153,853 A	10/1964	Lipton
D201,754 S	7/1965	Reed
D202,268 S	9/1965	Reed
D211,260 S	6/1968	Reed
3,589,216 A	6/1971	Wise et al.
3,639,983 A	2/1972	Knipfing
3,942,247 A	3/1976	Ponczek et al.

(Continued)

Primary Examiner—Caron Veynar

Assistant Examiner—Garth Rademaker

(74) *Attorney, Agent, or Firm*—Panitch Schwarze Belisario & Nadel LLP

(57) **CLAIM**

The ornamental design for a can opener, as shown and described.

DESCRIPTION

FIG. 1 is a top perspective view of a can opener in accordance with our new design;

FIG. 2 is a front elevational view of the can opener shown in FIG. 1;

FIG. 3 is a rear elevational view of the can opener shown in FIG. 1;

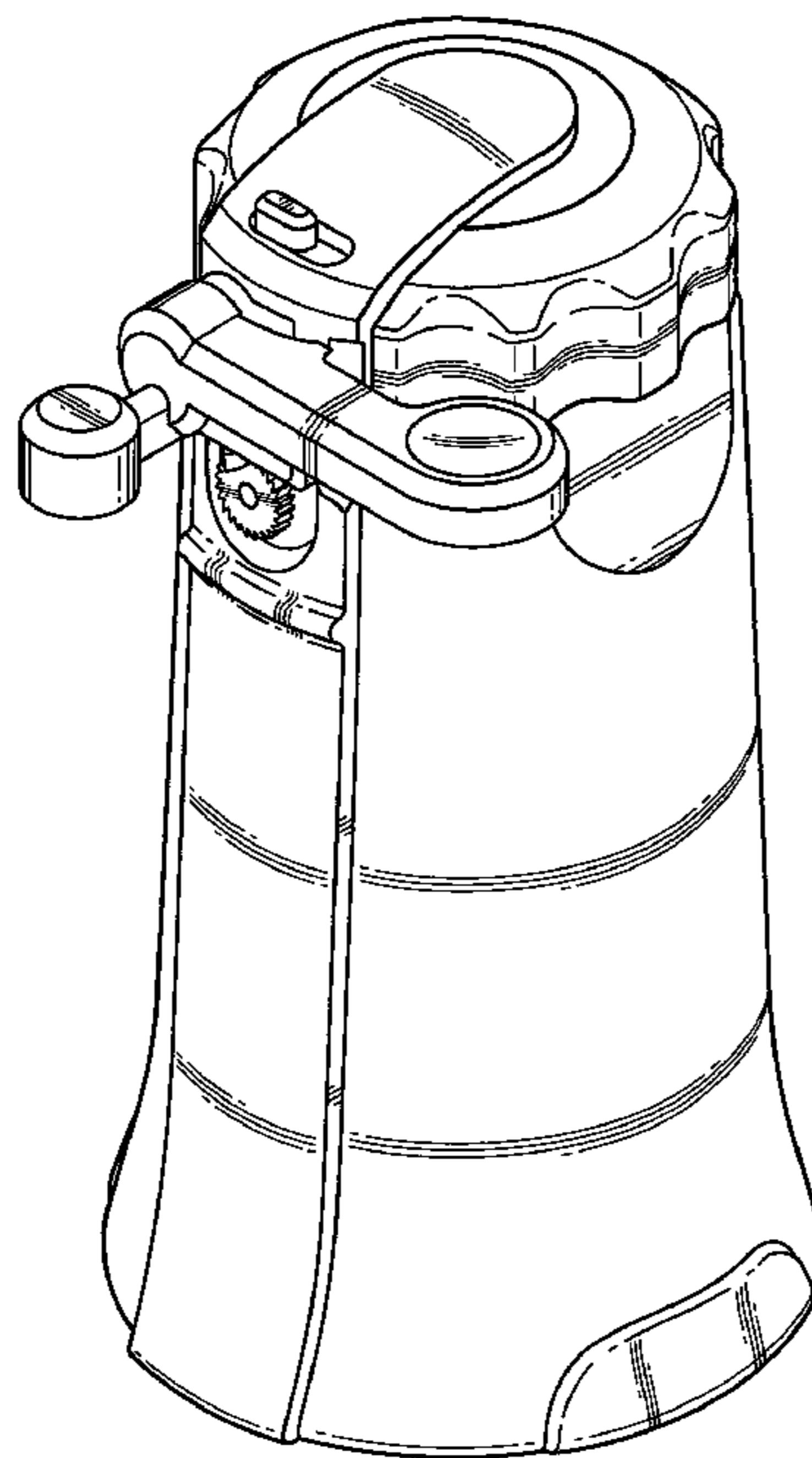
FIG. 4 is a top plan view of the can opener shown in FIG. 1;

FIG. 5 is a bottom plan view of the can opener shown in FIG. 1;

FIG. 6 is a right-side elevational view of the can opener shown in FIG. 1; and,

FIG. 7 is a left-side elevational view of the can opener shown in FIG. 1.

1 Claim, 6 Drawing Sheets



US D587,078 S

Page 2

U.S. PATENT DOCUMENTS

3,950,081 A	4/1976	Morrison	
4,001,904 A	1/1977	Gill	
D243,819 S *	3/1977	Avise et al.	D8/36
D261,854 S	11/1981	Nielsen	
4,327,490 A	5/1982	Hoskins	
4,334,332 A	6/1982	Downs	
4,389,780 A	6/1983	Ostroski et al.	
D273,555 S *	4/1984	Tanner	D8/40
4,455,894 A	6/1984	Roberts	
D277,160 S	1/1985	Antone	
4,530,154 A	7/1985	DiCarlo	
4,846,024 A	7/1989	Bryant et al.	
D308,468 S *	6/1990	Littmann et al.	D8/36
4,941,373 A	7/1990	Jobmann	
D311,668 S	10/1990	Bryant et al.	
4,967,622 A	11/1990	Phillips	
4,979,407 A	12/1990	Hernandez et al.	
D324,157 S *	2/1992	Gildersleve	D8/35
D324,158 S *	2/1992	Gildersleve	D8/36
5,127,161 A	7/1992	Ikeda	
D336,023 S	6/1993	Alpers	
5,313,708 A *	5/1994	Edwards et al.	30/417
D384,561 S *	10/1997	Carbone	D8/36
D388,674 S	1/1998	McCloskey et al.	
5,833,285 A	11/1998	Venezia	
D408,235 S	4/1999	Alonge et al.	
D417,129 S *	11/1999	Brady et al.	D8/35
D428,564 S *	7/2000	Kao	D7/374
6,105,468 A	8/2000	Fohrman et al.	
D435,767 S	1/2001	Hoatling et al.	
D447,923 S *	9/2001	Taylor et al.	D8/40
D468,979 S	1/2003	Picozza et al.	
D514,403 S	2/2006	Wolf	
D515,390 S	2/2006	Scimone	
7,004,049 B2	2/2006	So	
D520,313 S	5/2006	Miller	
D524,612 S	7/2006	Wakasugi	
7,069,815 B1	7/2006	Yu	
7,213,284 B2	5/2007	Huang et al.	
D543,824 S	6/2007	Lee	
7,240,589 B2	7/2007	Kehoe	
7,168,337 B2	1/2008	Carmo	
2005/0252343 A1	11/2005	Turner	
2007/0056405 A1	3/2007	Cohen	
2007/0079670 A1	4/2007	Chaconas et al.	
2007/0157765 A1	7/2007	Neiser et al.	
2007/0163122 A1	7/2007	Grosh et al.	
2007/0175049 A1	8/2007	Goode et al.	

* cited by examiner

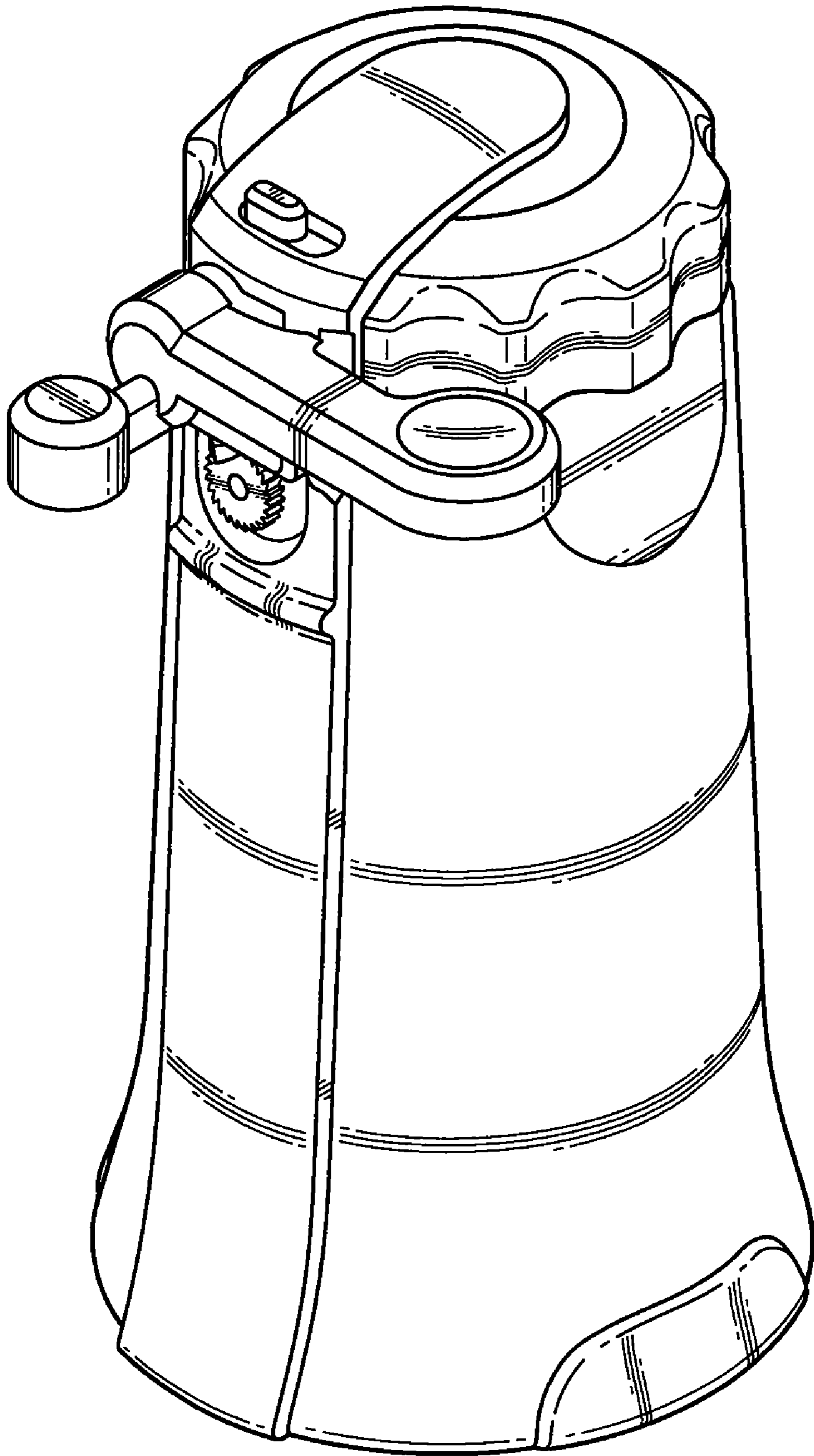


FIG. 1

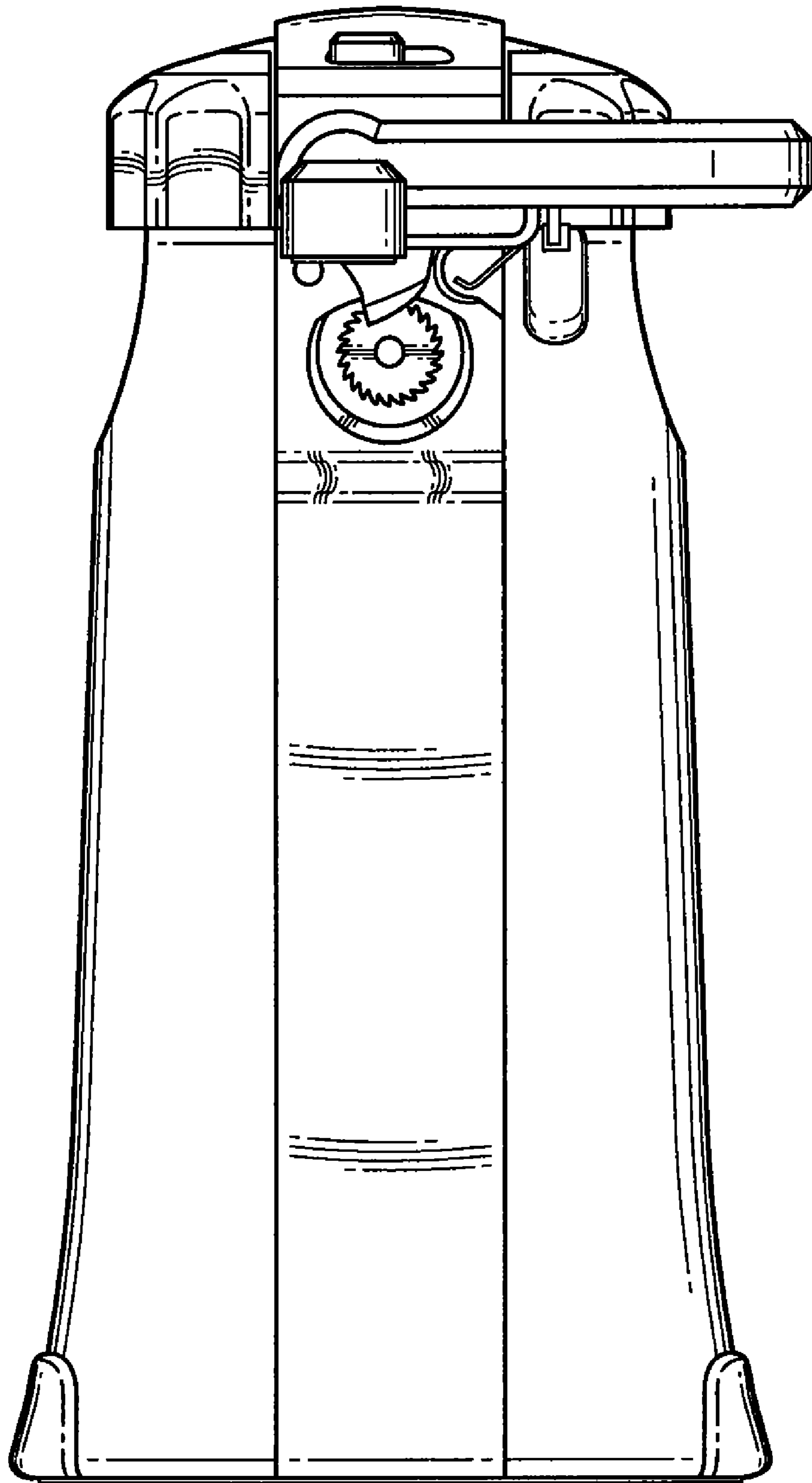


FIG. 2

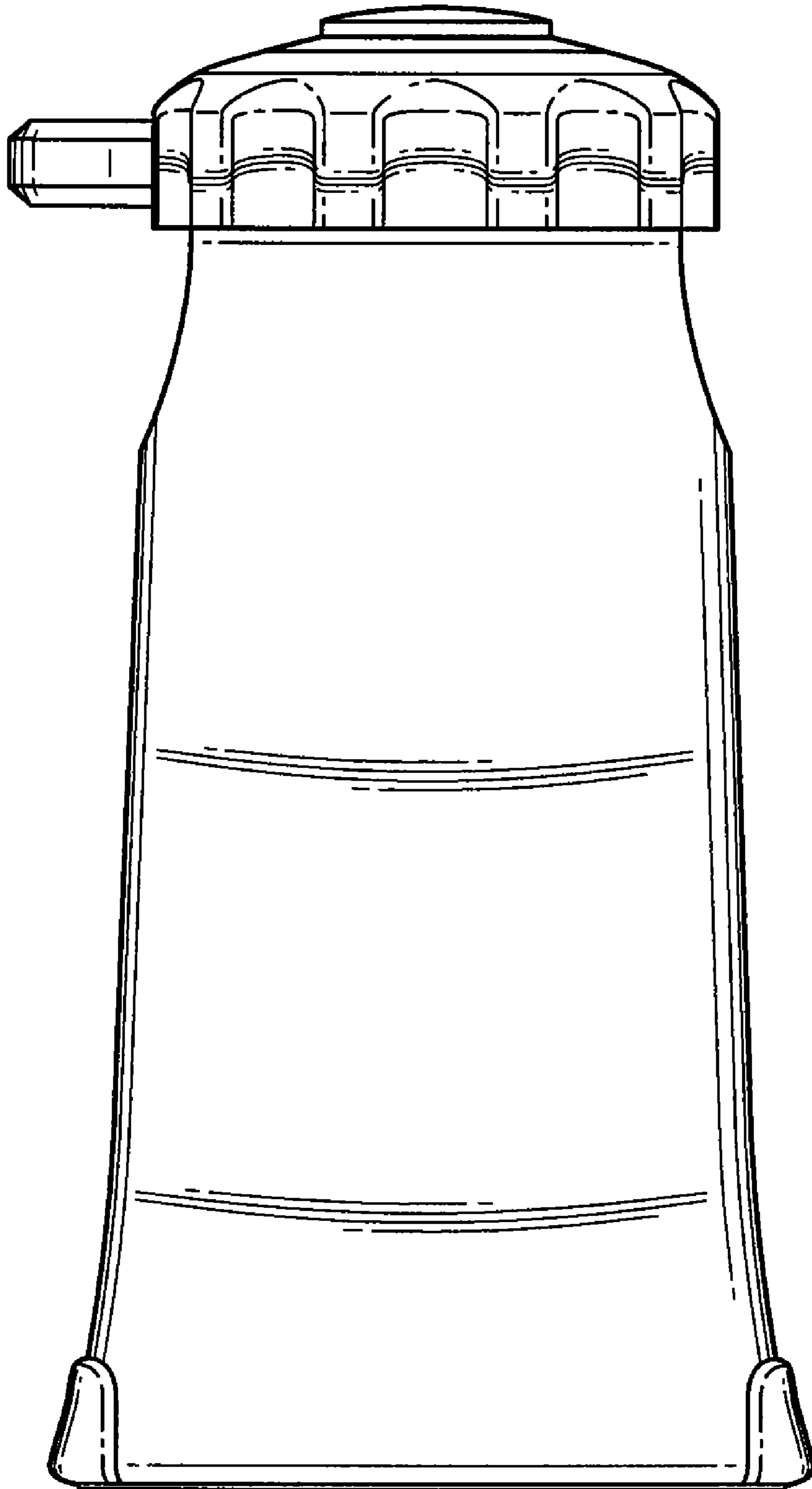


FIG. 3

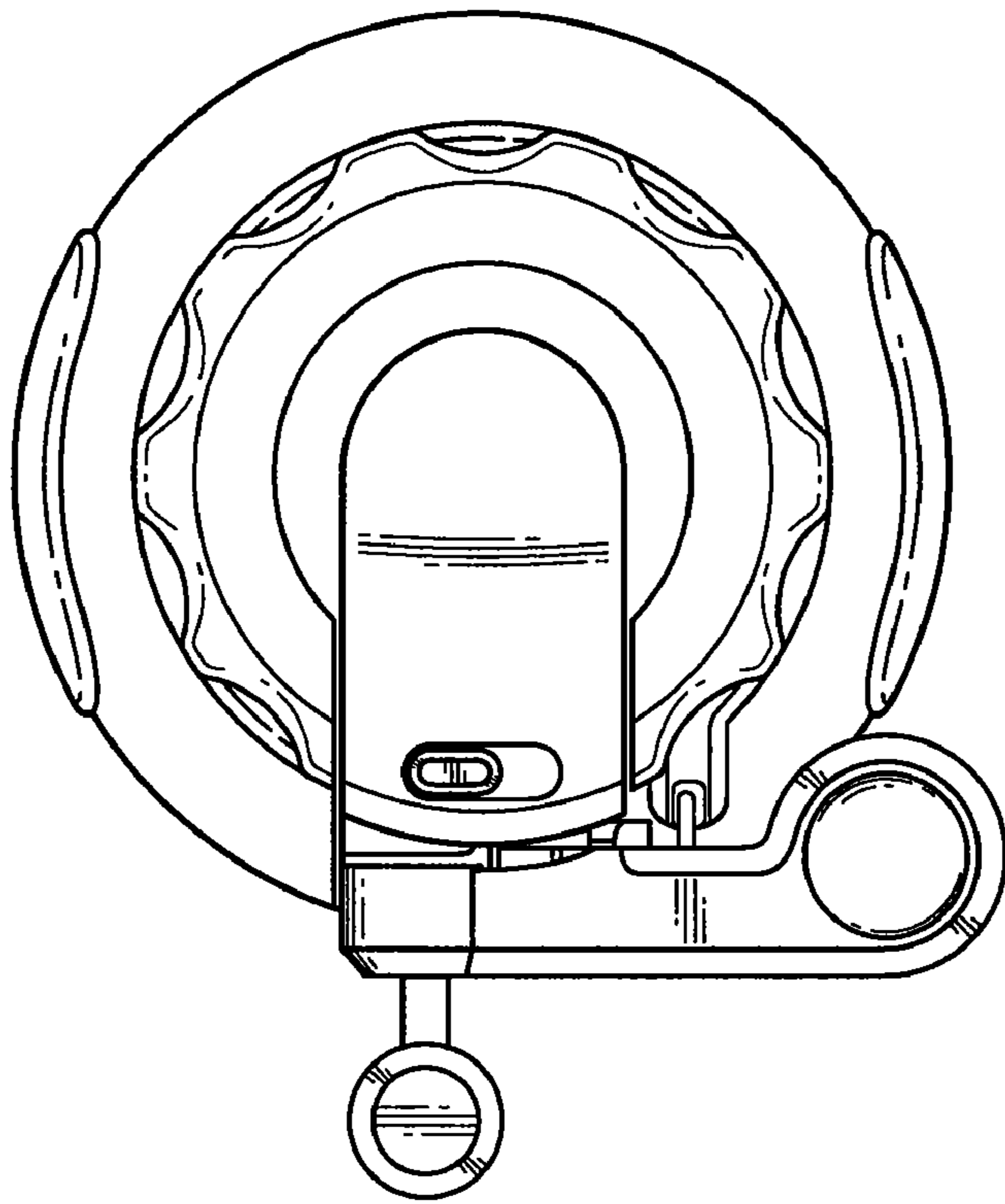


FIG. 4

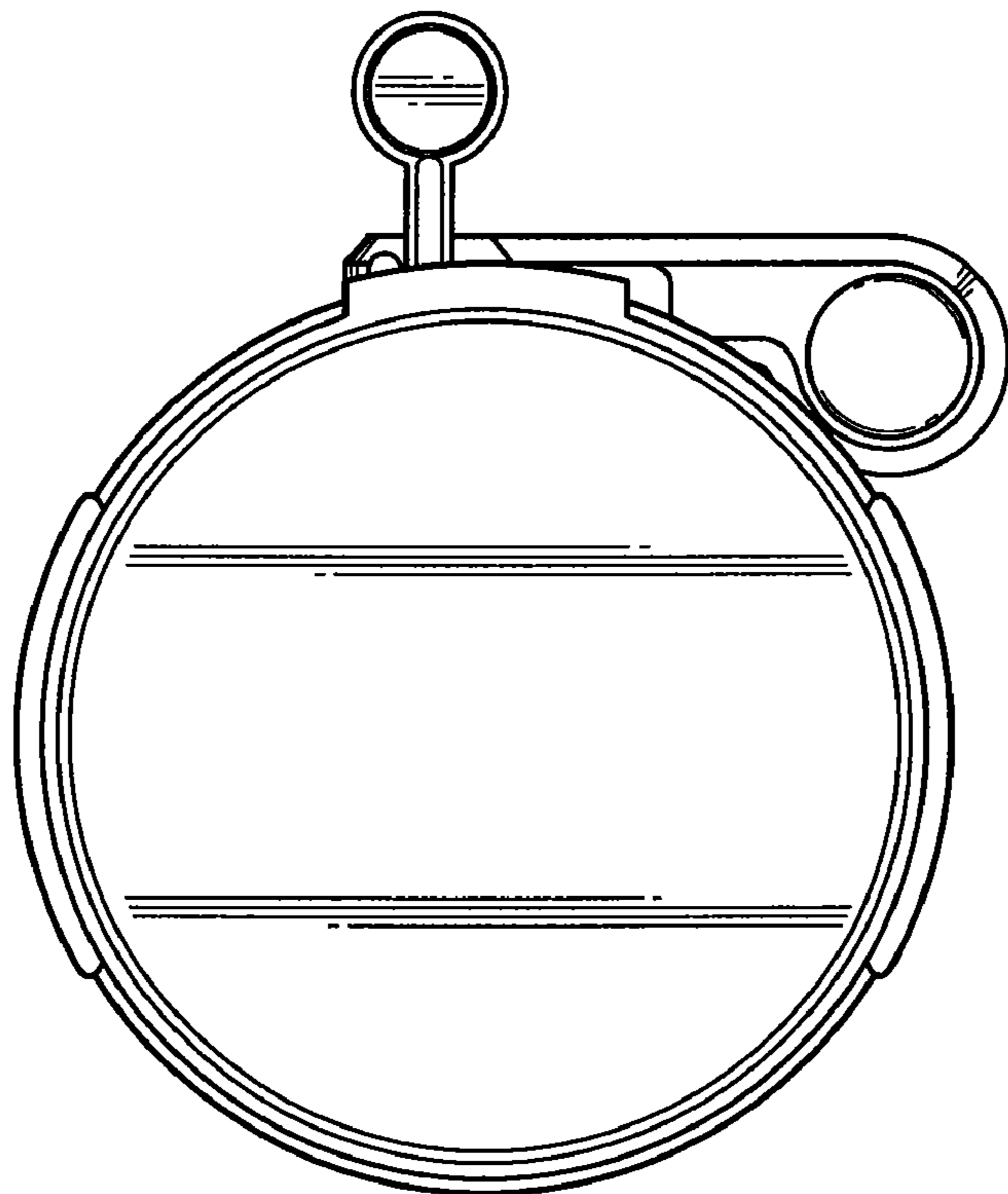


FIG. 5

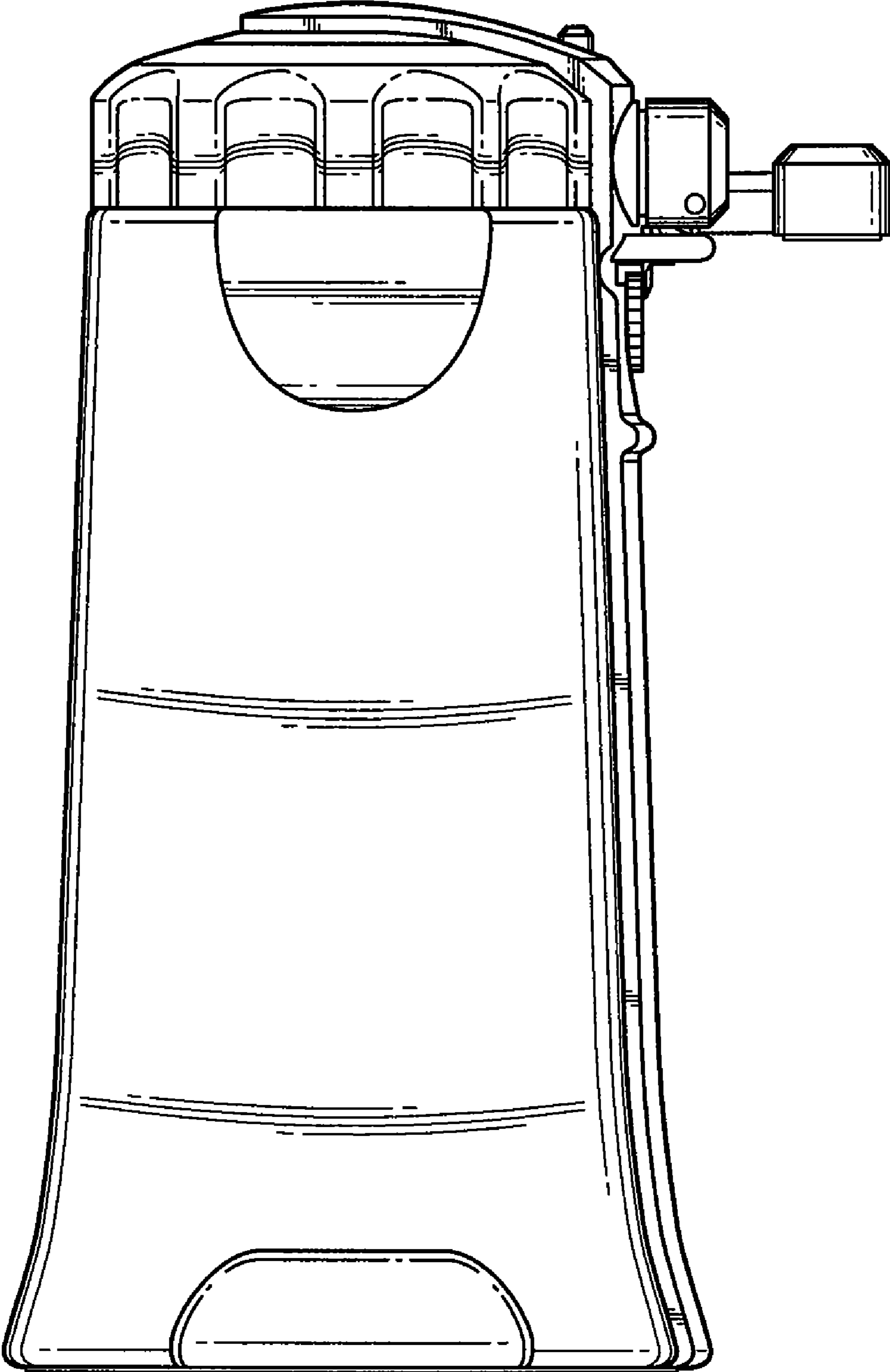


FIG. 6

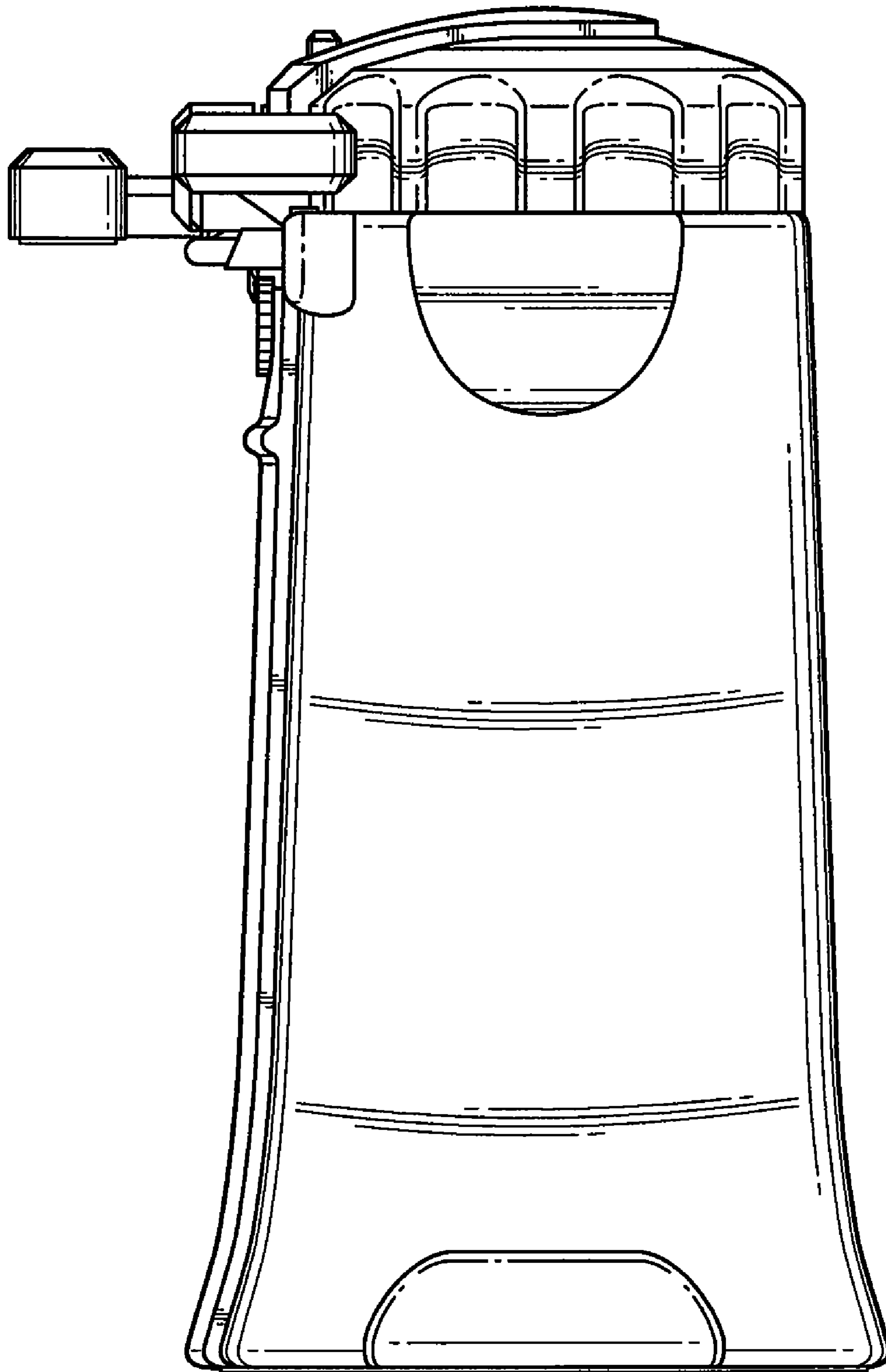


FIG. 7