



US00D587073S

(12) **United States Design Patent**
Goodman et al.

(10) **Patent No.:** **US D587,073 S**

(45) **Date of Patent:** **** Feb. 24, 2009**

(54) **NAPKIN HOLDER**

D433,286 S * 11/2000 Goodman et al. D7/631
D479,272 S * 9/2003 Hardy et al. D19/92

(75) Inventors: **Sheldon H. Goodman**, Solon, OH (US);
Omer I. Sazir, Cleveland, OH (US)

* cited by examiner

(73) Assignee: **Spectrum Diversified Designs, Inc.**,
Streetsboro, OH (US)

Primary Examiner—Terry A Wallace
(74) *Attorney, Agent, or Firm*—Pearne & Gordon LLP

(**) Term: **14 Years**

(57) **CLAIM**

(21) Appl. No.: **29/303,481**

The ornamental design for a napkin holder, as shown and described.

(22) Filed: **Feb. 11, 2008**

DESCRIPTION

(51) **LOC (9) Cl.** **07-06**

(52) **U.S. Cl.** **D7/631**

(58) **Field of Classification Search** D7/631–635,
D7/704; D6/474, 475, 567, 462, 566; D19/65,
D19/75, 77, 78, 85, 86, 90, 91, 92; 211/13.1,
211/45, 43, 50, 51, 56, 59.2, 181.1, 85.31
See application file for complete search history.

FIG. 1 is a perspective view of a napkin holder, showing our new design;

FIG. 2 is a top plan view thereof;

FIG. 3 is a left side elevational view thereof;

FIG. 4 is a front elevational view thereof;

FIG. 5 is a bottom plan view thereof;

FIG. 6 is a perspective view of second embodiment of FIG. 1, where the jagged lines show indeterminate length with a repeating number of similarly spaced cross members; and,

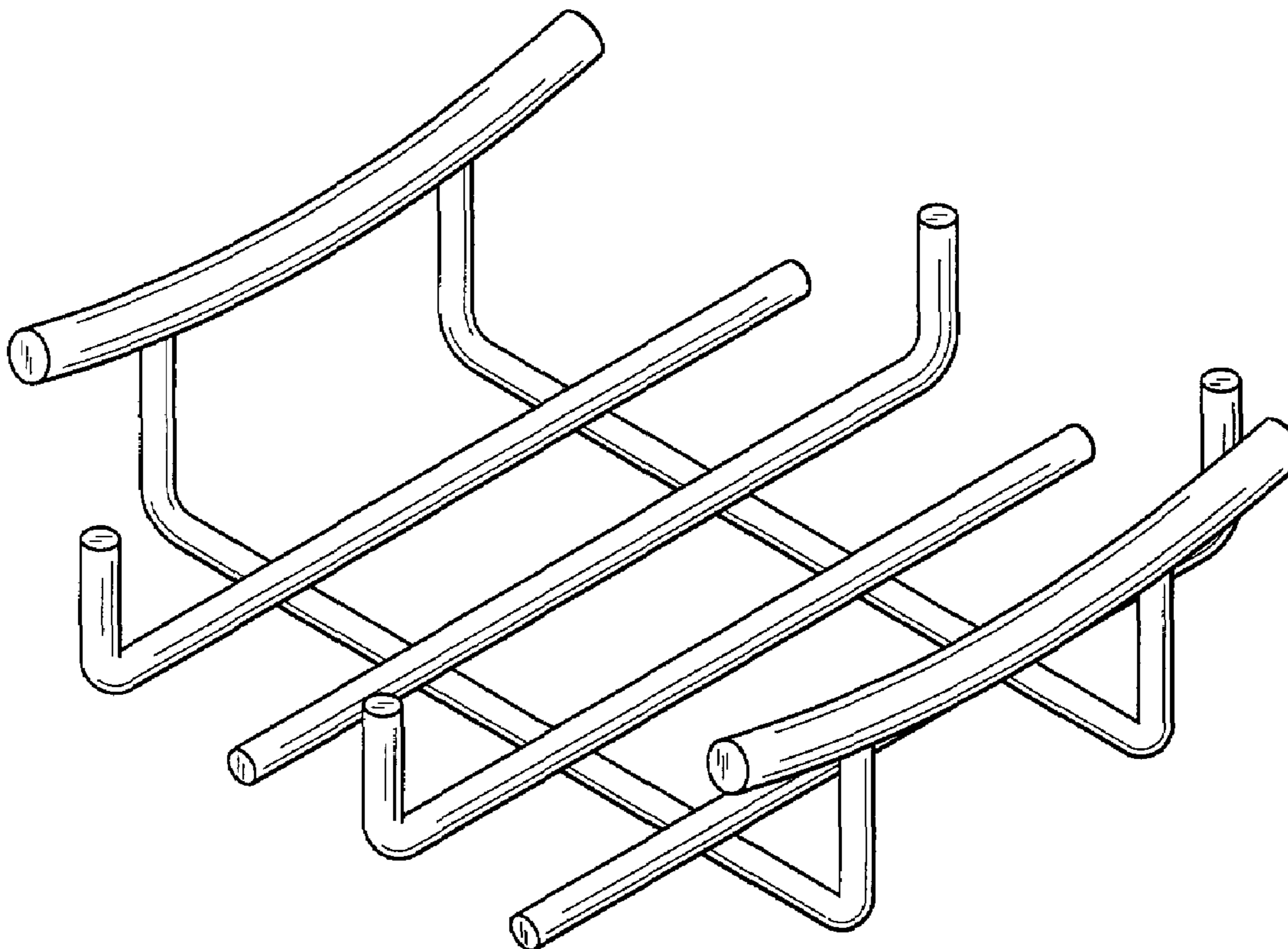
FIG. 7 is a perspective view of a third embodiment of FIG. 1, where the jagged lines show indeterminate length with a repeating number of similarly spaced cross members.

(56) **References Cited**

U.S. PATENT DOCUMENTS

3,063,567 A * 11/1962 Campbell 211/43
4,298,126 A * 11/1981 Filipowicz 211/50
4,930,642 A * 6/1990 Brooks et al. 211/85.31
D315,925 S * 4/1991 Rich D19/92
D315,926 S * 4/1991 Rich D19/92
D408,857 S * 4/1999 Trimm D19/75

1 Claim, 3 Drawing Sheets



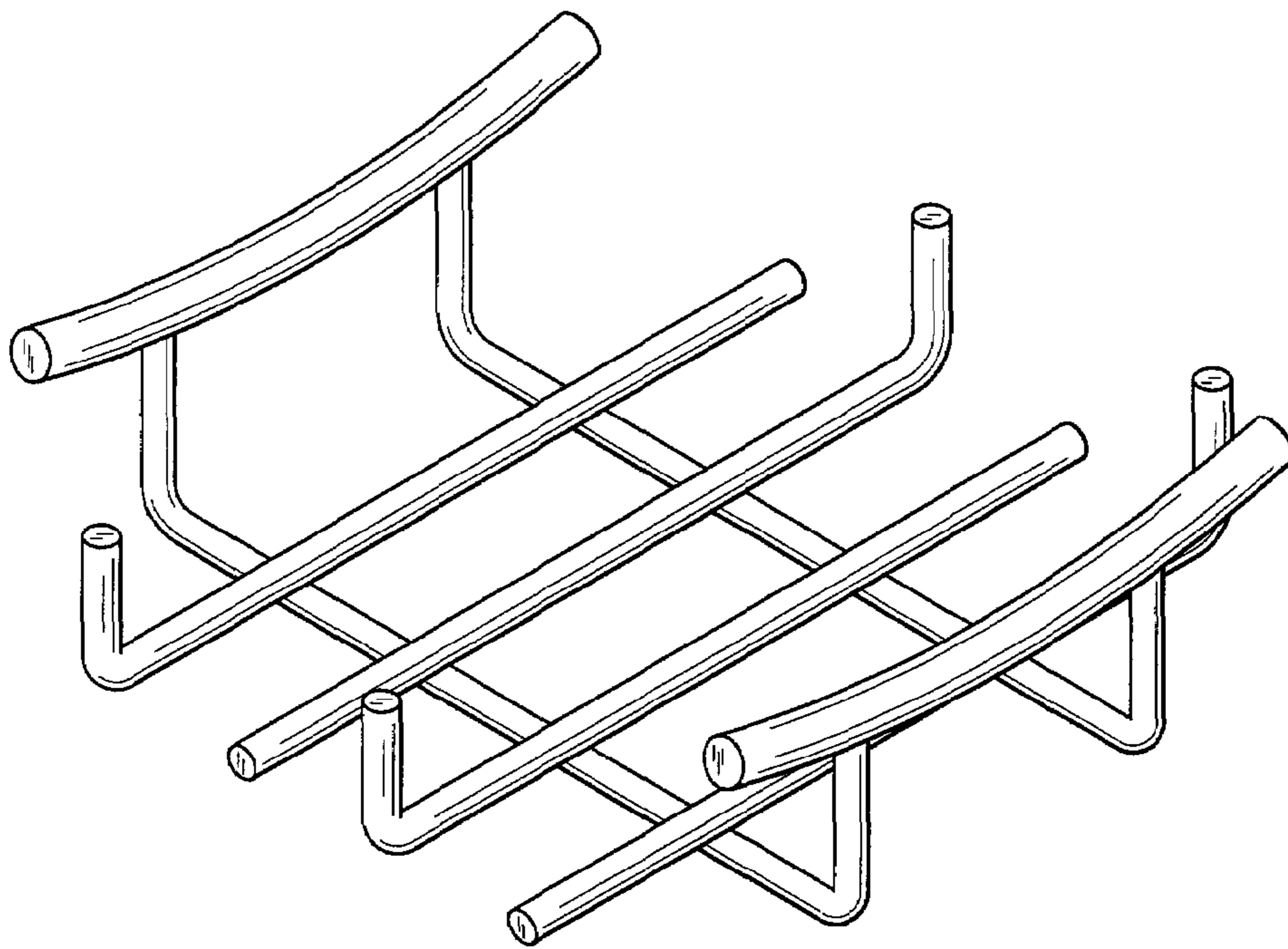


FIG. 1

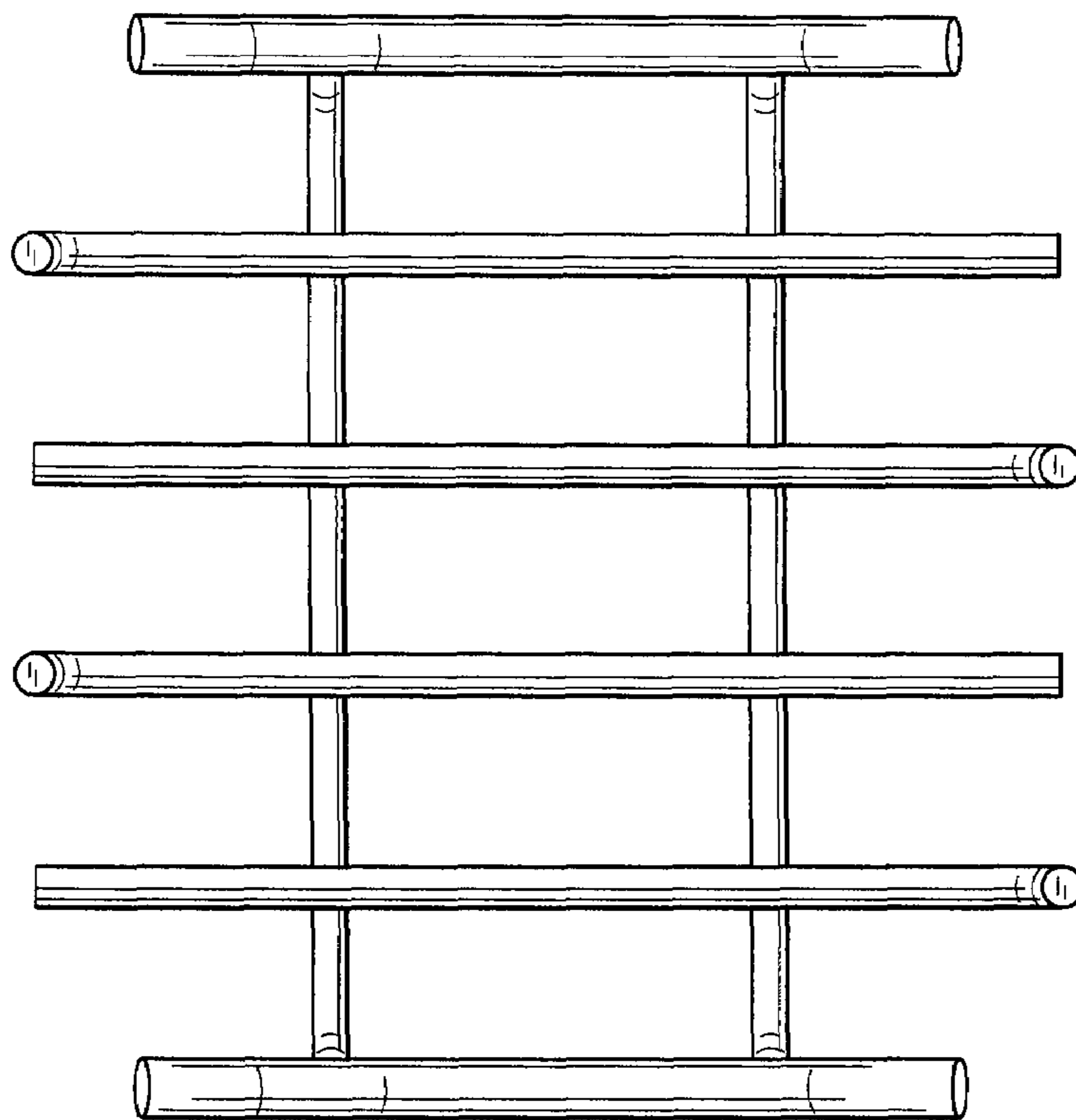


FIG. 2

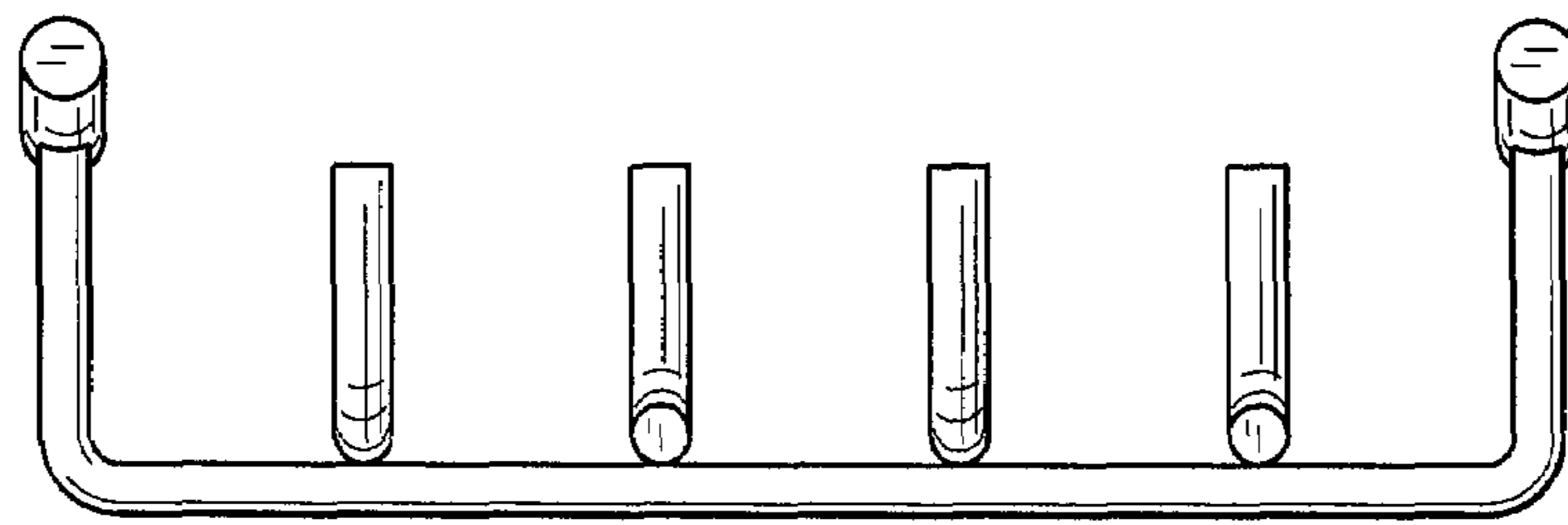


FIG. 3

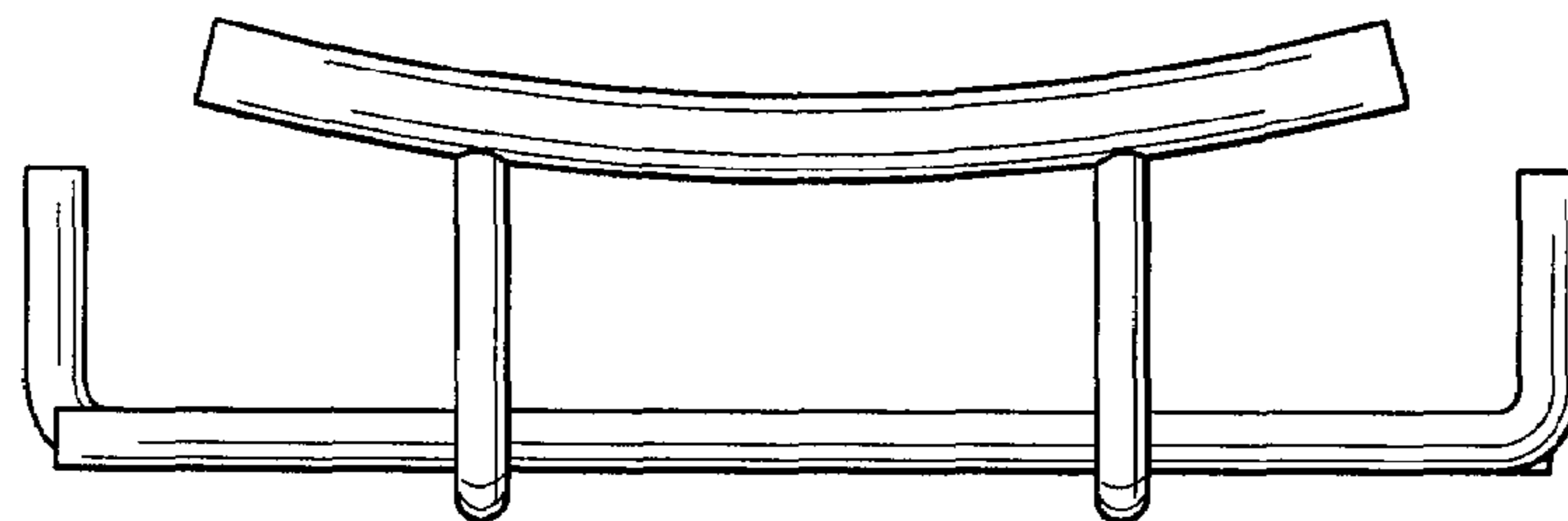


FIG. 4

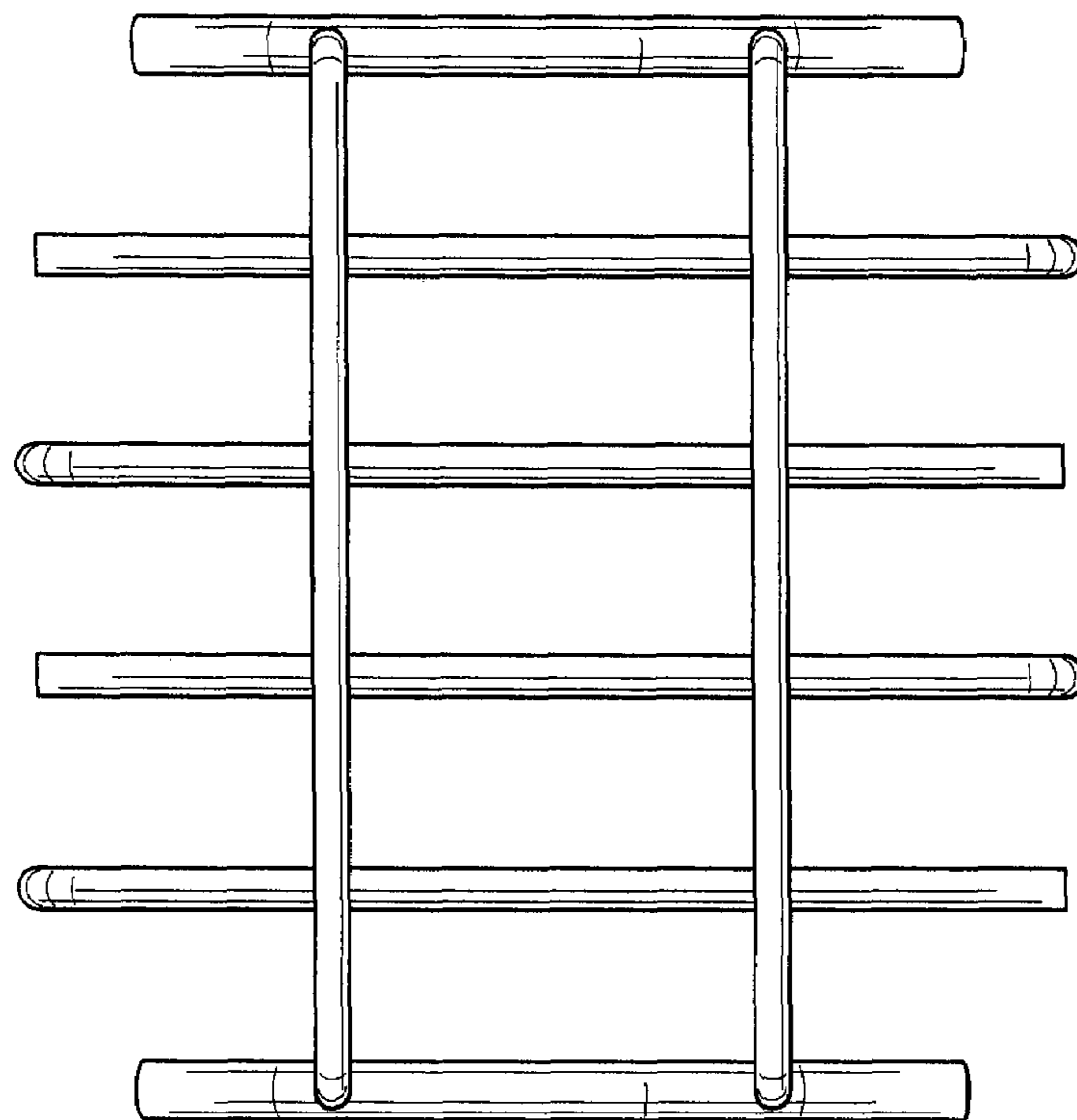


FIG. 5

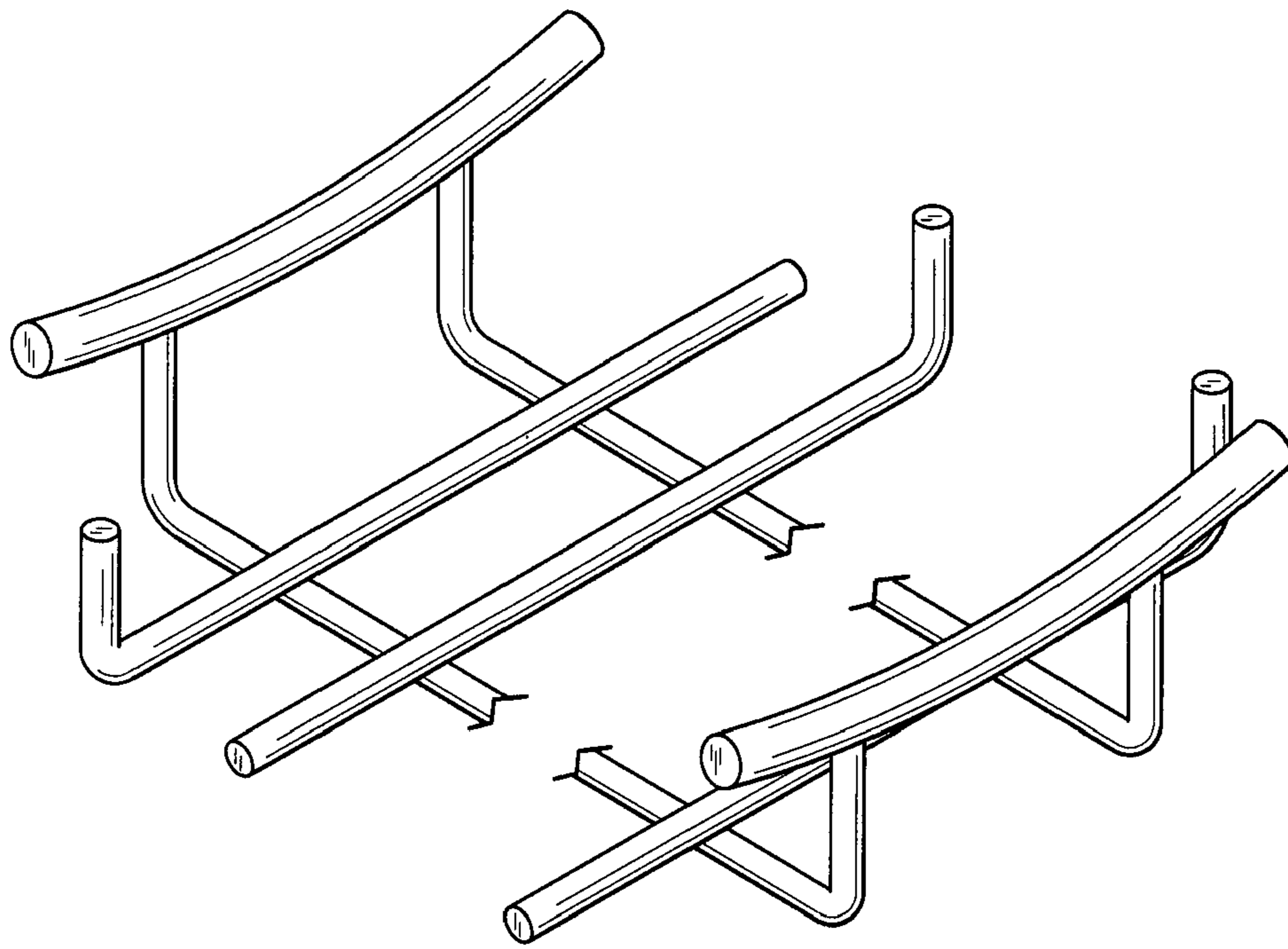


FIG. 6

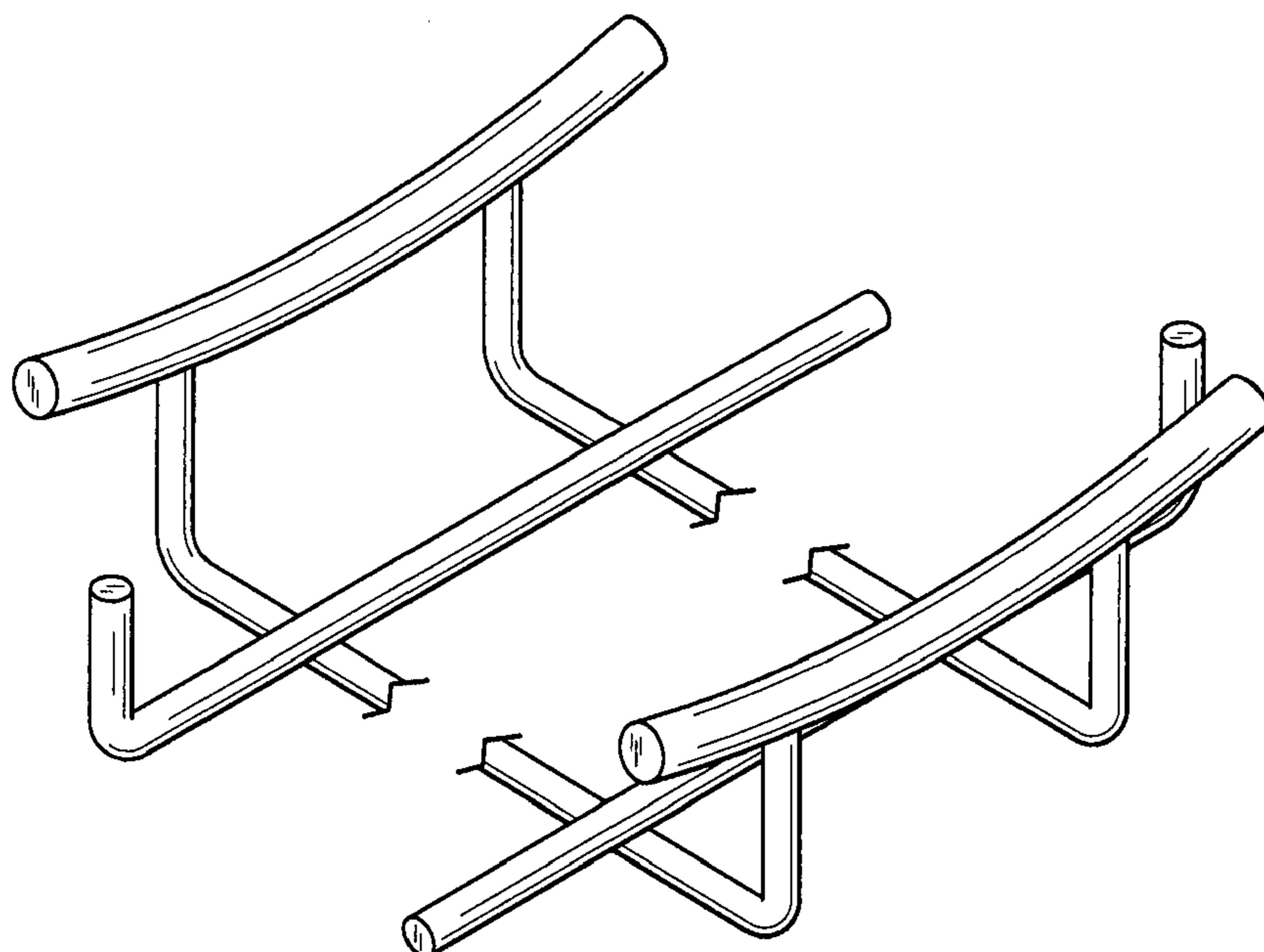


FIG. 7