



US00D587072S

(12) **United States Design Patent**
Friedman et al.

(10) **Patent No.:** **US D587,072 S**

(45) **Date of Patent:** **** Feb. 24, 2009**

(54) **INSULATED CONTAINER**

5,845,515 A * 12/1998 Nelson 62/457.7
D502,059 S * 2/2005 Bukowski et al. D7/605

(75) Inventors: **Peter Alexander Friedman**, Sandown
(ZA); **Peter Martin Hills**, Sandown
(AZ)

* cited by examiner

Primary Examiner—Terry A Wallace

(74) *Attorney, Agent, or Firm*—Schmeiser, Olsen & Watts

(73) Assignee: **Palogix International (PTY) Limited**
(ZA)

(57) **CLAIM**

(**) Term: **14 Years**

The ornamental design for an insulated container, as shown and described.

(21) Appl. No.: **29/303,414**

(22) Filed: **Feb. 8, 2008**

DESCRIPTION

(51) **LOC (9) Cl.** **07-01**

FIG. 1 is a perspective view of the insulated container according to the design;

(52) **U.S. Cl.** **D7/605**

FIG. 2 is a plan view of the insulated container;

(58) **Field of Classification Search** D7/603–608,
D7/629, 602; 220/780–806, 592.24, 560.04,
220/915.1, 915.2, 592.01, 592.03, 592.09,
220/592.16, 592.2; 62/457.1–457.9, 371,
62/372

FIG. 3 is a view from one side of the insulated container;

FIG. 4 is a view from an opposing side of the insulated container;

FIG. 5 is a view from one end of the insulated container;

See application file for complete search history.

FIG. 6 is a view from an opposing end of the insulated container;

FIG. 7 is a bottom view of the insulated container; and,

FIG. 8 is a perspective view of the insulated container with its lid opened.

(56) **References Cited**

U.S. PATENT DOCUMENTS

D284,254 S * 6/1986 Carlson D7/629
5,064,088 A * 11/1991 Steffes 220/837
D349,007 S * 7/1994 Costello D7/605

1 Claim, 4 Drawing Sheets

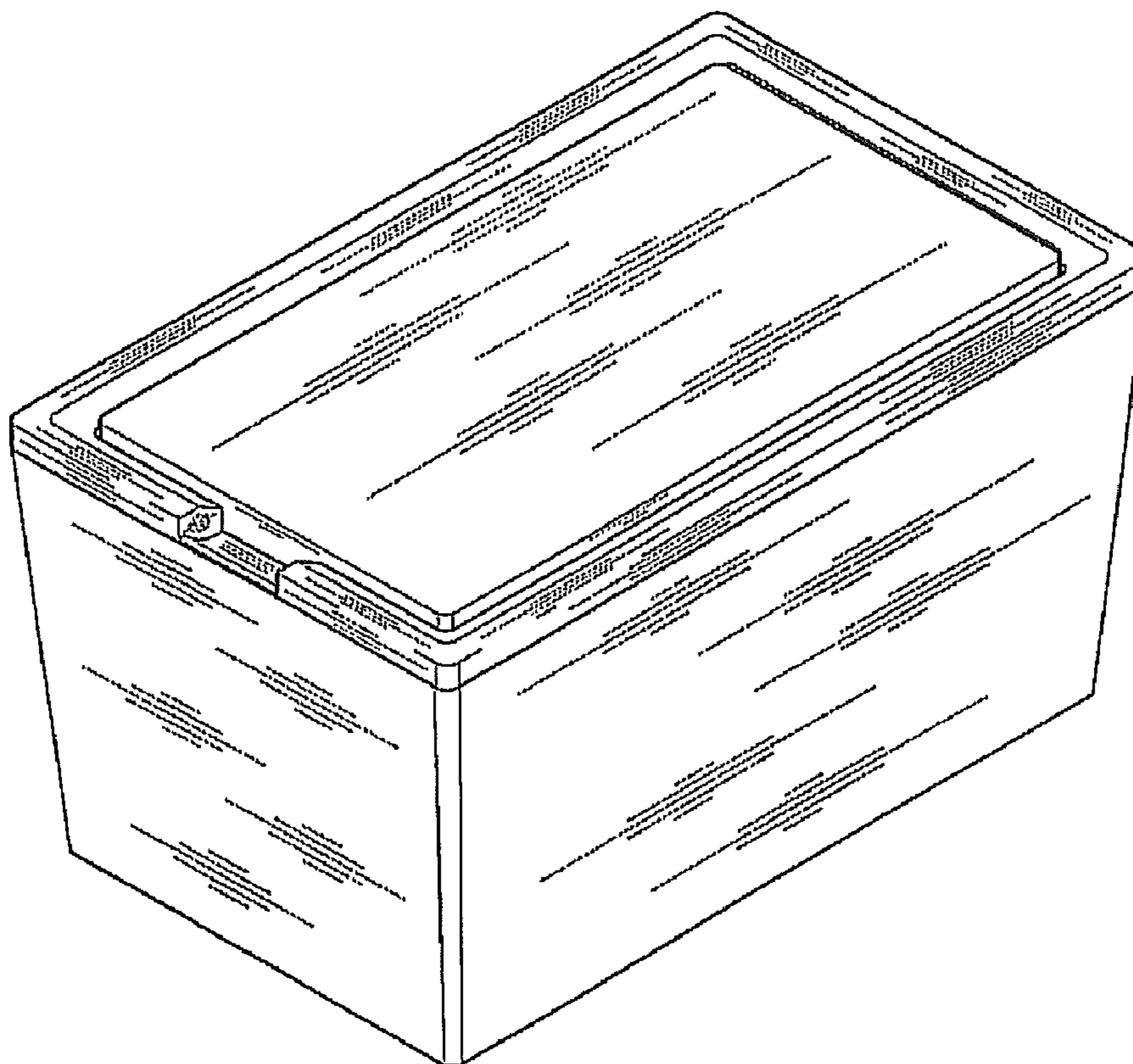


FIG 1

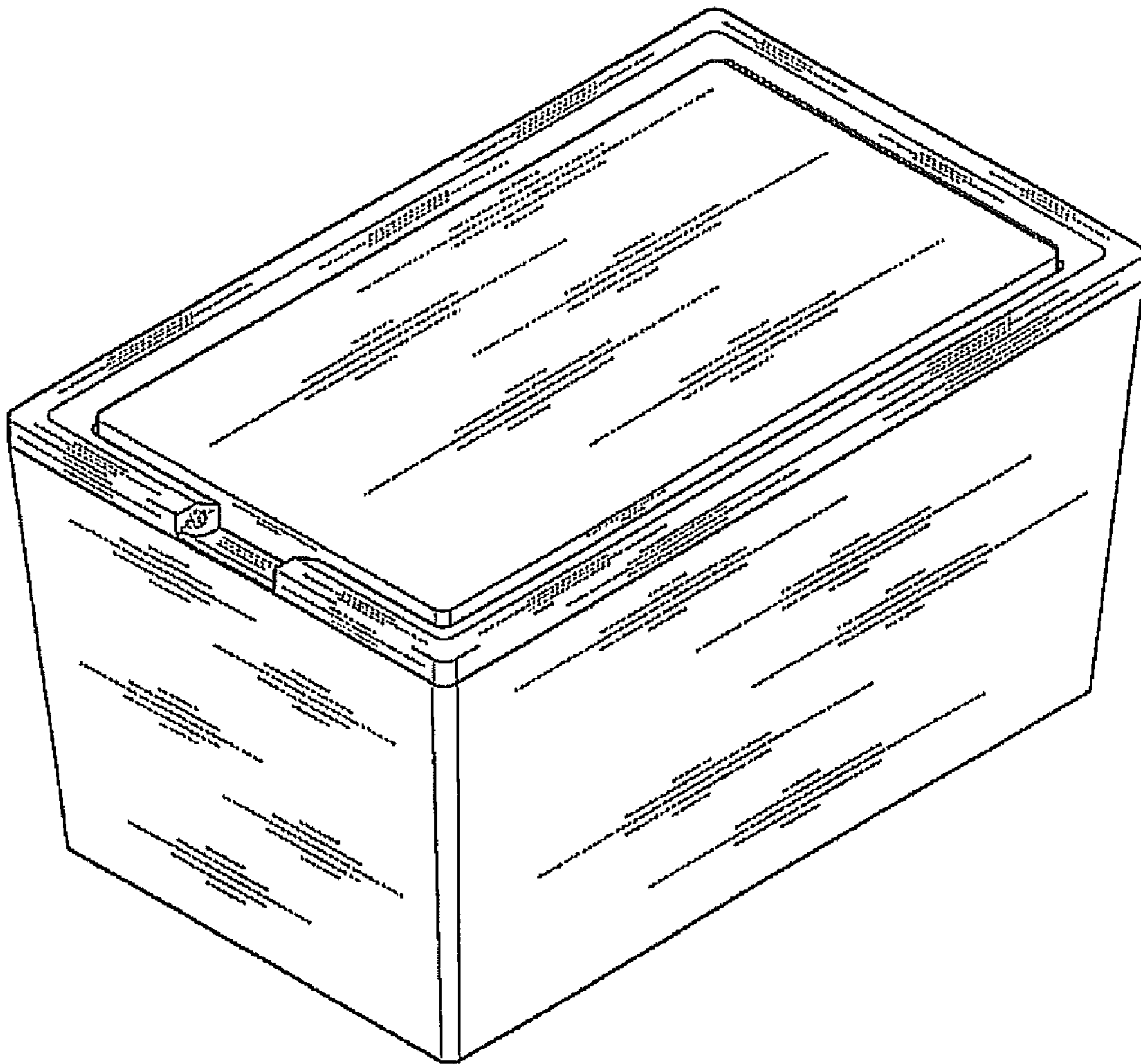


FIG 2

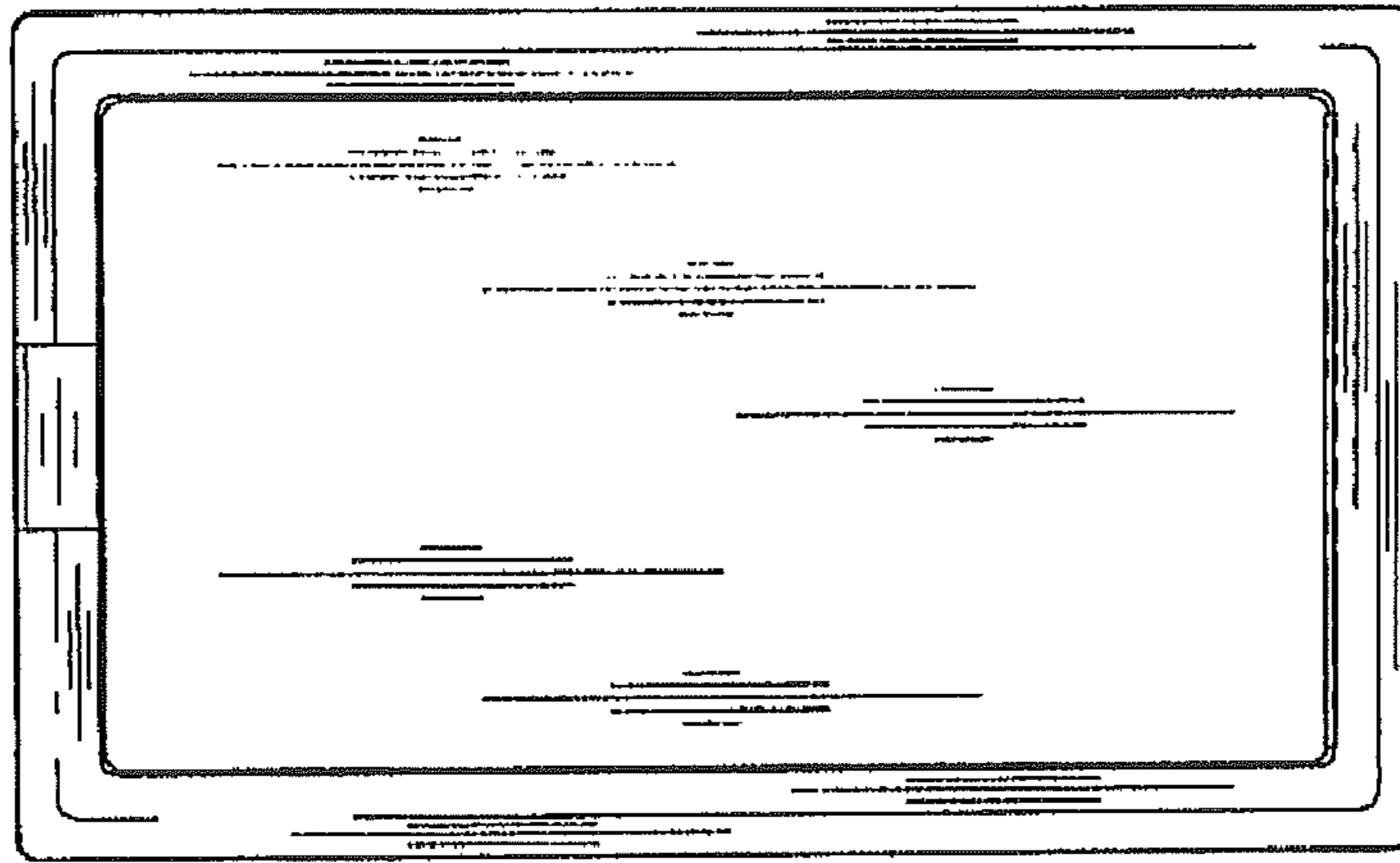


FIG 3

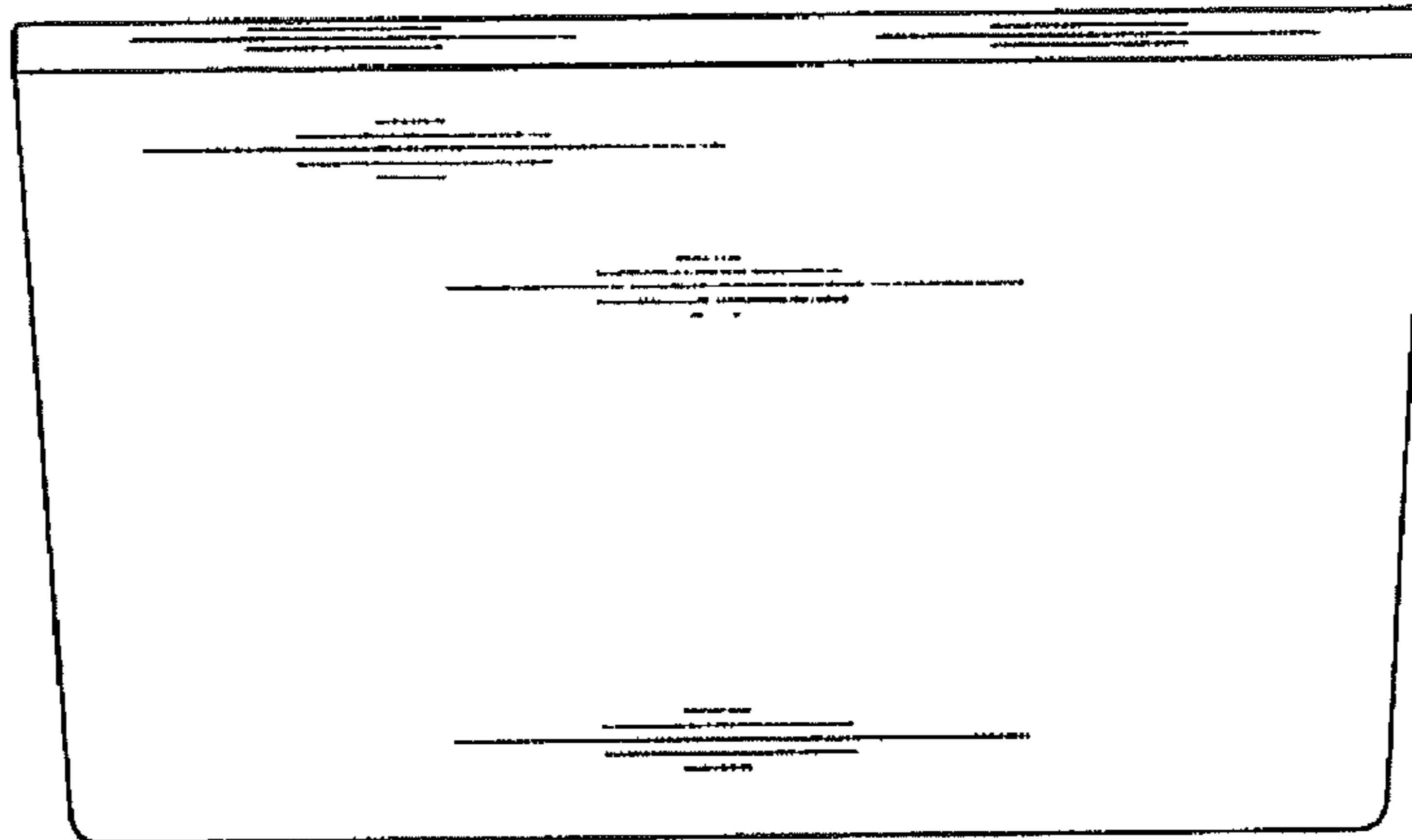


FIG 4

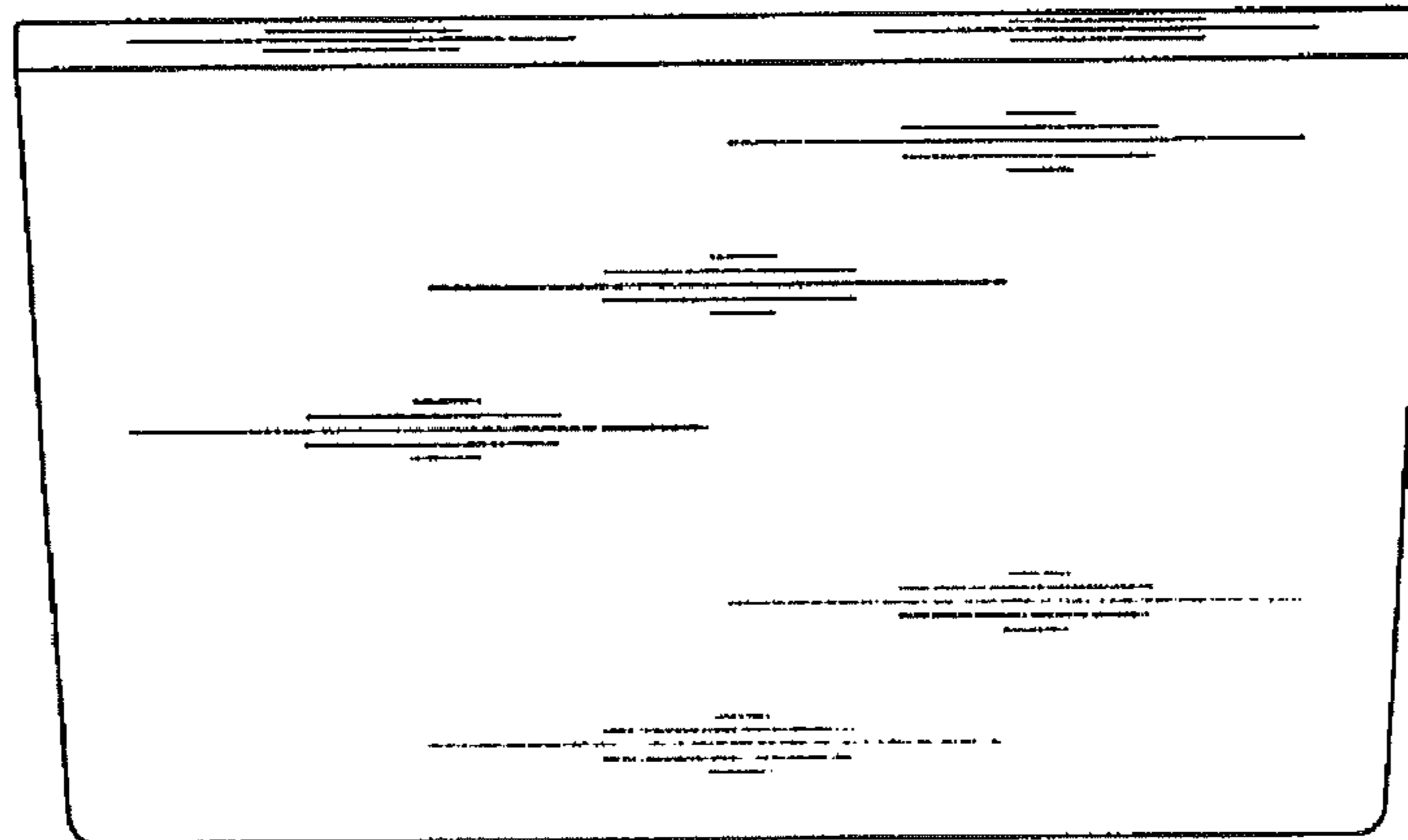


FIG 5

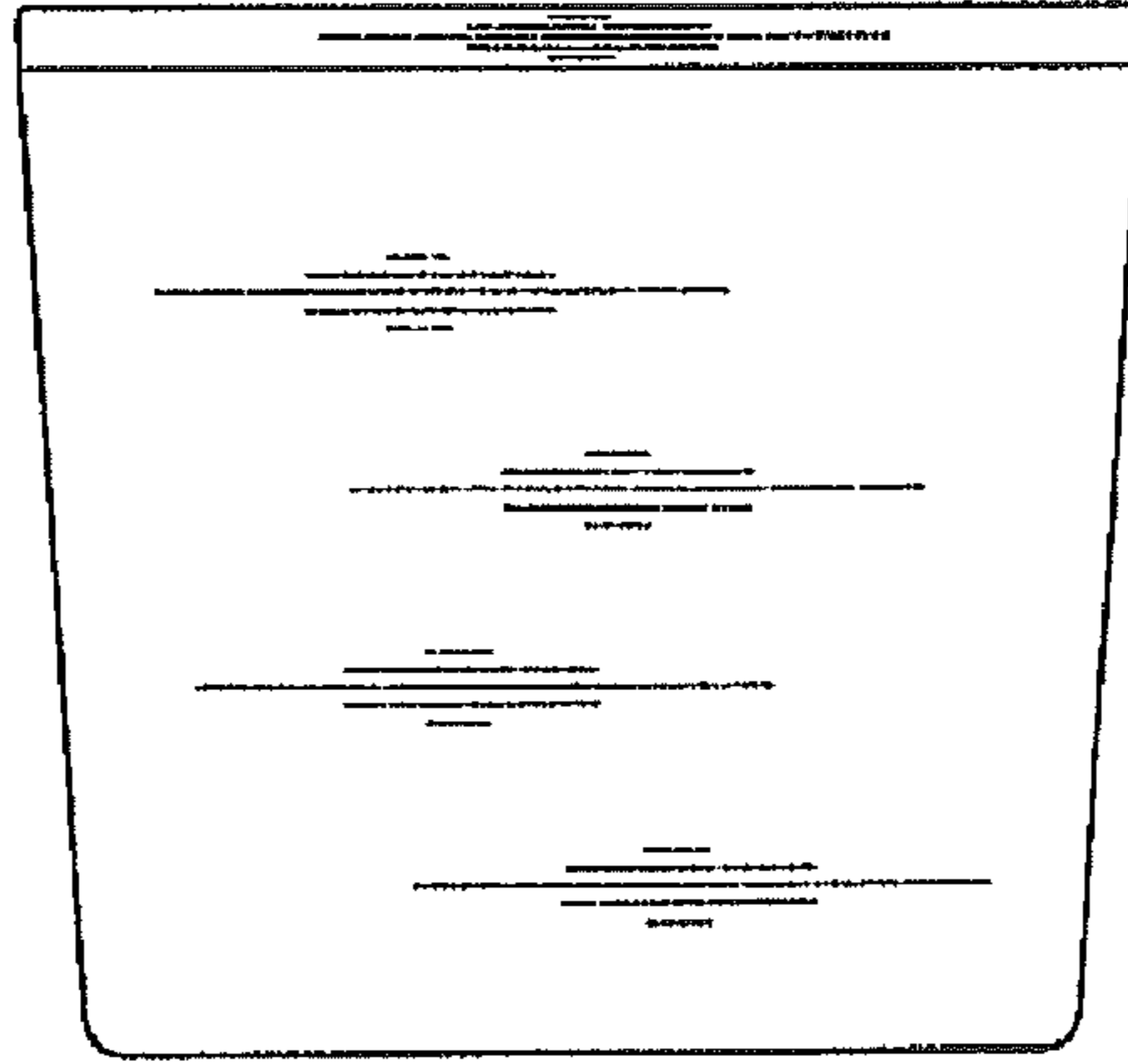


FIG 6

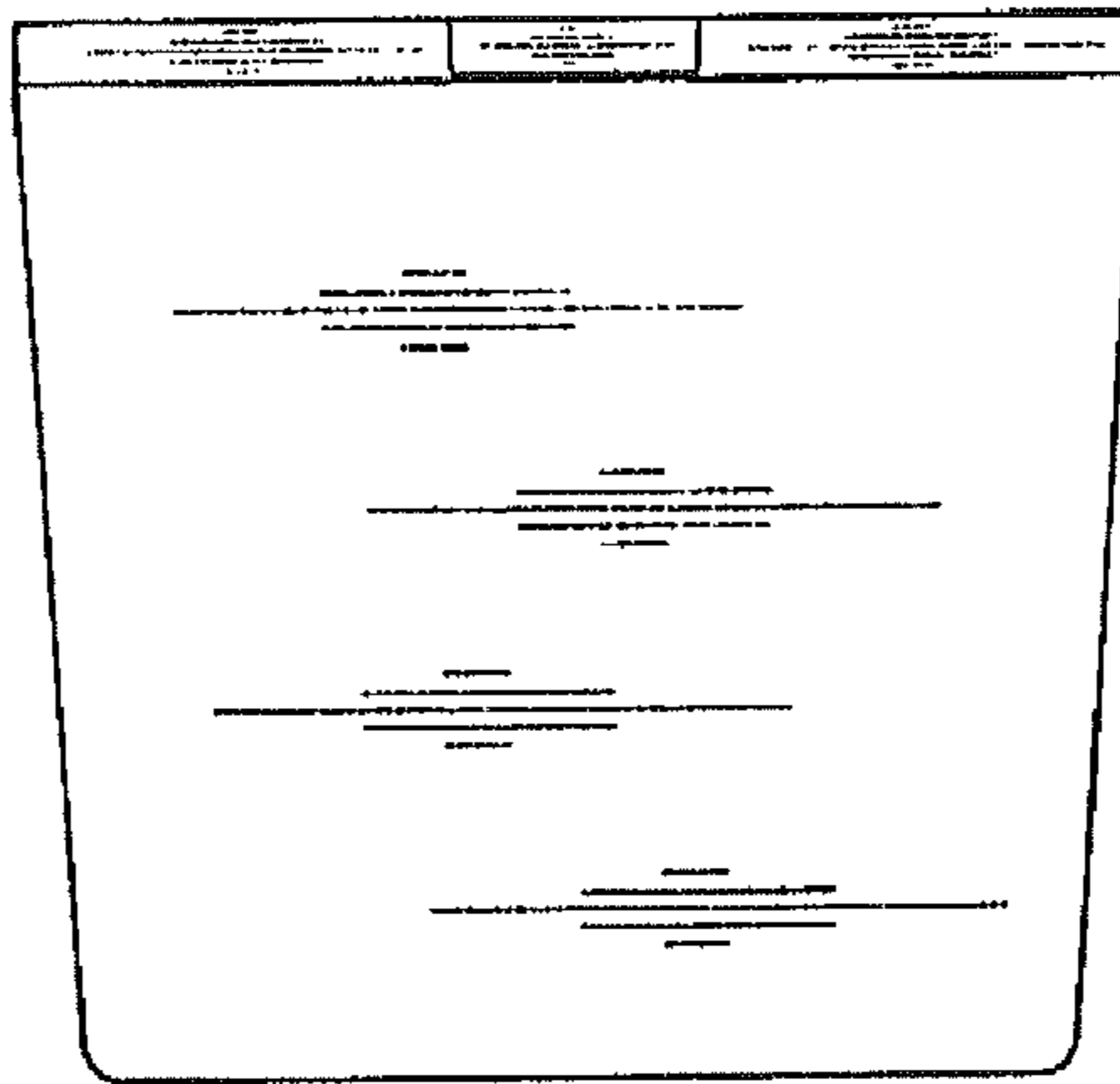


FIG 7

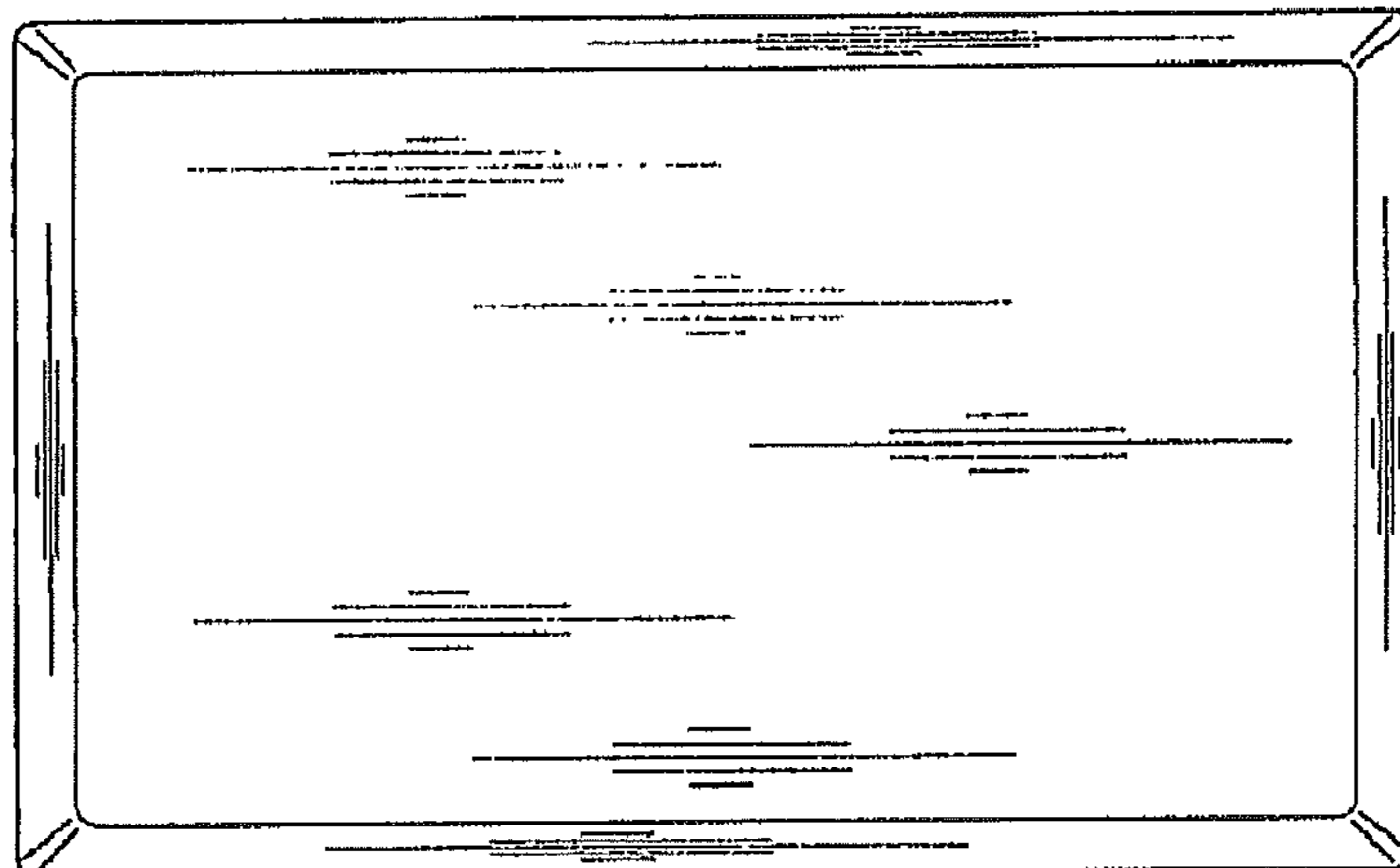
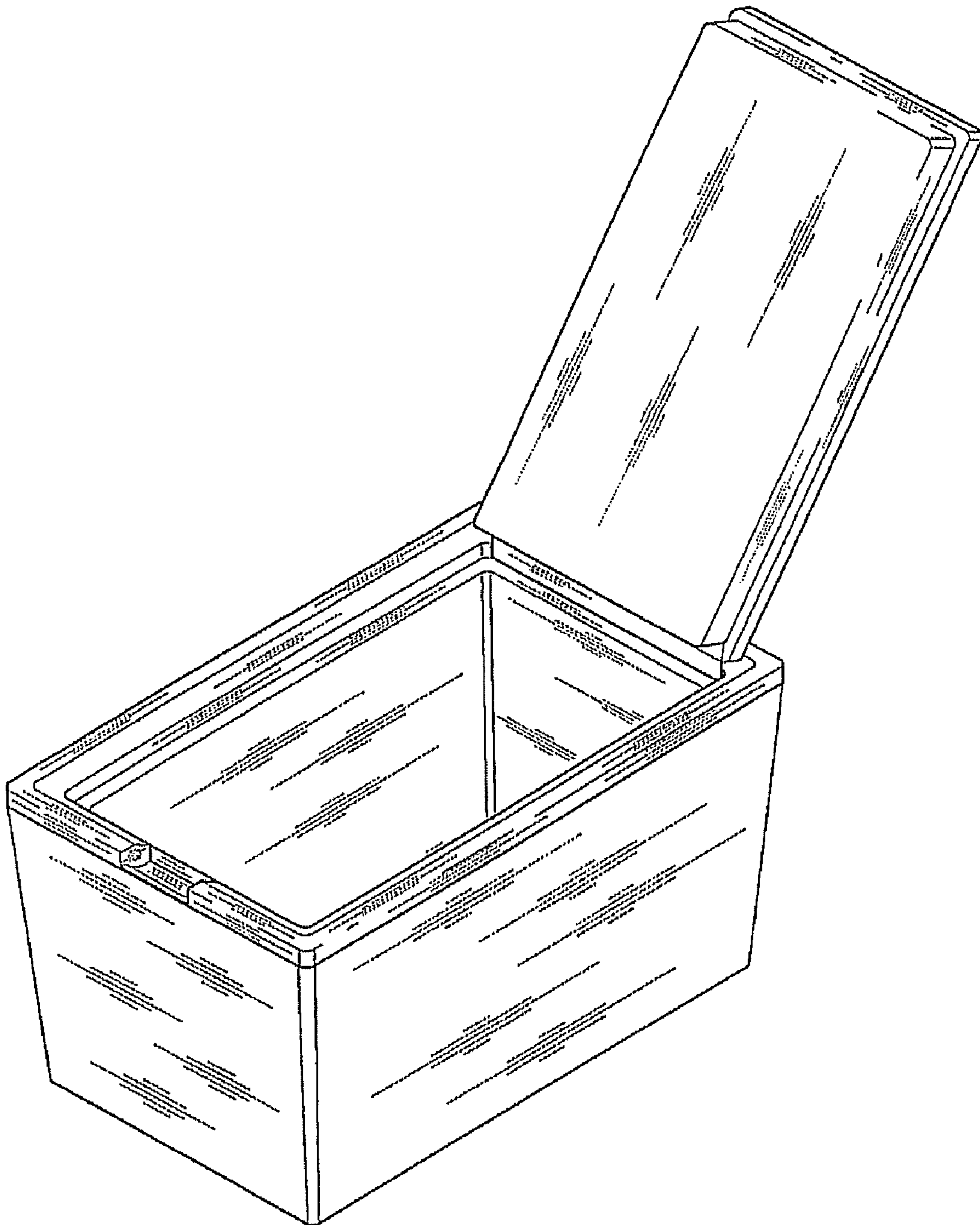


FIG 8



UNITED STATES PATENT AND TRADEMARK OFFICE
CERTIFICATE OF CORRECTION

PATENT NO. : Des. 587,072 S
APPLICATION NO. : 29/303414
DATED : February 24, 2009
INVENTOR(S) : Friedman et al.

Page 1 of 1

It is certified that error appears in the above-identified patent and that said Letters Patent is hereby corrected as shown below:

On Title Page Item (75) Under Inventors:

delete "(AZ)" and insert -- (ZA) --

Signed and Sealed this

Eighteenth Day of May, 2010

A handwritten signature in black ink that reads "David J. Kappos". The signature is written in a cursive, flowing style.

David J. Kappos
Director of the United States Patent and Trademark Office