

US00D587071S

(12) **United States Design Patent**
Roth et al.

(10) **Patent No.:** **US D587,071 S**

(45) **Date of Patent:** **** *Feb. 24, 2009**

(54) **CONTAINER**

(76) Inventors: **Donna Roth**, 10 Cordage Park Cir.,
Suite 212, Plymouth, MA (US) 02360;
Henry Roth, 10 Cordage Park Cir., Suite
212, Plymouth, MA (US) 02360

(*) Notice: This patent is subject to a terminal dis-
claimer.

(**) Term: **14 Years**

(21) Appl. No.: **29/248,533**

(22) Filed: **Aug. 21, 2006**

Related U.S. Application Data

(63) Continuation of application No. 11/247,859, filed on
Oct. 11, 2005, which is a continuation of application
No. 11/012,452, filed on Dec. 15, 2004, which is a
continuation of application No. 29/217,503, filed on
Nov. 18, 2004, now Pat. No. Des. 536,579, which is a
continuation of application No. 29/214,964, filed on
Oct. 12, 2004, now Pat. No. Des. 537,682.

(51) **LOC (9) Cl.** **07-01**

(52) **U.S. Cl.** **D7/601; D7/523; D9/428**

(58) **Field of Classification Search** D7/601,
D7/629, 612-615, 510, 523; D9/418, 337,
D9/424-429; D1/118; 215/381-384; 220/602,
220/662, 670, 675, 568, 780-805; 229/4.5,
229/400, 403, 404, 906.1

See application file for complete search history.

(56) **References Cited**

U.S. PATENT DOCUMENTS

D239,920 S * 5/1976 Floren D9/428
4,163,517 A * 8/1979 Kappler et al. 229/4.5
D312,400 S * 11/1990 Schwaikert D9/424
D328,248 S * 7/1992 Ruff D9/418
D331,013 S * 11/1992 Hamamura D9/428
D400,397 S * 11/1998 Stephan D7/510
D453,107 S * 1/2002 Wyslowsky et al. D9/418
D455,652 S * 4/2002 Wyslowsky et al. D9/429

D473,788 S * 4/2003 Chen et al. D9/428
D474,110 S * 5/2003 Sweeney D9/428
D479,991 S * 9/2003 Bezek et al. D9/428

* cited by examiner

Primary Examiner—Terry A Wallace

(74) *Attorney, Agent, or Firm*—Garcia-Zamor IP Law; Ruy
M. Garcia-Zamor

(57) **CLAIM**

The ornamental design for a container, as shown and
described.

DESCRIPTION

FIG. 1 is a perspective view of a container according to a first
preferred embodiment of our new design;

FIG. 2 is a front elevational view of the container of FIG. 1;

FIG. 3 is a rear elevational view of the container of FIG. 1;

FIG. 4 is a right side elevational view of the container of FIG.
1;

FIG. 5 is a top plan view of the container of FIG. 1;

FIG. 6 is a left side elevational view of the container of FIG.
1;

FIG. 7 is a bottom plan view of the container of FIG. 1;

FIG. 8 is a perspective view of a container according to a
second preferred embodiment of our new design;

FIG. 9 is a front elevational view of the container of FIG. 8;

FIG. 10 is a rear elevational view of the container of FIG. 8;

FIG. 11 is a right side elevational view of the container of FIG.
8;

FIG. 12 is a top plan view of the container of FIG. 8;

FIG. 13 is a left side elevational view of the container of FIG.
8;

FIG. 14 is a bottom plan view of the container of FIG. 8;

FIG. 15 is a perspective view of a container according to a
third preferred embodiment of our new design;

FIG. 16 is a front elevational view of the container of FIG. 15;

FIG. 17 is a rear elevational view of the container of FIG. 15;

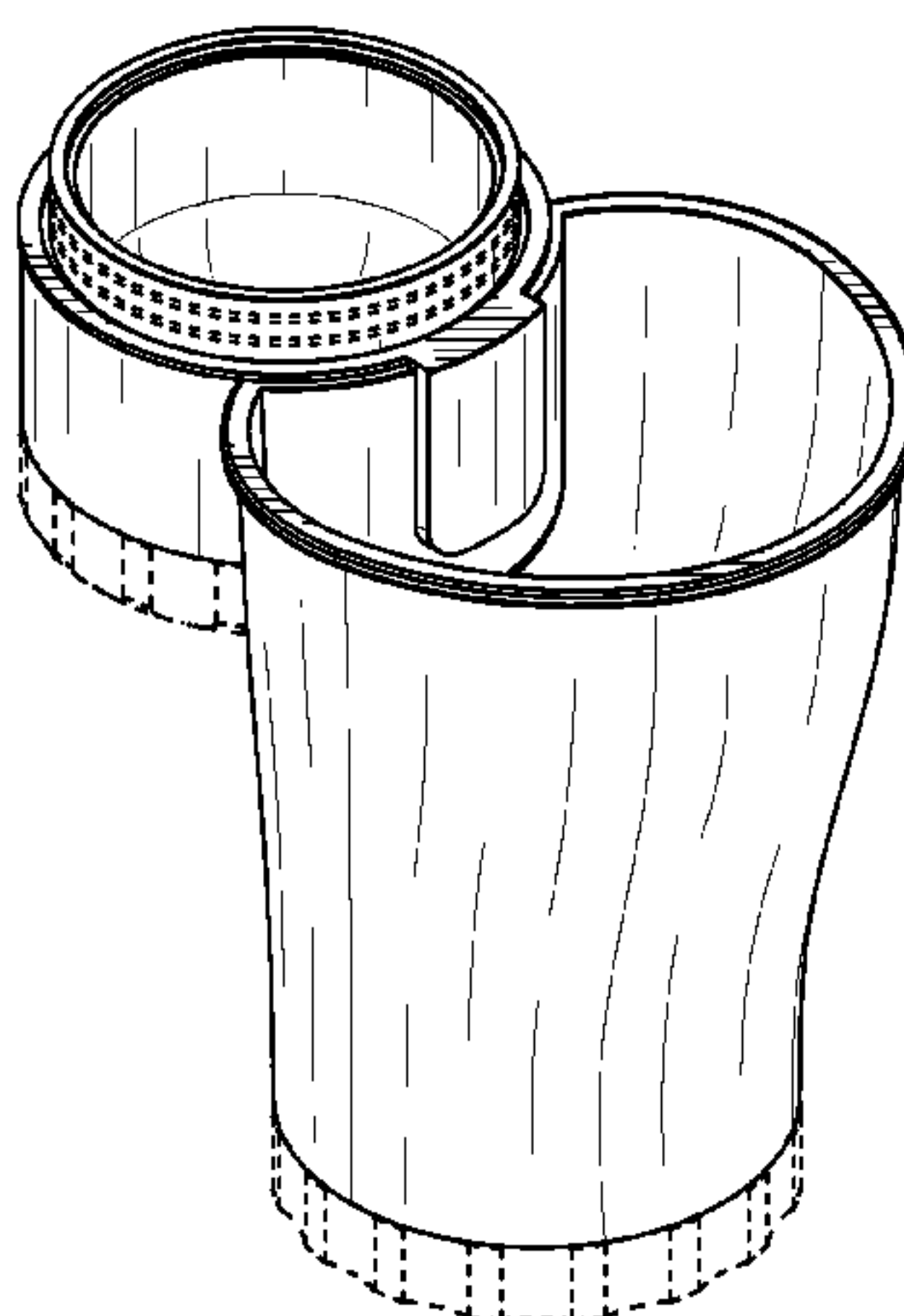


FIG. **18** is a right side elevational view of the container of FIG. **15**;

FIG. **19** is a top plan view of the container of FIG. **15**;

FIG. **20** is a left side elevational view of the container of FIG. **15**;

FIG. **21** is a bottom plan view of the container of FIG. **15**;

FIG. **22** is a perspective view of a container according to my fourth preferred embodiment of our new design;

FIG. **23** is a second perspective view of the container of FIG. **22**;

FIG. **24** is a right side elevational view of the container of FIG. **22**;

FIG. **25** is a left side elevational view of the container of FIG. **22**;

FIG. **26** is a rear elevational view of the container of FIG. **22**;

FIG. **27** is a top plan view of the container of FIG. **22**;

FIG. **28** is a front elevational view of the container of FIG. **22**;

and, FIG. **29** is a bottom plan view of the container of FIG. **22**.

The broken lines are for illustrative purposes only and form no part of the claimed design.

1 Claim, 13 Drawing Sheets

FIG. 1

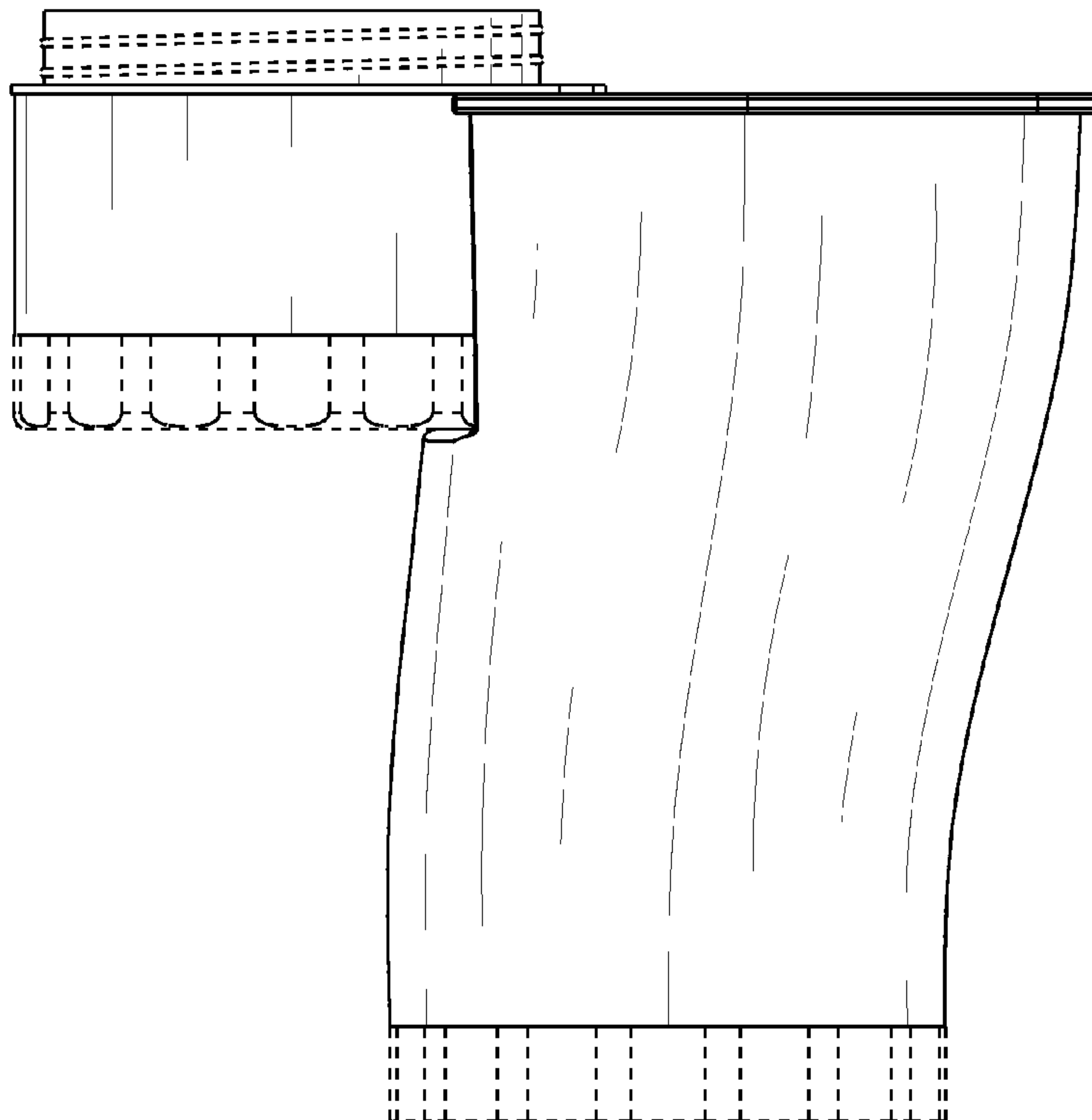
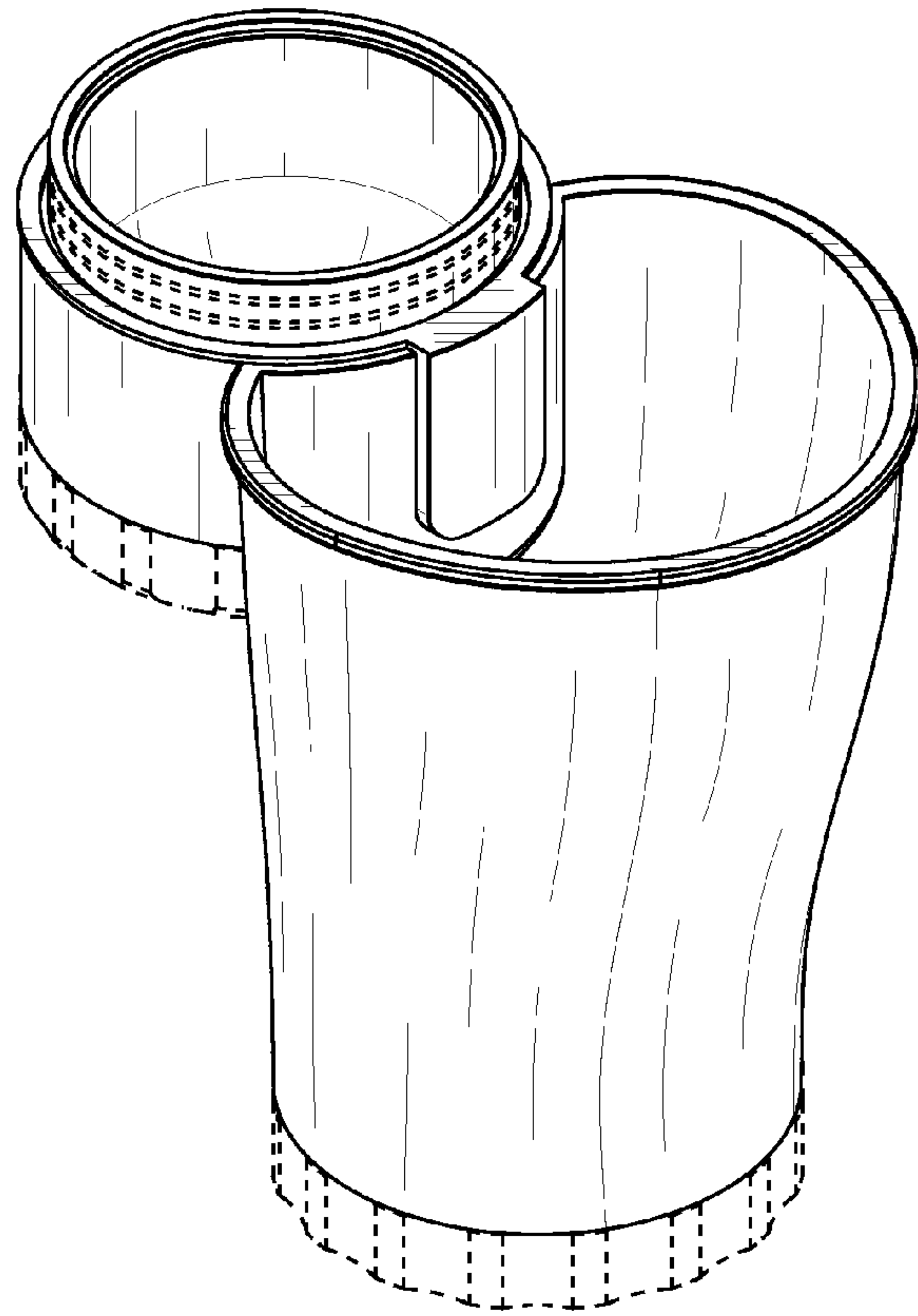


FIG. 2

FIG. 3

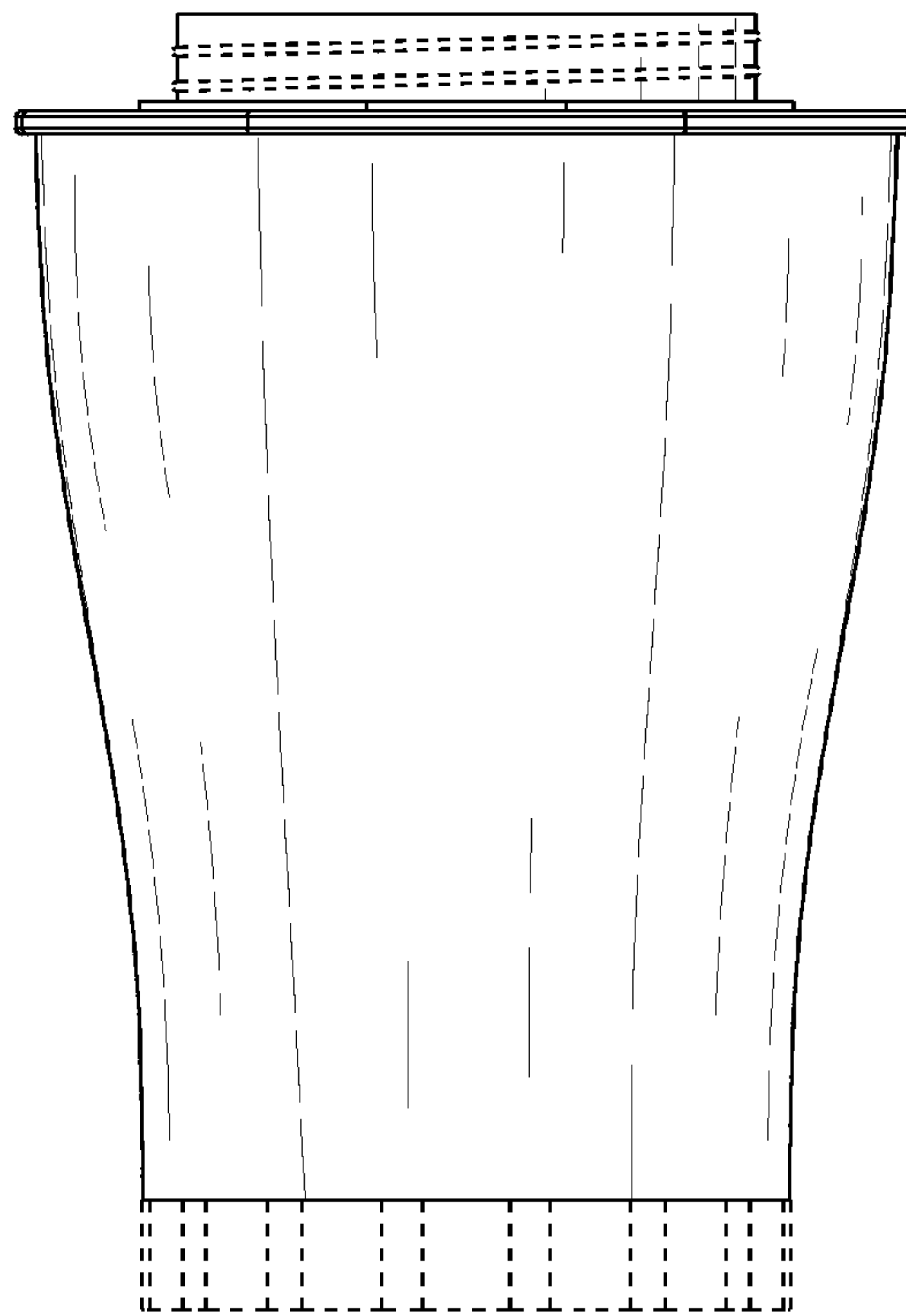
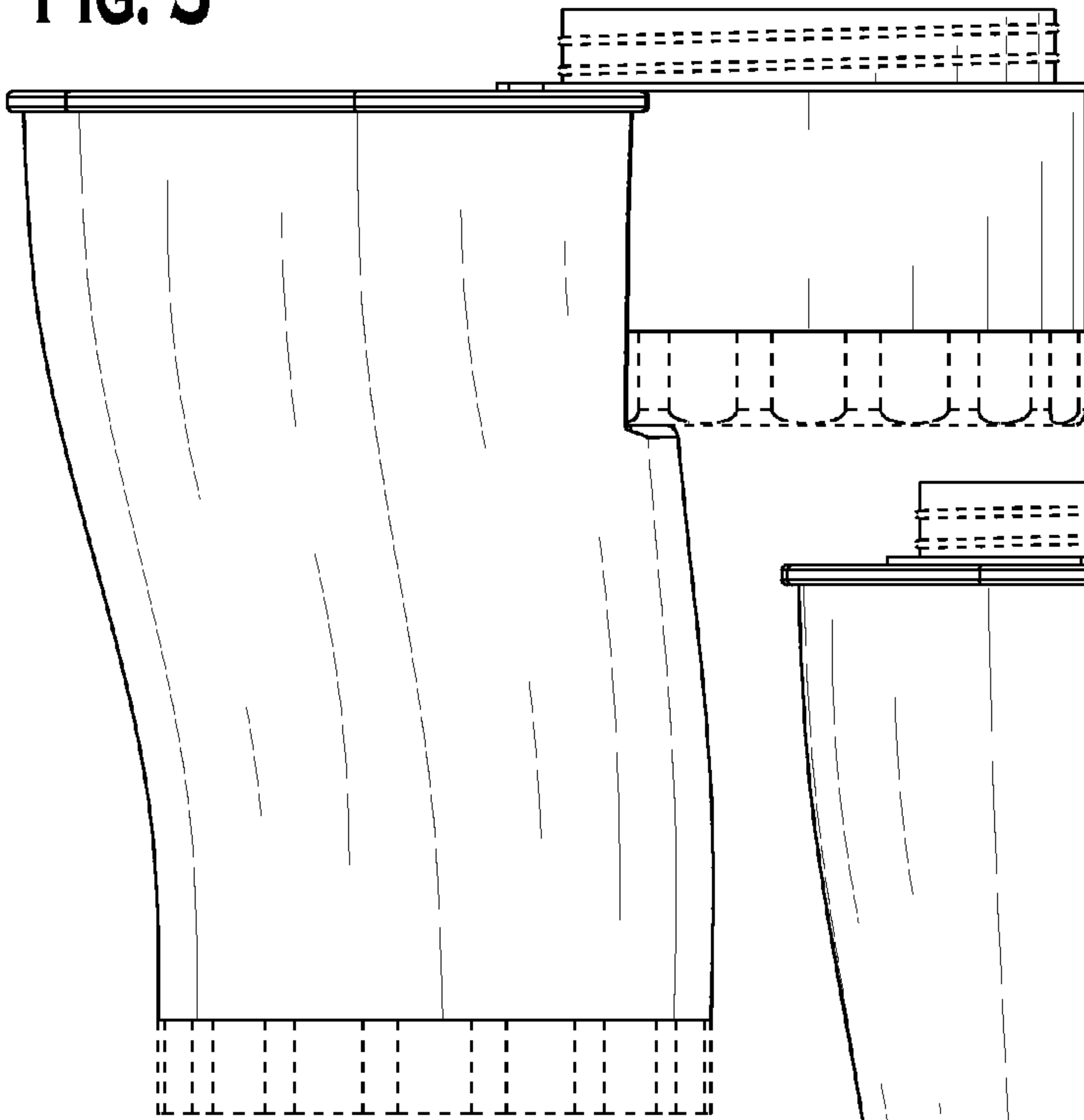


FIG. 4

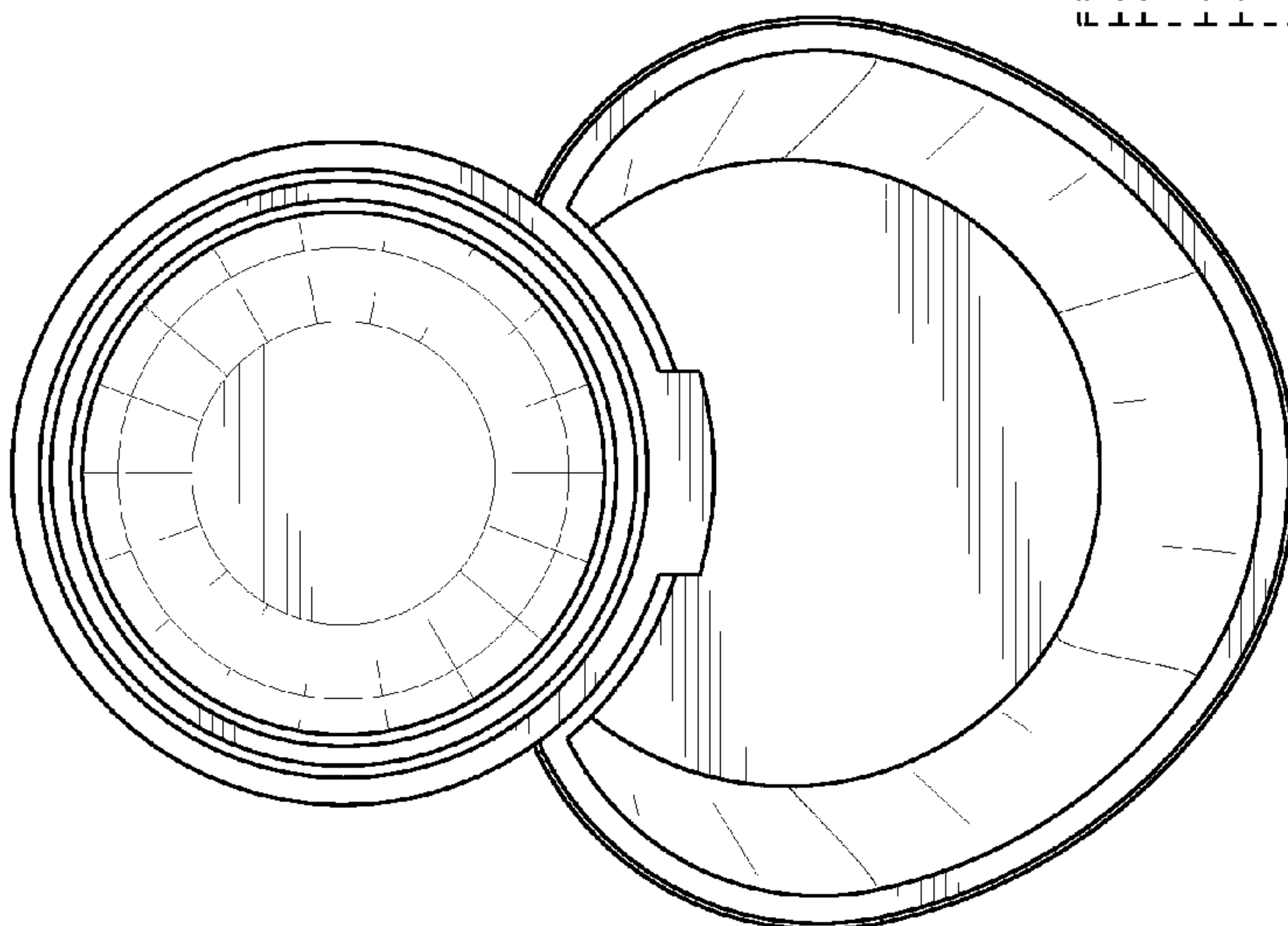


FIG. 5

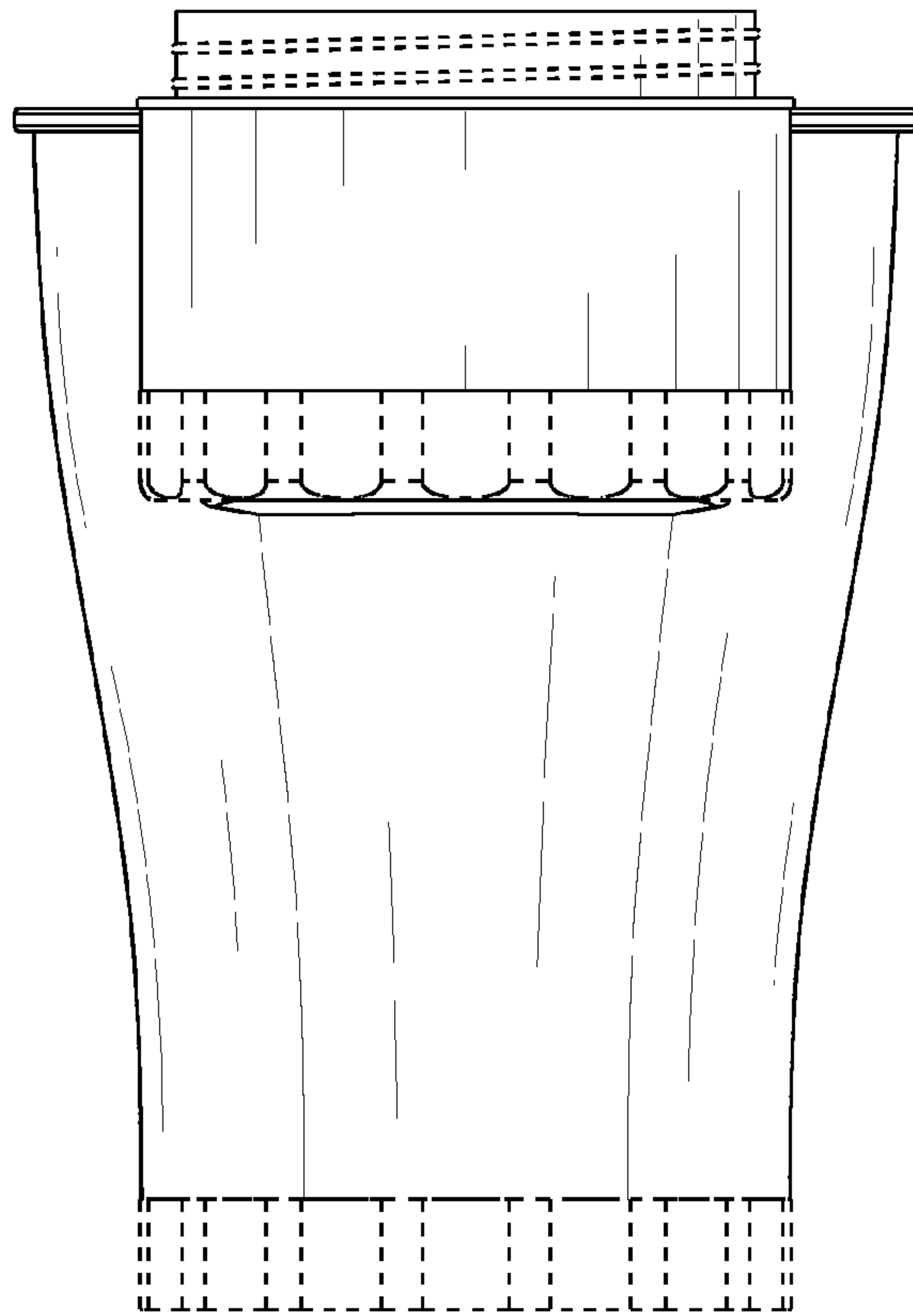


FIG. 6

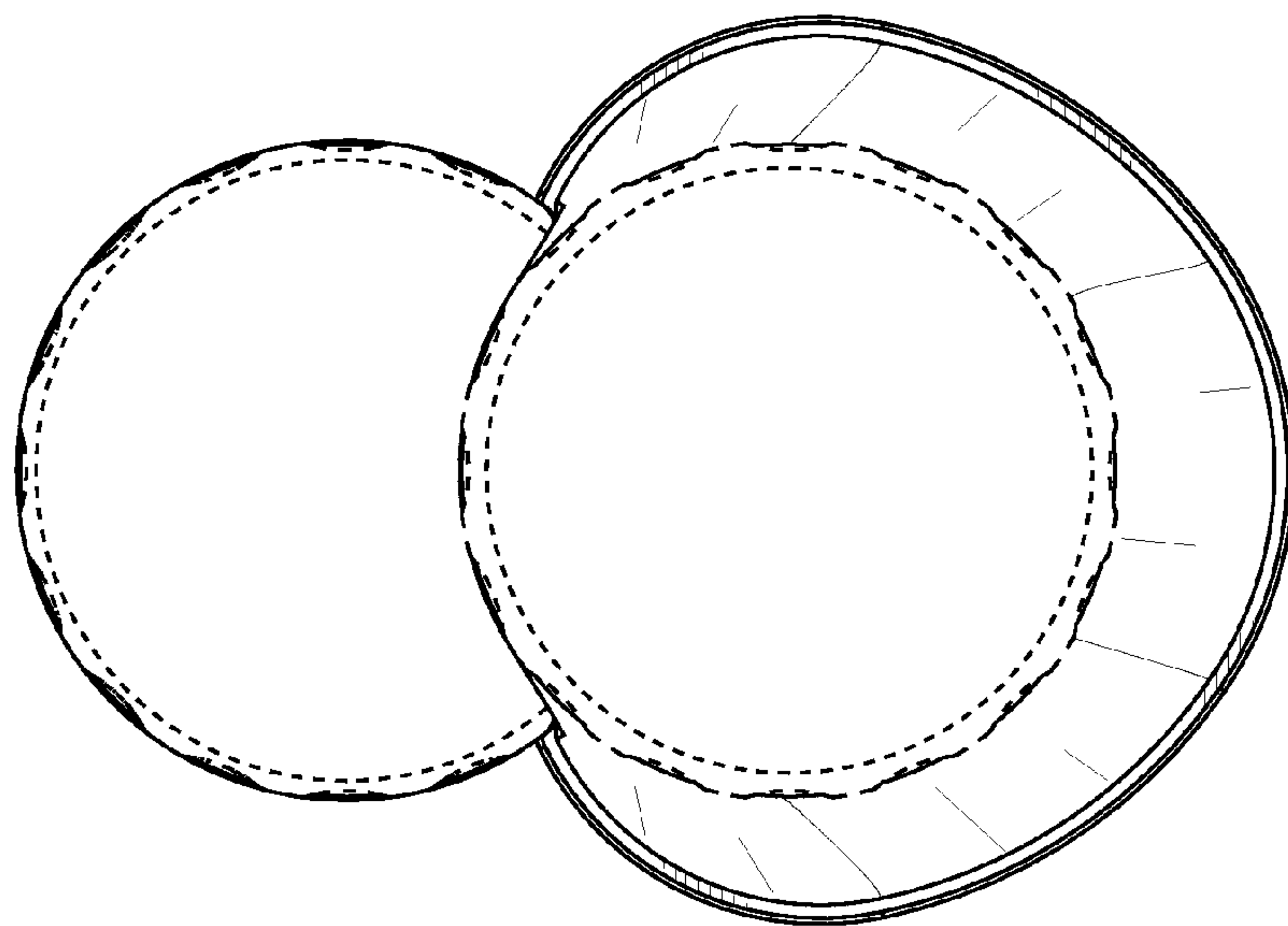


FIG. 7

FIG. 8

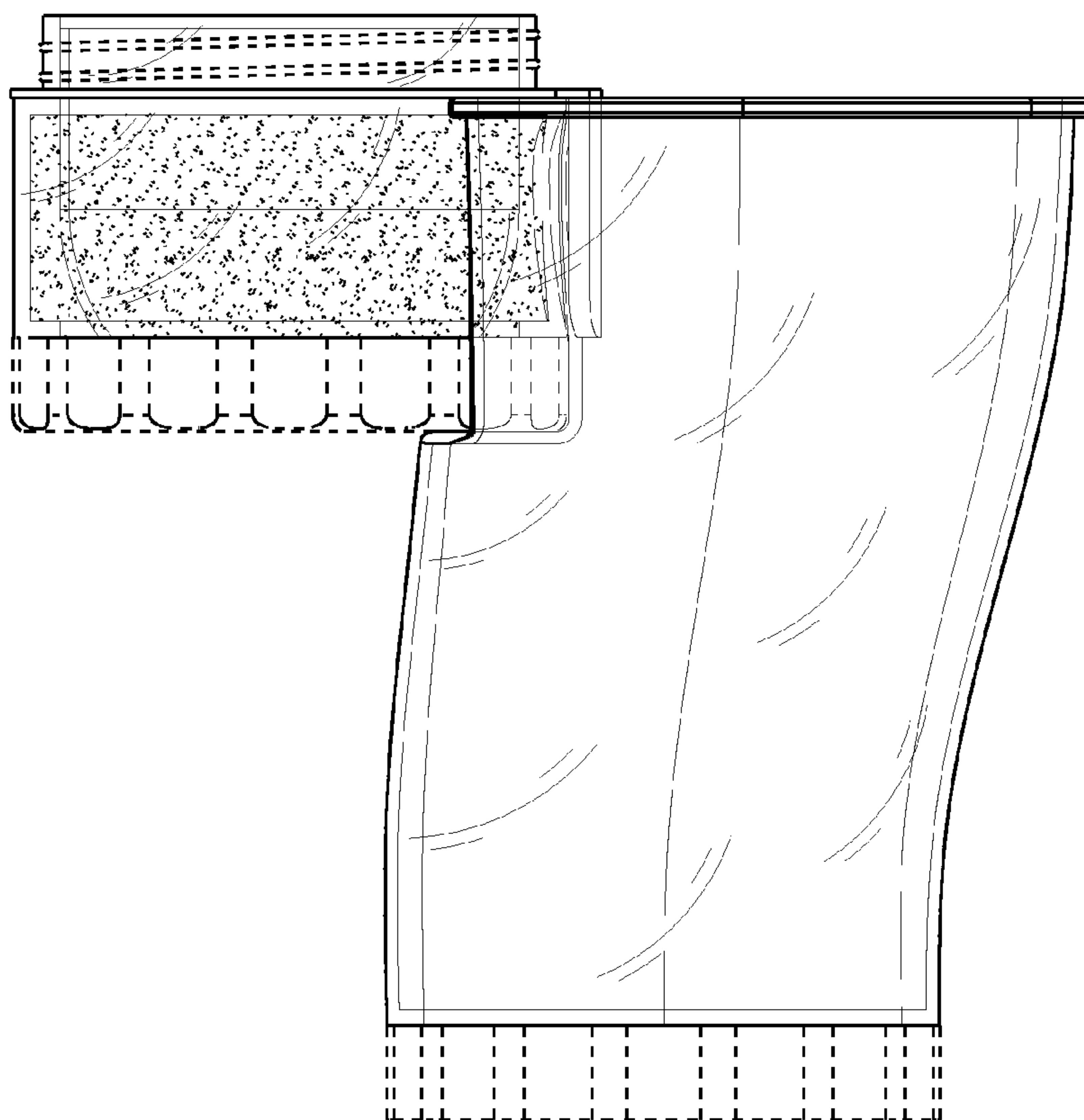
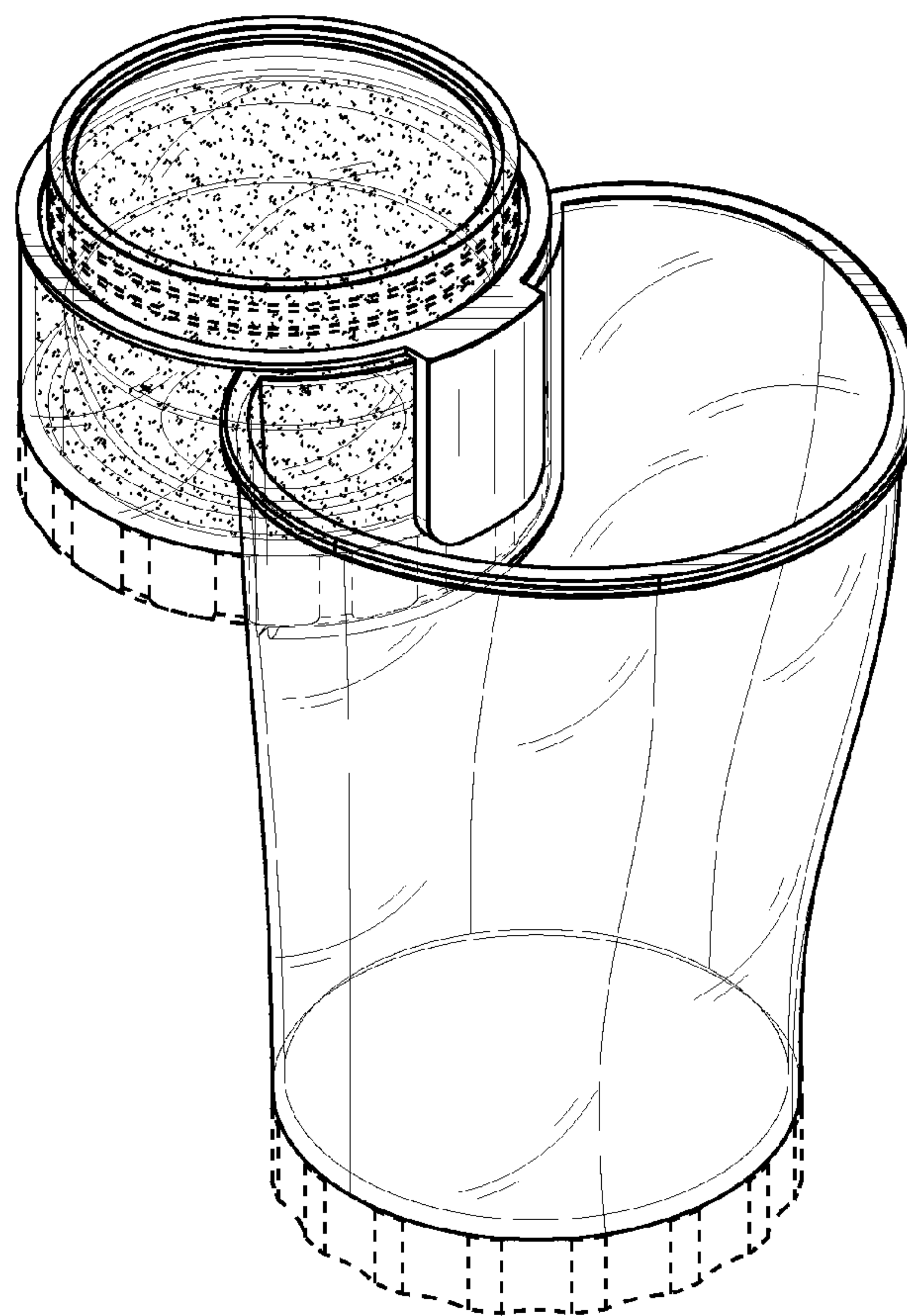


FIG. 9

FIG. 10

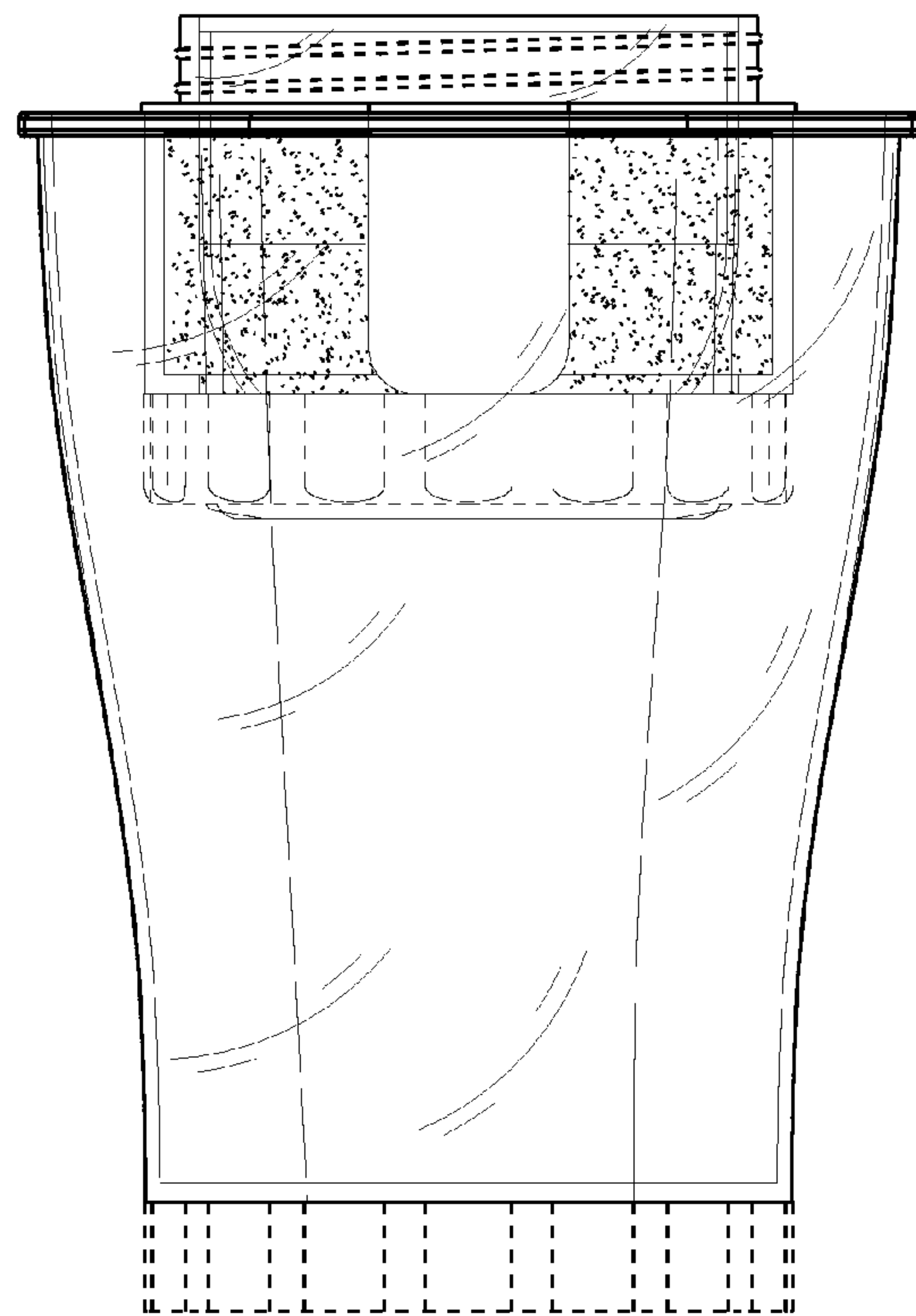
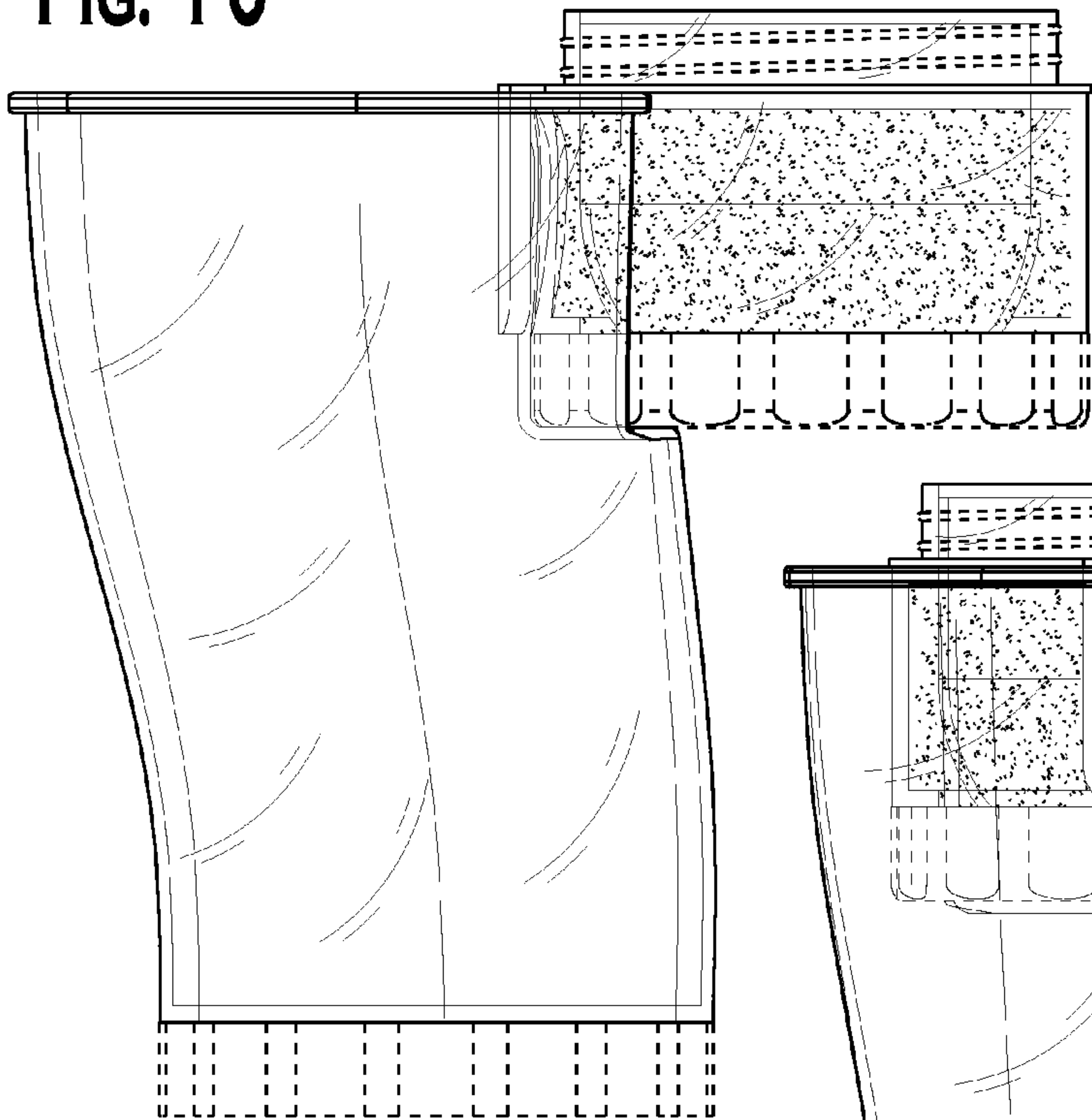


FIG. 11

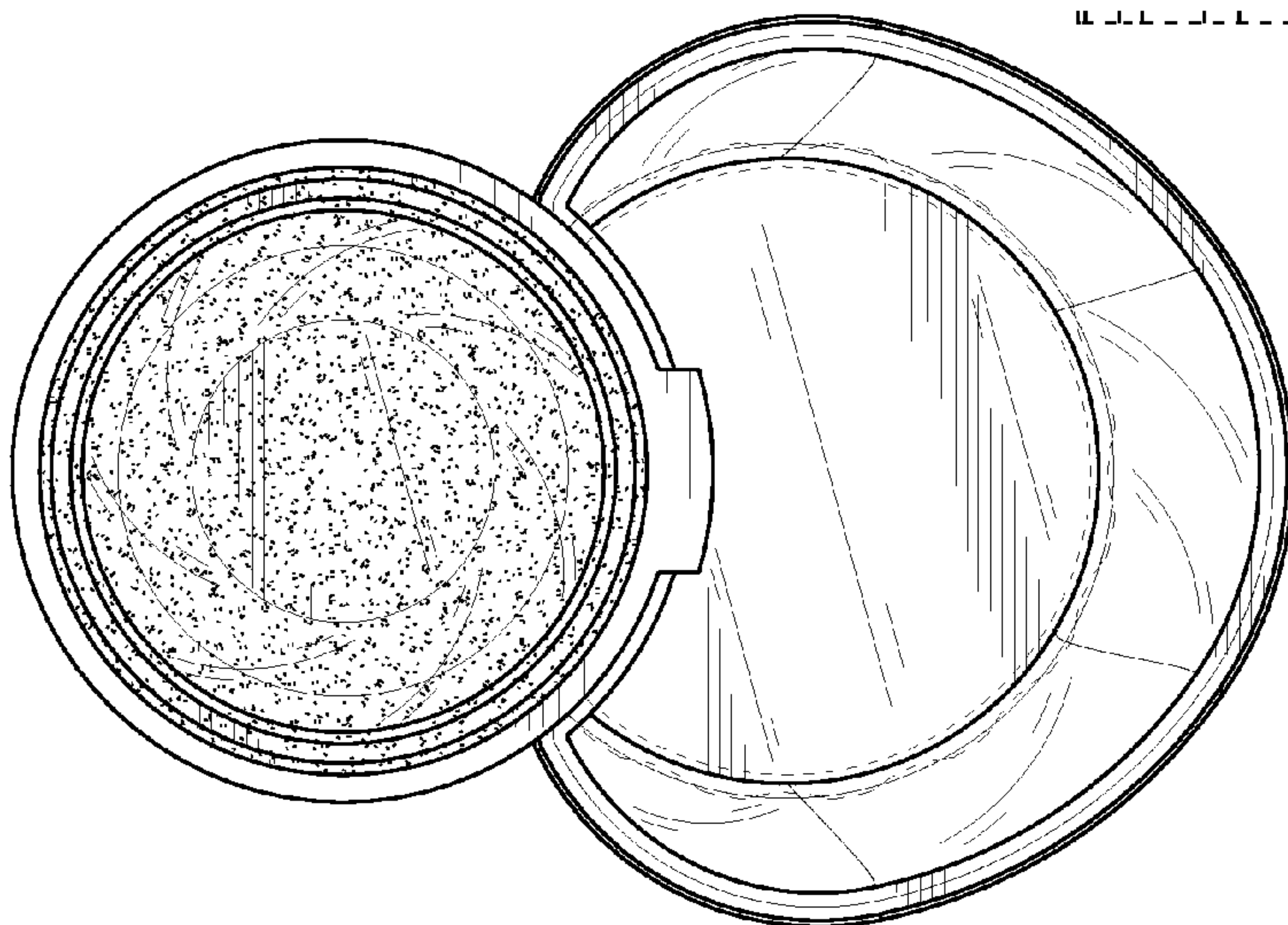


FIG. 12

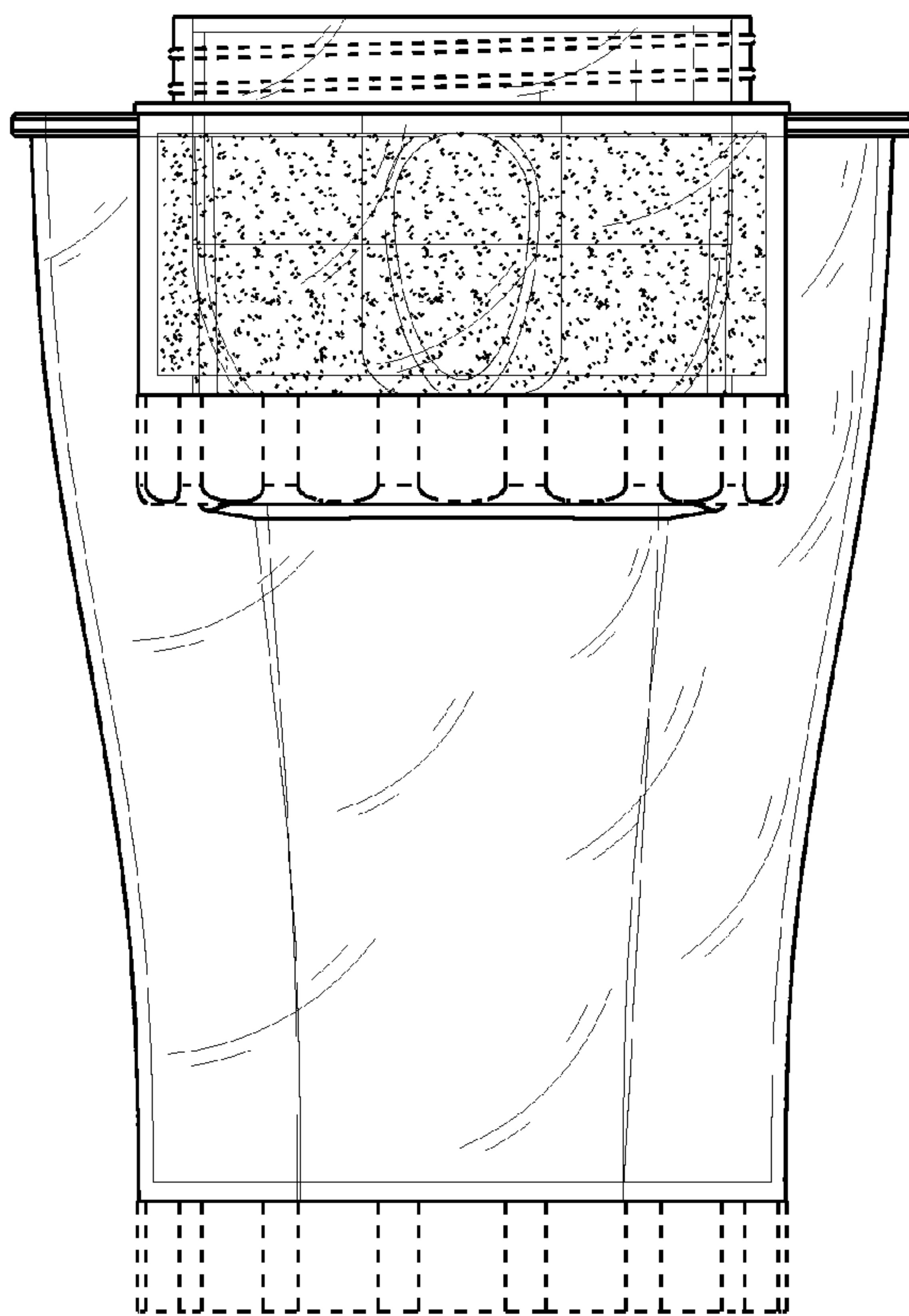


FIG. 13

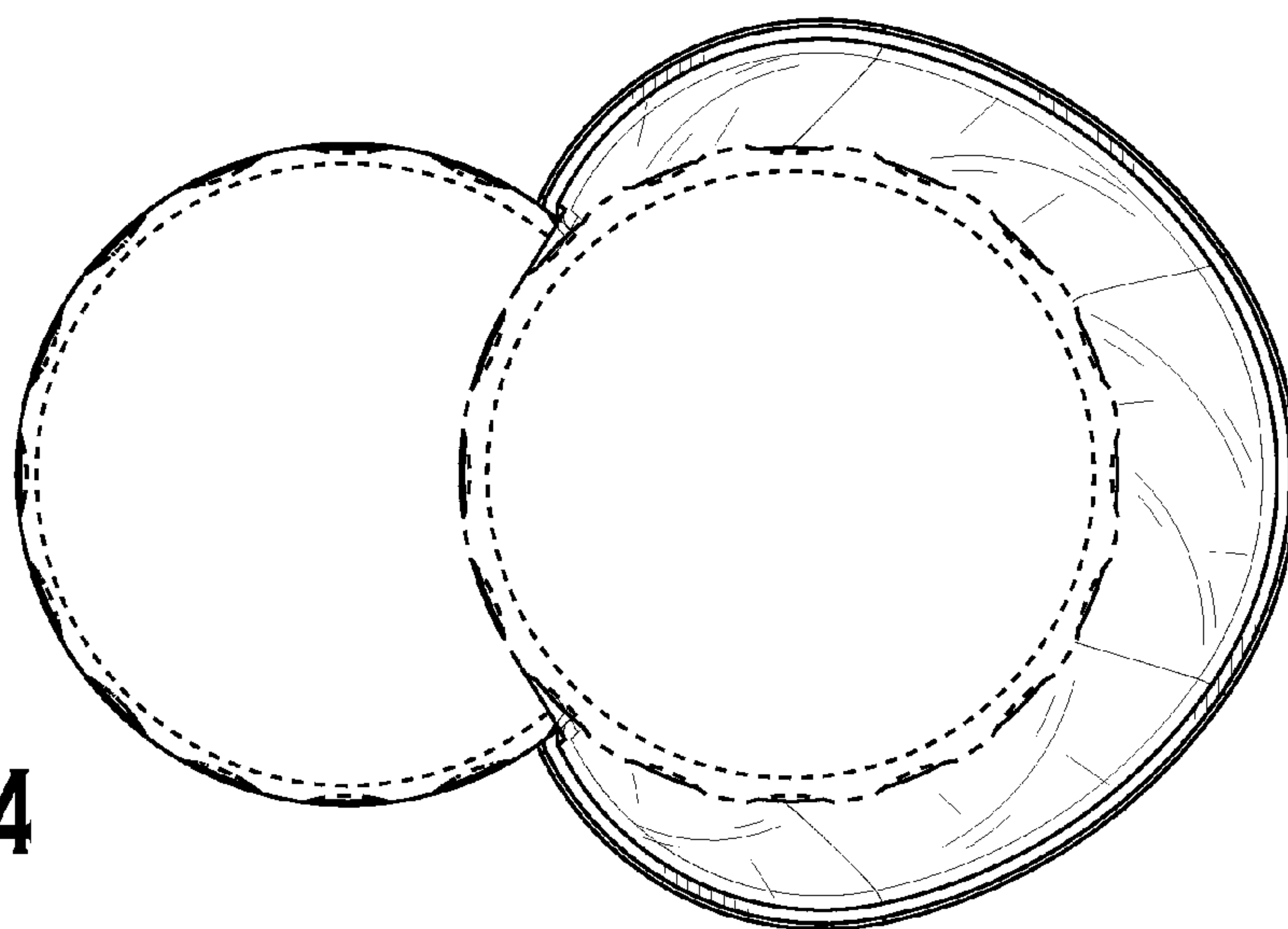


FIG. 14

FIG. 15

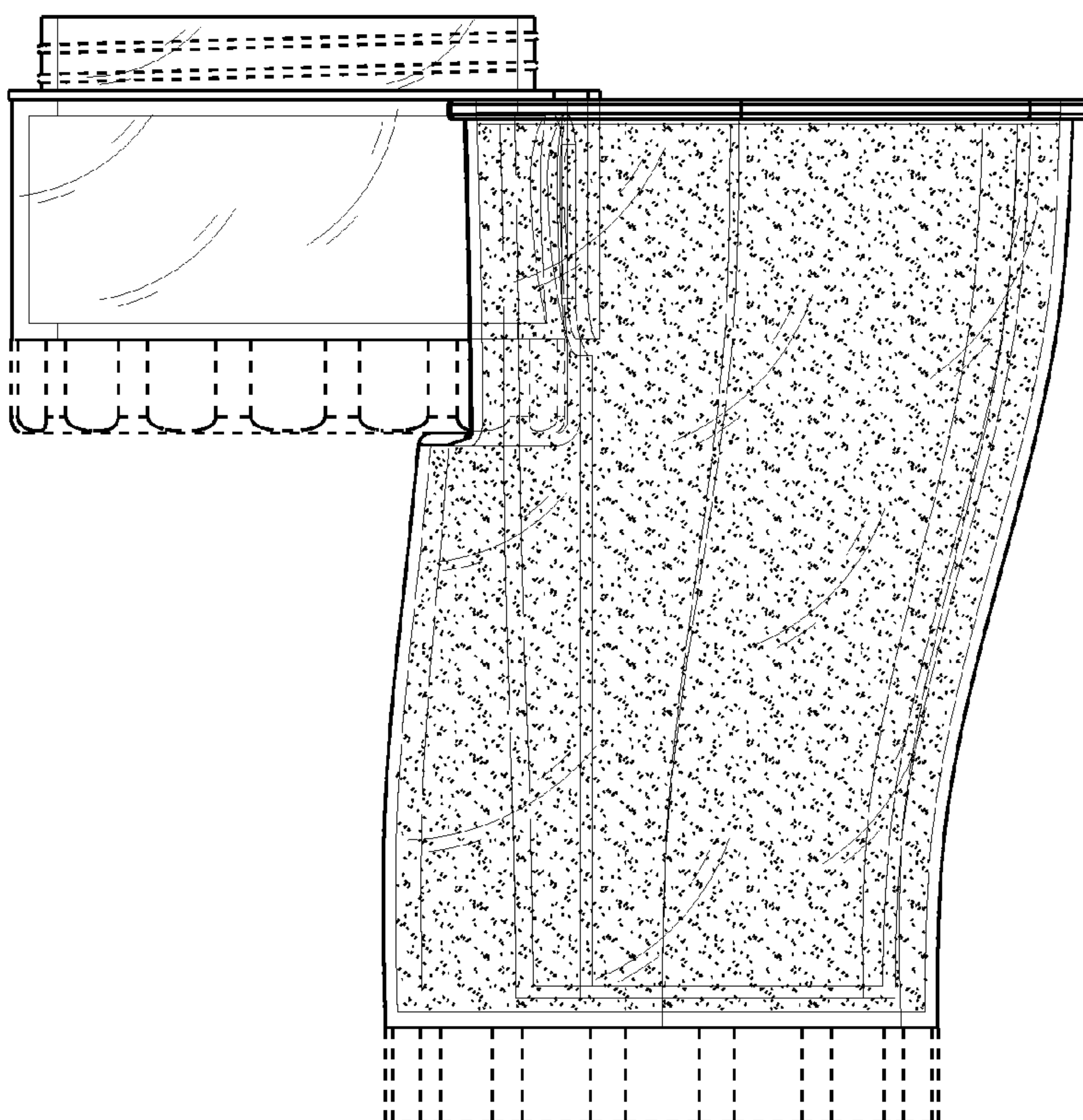
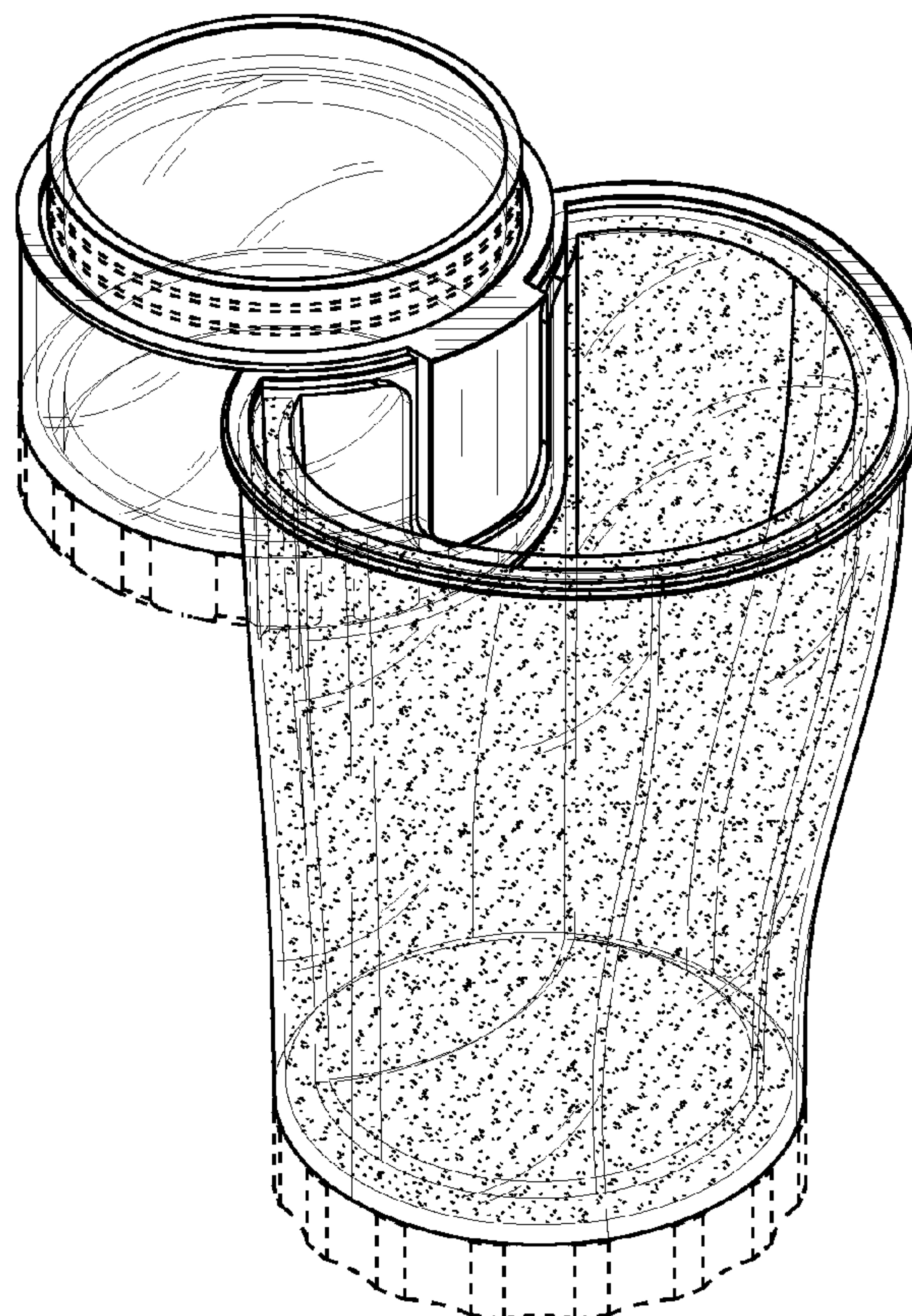


FIG. 16

FIG. 17

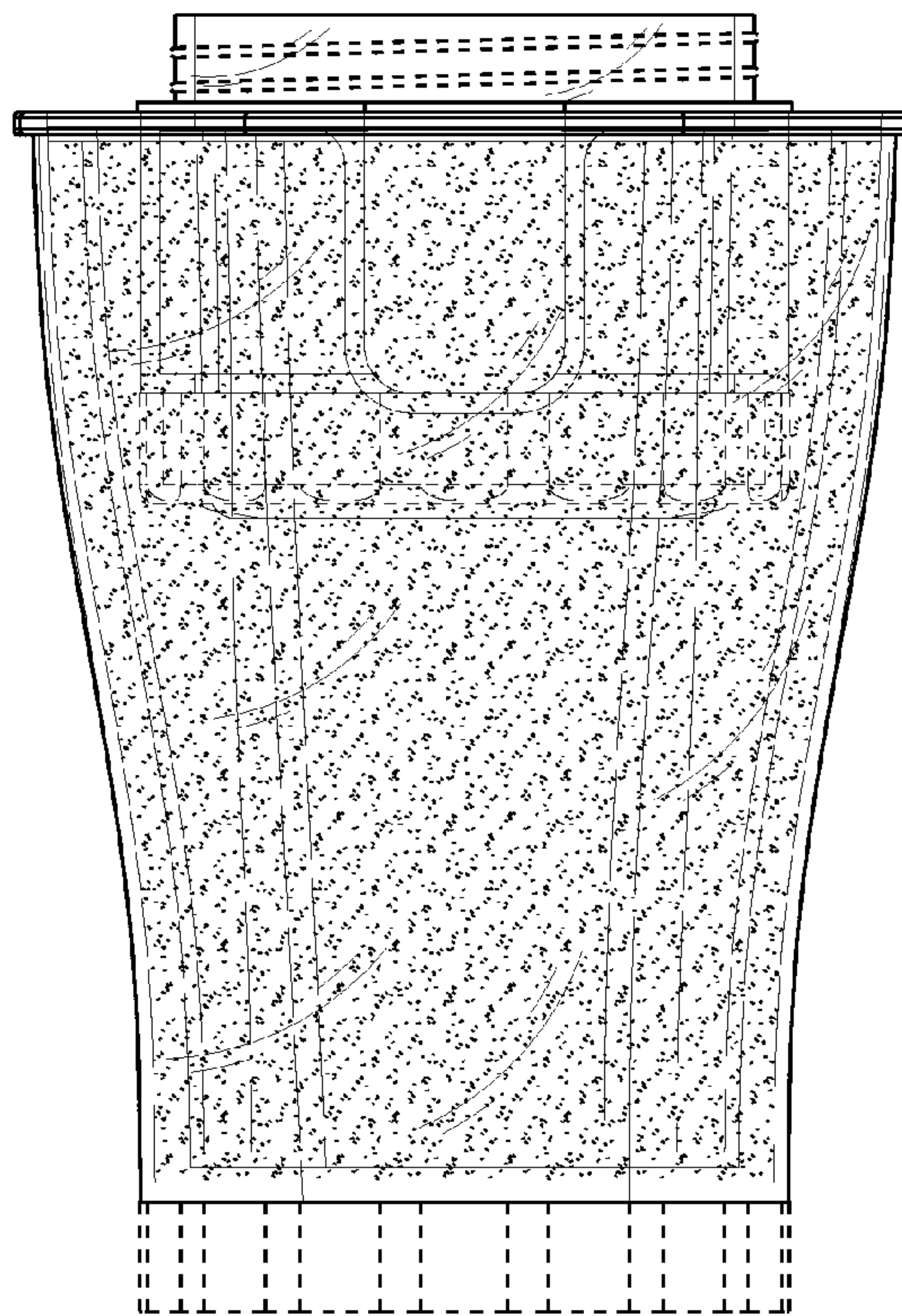
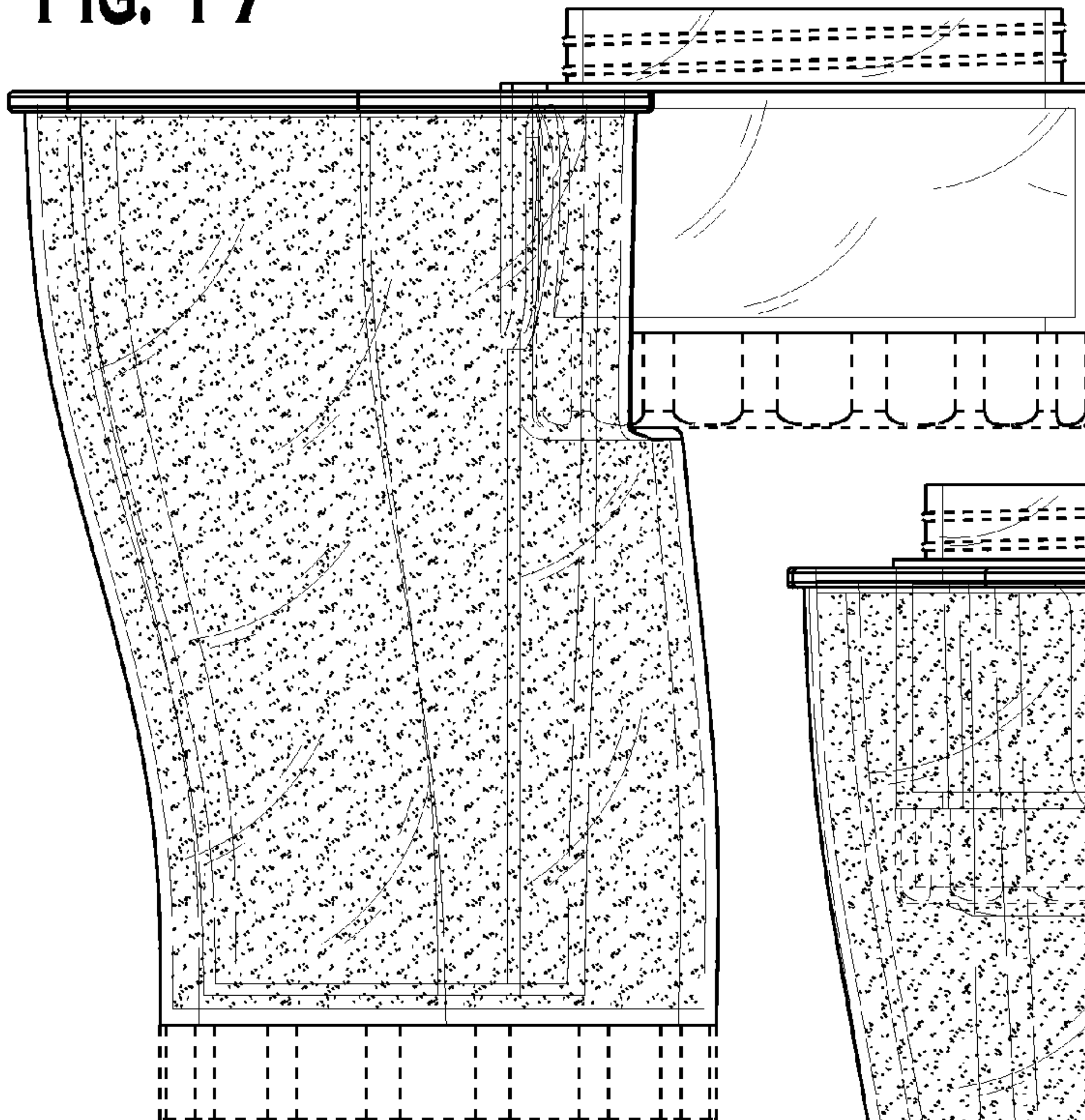


FIG. 18

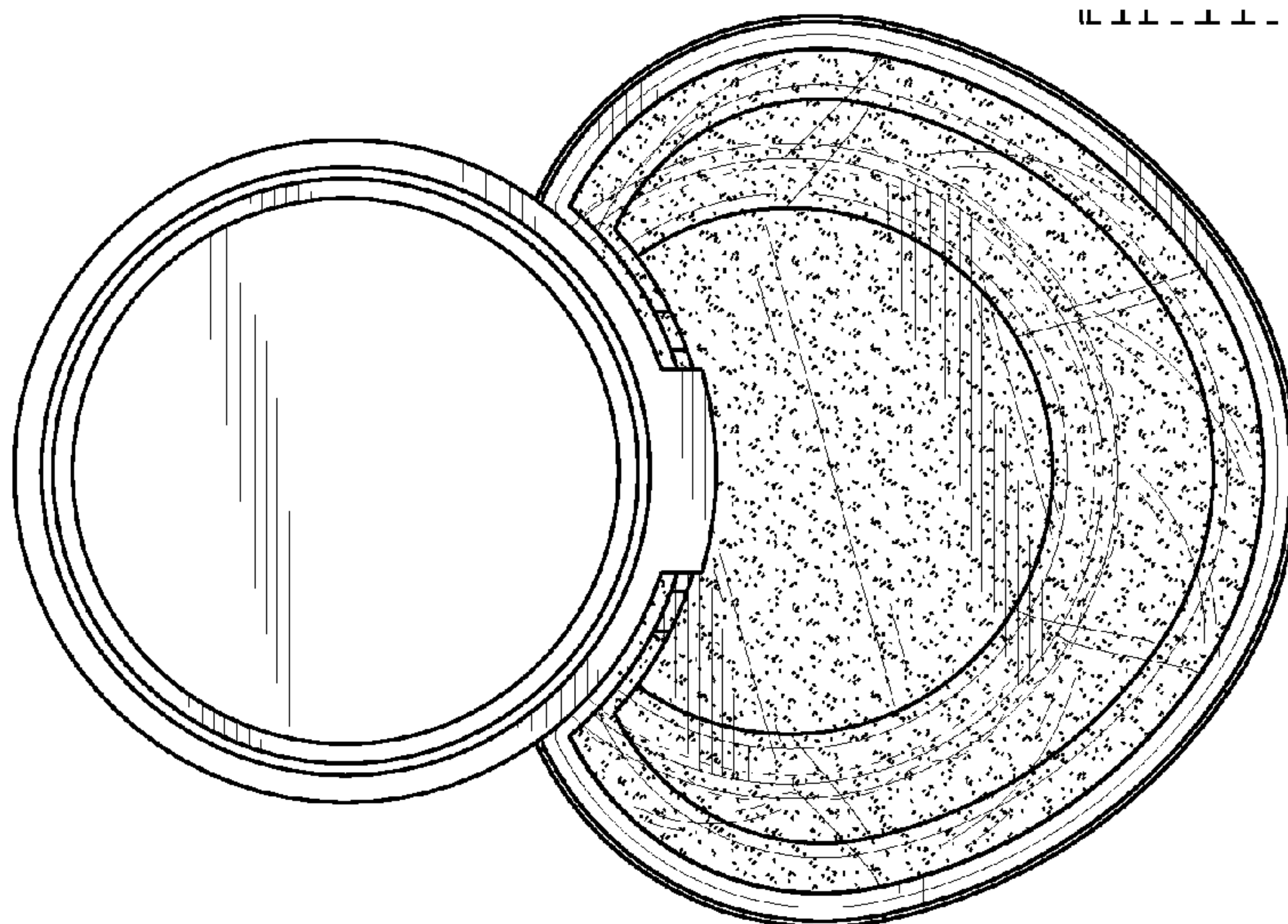


FIG. 19

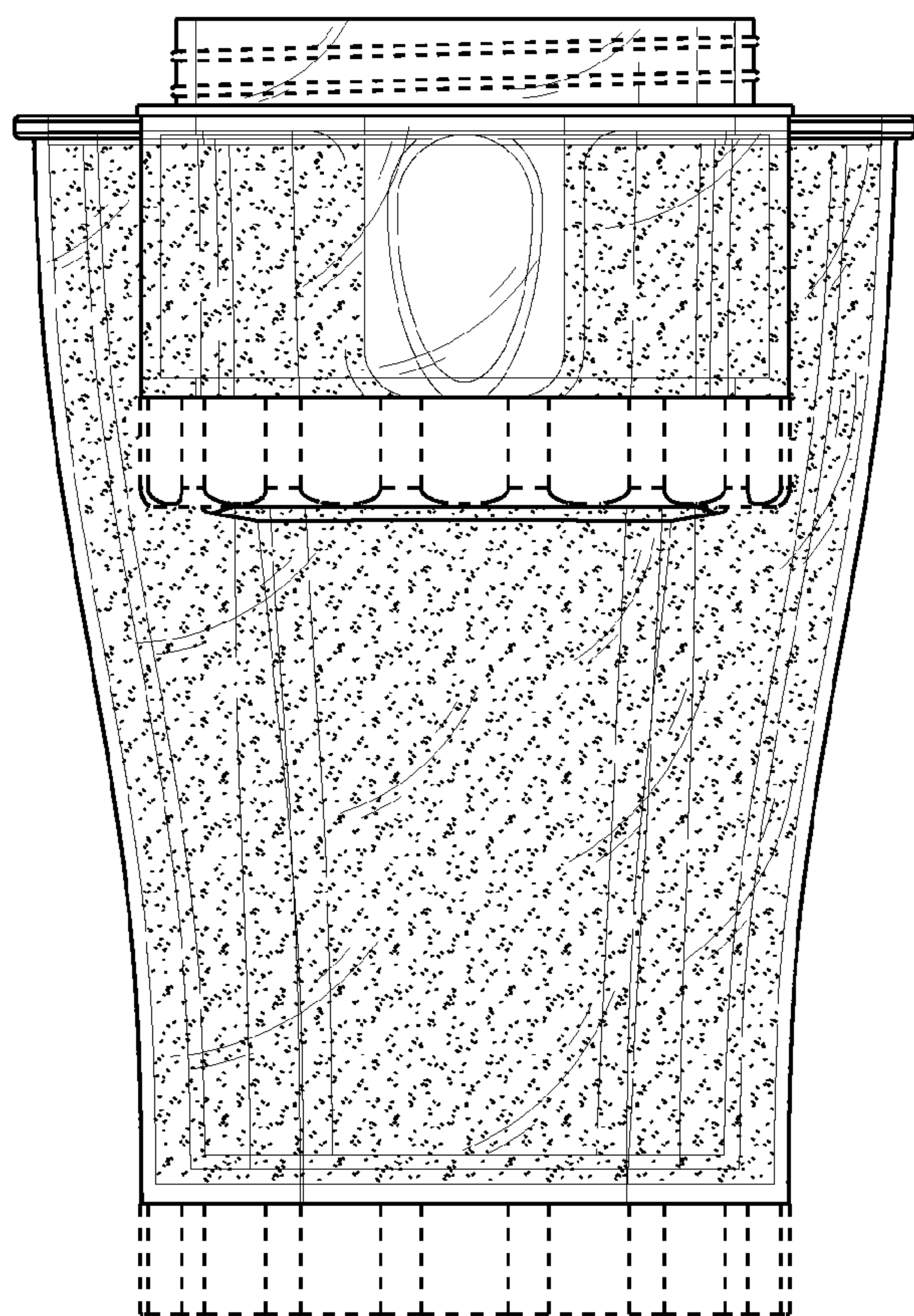


FIG. 20

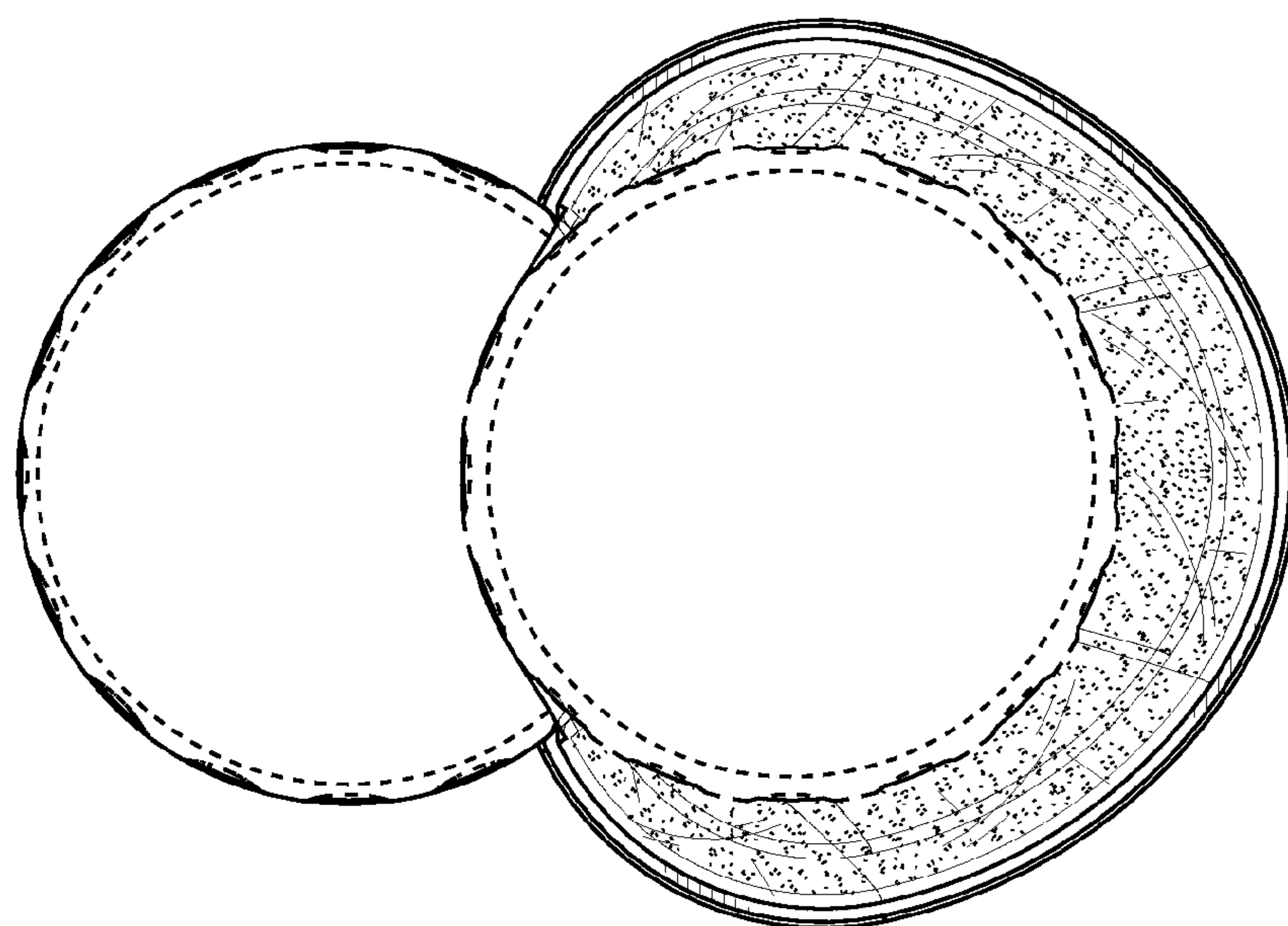


FIG. 21

FIG. 22

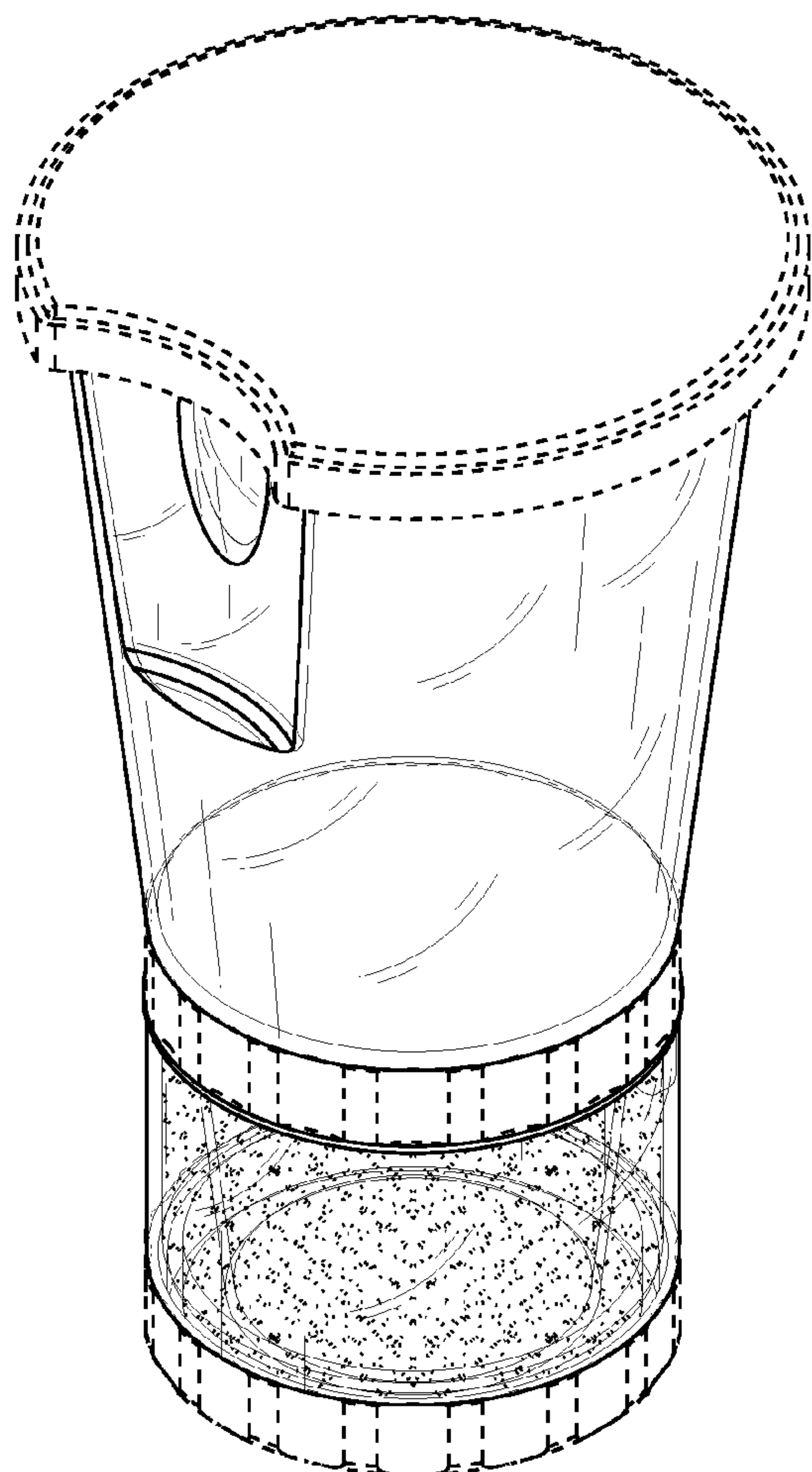
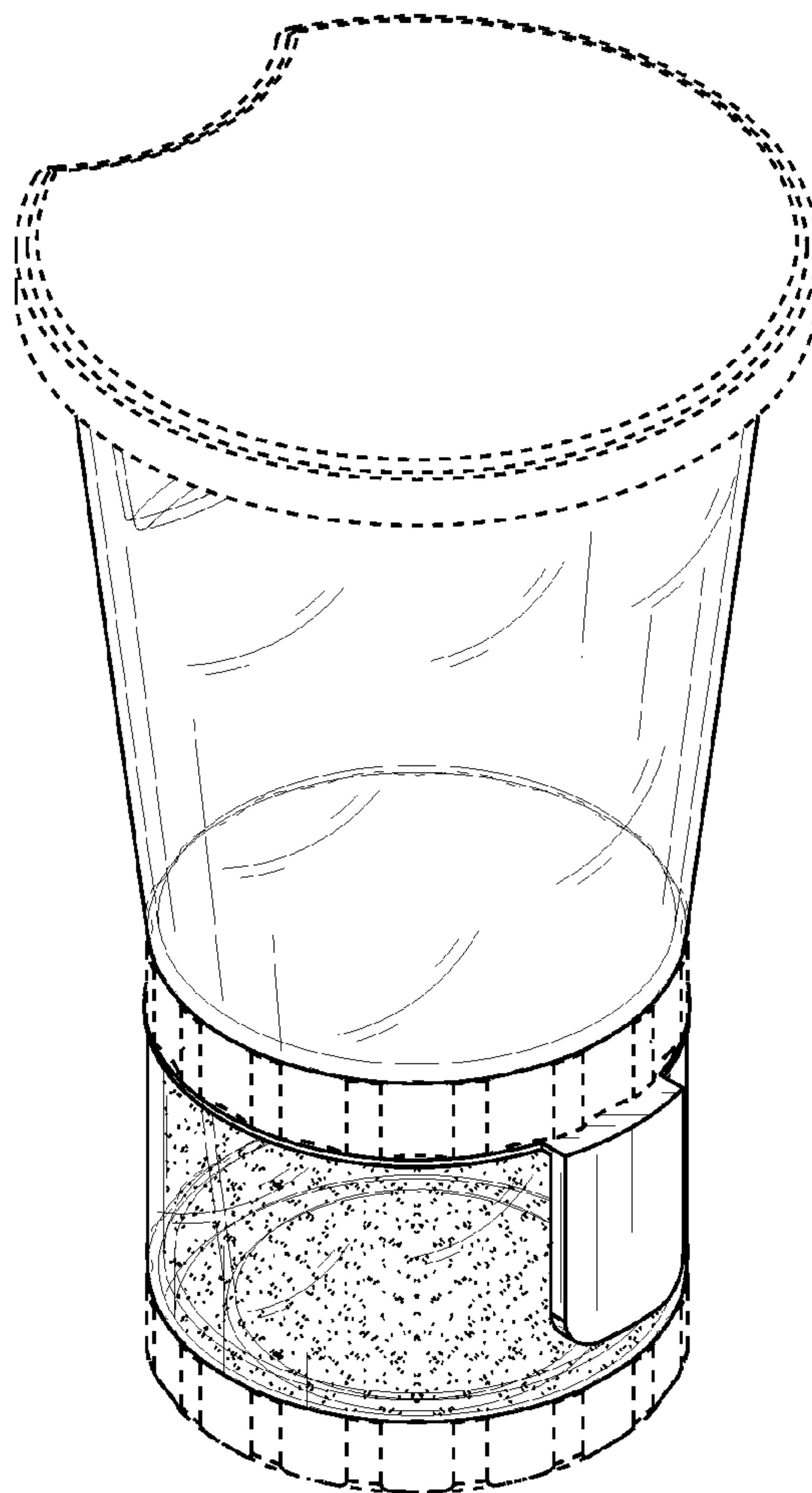


FIG. 23

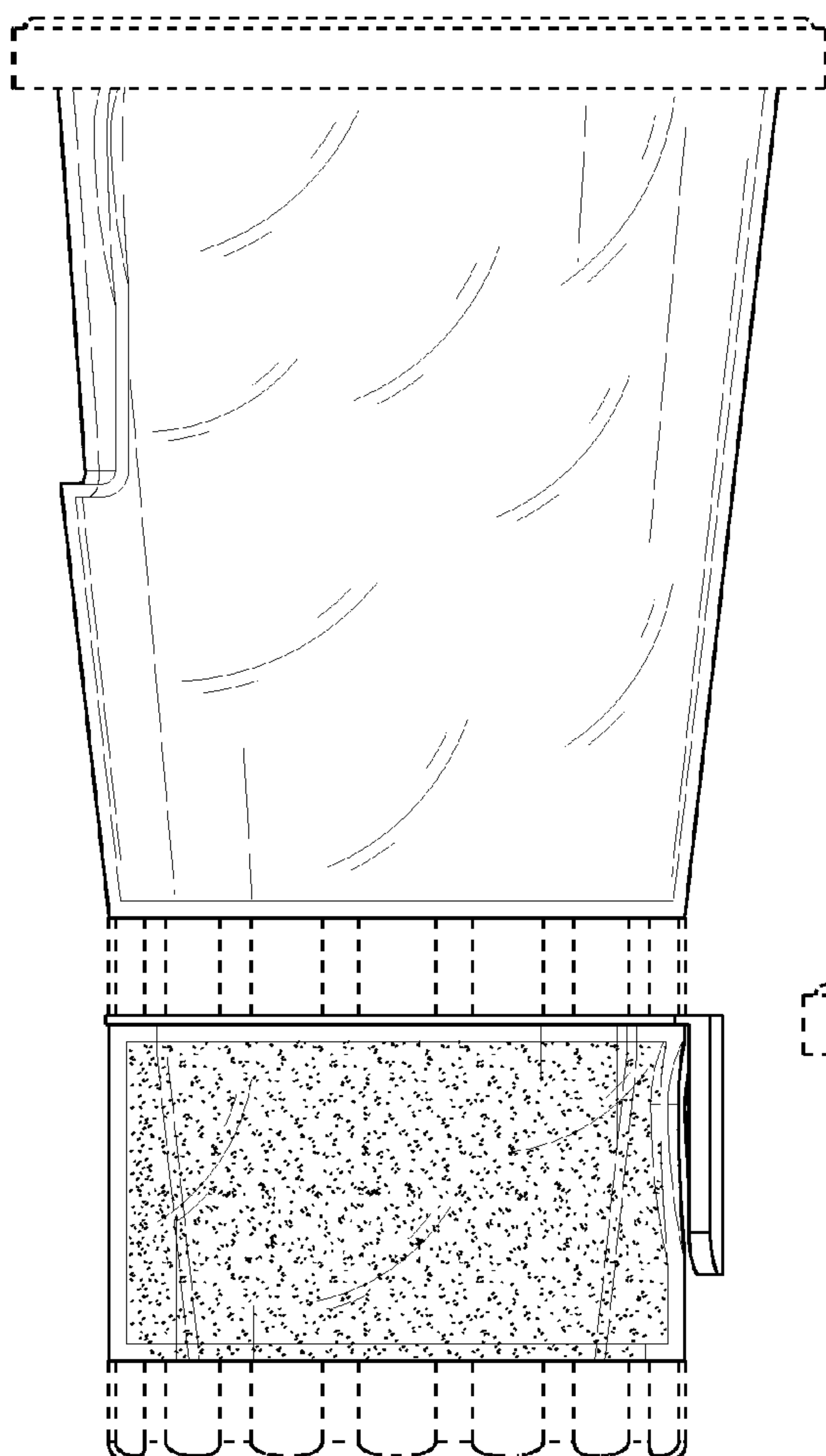


FIG. 24

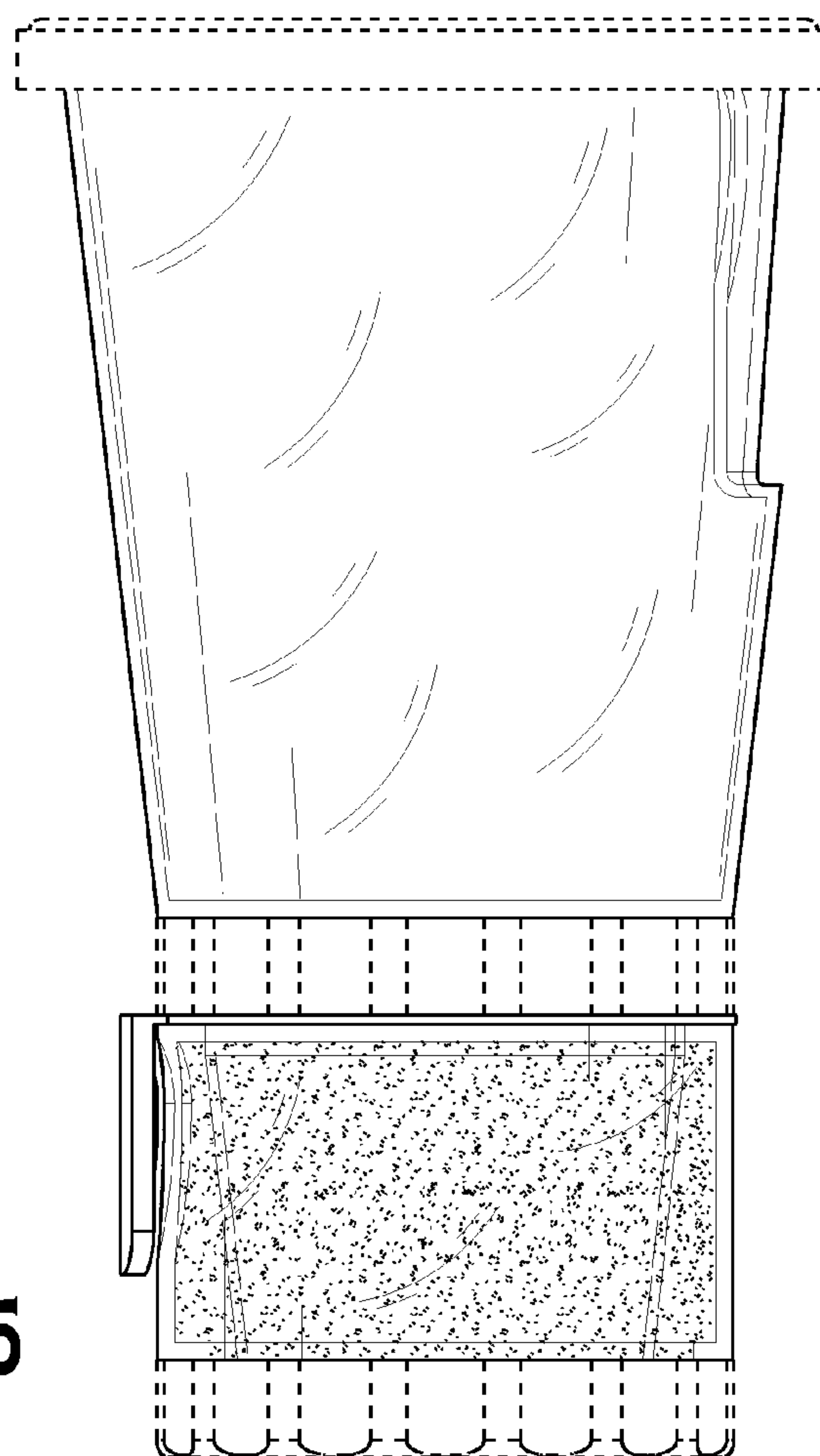


FIG. 25

FIG. 26

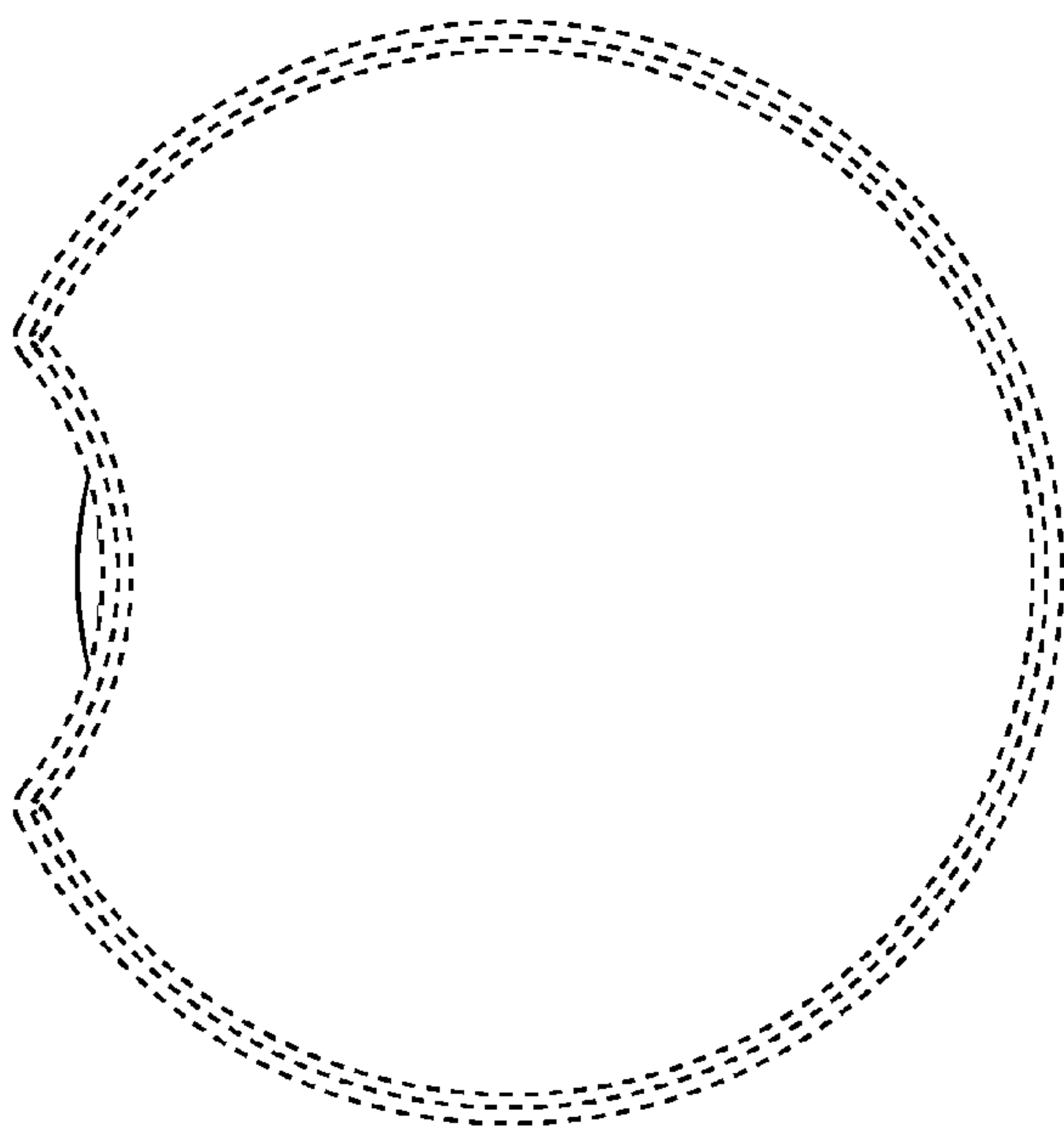
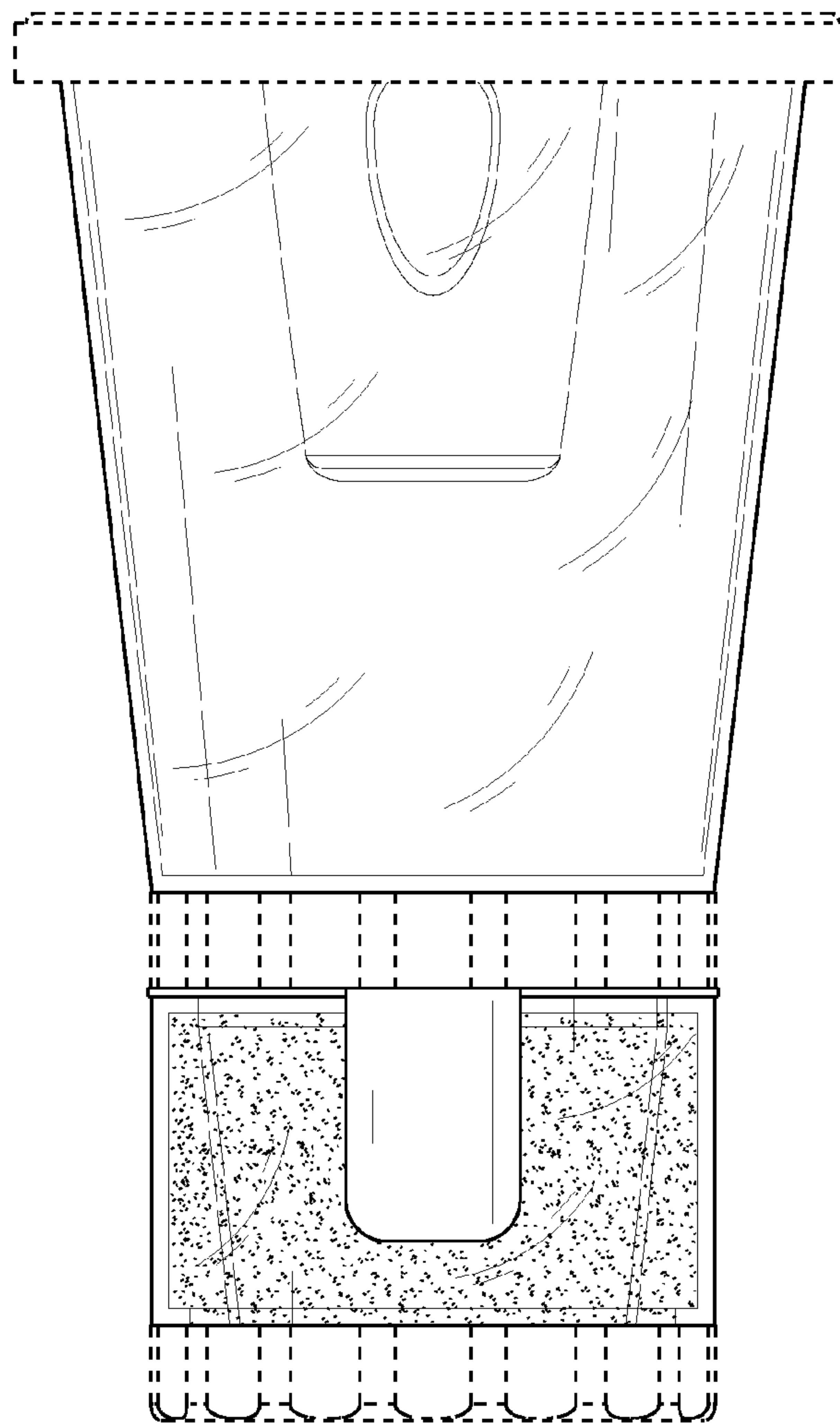


FIG. 27

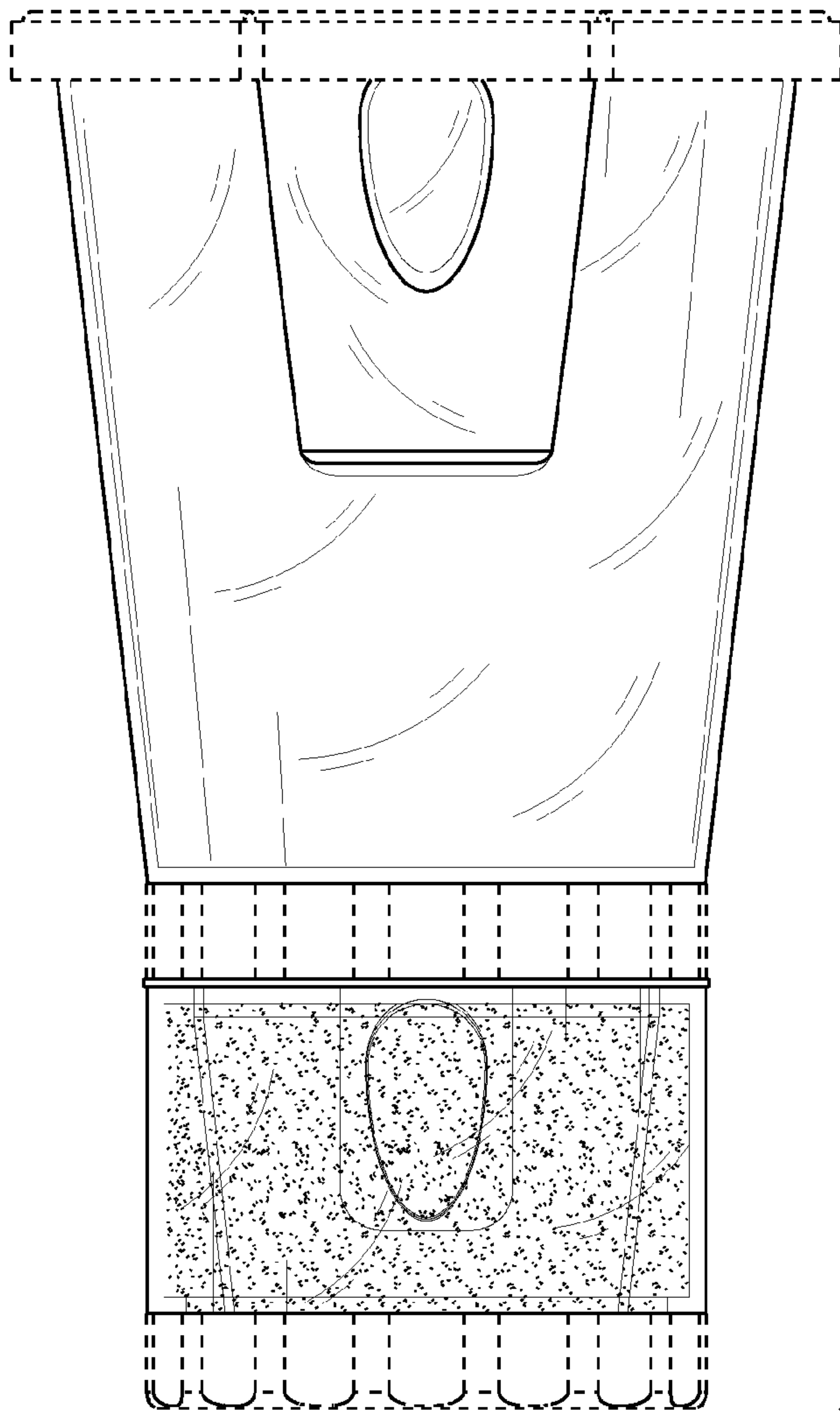


FIG. 28

FIG. 29

