



US00D587068S

(12) **United States Design Patent**
Rocco

(10) **Patent No.:** **US D587,068 S**

(45) **Date of Patent:** **** Feb. 24, 2009**

(54) **CUP WITH A BEVERAGE INDICATOR**

(76) Inventor: **Thomas T. Rocco**, 50-54 186th St.,
Fresh Meadows, NY (US) 11365

(**) Term: **14 Years**

(21) Appl. No.: **29/267,050**

(22) Filed: **Oct. 4, 2006**

(51) **LOC (9) Cl.** **07-01**

(52) **U.S. Cl.** **D7/507; D7/509; D7/624.1**

(58) **Field of Classification Search** **D7/500,**
D7/536, 509-511, 523, 584, 602, 507, 607;
D9/417, 430, 519, 522, 549, 444; D11/152,
D11/153; 215/387, DIG. 7; 206/217, 822;
220/254.5, 703, 715, 592.16, 592.17, 739;
D34/1

See application file for complete search history.

(56) **References Cited**

U.S. PATENT DOCUMENTS

| | | | | | |
|-----------|-----|---------|---------------|-------|----------|
| 3,574,957 | A * | 4/1971 | Bello-Bridick | | 434/173 |
| D224,778 | S * | 9/1972 | Cocci | | D10/46.2 |
| 4,877,119 | A | 10/1989 | Hosking | | |
| 5,492,077 | A | 2/1996 | Rose | | |
| 5,644,298 | A * | 7/1997 | Brooks et al. | | 340/612 |
| 5,839,581 | A | 11/1998 | Vagedes | | |

| | | | | | |
|--------------|------|---------|-----------------|-------|-----------|
| D404,969 | S * | 2/1999 | Krenzler | | D7/507 |
| 6,814,253 | B2 * | 11/2004 | Wong | | 220/739 |
| D529,341 | S * | 10/2006 | Hsu | | D7/523 |
| D548,077 | S * | 8/2007 | Rocco | | D9/444 |
| 2004/0060840 | A1 * | 4/2004 | Williams et al. | | 206/459.5 |
| 2004/0128877 | A1 * | 7/2004 | Luedde | | 40/306 |
| 2006/0186129 | A1 * | 8/2006 | Allnutt et al. | | 220/737 |
| 2007/0181591 | A1 * | 8/2007 | Pierce et al. | | 220/801 |
| 2007/0212501 | A1 * | 9/2007 | Wolfe et al. | | 428/34.1 |

* cited by examiner

Primary Examiner—Philip S Hyder

Assistant Examiner—Cynthia Underwood

(74) *Attorney, Agent, or Firm*—The Farrell Law Firm, PC

(57) **CLAIM**

The ornamental design for a cup with a beverage indicator, as shown and described.

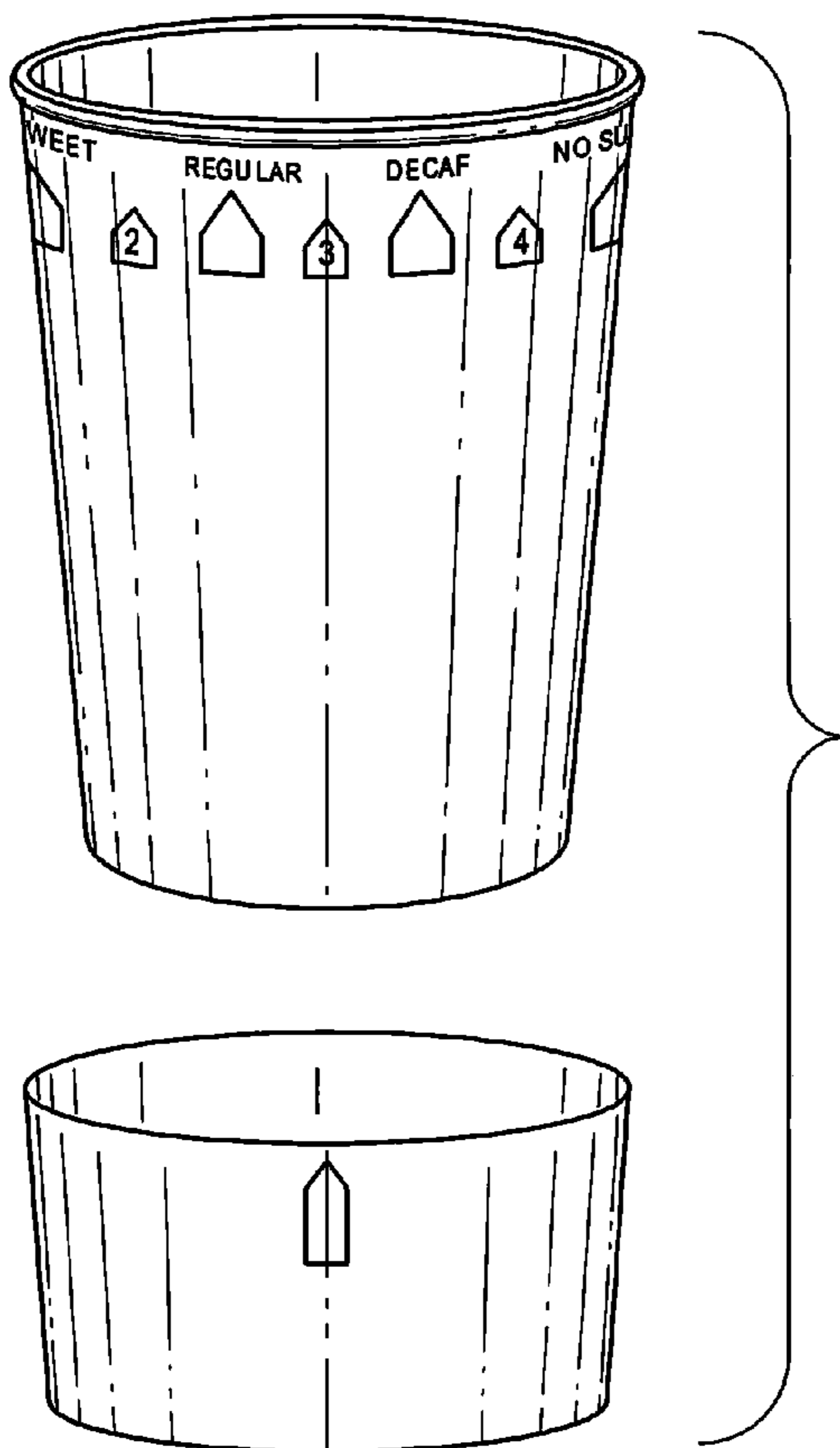
DESCRIPTION

FIG. 1 is an exploded plan view illustrating a sleeve and a cup with a beverage indicator in accordance with the design;

FIG. 2 is an exploded perspective view illustrating the sleeve and the cup with the beverage indicator of FIG. 1; and,

FIG. 3 is a perspective view of the cup with the beverage indicator and the sleeve shown in FIGS. 1 and 2.

1 Claim, 3 Drawing Sheets



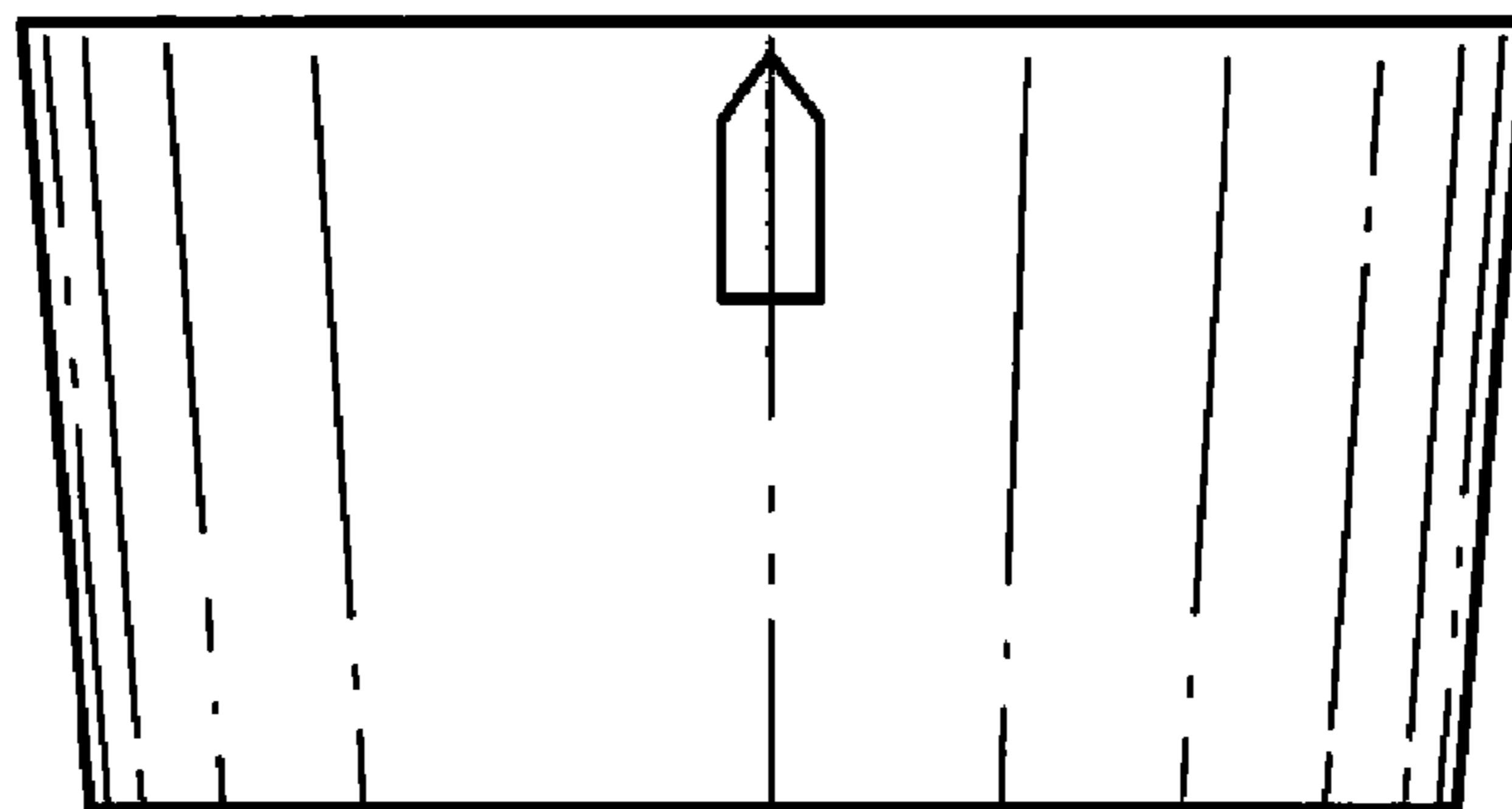
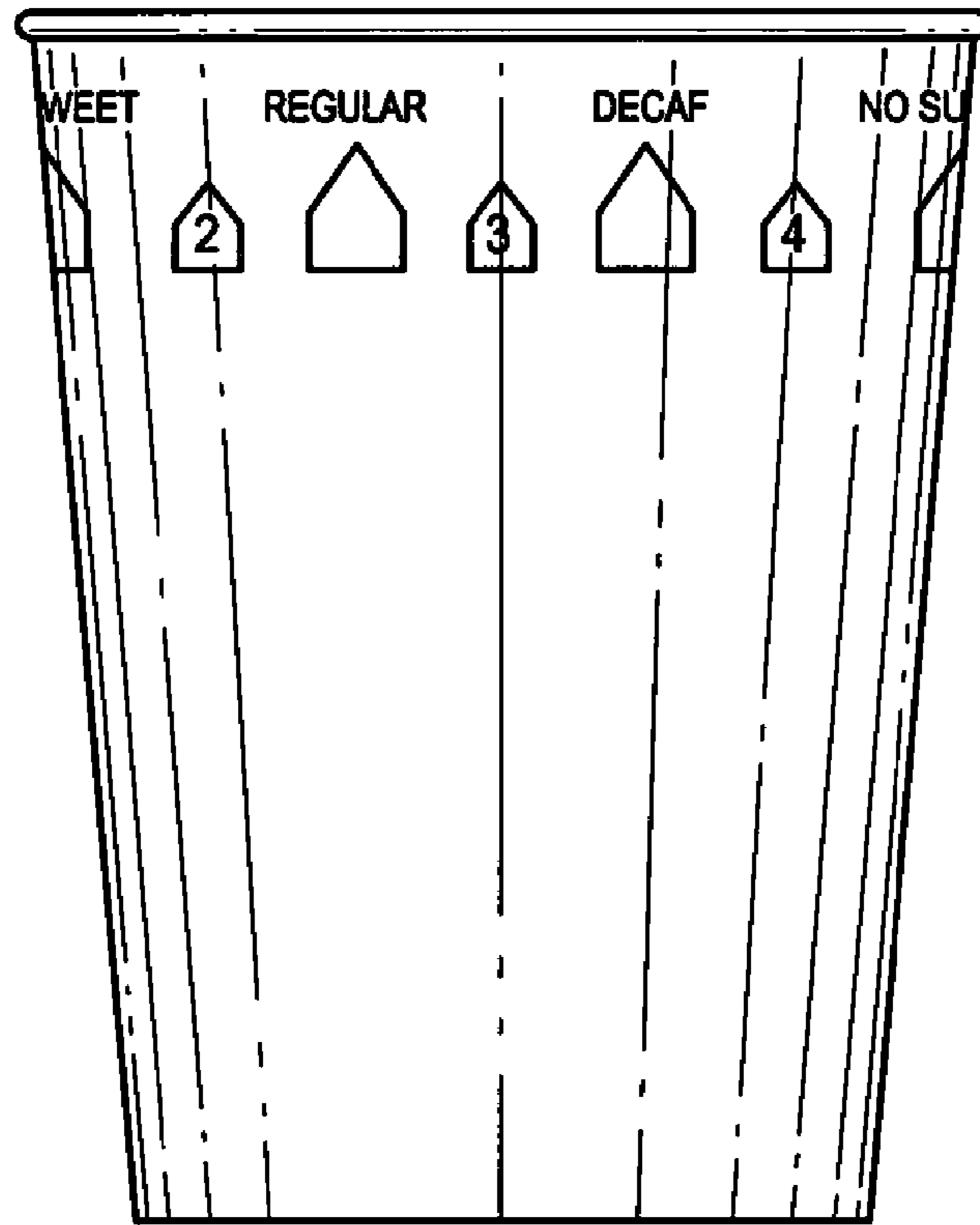


FIG. 1

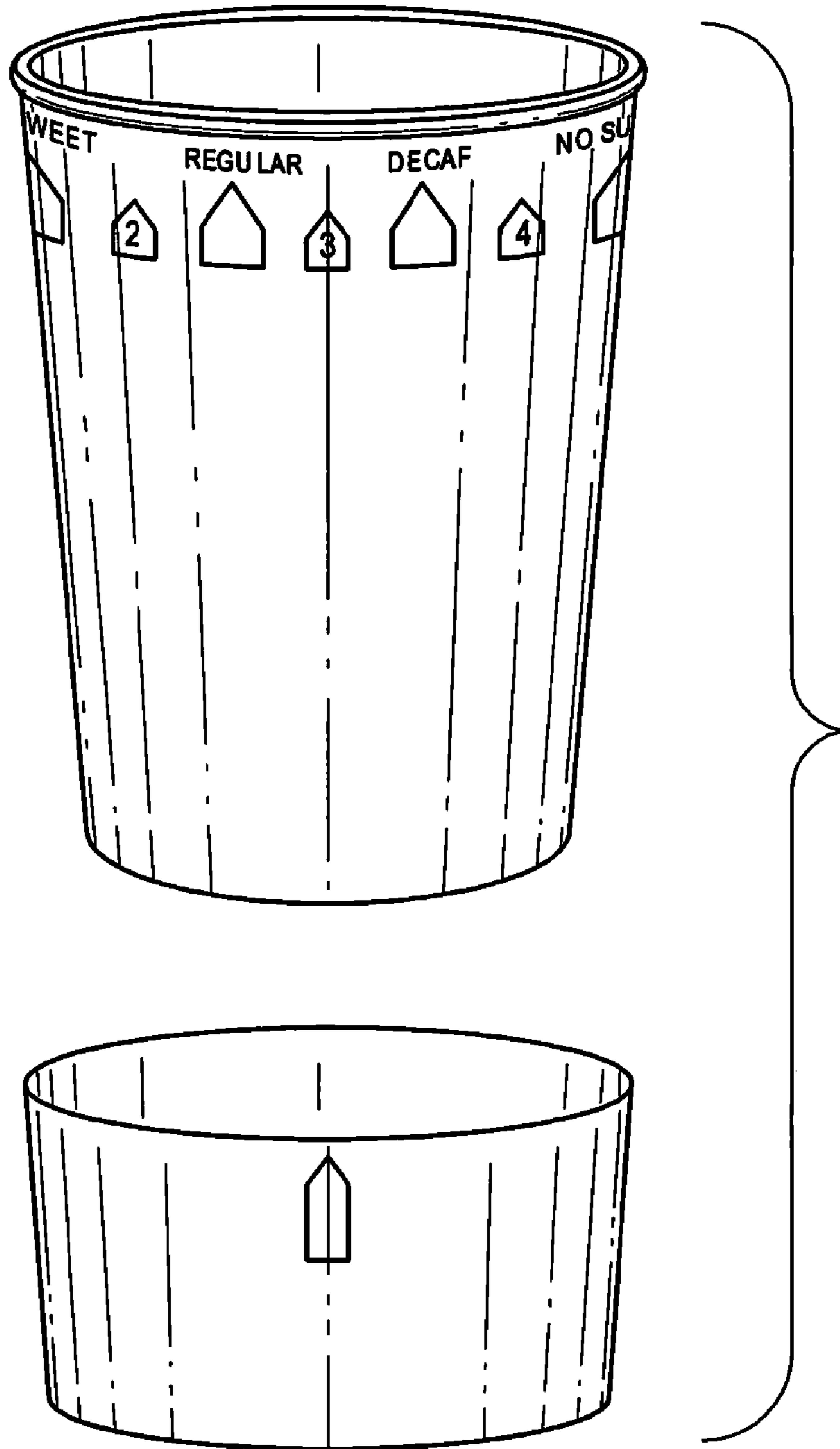


FIG. 2

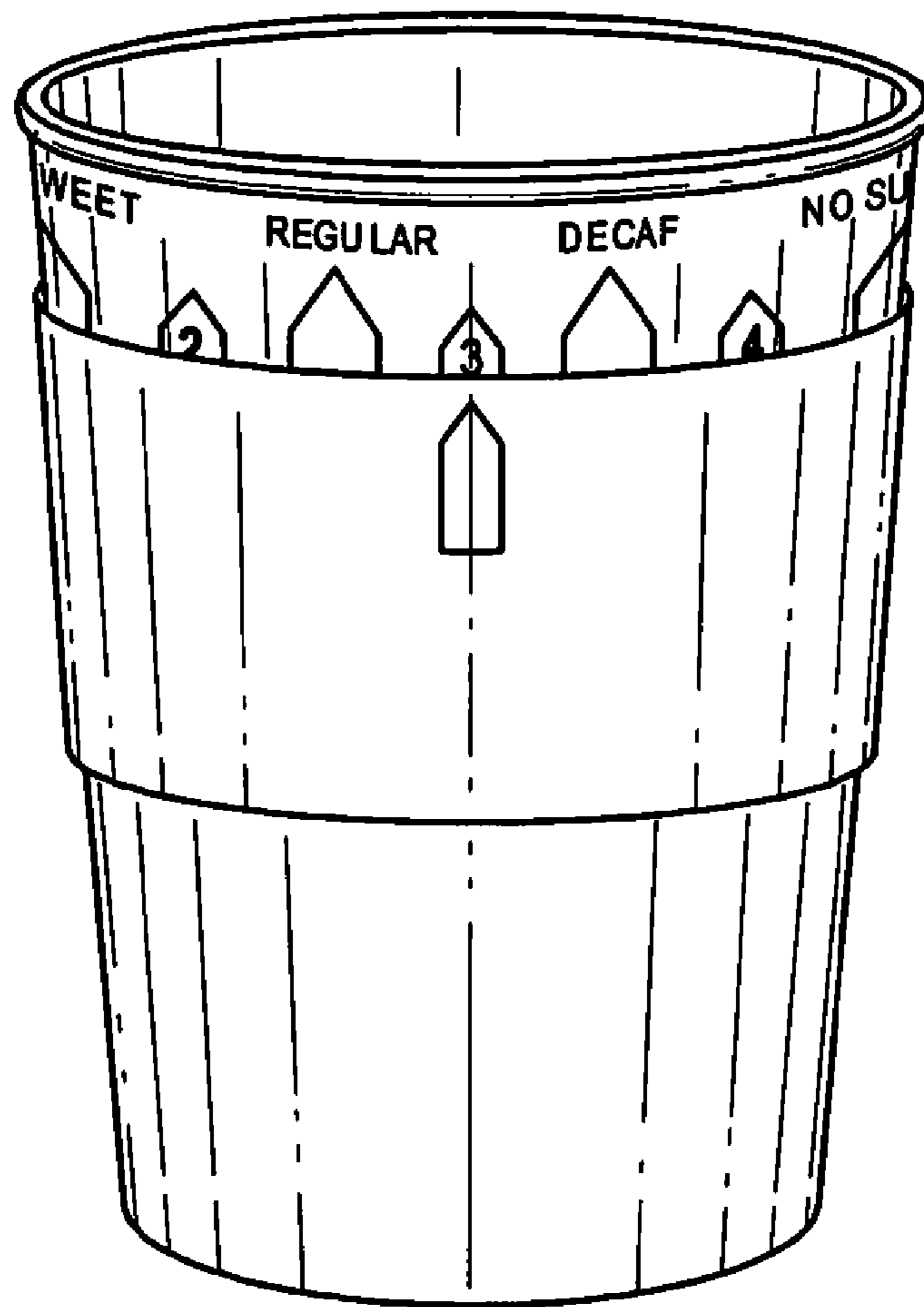


FIG. 3