



US00D587067S

(12) **United States Design Patent**  
**Kim**

(10) **Patent No.:** **US D587,067 S**

(45) **Date of Patent:** **\*\* Feb. 24, 2009**

(54) **OVEN HANDLE**

(75) Inventor: **Kang Doo Kim**, Kyunggi-do (KR)

(73) Assignee: **Samsung Electronics Co., Ltd.**, Suwon (KR)

(\*\*) Term: **14 Years**

(21) Appl. No.: **29/294,627**

(22) Filed: **Jan. 18, 2008**

(51) **LOC (9) Cl.** ..... **07-02**

(52) **U.S. Cl.** ..... **D7/402**

(58) **Field of Classification Search** ..... D7/402-406,  
D7/339-341, 346-351; D8/300-301, 306,  
D8/315-320, 338, 352-353, DIG. 1; 16/110 R,  
16/111 R, 412-415, 436, DIG. 18, DIG. 19;  
126/39 R, 39 B, 19 R, 273 A  
See application file for complete search history.

(56) **References Cited**

**U.S. PATENT DOCUMENTS**

D190,266 S *	5/1961	Young	.....	D8/316
D218,619 S *	9/1970	Williams	.....	D8/316
D266,122 S *	9/1982	Haug	.....	D8/316
D370,617 S *	6/1996	Decursu et al.	.....	D8/316
D400,424 S *	11/1998	Lewis et al.	.....	D8/316
D424,873 S *	5/2000	Holbrook	.....	D7/402
D449,215 S *	10/2001	Bertani	.....	D8/316
D471,403 S *	3/2003	Jones et al.	.....	D7/405

D488,699 S *	4/2004	Jackovin	.....	D8/316
D511,955 S *	11/2005	Baldwin et al.	.....	D8/301
D513,694 S *	1/2006	Vitkauskas	.....	D8/300
D524,103 S *	7/2006	Bradshaw	.....	D7/405
D568,100 S *	5/2008	Jeon	.....	D7/402

\* cited by examiner

*Primary Examiner*—Robert A. Delehanty

*Assistant Examiner*—Mark Cavanna

(74) *Attorney, Agent, or Firm*—Ladas & Parry LLP

(57) **CLAIM**

The ornamental design for a oven handle, as shown and described.

**DESCRIPTION**

FIG. 1 is a front/left-side/top perspective view of a oven handle showing our new design;

FIG. 2 is a front-side elevational view thereof;

FIG. 3 is a rear-side elevational view thereof;

FIG. 4 is a left-side elevational view thereof;

FIG. 5 is a right-side elevational view thereof;

FIG. 6 is a top-side elevational view thereof; and,

FIG. 7 is a bottom-side elevational view thereof.

The broken lines shown in the end of the oven handle are included for the purpose of illustrating a portion of the faucet set that forms no part of the claimed design.

**1 Claim, 2 Drawing Sheets**

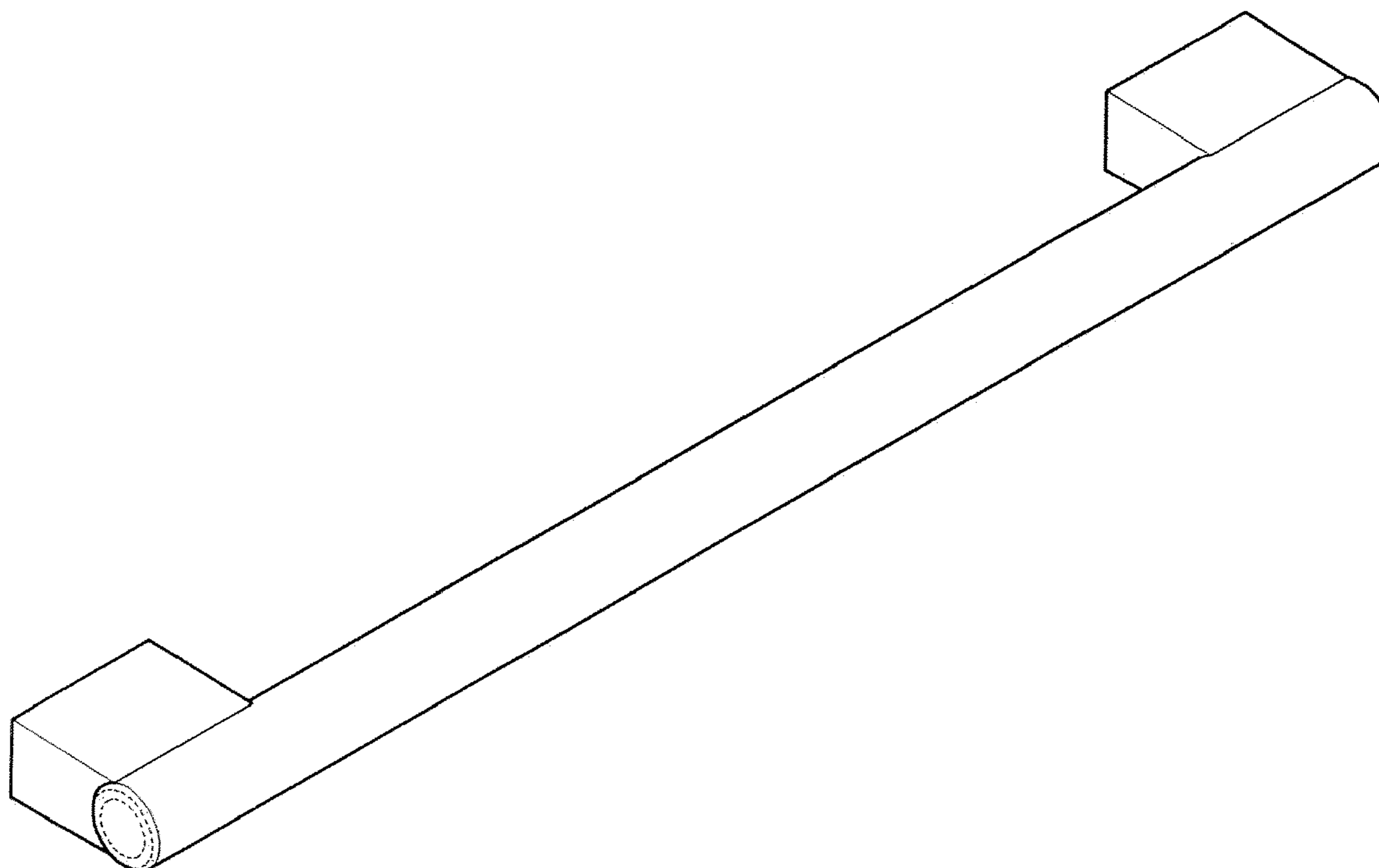


FIG. 1

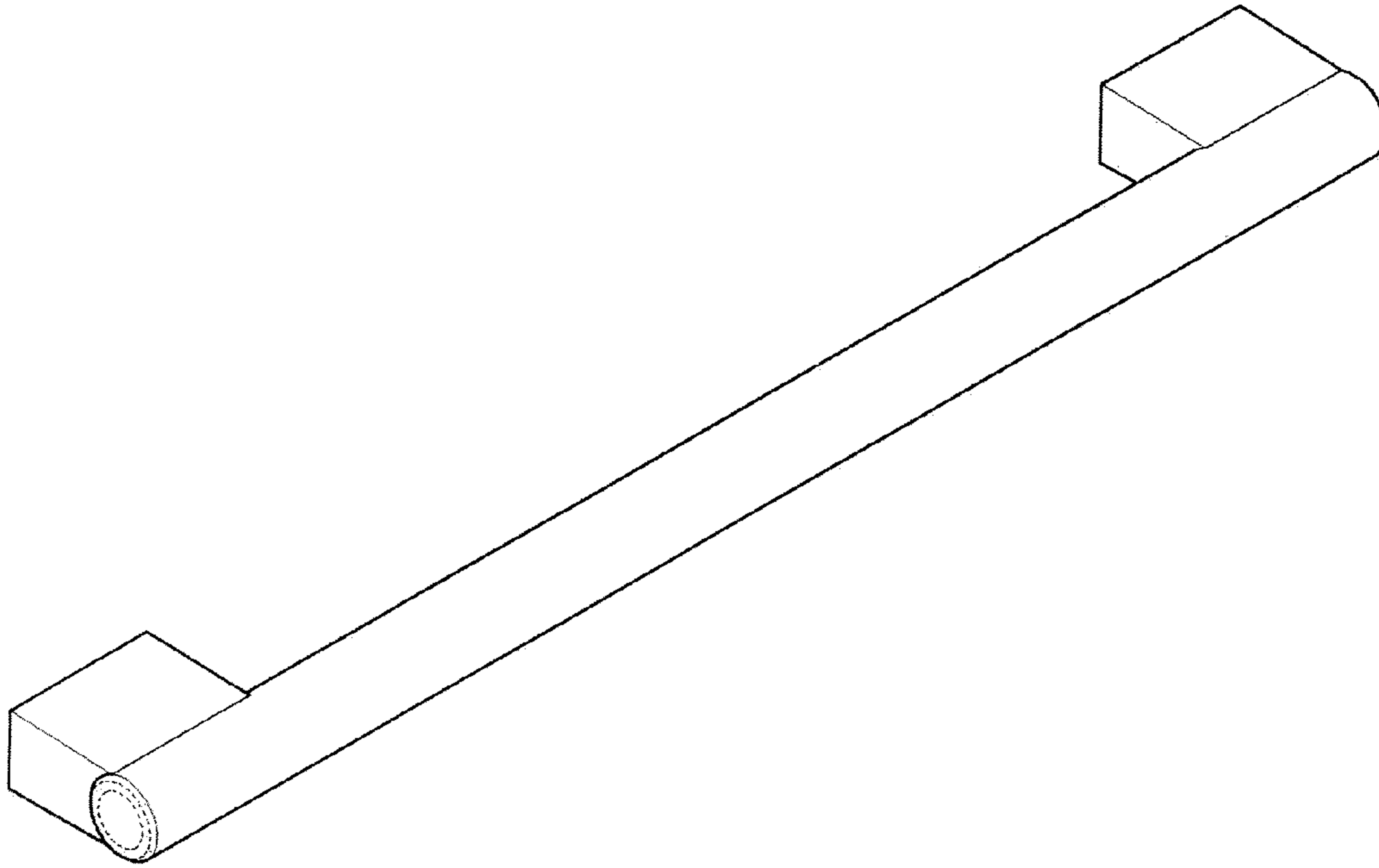


FIG. 2



FIG. 3



FIG. 4

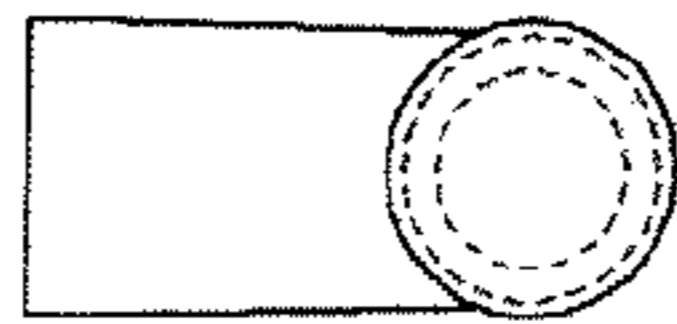


FIG. 5

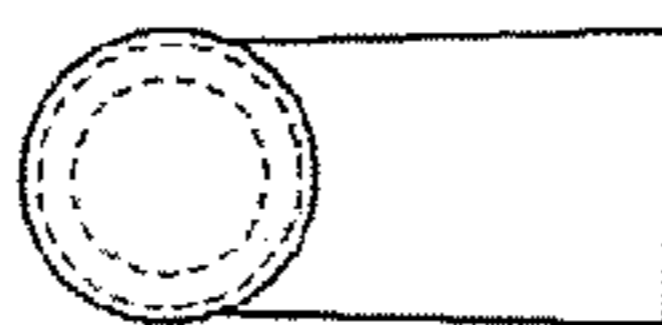


FIG. 6

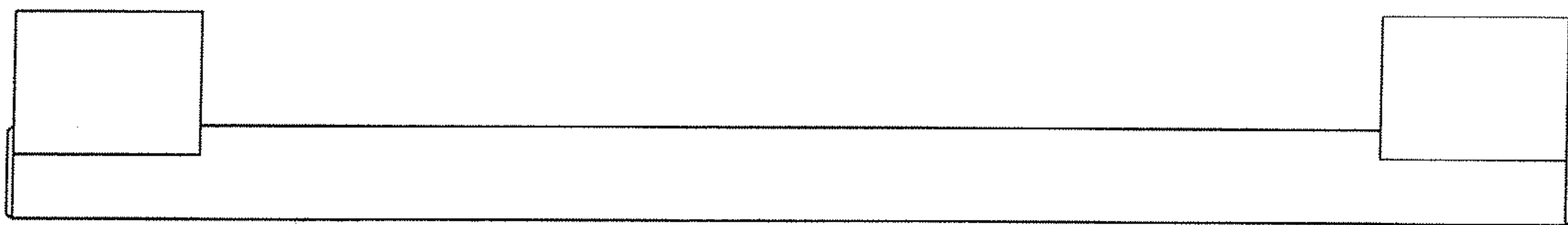


FIG. 7

