



US00D587064S

(12) **United States Design Patent**  
**Mark**

(10) **Patent No.:** **US D587,064 S**

(45) **Date of Patent:** **\*\* Feb. 24, 2009**

(54) **FOOD PROCESSOR**

(75) Inventor: **Steiner Mark**, Midlothian, VA (US)

(73) Assignee: **Hamilton Beach Brands, Inc.**, Glen Allen, VA (US)

(\*\*) Term: **14 Years**

(21) Appl. No.: **29/303,758**

(22) Filed: **Feb. 15, 2008**

(51) **LOC (9) Cl.** ..... **31-00**

(52) **U.S. Cl.** ..... **D7/384**

(58) **Field of Classification Search** ..... D7/317-318,  
D7/354, 356, 376-386, 392, 412-415, 665;  
D9/438, 449, 503; 99/348, 509-511; 215/253;  
222/465.1; 241/30-37.5, 101.01-101.2,  
241/166-169.1, 199.12, 274-278.2, 285.1-285.3,  
241/291, 292.1; 366/64-67, 98, 192, 197-211,  
366/241-254, 279-292, 341-343

See application file for complete search history.

(56) **References Cited**

**U.S. PATENT DOCUMENTS**

751,159	A	2/1904	Gage
755,431	A	3/1904	Austin
774,217	A	11/1904	Welke
2,001,075	A	5/1935	Sundstrand

(Continued)

*Primary Examiner*—Caron Veynar  
*Assistant Examiner*—Ricky Pham

(74) *Attorney, Agent, or Firm*—Panitch Schwarze Belisario & Nadel LLP

(57) **CLAIM**

The ornamental design for a food processor, as shown and described.

**DESCRIPTION**

FIG. 1 is a front right perspective view of a food processor in accordance with my new design;

FIG. 2 is a front elevation view thereof;

FIG. 3 is a right side elevation view thereof, with the left side being a mirror image thereof;

FIG. 4 is a rear elevation view thereof;

FIG. 5 is a bottom plan view thereof;

FIG. 6 is a top plan view thereof;

FIG. 7 is a front right perspective view of a second embodiment of a food processor in accordance with my new design;

FIG. 8 is a front elevation view thereof;

FIG. 9 is a right side elevation view thereof, with the left side being a mirror image thereof;

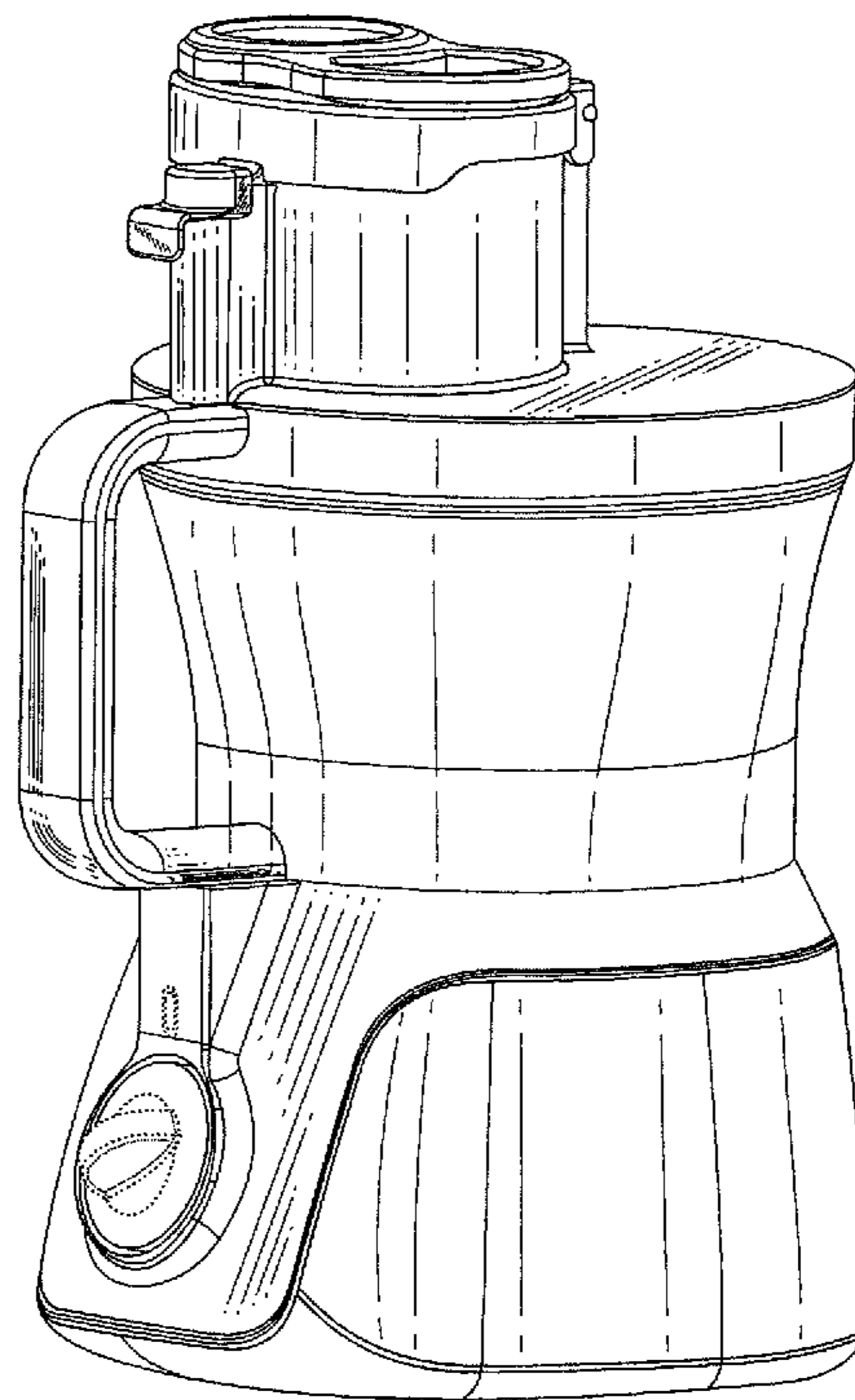
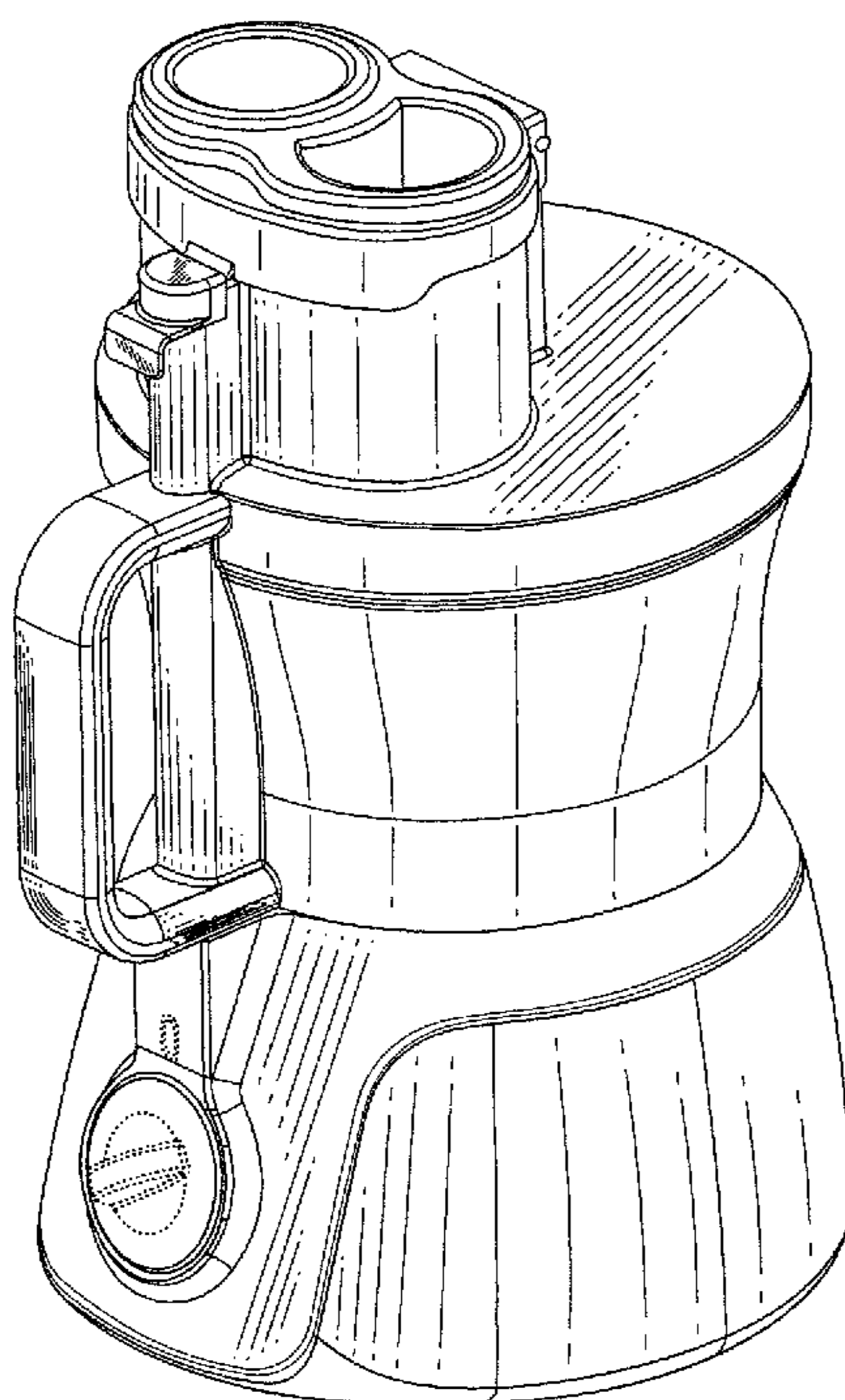
FIG. 10 is a rear elevation view thereof;

FIG. 11 is a bottom plan view thereof; and,

FIG. 12 is a top plan view thereof.

The broken lines in the figures are for illustrative purposes only and form no part of the claimed design.

**1 Claim, 12 Drawing Sheets**



# US D587,064 S

Page 2

## U.S. PATENT DOCUMENTS

2,128,792 A	8/1938	Berarducci	5,355,784 A	10/1994	Franklin et al.
2,678,073 A	5/1954	DeNardis	5,417,152 A	5/1995	Harrison
3,493,022 A	2/1970	Mantelet	5,421,248 A	6/1995	Hsu
3,970,258 A	7/1976	Mantelet	D390,746 S *	2/1998	Hippen et al. .... D7/384
4,111,372 A	9/1978	Hicks et al.	5,749,285 A	5/1998	Dorner et al.
4,127,342 A	11/1978	Coggiola	5,768,978 A	6/1998	Dorner et al.
D251,231 S *	3/1979	Hashimoto ..... D7/384	5,794,524 A	8/1998	Kemker et al.
4,216,917 A	8/1980	Clare et al.	5,921,485 A	7/1999	Plavcan et al.
4,226,374 A	10/1980	Kafka	D445,299 S *	7/2001	Spagnolo et al. .... D7/384
4,307,847 A	12/1981	Sontheimer	6,397,735 B1	6/2002	Wong
4,316,584 A	2/1982	Valbona	6,401,657 B1	6/2002	Krishnamurthy
4,371,118 A	2/1983	Sontheimer et al.	6,510,784 B1	1/2003	Fevre et al.
4,387,860 A	6/1983	Necas et al.	6,568,843 B1	5/2003	Lai
4,396,159 A	8/1983	Podell	6,629,492 B1	10/2003	Li
4,397,427 A	8/1983	Howard	6,640,692 B1	11/2003	Hilgers et al.
4,471,915 A	9/1984	Levin et al.	6,669,124 B2	12/2003	Lazzer
4,506,836 A	3/1985	Williams	D488,344 S *	4/2004	Seum et al. .... D7/384
4,512,522 A	4/1985	Williams	6,827,305 B2	12/2004	Brezovnik et al.
4,523,720 A	6/1985	Behringer et al.	D502,047 S *	2/2005	Ledingham et al. .... D7/384
4,540,128 A	9/1985	Breeden	D502,842 S *	3/2005	Hallar ..... D7/384
4,542,857 A	9/1985	Akasaka	6,910,800 B2	6/2005	Wu
4,544,103 A	10/1985	Breeden	6,986,475 B2	1/2006	Wanat
4,614,306 A	9/1986	Doggett	7,028,930 B2	4/2006	Carnevale
4,623,097 A	11/1986	Sontheimer	7,069,839 B2	7/2006	Kernan
4,674,690 A	6/1987	Ponikwia et al.	D543,072 S *	5/2007	Ting et al. .... D7/378
4,700,901 A	10/1987	McClellan	7,229,036 B2 *	6/2007	Carnevale et al. .... 241/36
4,714,203 A	12/1987	Williams	D547,601 S *	7/2007	Ting et al. .... D7/384
4,799,626 A	1/1989	Hickel et al.	D560,093 S *	1/2008	Verdun ..... D7/384
4,817,878 A	4/1989	Shibata	D577,247 S *	9/2008	Barnes et al. .... D7/354
4,819,882 A	4/1989	Stottmann et al.	D578,341 S *	10/2008	Picozza et al. .... D7/384
4,824,029 A	4/1989	Stottmann et al.	2004/0042337 A1	3/2004	Yiu
5,037,033 A	8/1991	Stottmann et al.	2006/0087916 A1	4/2006	Yang
5,257,575 A	11/1993	Harrison et al.	2006/0201341 A1	9/2006	Kernan

\* cited by examiner

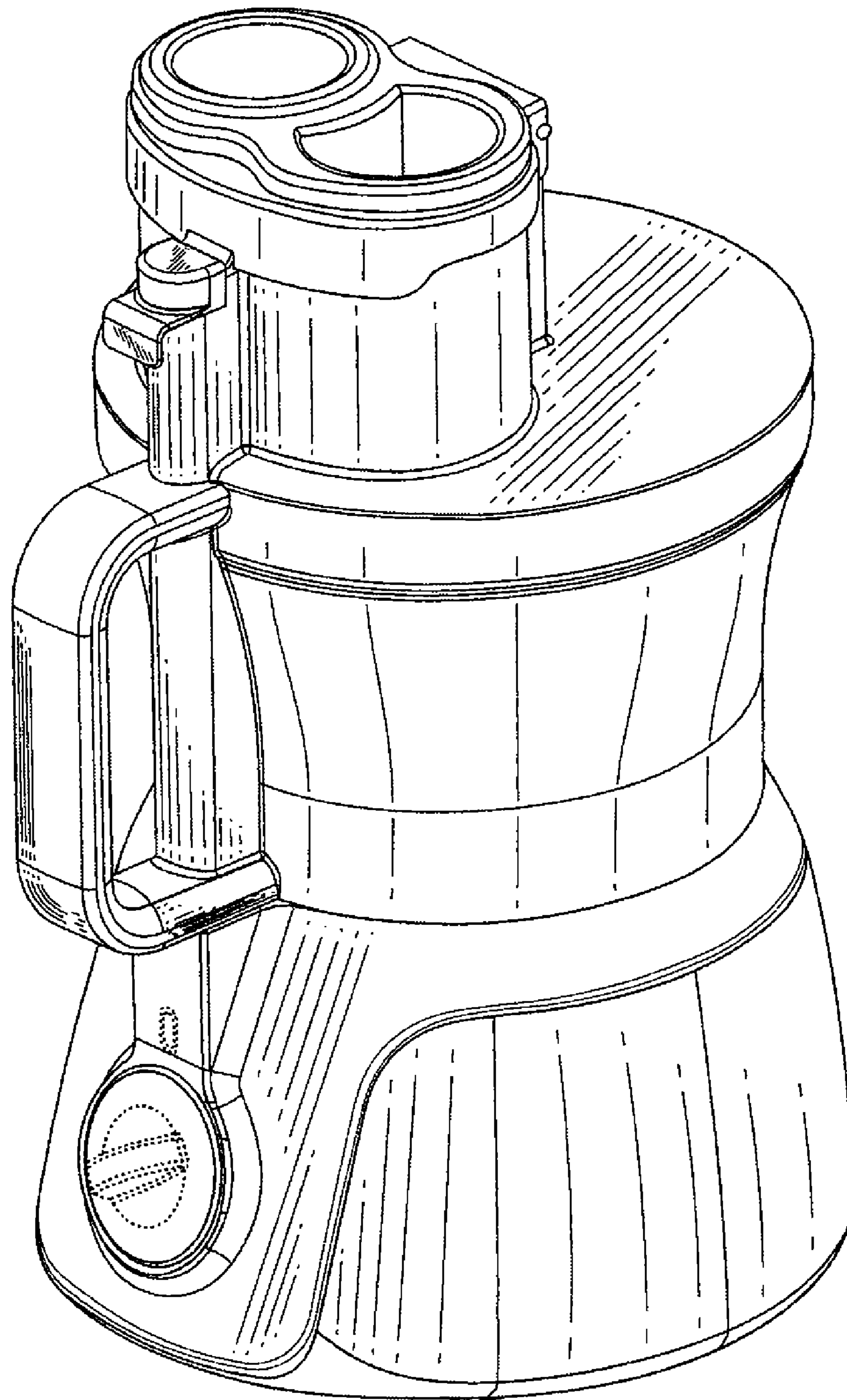


Fig. 1

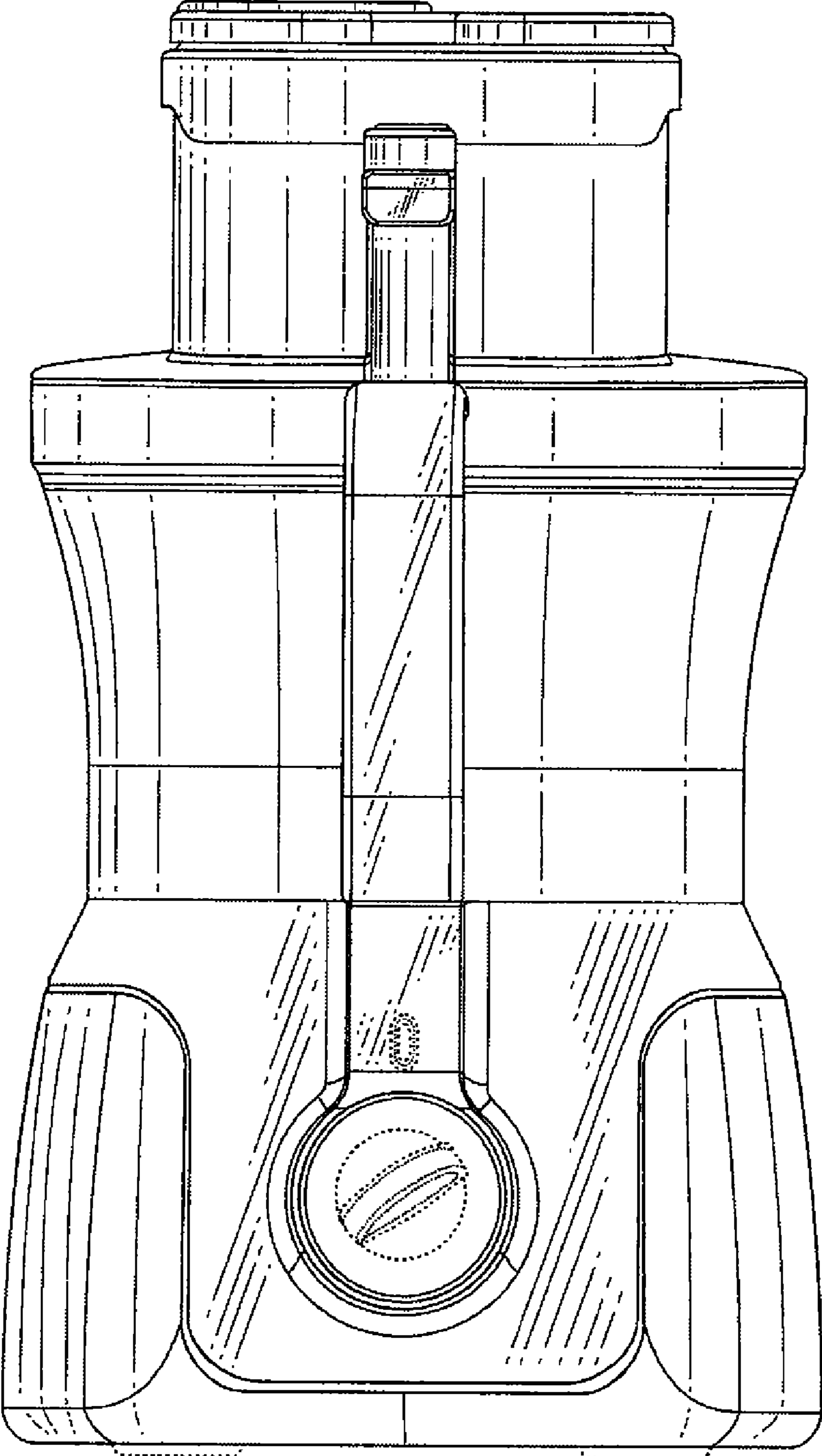


Fig. 2

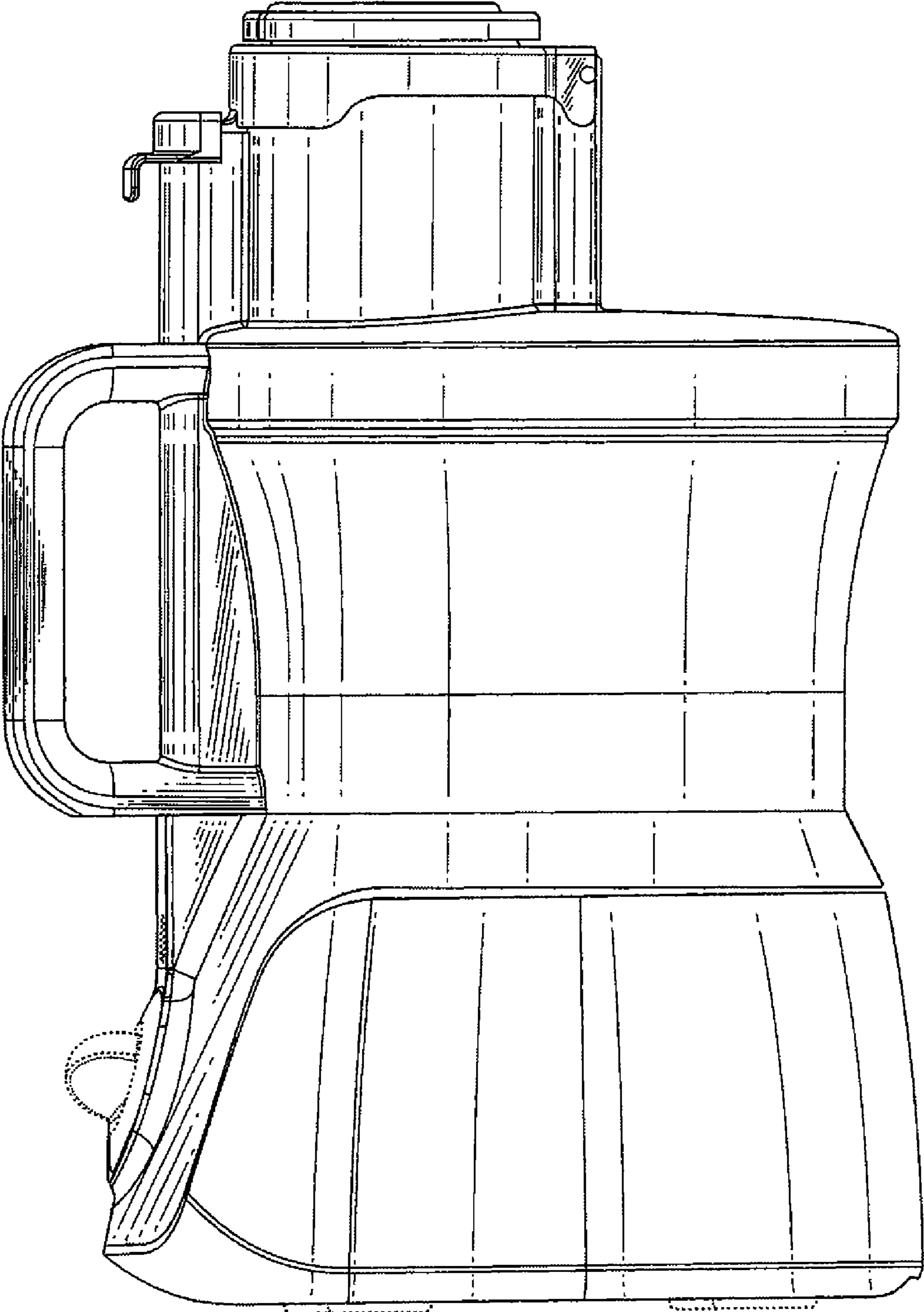


Fig. 3

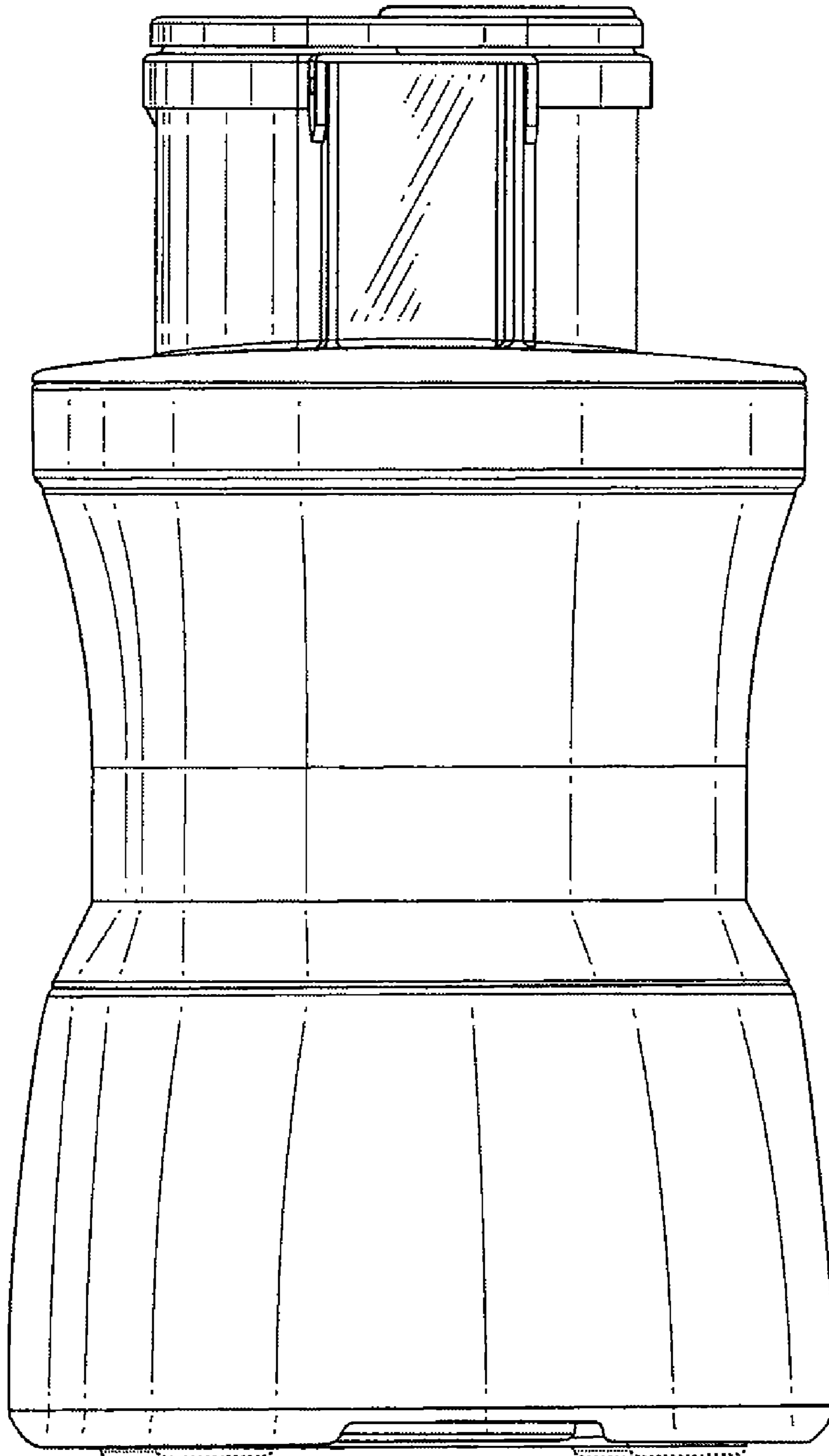


Fig. 4

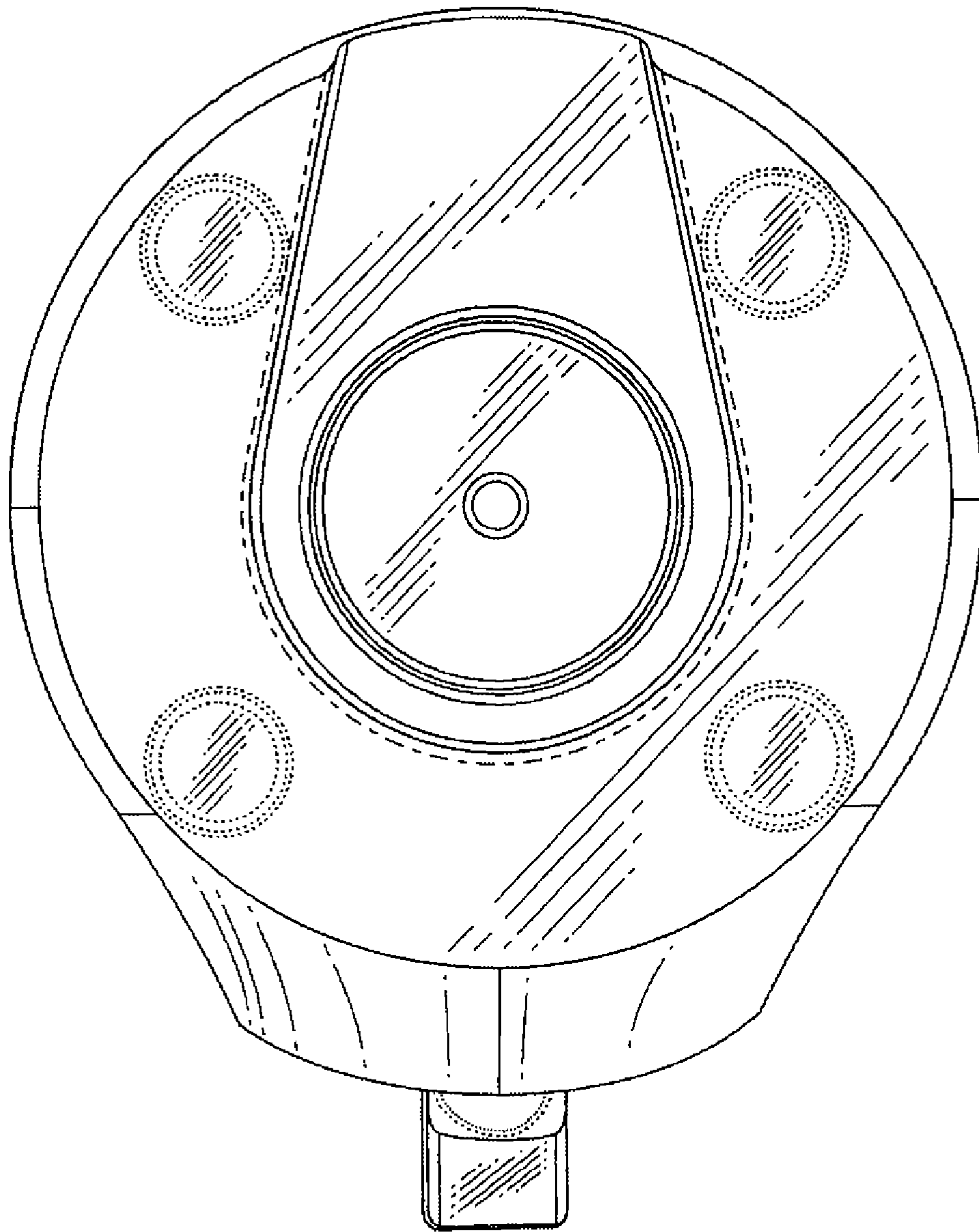


Fig. 5

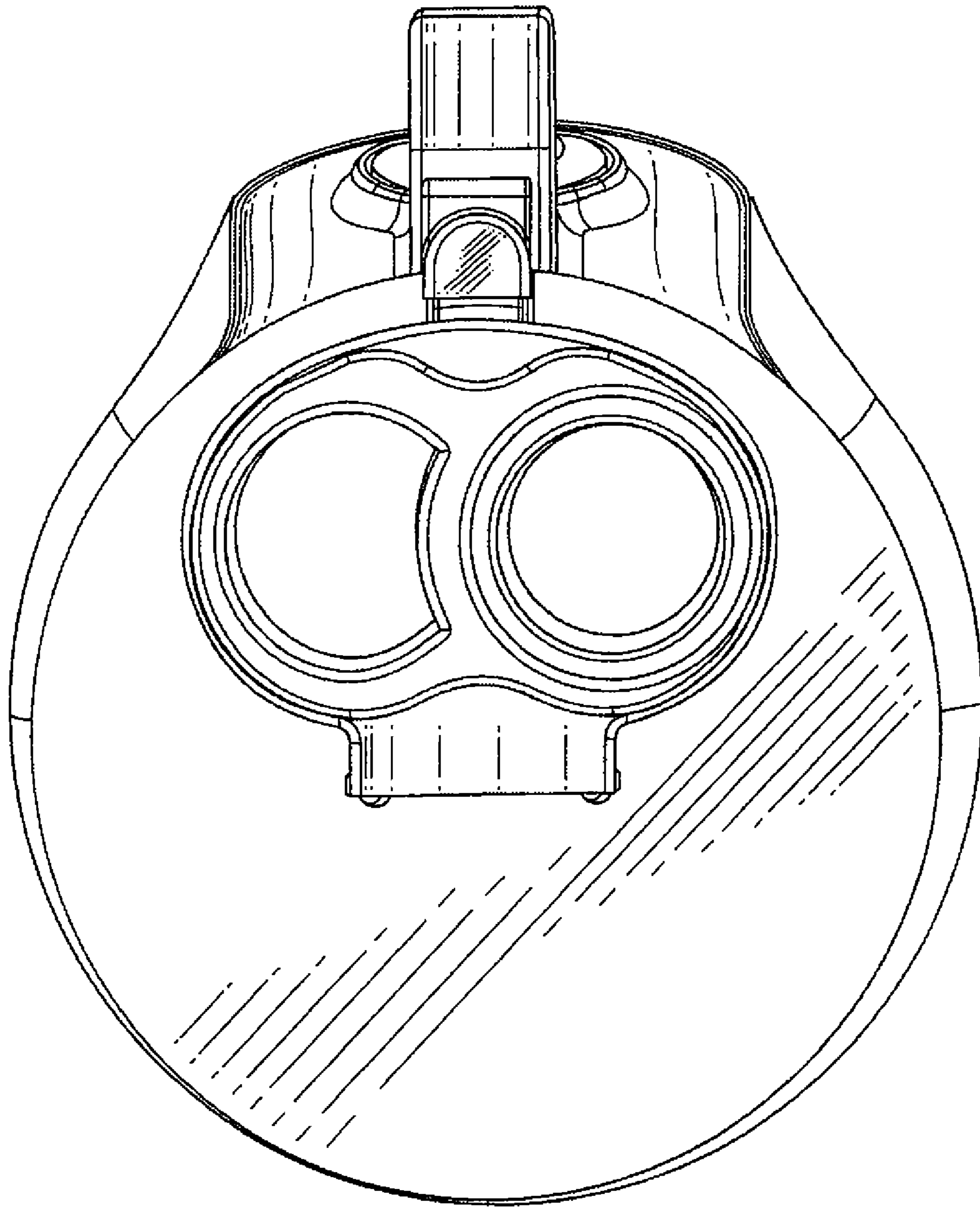


Fig. 6



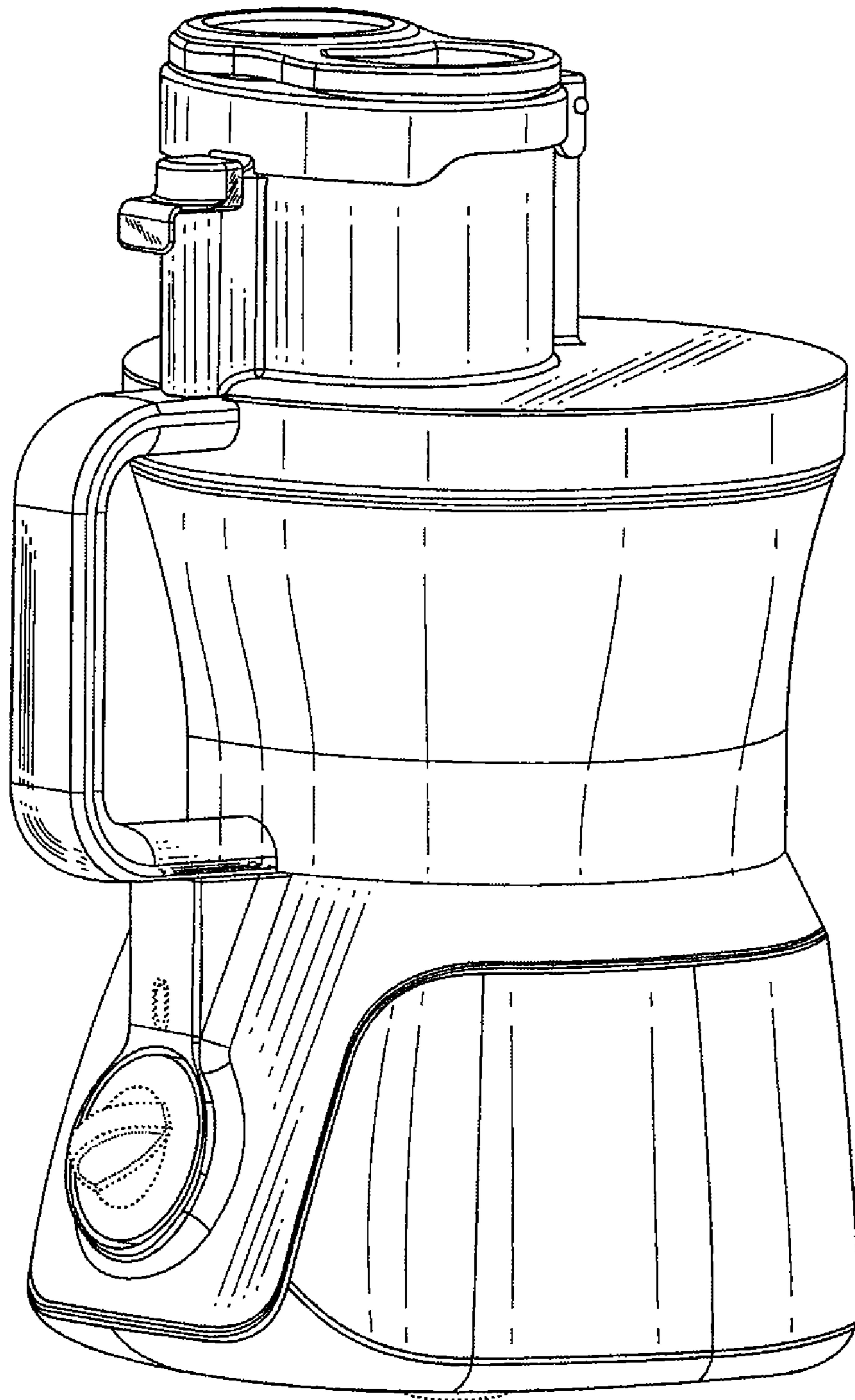


Fig. 7

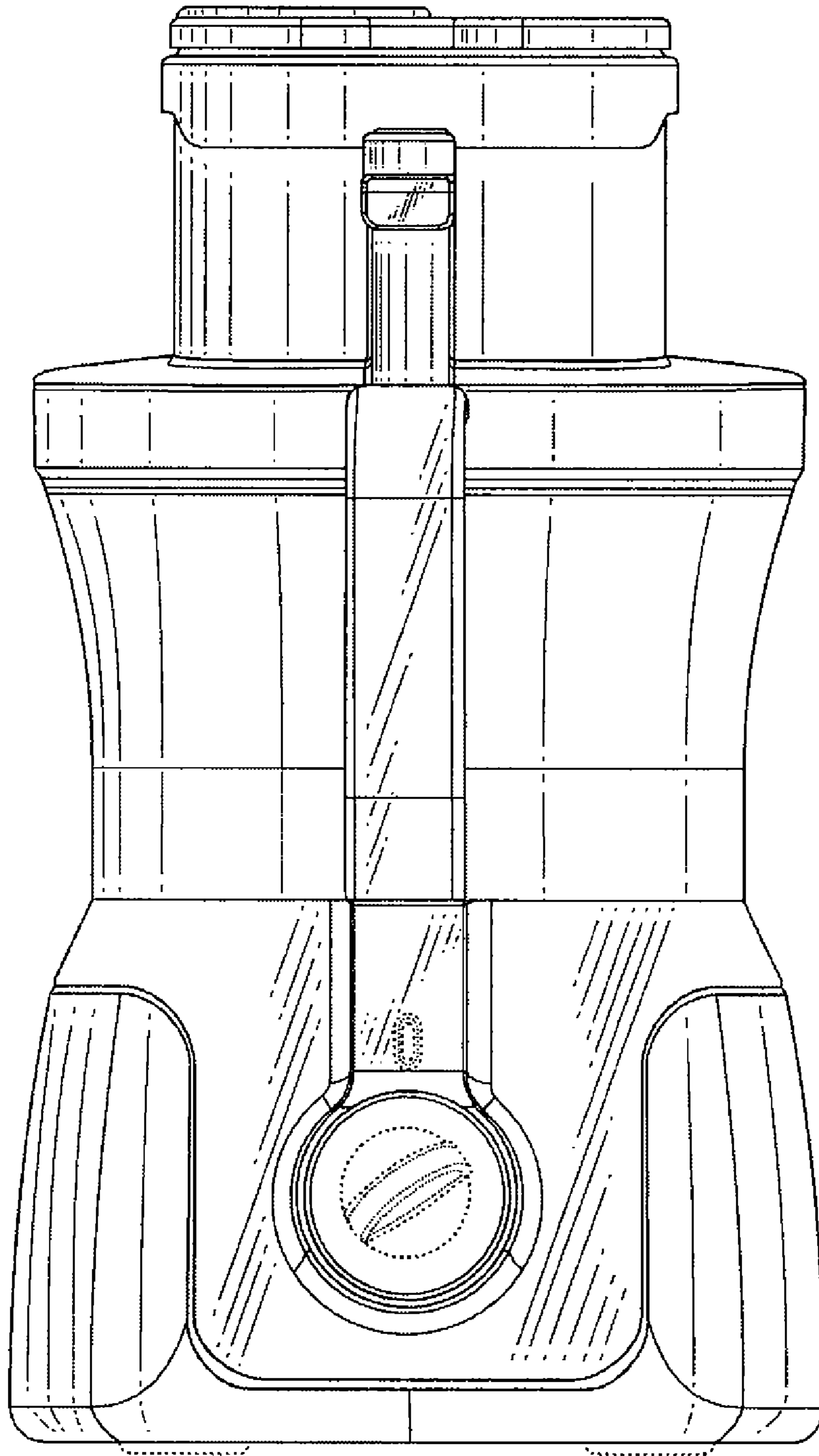


Fig. 8

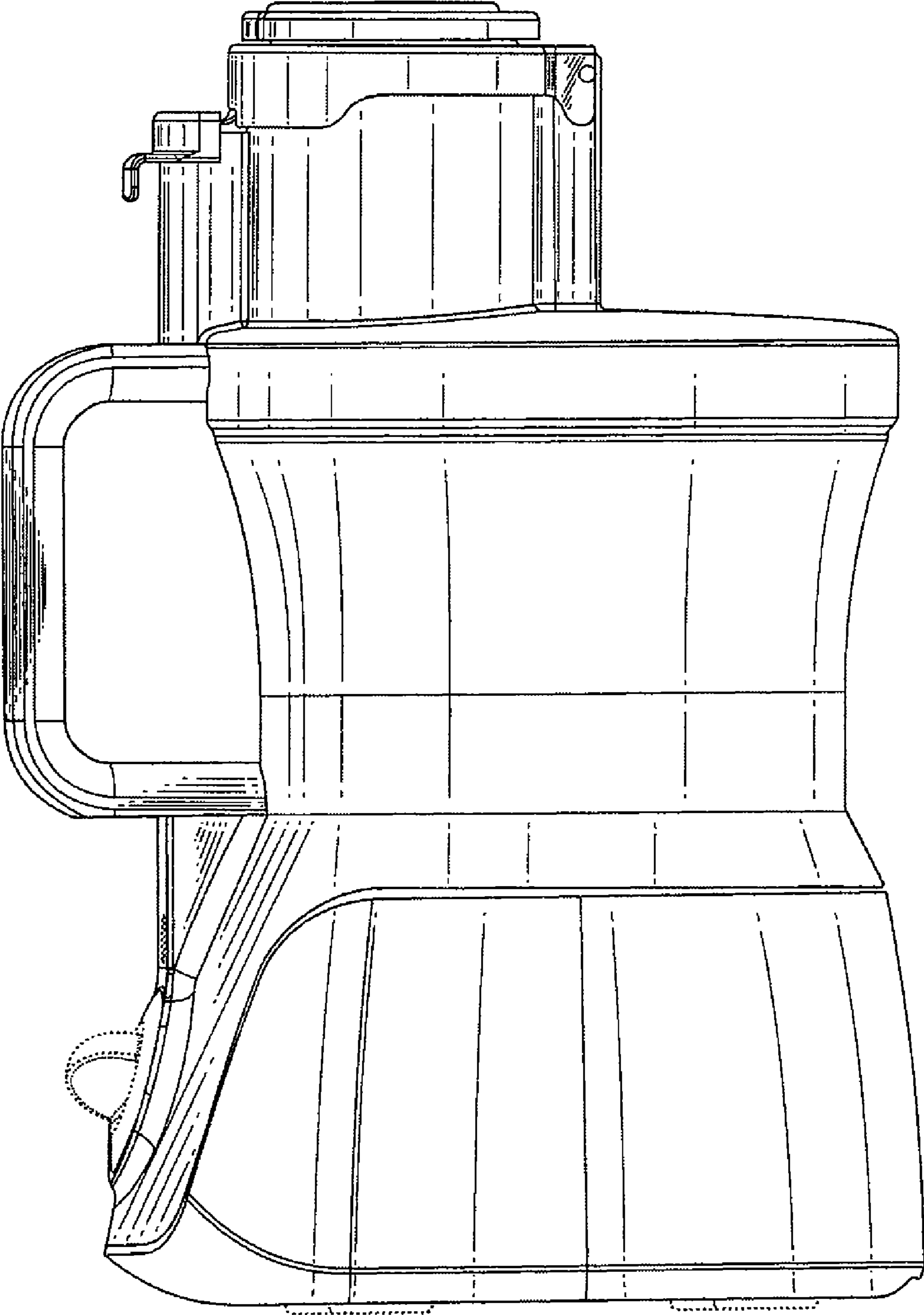


Fig. 9

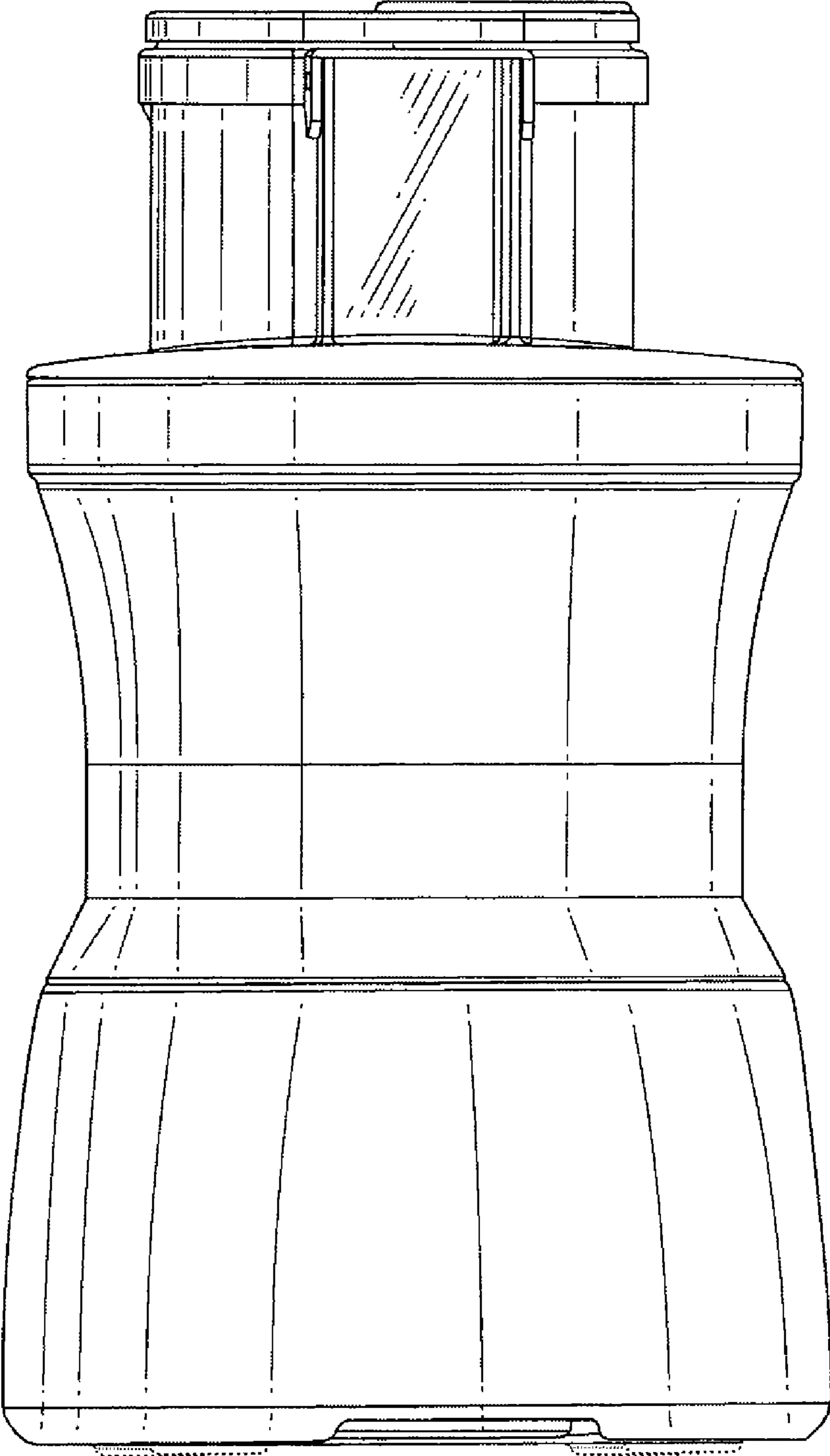


Fig. 10

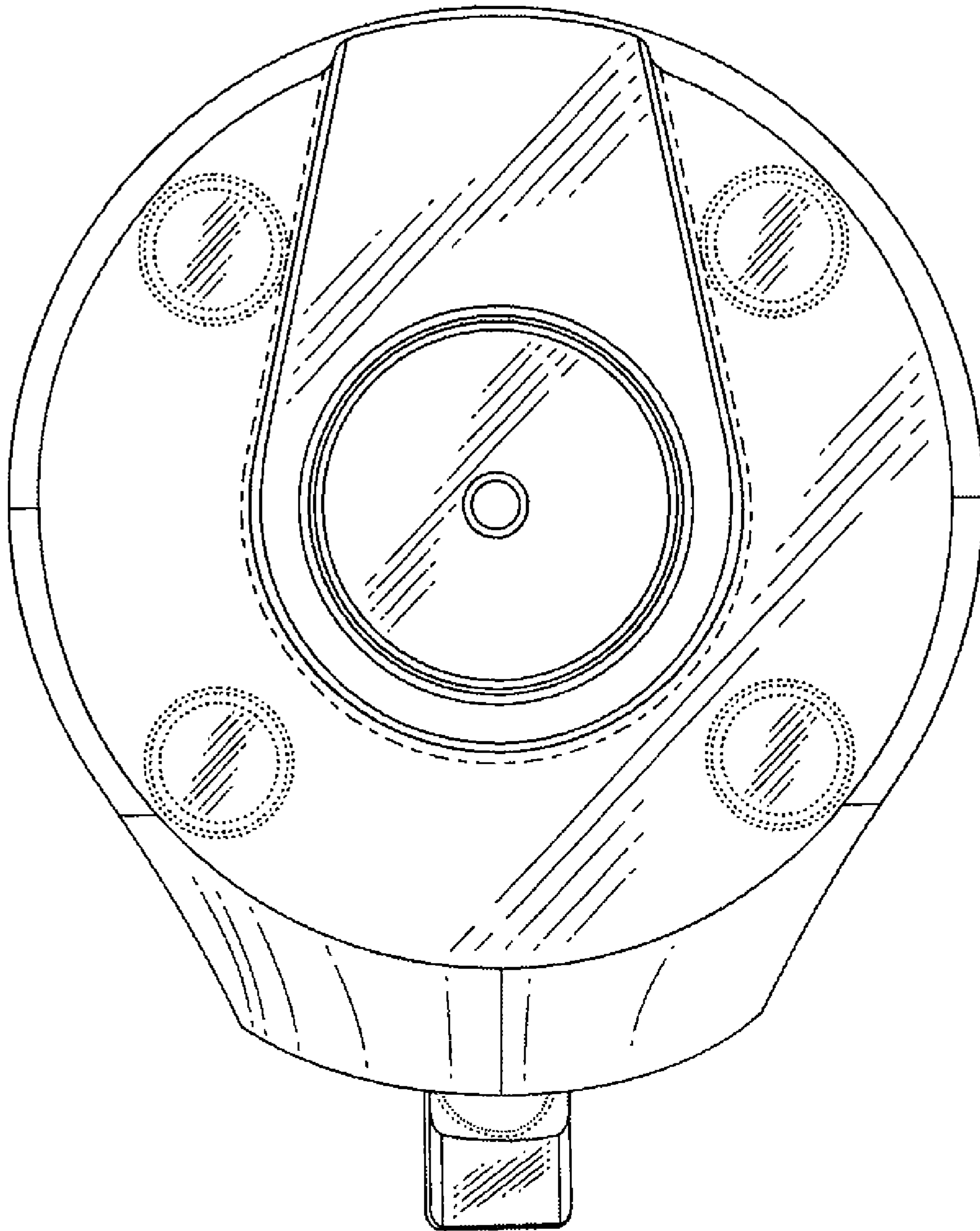


Fig. 11

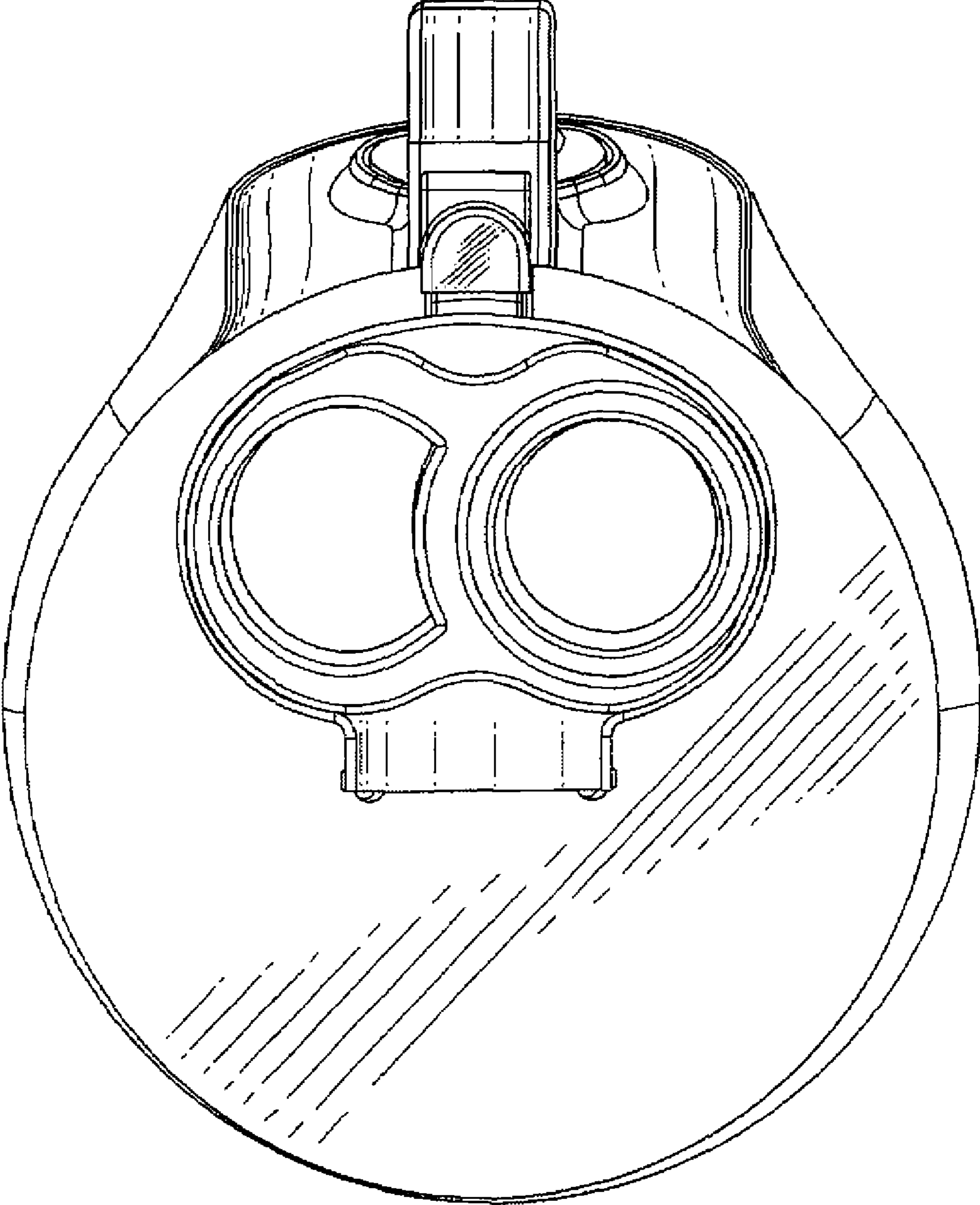


Fig. 12