



US00D587063S

(12) **United States Design Patent**  
**Solis et al.**

(10) **Patent No.:** **US D587,063 S**

(45) **Date of Patent:** **\*\* Feb. 24, 2009**

(54) **SAUTE PAN**

(76) Inventors: **Robert I. Solis**, 777 Cole St., #3, San Francisco, CA (US) 94117; **Ken H. Narita**, 2755 Harrisburg Ave., Fremont, CA (US) 94536

(\*\*) Term: **14 Years**

(21) Appl. No.: **29/301,288**

(22) Filed: **Feb. 21, 2008**

**Related U.S. Application Data**

(62) Division of application No. 29/218,415, filed on Dec. 1, 2004, now Pat. No. Des. 564,828.

(51) **LOC (9) Cl.** ..... **07-02**

(52) **U.S. Cl.** ..... **D7/361**

(58) **Field of Classification Search** ..... D7/323,  
D7/354-361, 391-395, 402, 500, 538-548,  
D7/560, 584-588; 29/527, 527.1, 527.4;  
99/339, 403, 413, 422, 425-426, 445; 220/377,  
220/573.1-573.3, 752-753, 755-759, 912  
See application file for complete search history.

(56) **References Cited**

**U.S. PATENT DOCUMENTS**

D170,735 S *	10/1953	Zeisel	.....	D7/543
D174,504 S *	4/1955	Krausse	.....	D7/361
D197,476 S *	2/1964	De Puy	.....	D7/542
D276,493 S *	11/1984	Cesaroni	.....	D7/355
D317,549 S *	6/1991	Stadelmaier	.....	D7/360
D434,269 S *	11/2000	Jo	.....	D7/360
D473,758 S *	4/2003	Wilson	.....	D7/587
D500,630 S *	1/2005	Brasset	.....	D7/360

D545,630 S *	7/2007	Serra	.....	D7/560
D547,615 S *	7/2007	Wasserman et al.	.....	D7/560
D551,510 S *	9/2007	Serra	.....	D7/560
D564,828 S *	3/2008	Solis et al.	.....	D7/360

\* cited by examiner

*Primary Examiner*—Caron Veynar

*Assistant Examiner*—Ricky Pham

(74) *Attorney, Agent, or Firm*—Edward J. Lynch

(57) **CLAIM**

The ornamental design for a sauté pan, as shown and described.

**DESCRIPTION**

FIG. 1 is a side view of a sauté pan with a lid and handle shown in phantom;

FIG. 2 is a front view of the sauté pan shown in FIG. 1 with a lid and handle (shown in phantom);

FIG. 3 is a rear view of the sauté pan shown in FIG. 1 with a lid and handle shown in phantom;

FIG. 4 is a side view of the sauté pan shown in FIG. 1 on the opposite side to that shown in FIG. 1 with a lid and a handle (shown in phantom);

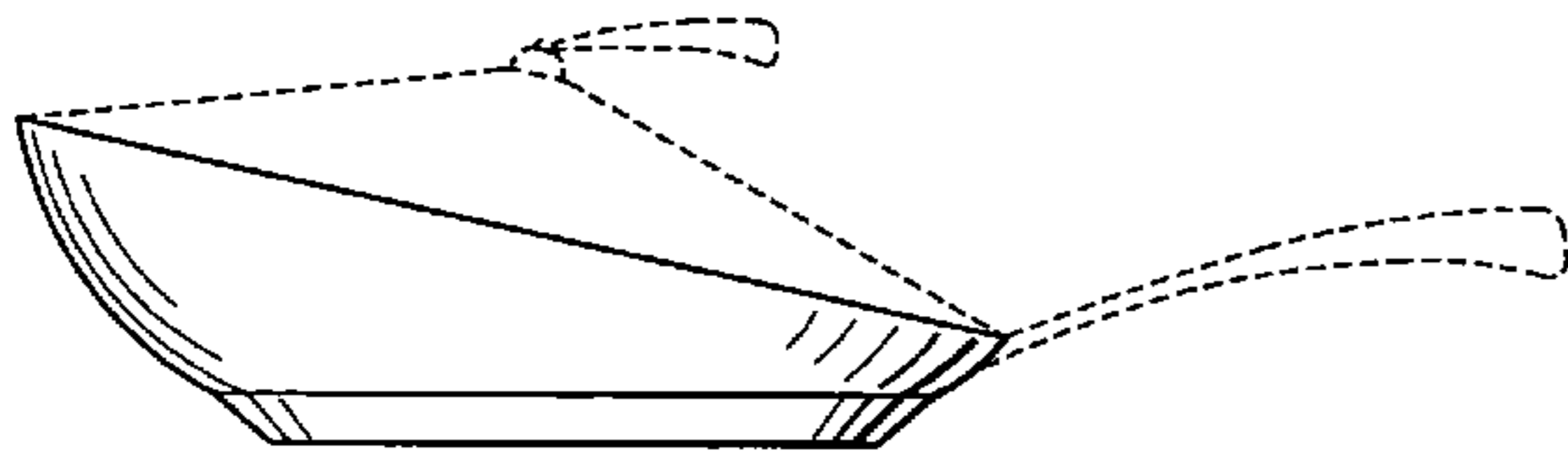
FIG. 5 is a top view of the sauté pan shown in FIG. 1 with the lid removed;

FIG. 6 is a bottom view of the sauté pan shown in FIG. 1 with a handle shown in phantom; and,

FIG. 7 is a side view of the sauté pan shown in FIG. 1 slightly tilted without a lid and a handle shown in phantom.

The features shown in phantom are for illustrative purposes only and form no part of the claimed design.

**1 Claim, 2 Drawing Sheets**



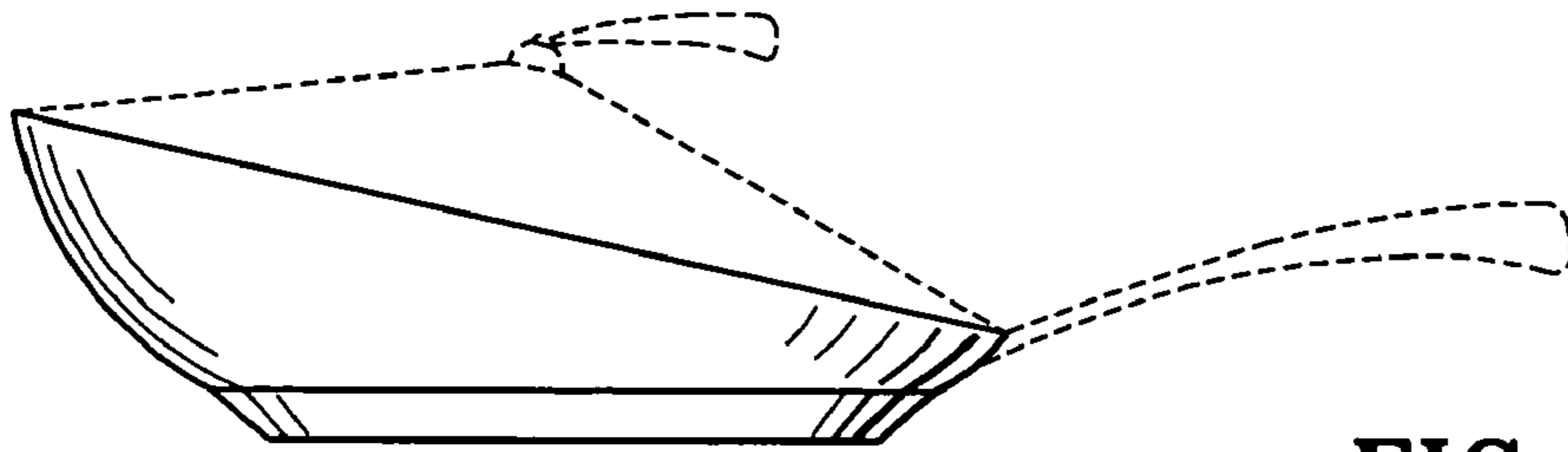


FIG. 1

FIG. 2

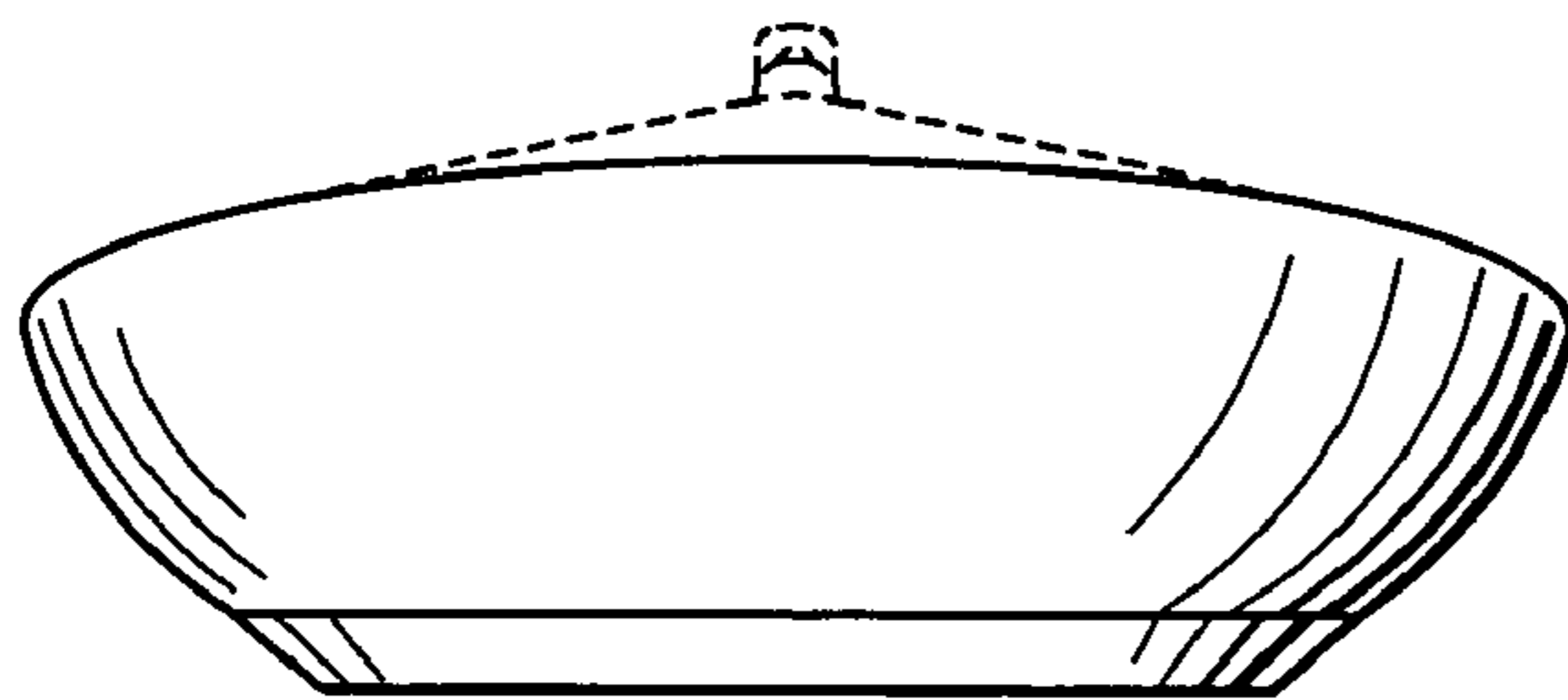
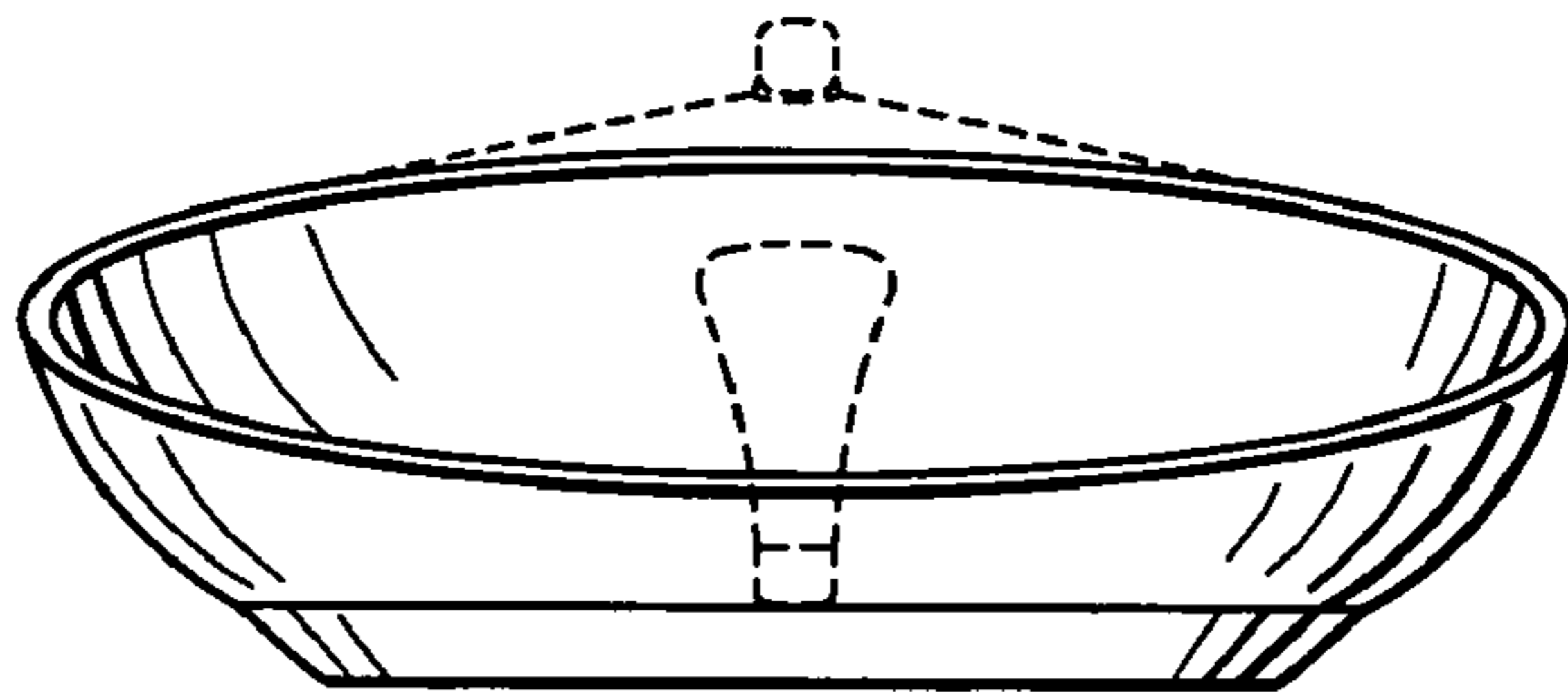


FIG. 3

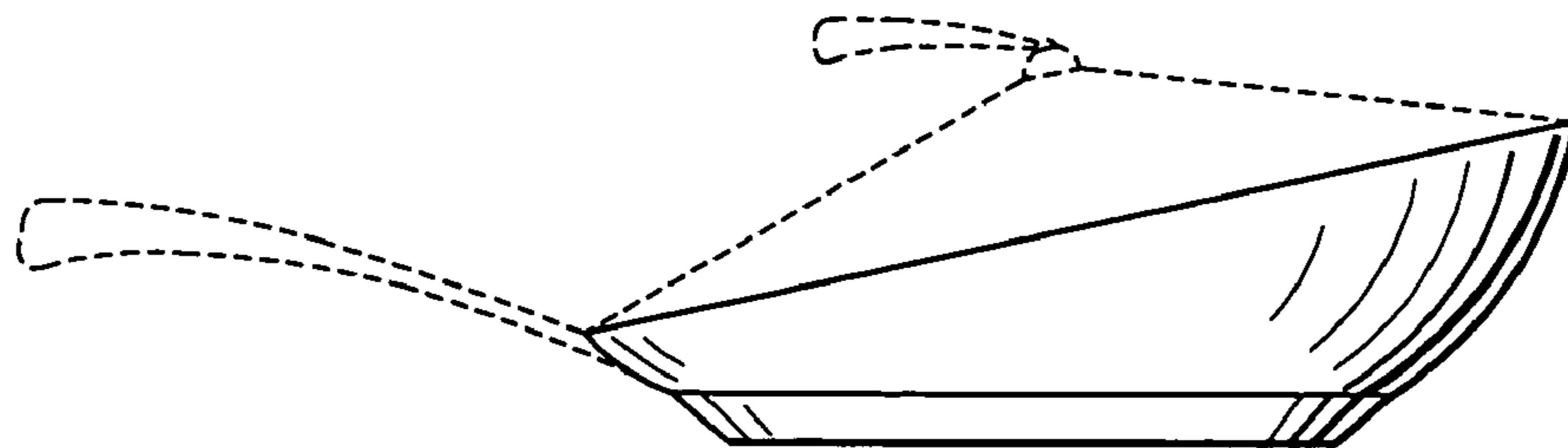


FIG. 4

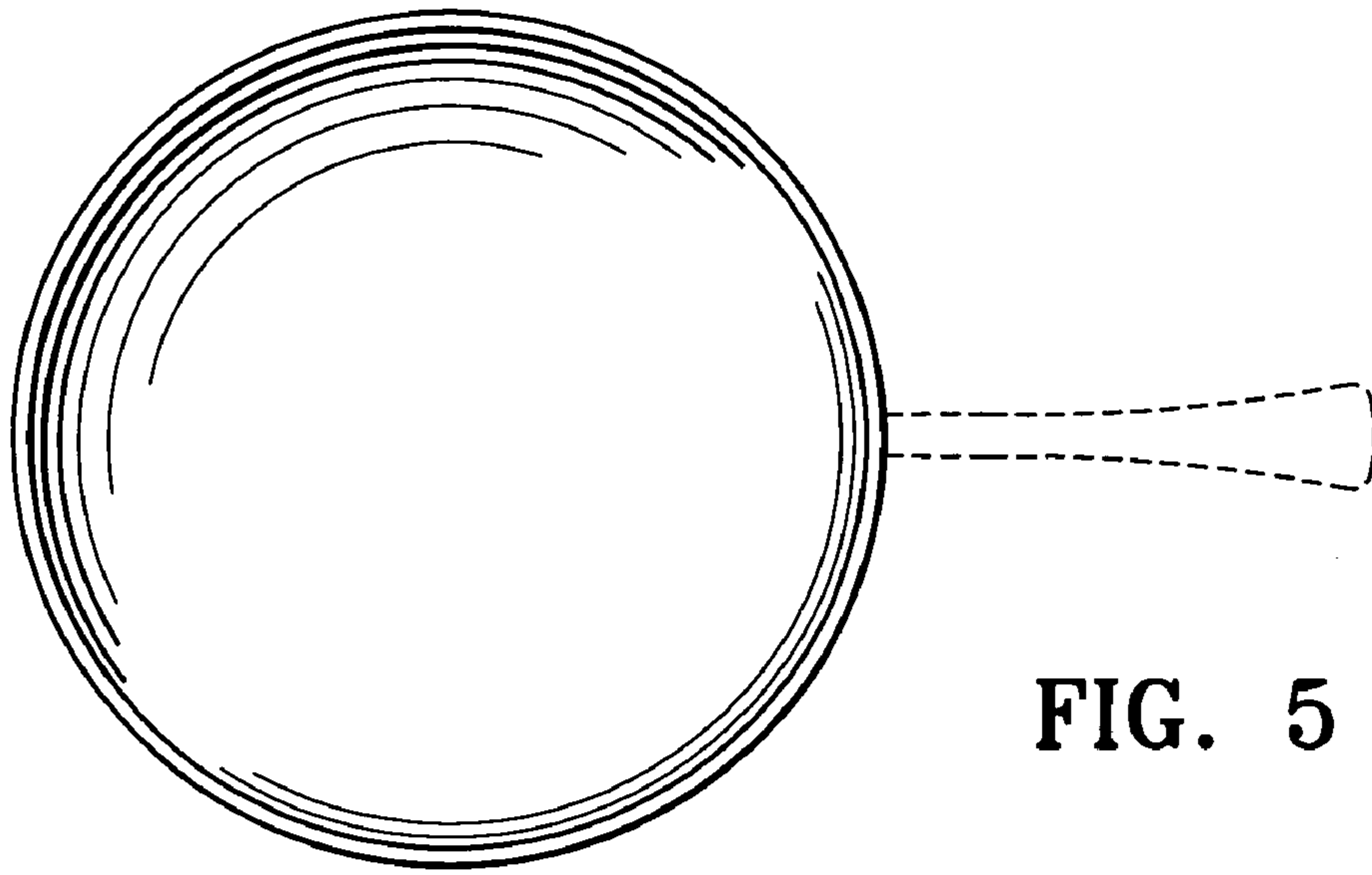


FIG. 5

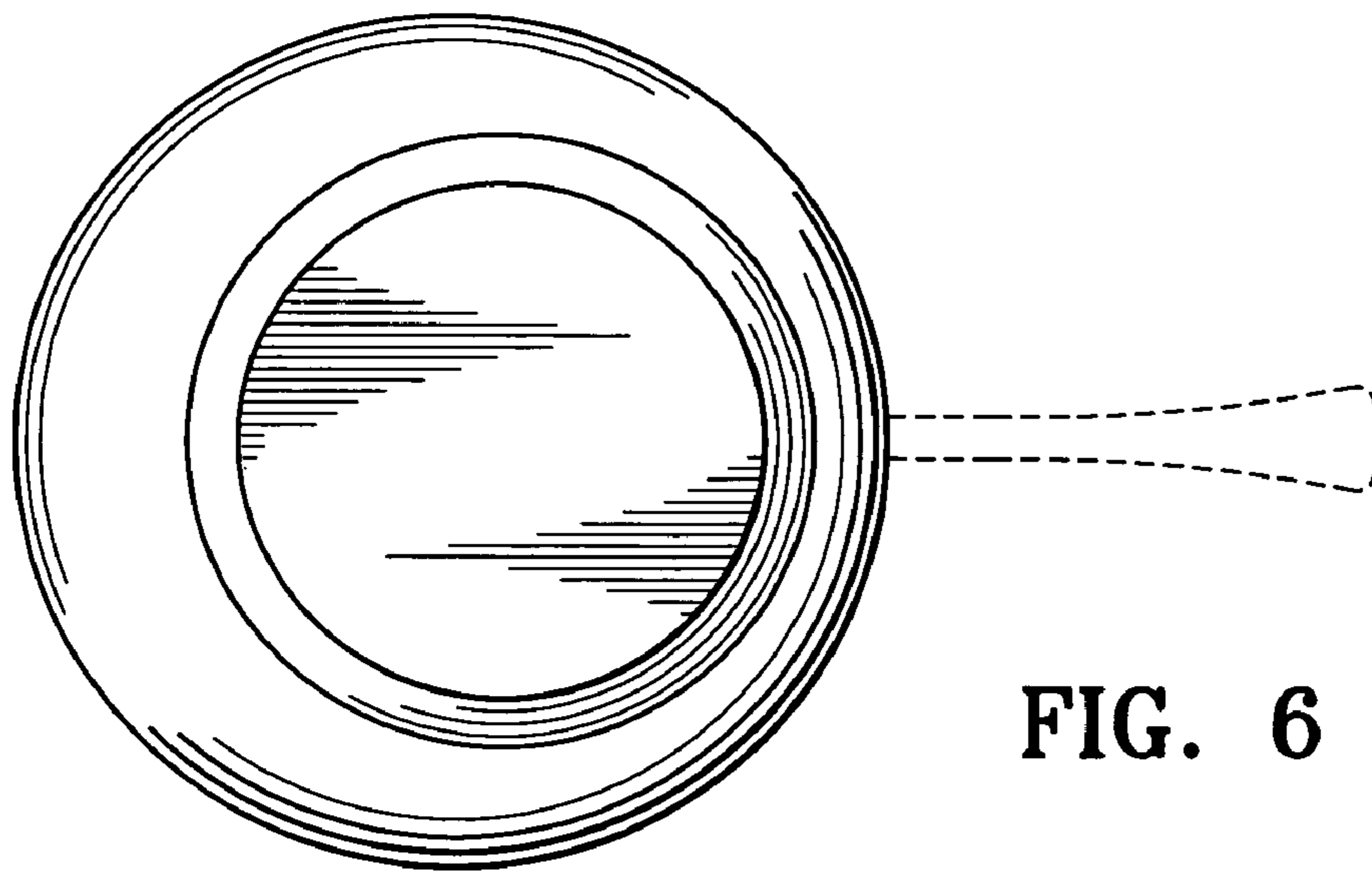


FIG. 6



FIG. 7