



US00D587061S

(12) **United States Design Patent**  
**Lavy**

(10) **Patent No.:** **US D587,061 S**

(45) **Date of Patent:** **\*\* Feb. 24, 2009**

(54) **WAFFLE MAKER**

D523,284 S \* 6/2006 Lam ..... D7/352  
7,180,034 B1 \* 2/2007 Oppenheimer ..... 219/386

(76) Inventor: **Danny Lavy**, 775 Lexington Ave.,  
Westmont, Quebec (CA) H3Y 1K9

\* cited by examiner

(\*\*) Term: **14 Years**

*Primary Examiner*—Caron Veynar

*Assistant Examiner*—Ricky Pham

(21) Appl. No.: **29/326,739**

(74) *Attorney, Agent, or Firm*—Cook Alex Ltd.

(22) Filed: **Oct. 23, 2008**

(57) **CLAIM**

(51) **LOC (9) Cl.** ..... **07-02**

The ornamental design for a waffle maker, as shown and described.

(52) **U.S. Cl.** ..... **D7/352**

(58) **Field of Classification Search** ..... D7/323,  
D7/328–332, 334–341, 347–349, 352–363,  
D7/409–411, 609; 99/219, 331–332, 339–340,  
99/349, 369, 372–375, 385–402, 425, 444,  
99/446, 466, 601, 618, 620; 219/386, 524–525,  
219/620–622, 732–734

See application file for complete search history.

**DESCRIPTION**

FIG. 1 is a rear perspective view of a waffle maker showing my new design, in a vertical orientation;

FIG. 2 is a front perspective view of the waffle maker shown in FIG. 1, in a horizontal orientation;

FIG. 3 is a front perspective view of the waffle maker shown in FIG. 1, in a horizontal orientation;

FIG. 4 is a front perspective view of the waffle maker shown in FIG. 1, in a vertical orientation; and,

FIG. 5 is a rear perspective view of the waffle maker shown in FIG. 1, in a horizontal orientation.

The broken lines shown in the Figures are used for illustrative purposes only and form no part of the claimed design.

(56) **References Cited**

U.S. PATENT DOCUMENTS

2,116,688	A *	5/1938	Ratliff	.....	99/374
6,167,796	B1 *	1/2001	Wright et al.	.....	99/332
D465,965	S *	11/2002	Dalton et al.	.....	D7/352
D466,361	S *	12/2002	Wanat et al.	.....	D7/352
D488,667	S *	4/2004	Seum et al.	.....	D7/352
D504,276	S *	4/2005	Vial	.....	D7/352
7,021,199	B2 *	4/2006	Lubowicki et al.	.....	99/372
D522,803	S *	6/2006	Lam	.....	D7/352

**1 Claim, 5 Drawing Sheets**

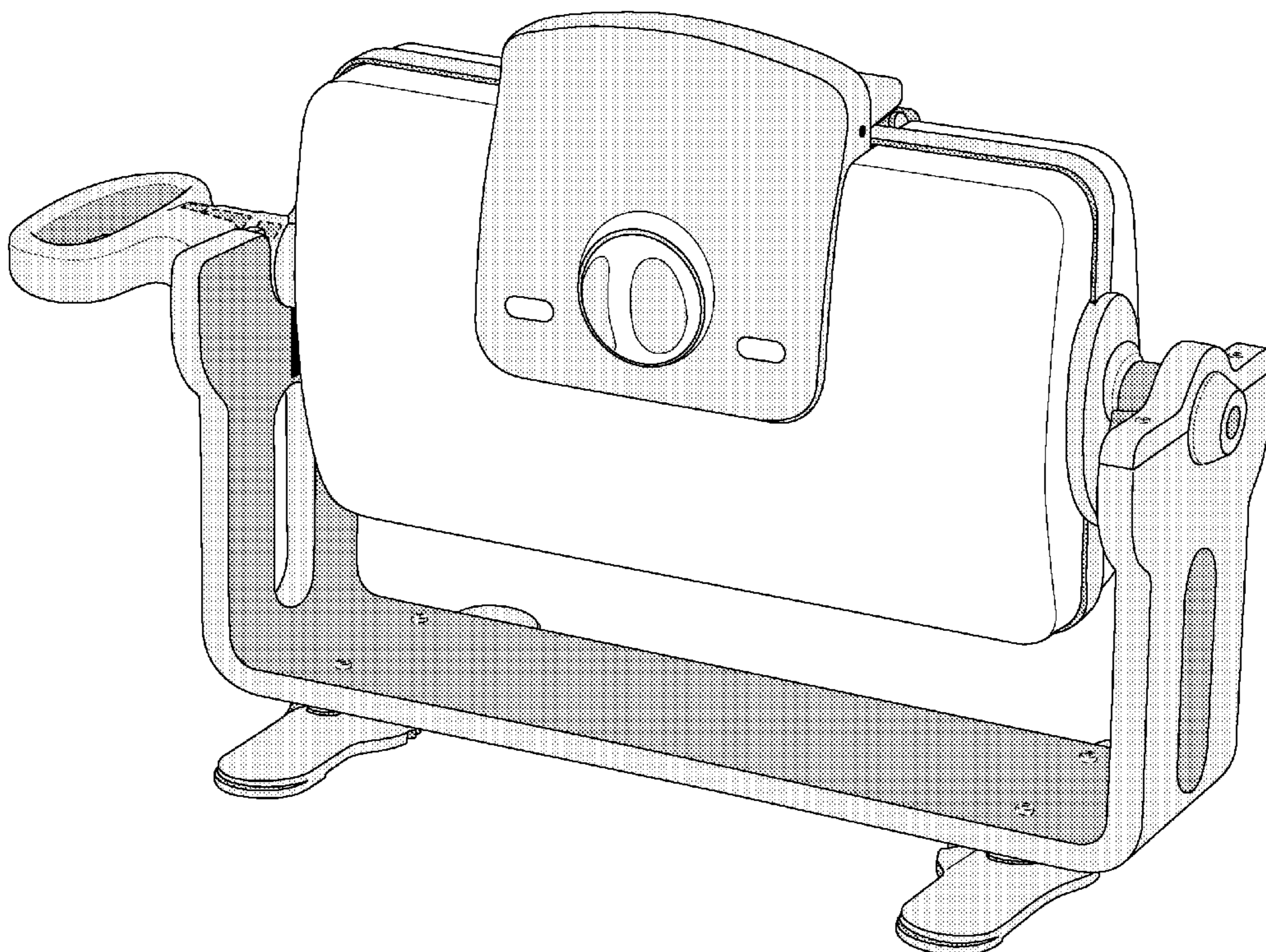


FIGURE 1

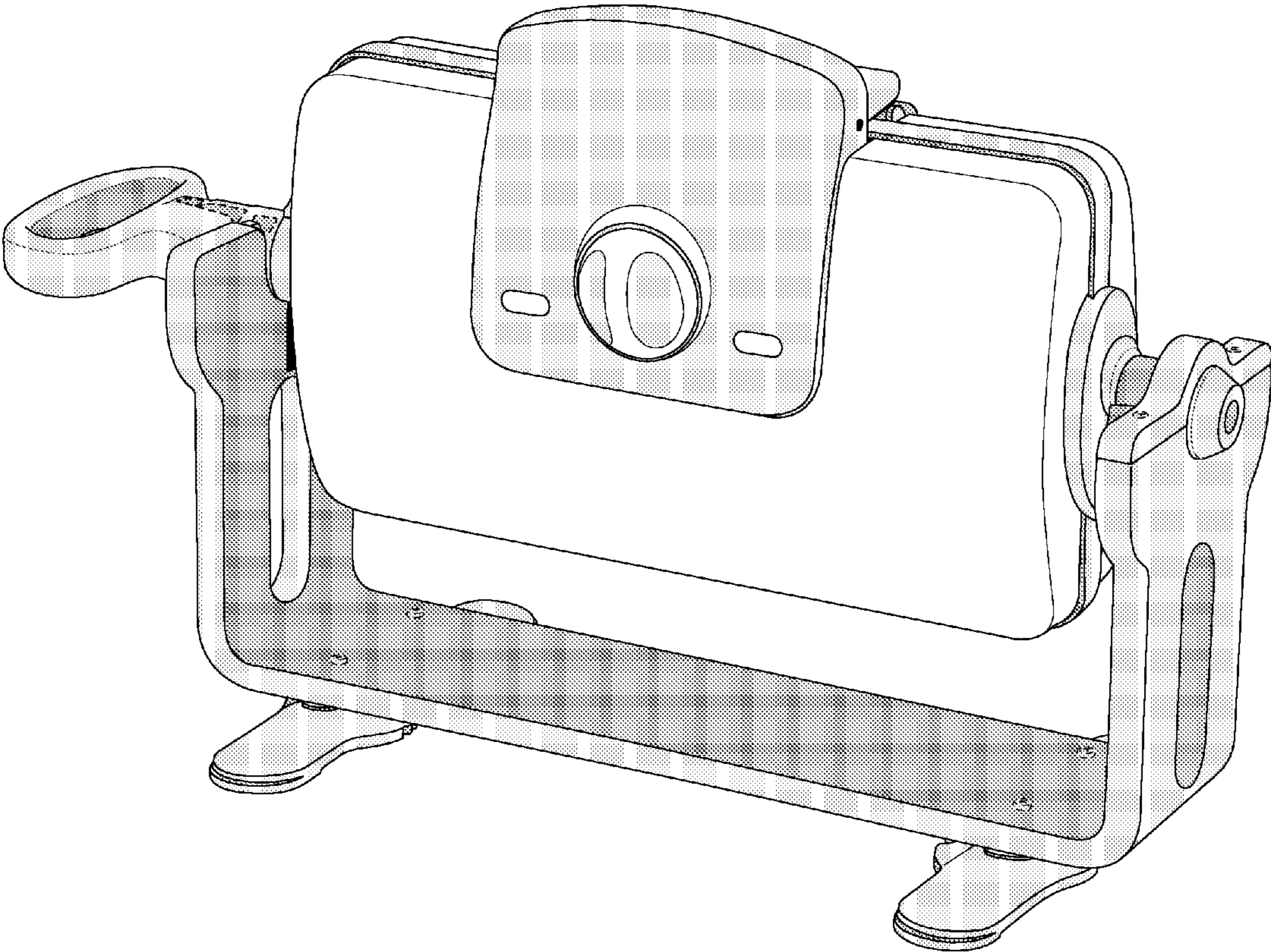


FIGURE 2

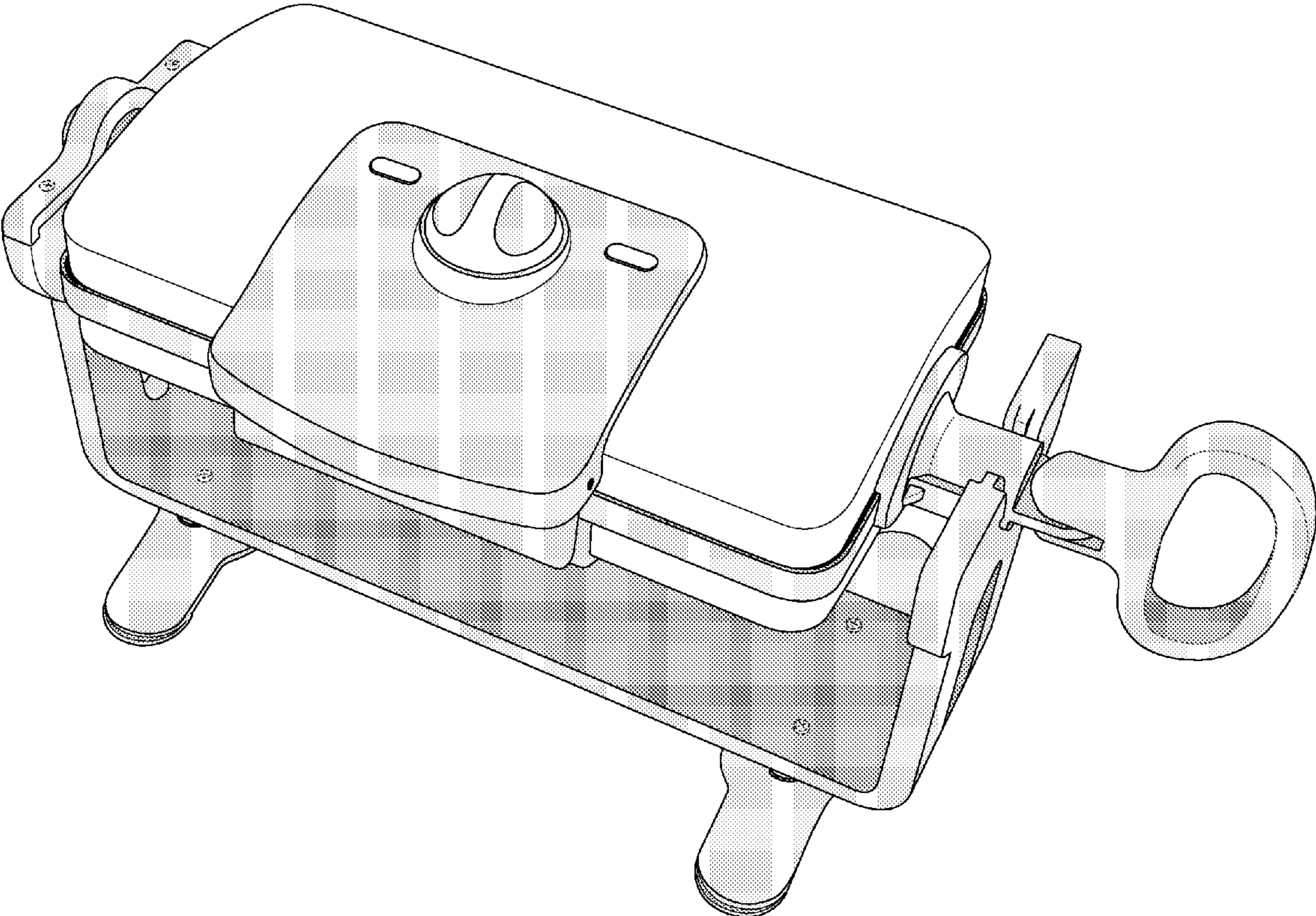


FIGURE 3

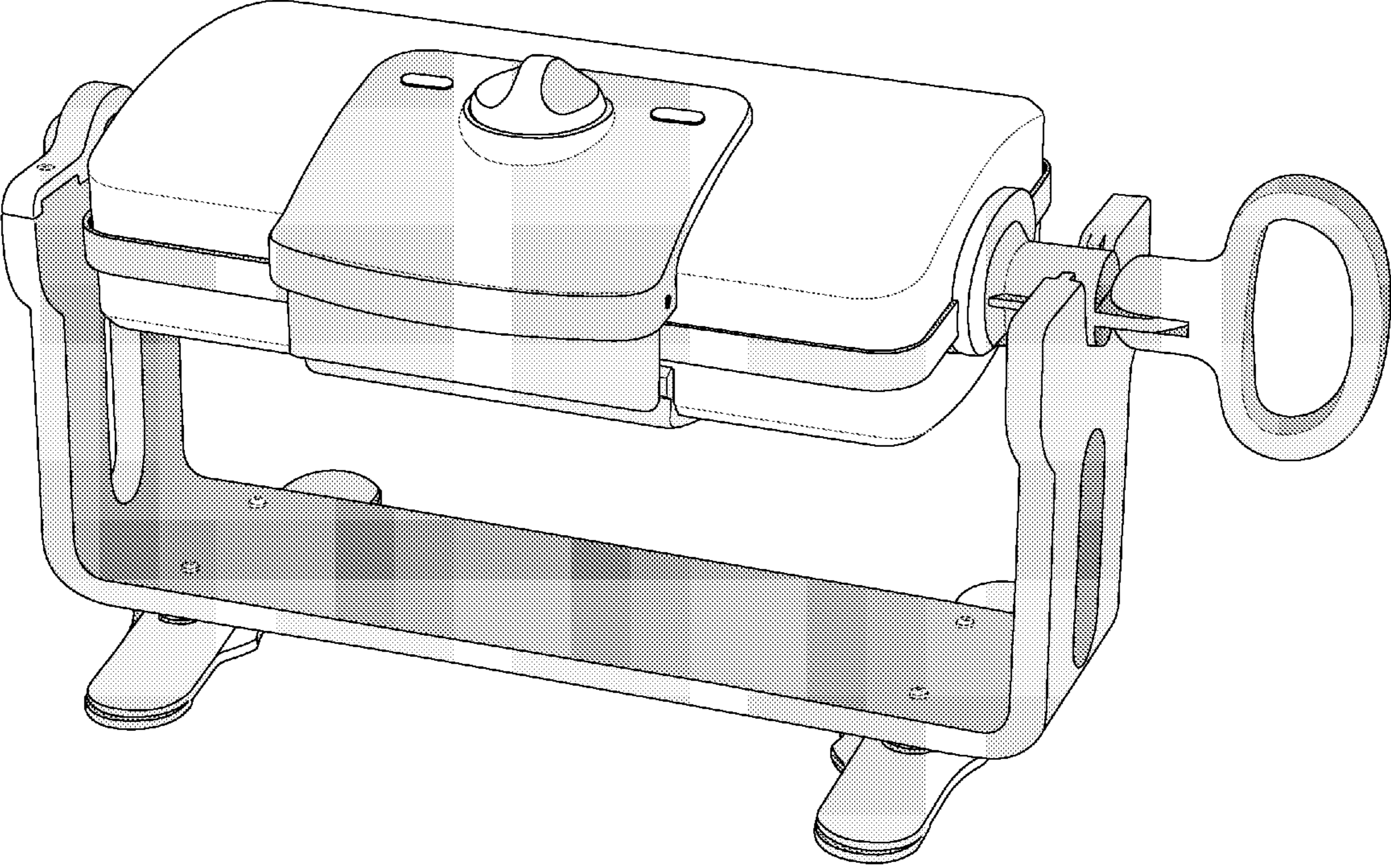


FIGURE 4

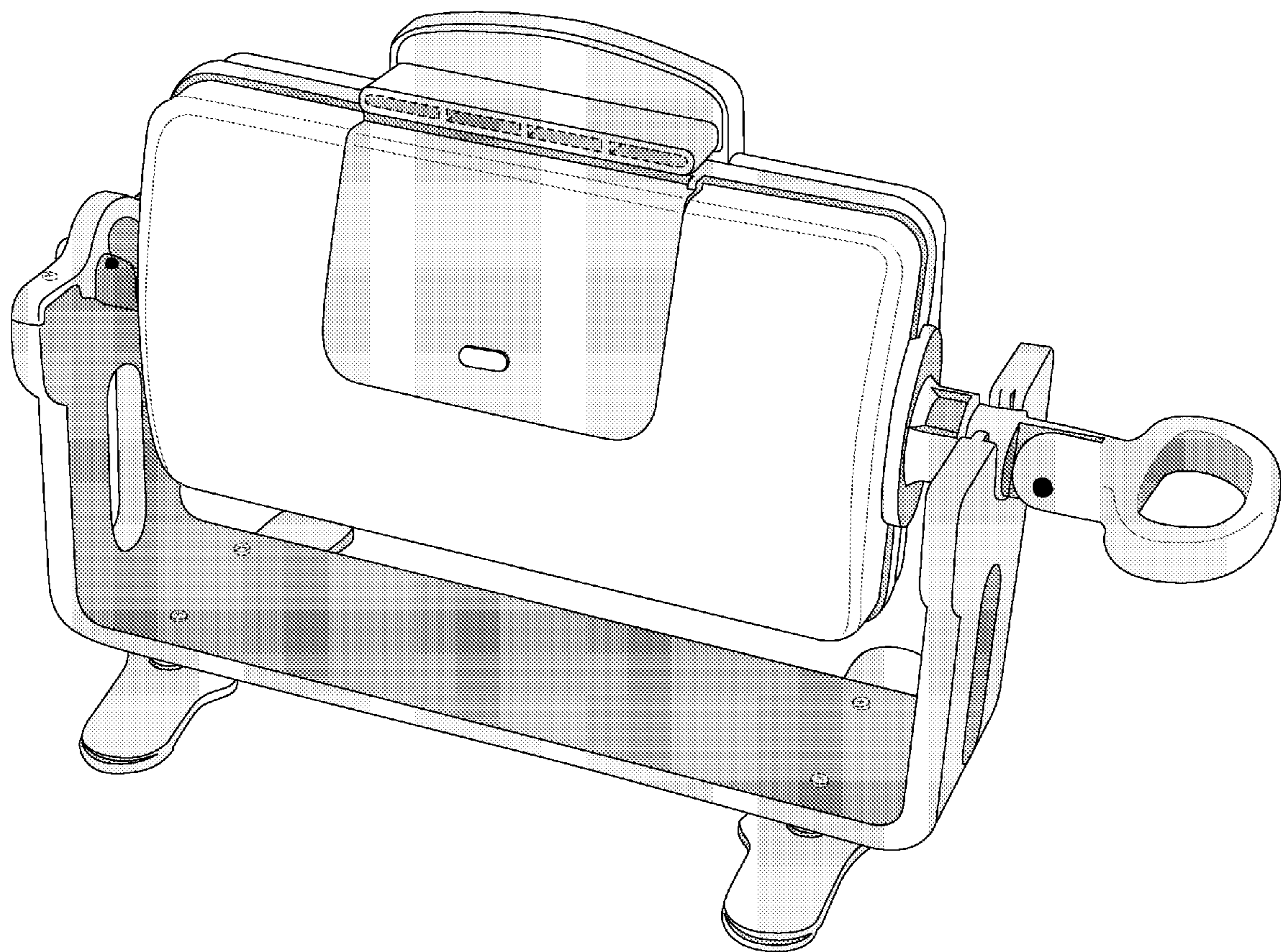


FIGURE 5

