

US00D587059S

(12) **United States Design Patent**
Bodum

(10) **Patent No.:** **US D587,059 S**
(45) **Date of Patent:** **** Feb. 24, 2009**

(54) **DOUBLE WALL COFFEE PRESS**
(75) Inventor: **Jørgen Bodum**, Meggen (CH)
(73) Assignee: **Pi-Design AG**, Triengen (CH)
(**) Term: **14 Years**

D316,206 S * 4/1991 Daenen et al. D7/317
D449,957 S * 11/2001 Yeh D7/319
D488,340 S * 4/2004 Zimmermann D7/318
D500,626 S * 1/2005 Ranzoni D7/317
D542,078 S * 5/2007 Bodum D7/319
D568,667 S * 5/2008 Appleton D7/319

(21) Appl. No.: **29/284,303**
(22) Filed: **Sep. 5, 2007**

* cited by examiner

Primary Examiner—Marianne Pandozzi
(74) *Attorney, Agent, or Firm*—Cowan, Liebowitz & Latman, PC

(30) **Foreign Application Priority Data**
Mar. 6, 2007 (DK) DA 2007 00057

(57) **CLAIM**

The ornamental design for a double wall coffee press, as shown and described.

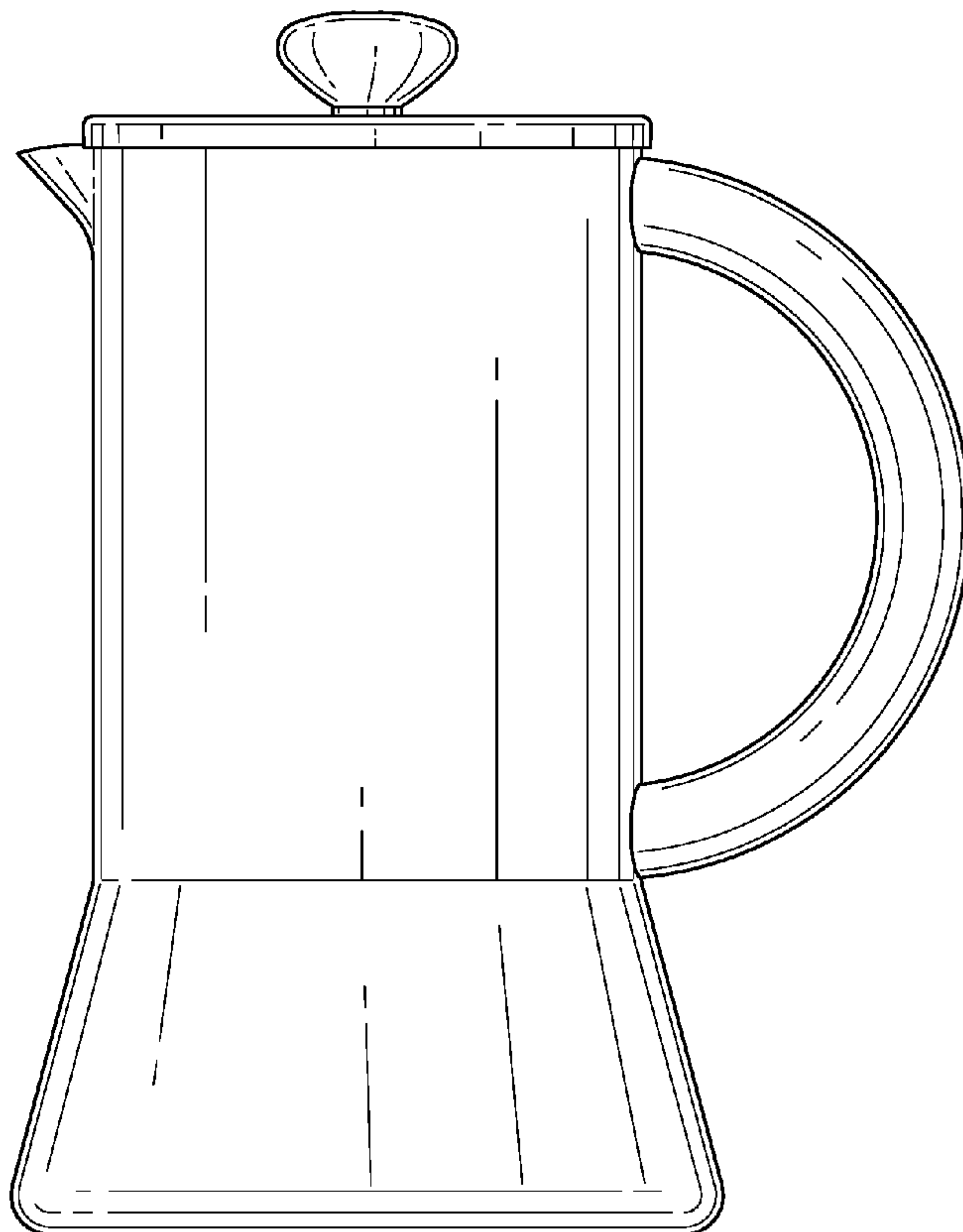
(51) **LOC (9) Cl.** **07-01**
(52) **U.S. Cl.** **D7/319; D7/317**
(58) **Field of Classification Search** D7/300,
D7/312, 316–319, 600, 598; 219/441; 220/663,
220/298; 99/285, 300; 215/13.1; 222/183
See application file for complete search history.

DESCRIPTION

FIG. 1 is a perspective view of the double wall coffee press showing my design thereof;
FIG. 2 is a front view thereof;
FIG. 3 is a rear view thereof;
FIG. 4 is a right side view thereof;
FIG. 5 is a left side view thereof;
FIG. 6 is a top view thereof; and,
FIG. 7 is a bottom plan view thereof.

(56) **References Cited**
U.S. PATENT DOCUMENTS
2,533,578 A * 12/1950 Gomersall 220/663
D216,370 S * 12/1969 Hing et al. D7/317
D232,687 S * 9/1974 Rayda D7/317
D308,459 S * 6/1990 Balzano D7/317
D308,460 S * 6/1990 Balzano D7/317
D312,744 S * 12/1990 Jorgensen D7/317

1 Claim, 7 Drawing Sheets



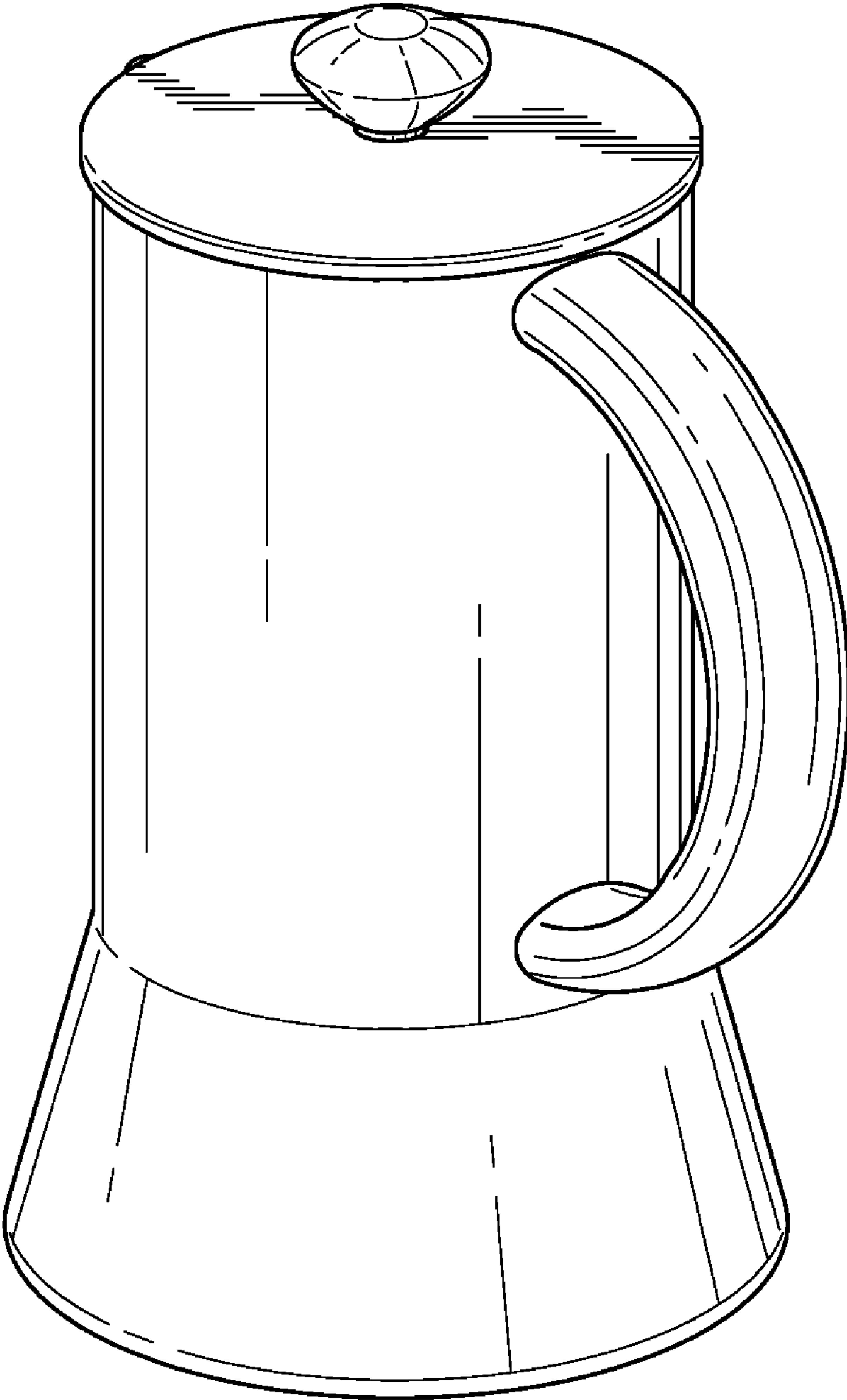


FIG. 1

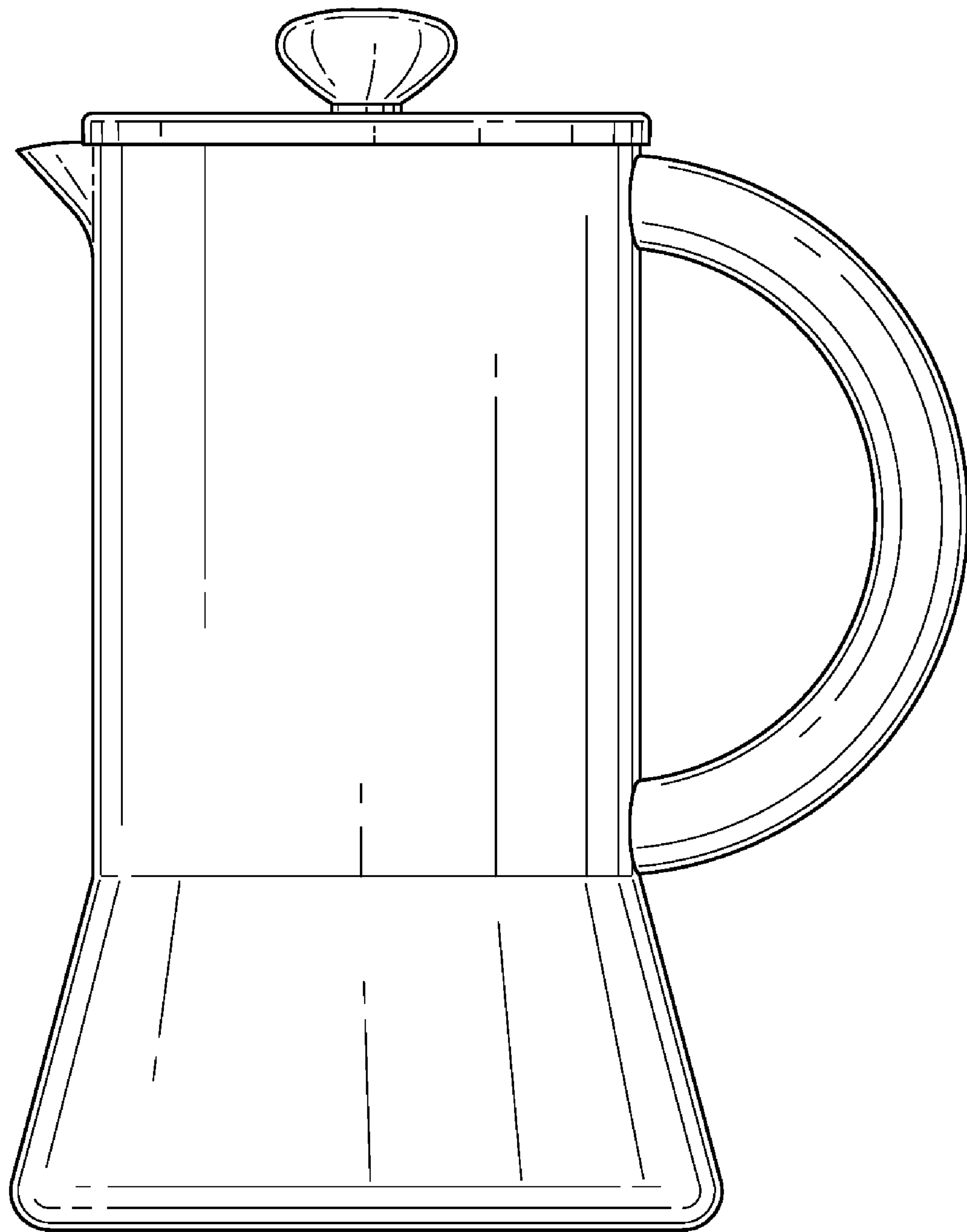


FIG. 2

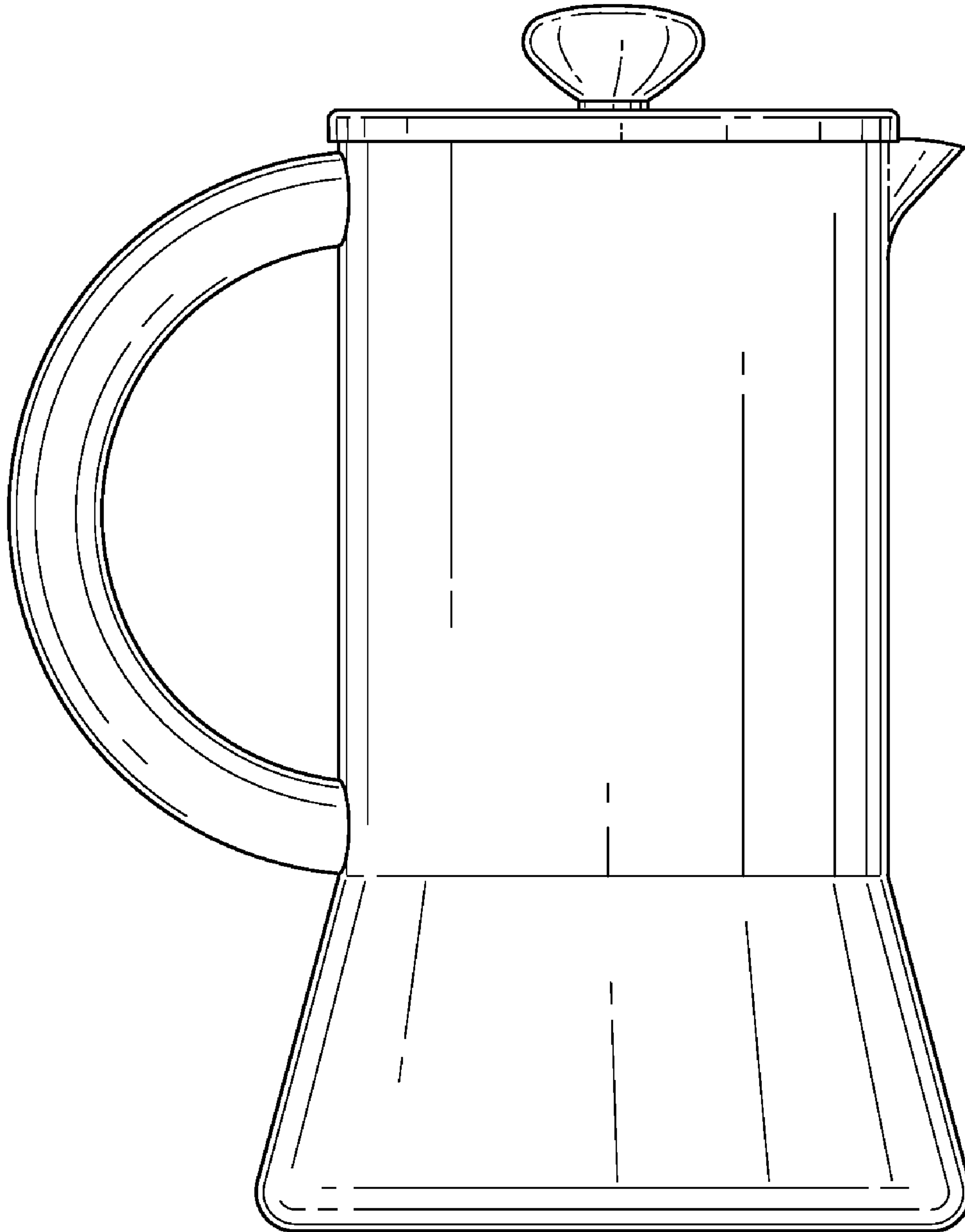


FIG. 3

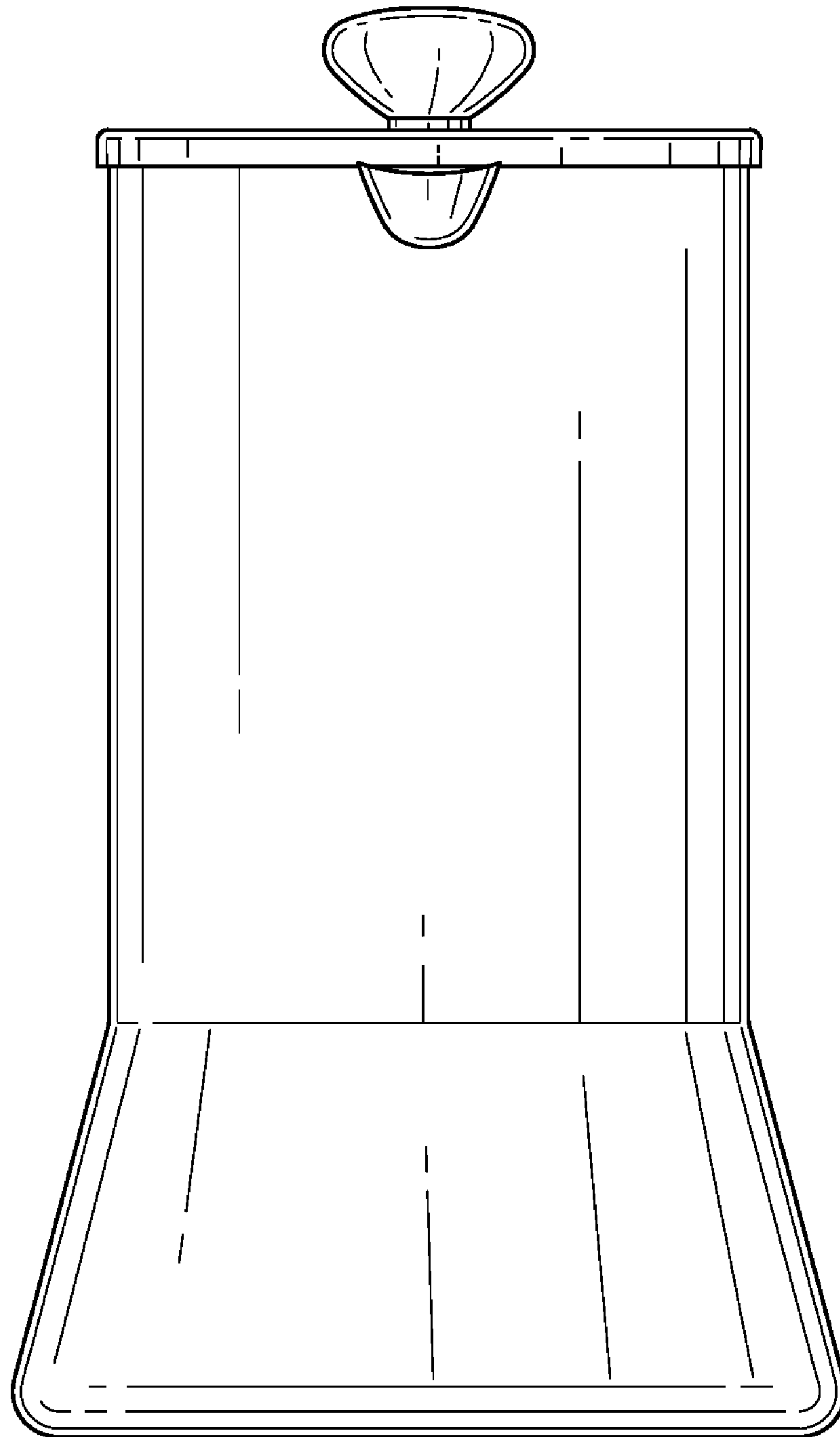


FIG. 4

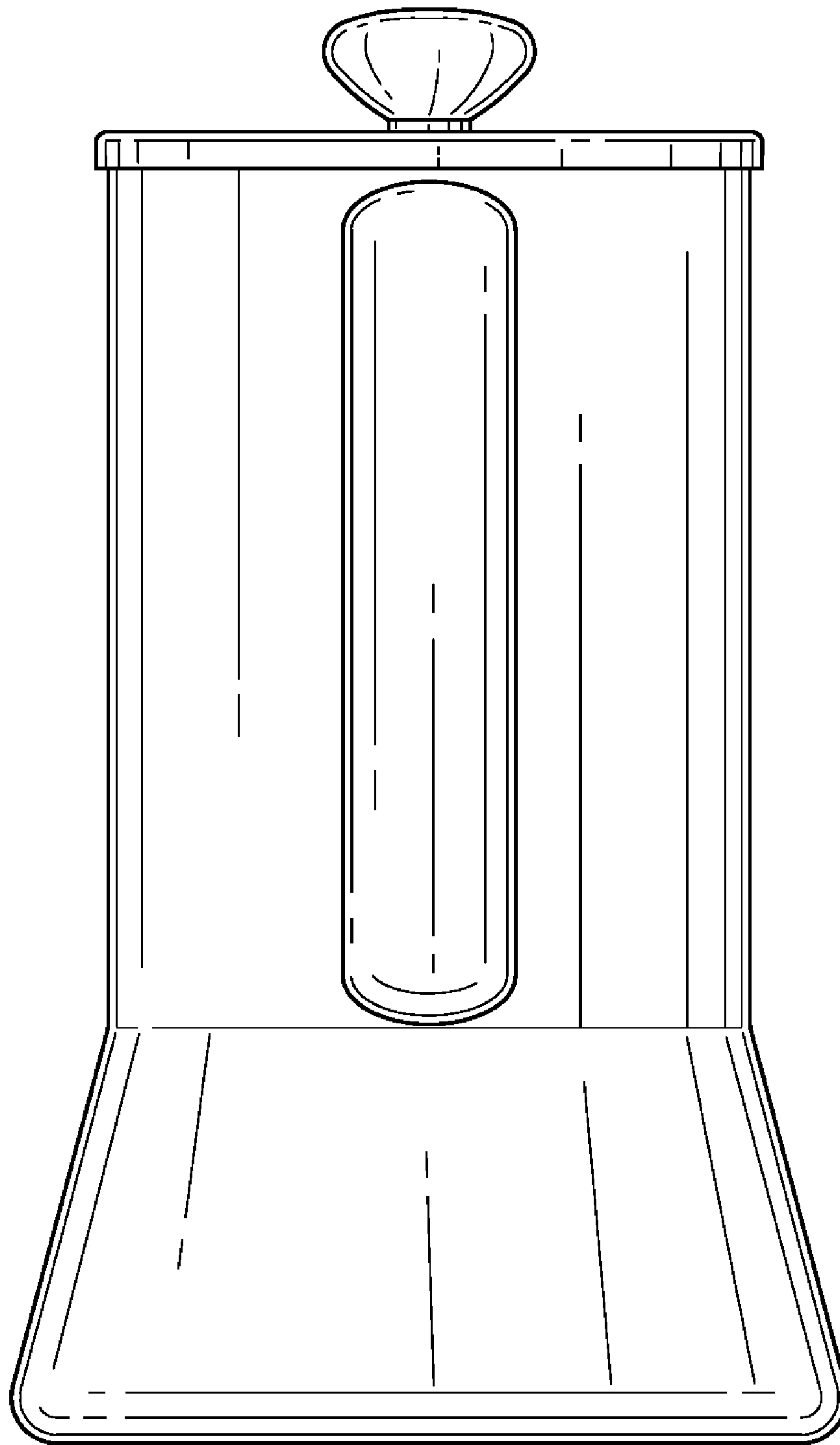


FIG. 5

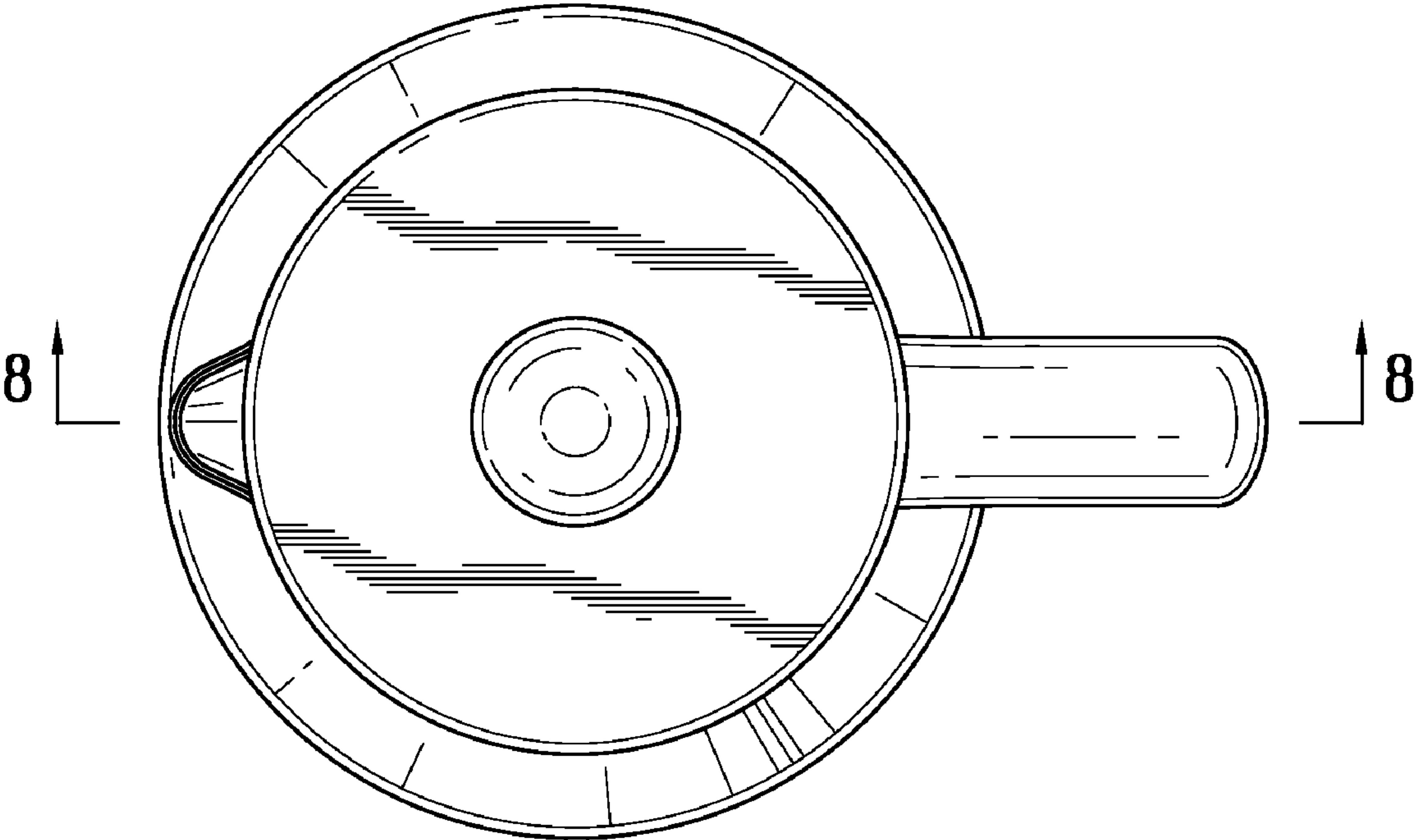


FIG. 6

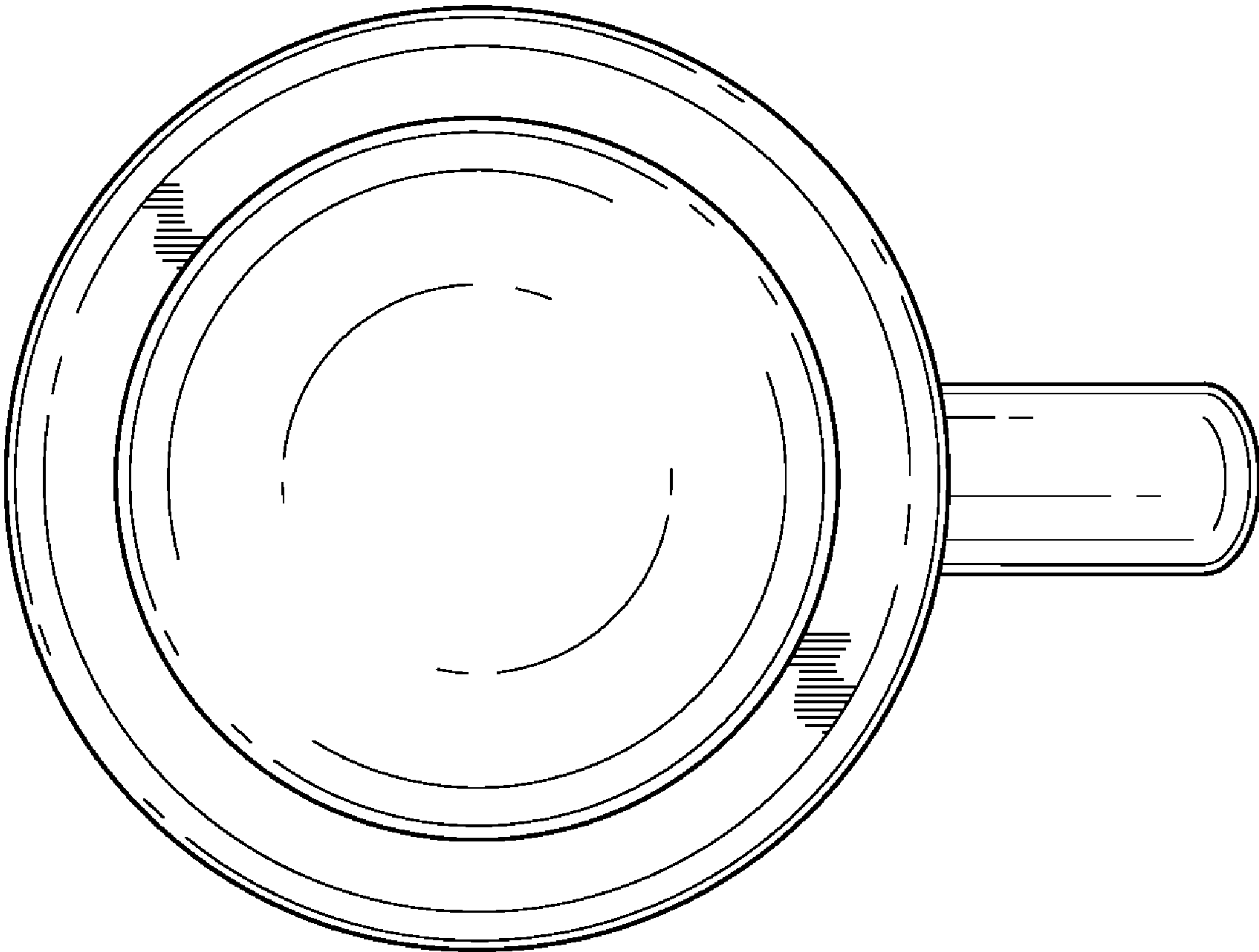


FIG. 7