



US00D587054S

(12) **United States Design Patent**
Patterson et al.

(10) **Patent No.:** **US D587,054 S**

(45) **Date of Patent:** **** Feb. 24, 2009**

(54) **VALANCE MOUNTING CLIP**

(76) Inventors: **Don A. Patterson**, 909 E. San Angelo,
Gilbert, AZ (US) 85233; **John R.**
Lowry, 887 N. Date Palm Dr., Gilbert,
AZ (US) 85234

(**) Term: **14 Years**

(21) Appl. No.: **29/322,148**

(22) Filed: **Jul. 30, 2008**

(51) **LOC (9) Cl.** **06-10**

(52) **U.S. Cl.** **D6/580; D6/579**

(58) **Field of Classification Search** D6/575,
D6/577, 579, 580, 581, 582, 583, 584, 585,
D6/586; 160/19, 38, 39, 128.1 R, 177 R,
160/902, 166.1, 176.1 R; 248/251, 261,
248/542; D8/382, 394, 395; 190/122
See application file for complete search history.

(56) **References Cited**

U.S. PATENT DOCUMENTS

2,155,152	A *	4/1939	Shehan	160/38
2,367,322	A *	1/1945	Wright et al.	248/542
4,260,043	A *	4/1981	Remington	190/122
4,399,856	A *	8/1983	Anderson	160/39
5,012,850	A *	5/1991	Schrader	160/38
5,188,162	A *	2/1993	Simon et al.	160/166.1
5,816,308	A *	10/1998	De Hoyos	160/178.1 R
D411,067	S *	6/1999	Cadorette	D6/579
D418,352	S *	1/2000	Cadorette	D6/580
D418,353	S *	1/2000	Cadorette	D6/580
D418,401	S *	1/2000	Anderson	D8/395
D418,744	S *	1/2000	Anderson	D8/395
D419,022	S *	1/2000	Cadorette	D6/580
D480,250	S *	10/2003	Nainee	D6/580

D482,223	S *	11/2003	Bibby et al.	D6/580
6,672,359	B2 *	1/2004	Morris	160/38
D494,401	S *	8/2004	Davies et al.	D6/580
D541,094	S *	4/2007	Yu et al.	D6/580
D541,567	S *	5/2007	Spence	D6/580
D542,067	S *	5/2007	Watkins et al.	D6/580
D542,068	S *	5/2007	Watkins et al.	D6/580
D552,396	S *	10/2007	Balenzano	D6/580
D554,422	S *	11/2007	Lin	D6/580
D567,002	S *	4/2008	Allsopp	D6/580

* cited by examiner

Primary Examiner—Robert M Spear

Assistant Examiner—Barbara B Lohr

(74) *Attorney, Agent, or Firm*—AdvantEdge Law Group,
LLC

(57) **CLAIM**

The ornamental design for a valance mounting clip, as shown and described.

DESCRIPTION

FIG. 1 is a perspective view of an exemplary valance mounting clip;

FIG. 2 is a front view of the valance mounting clip of FIG. 1;

FIG. 3 is a rear view of the valance mounting clip of FIG. 1;

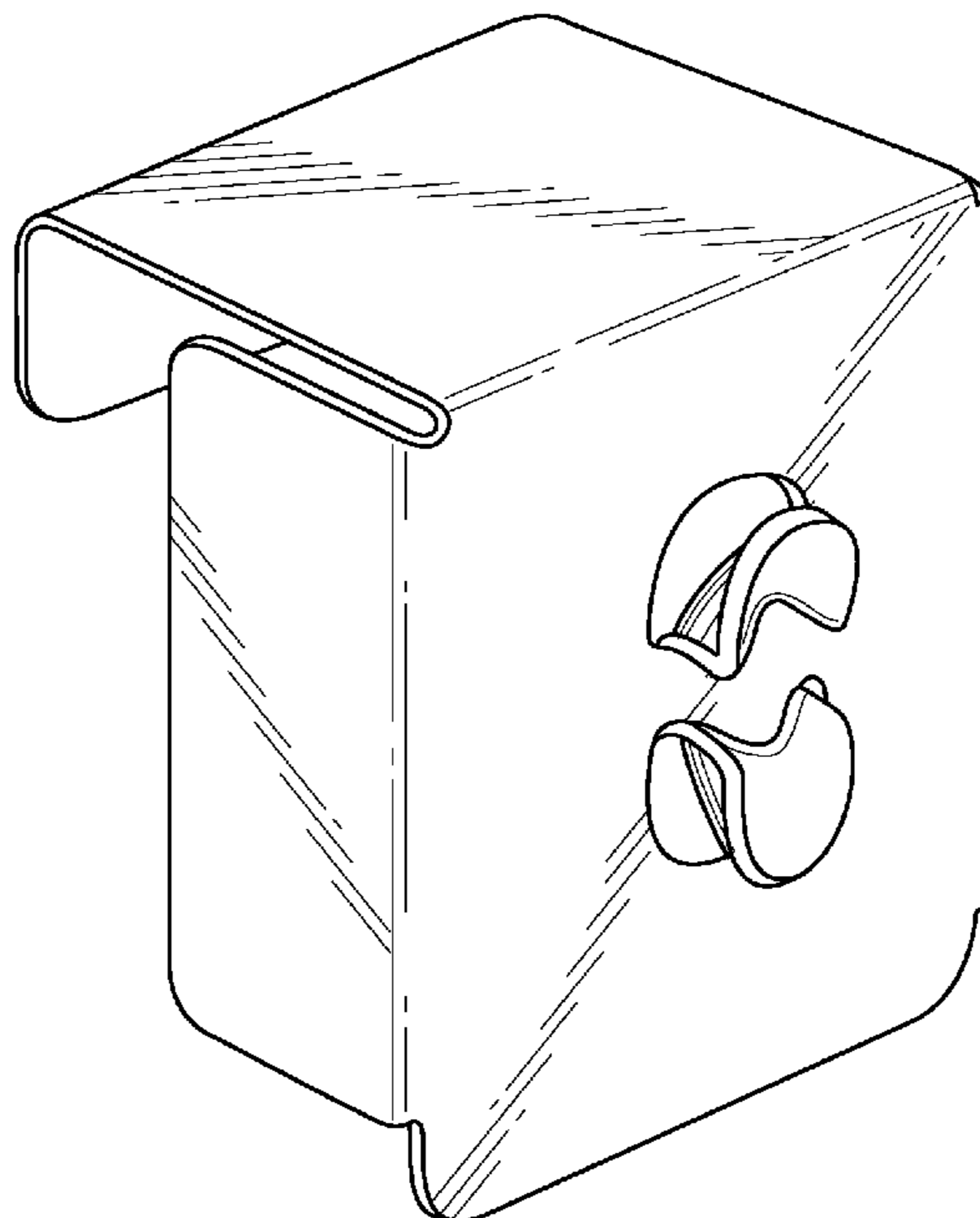
FIG. 4 is a bottom view of the valance mounting clip of FIG. 1;

FIG. 5 is a side view of the valance mounting clip of FIG. 1;

FIG. 6 is a top view of the valance mounting clip of FIG. 1; and,

FIG. 7 is another side view of the valance mounting clip of FIG. 1.

1 Claim, 3 Drawing Sheets



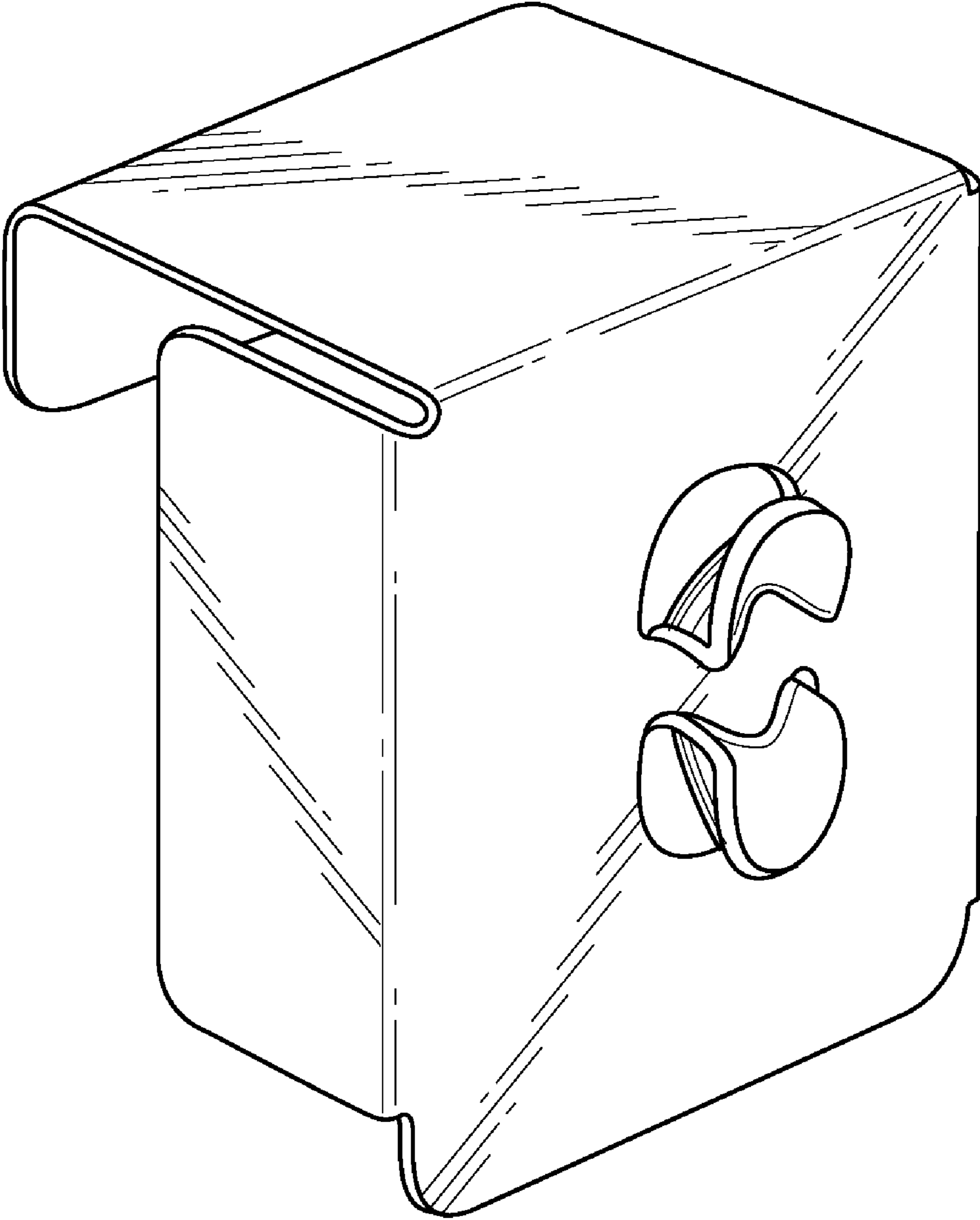


Fig. 1

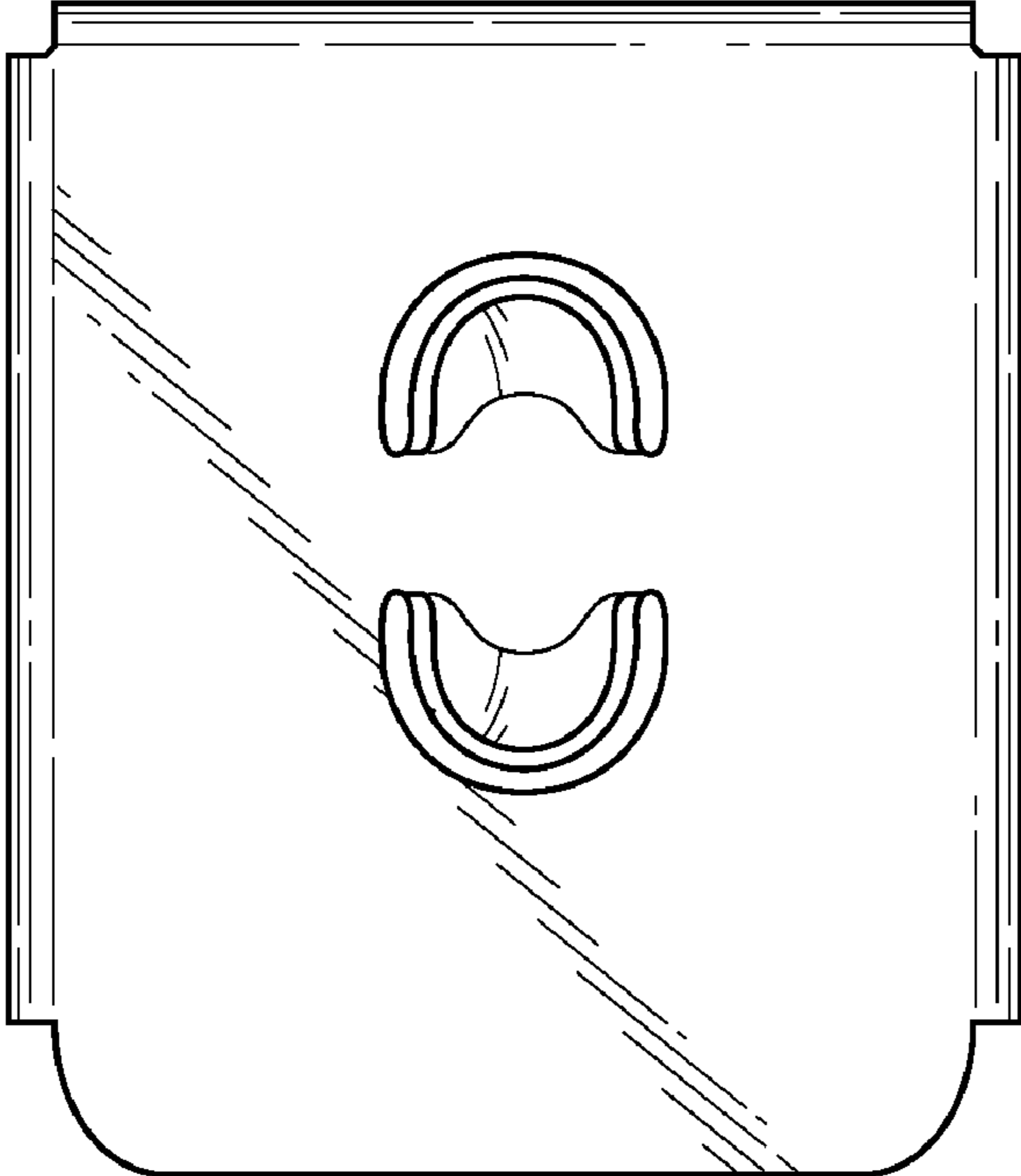


Fig. 2

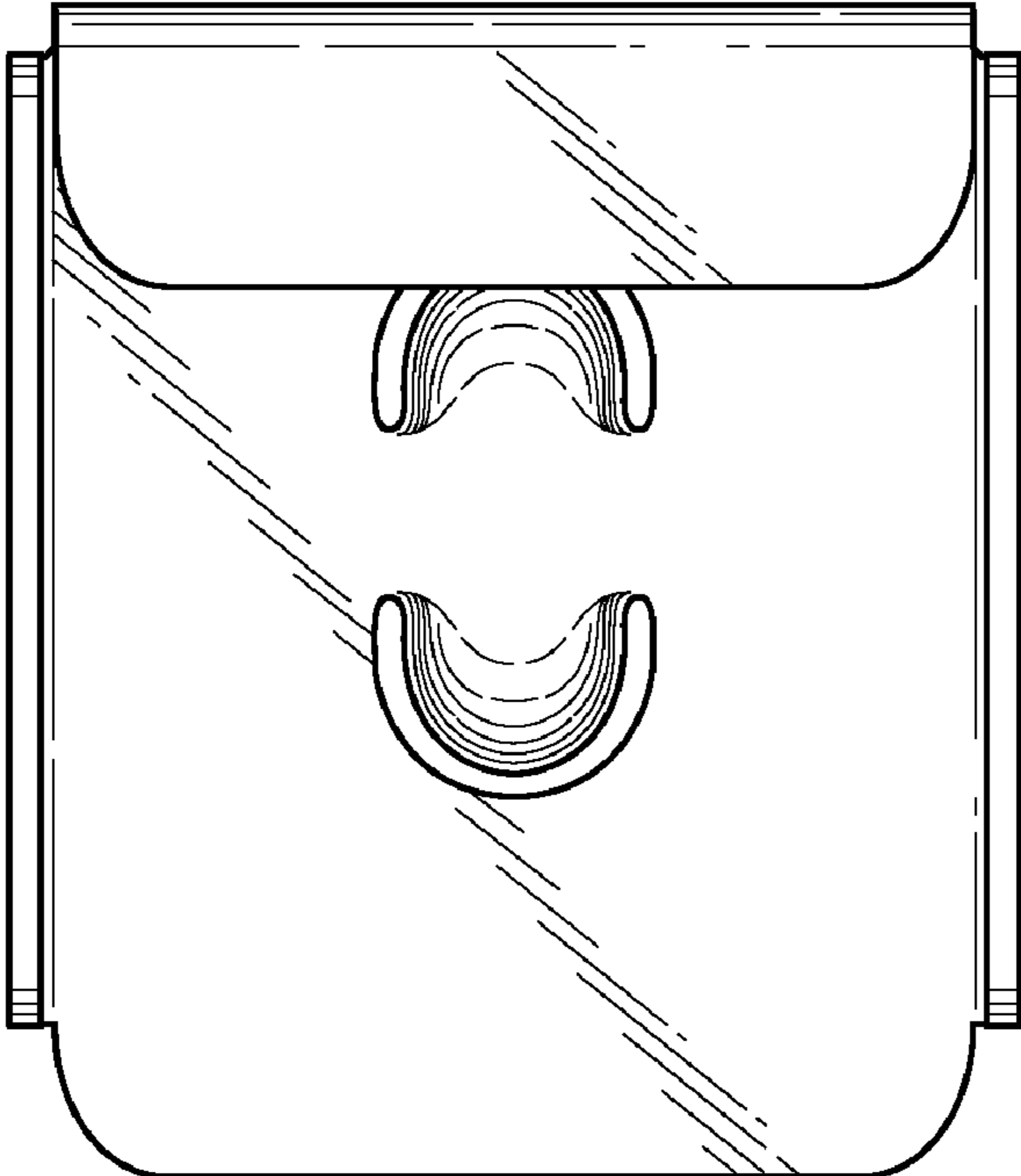


Fig. 3

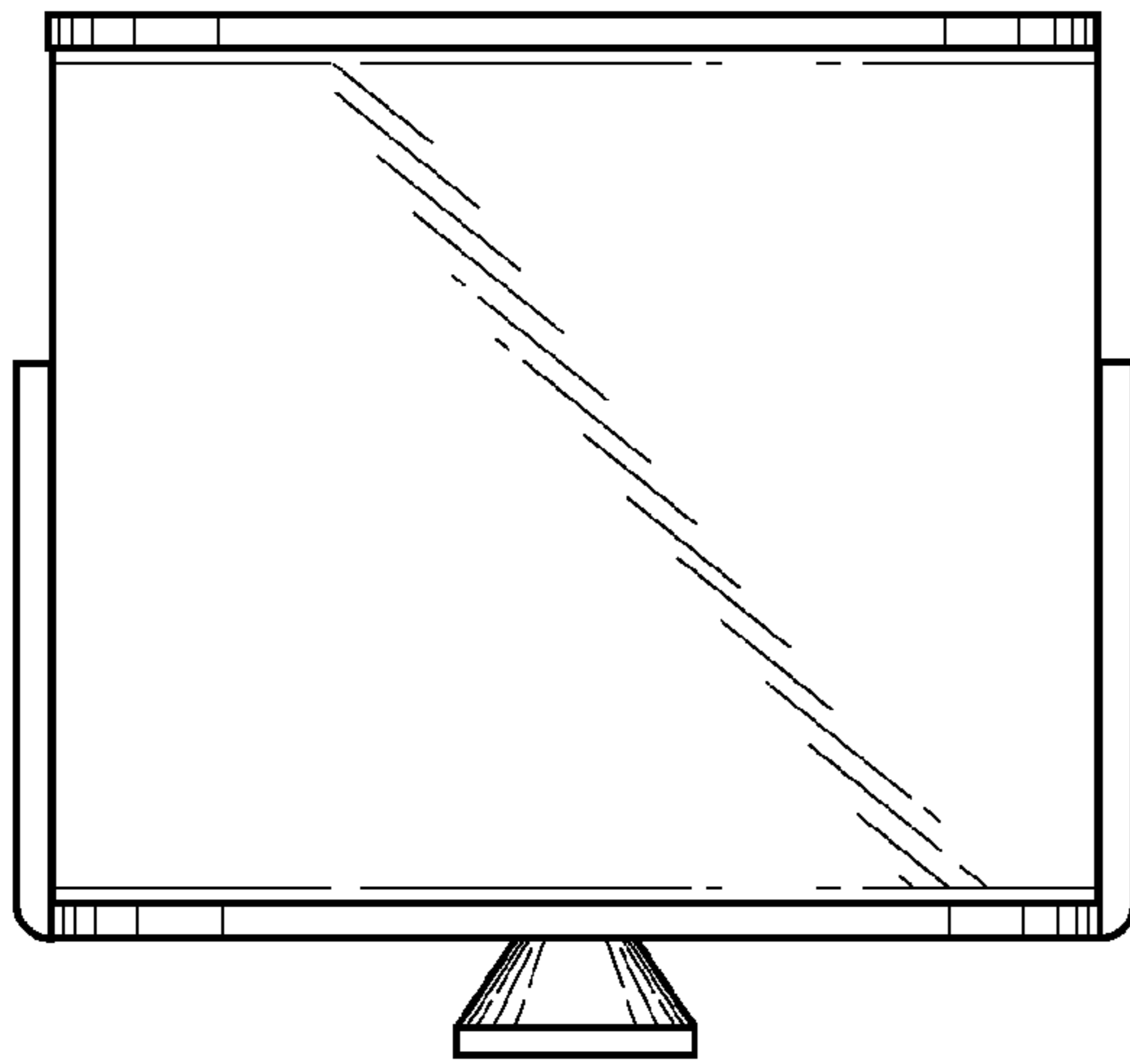


Fig. 4

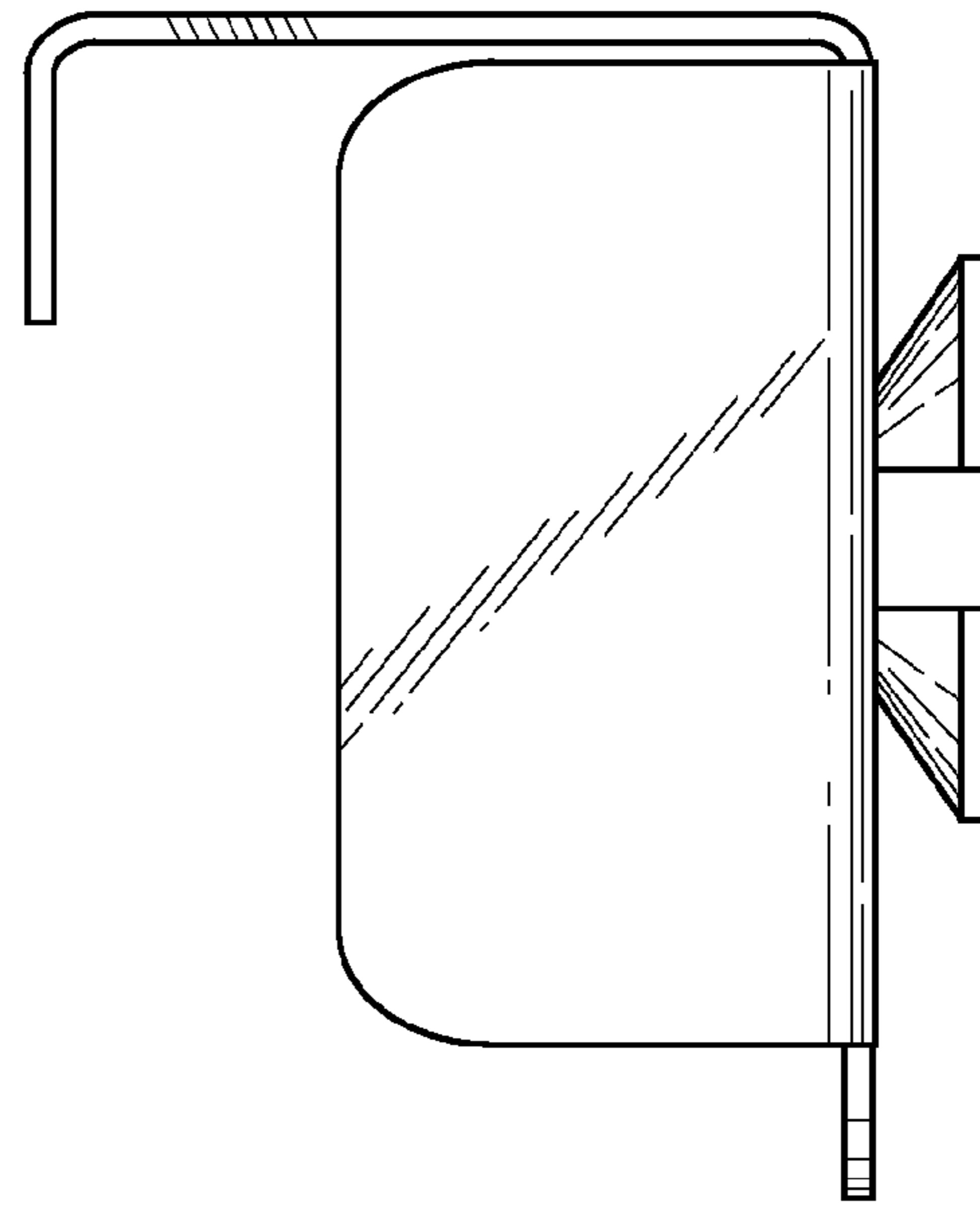


Fig. 5

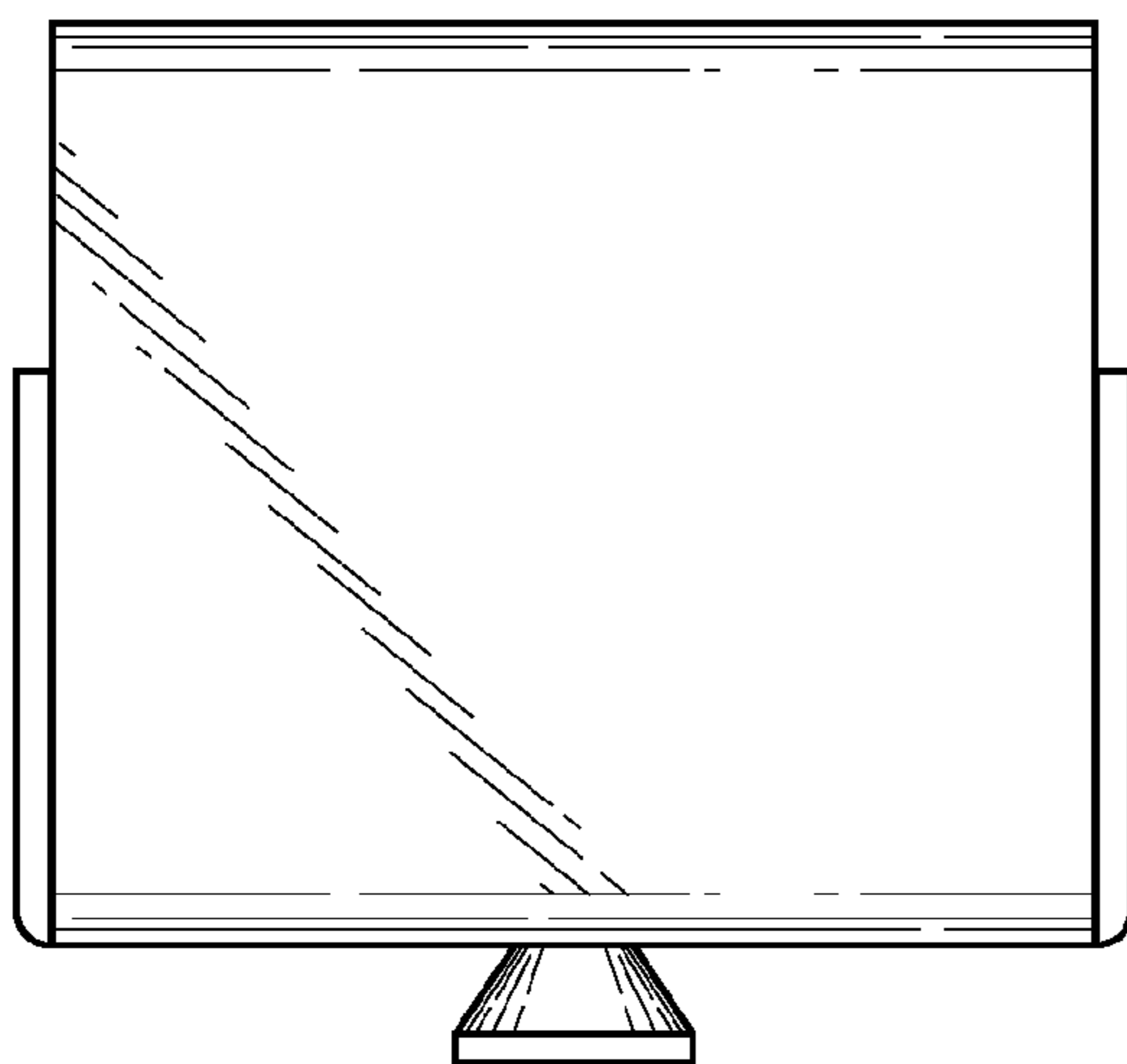


Fig. 6

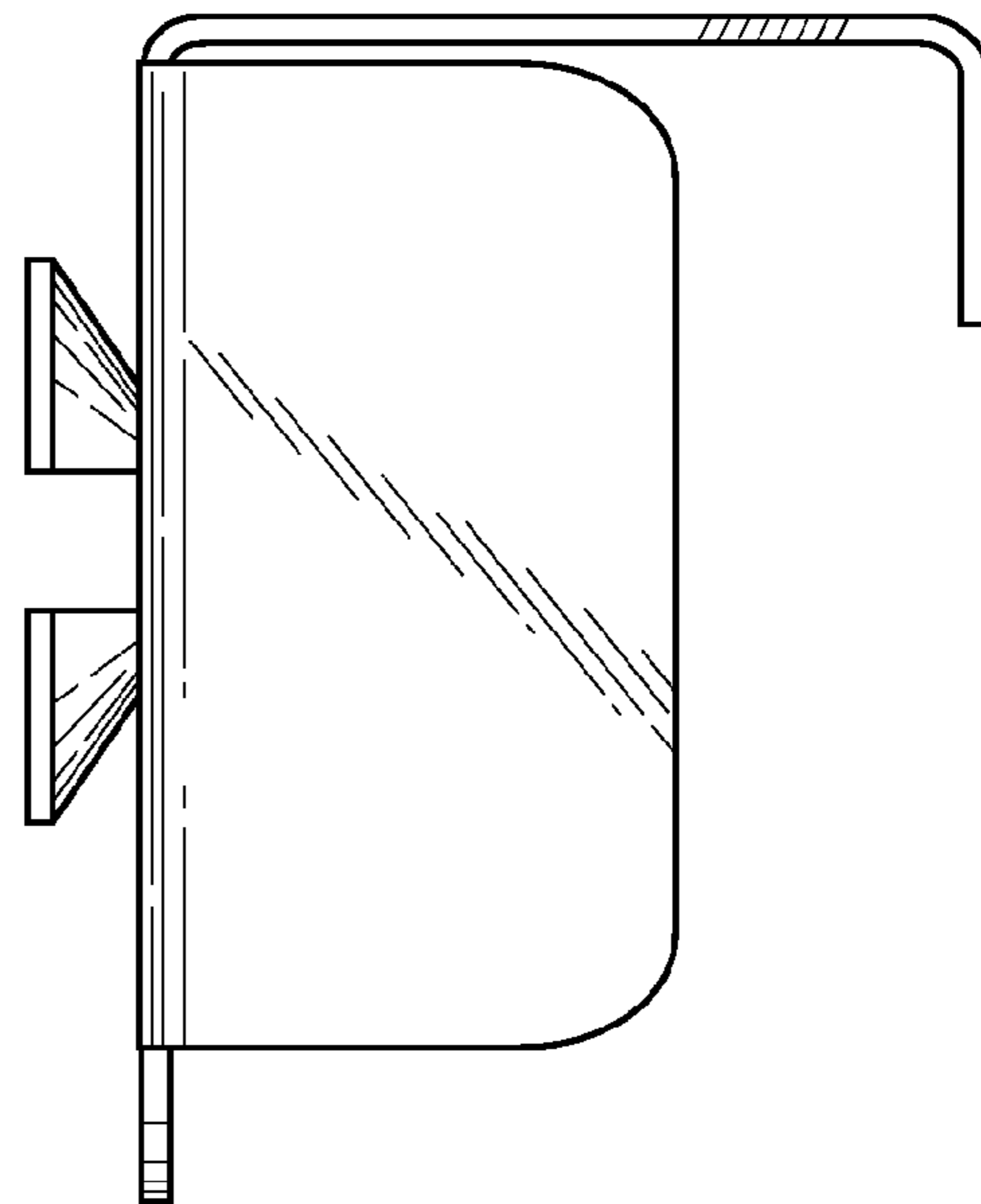


Fig. 7