



US00D587053S

(12) **United States Design Patent**
Goodman et al.

(10) **Patent No.:** **US D587,053 S**

(45) **Date of Patent:** **** Feb. 24, 2009**

(54) **WALL-MOUNT FILE HOLDER**

(75) Inventors: **Sheldon H. Goodman**, Solon, OH (US);
Omer I. Sazir, Cleveland, OH (US)

(73) Assignee: **Spectrum Diversified Designs, Inc.**,
Streetsboro, OH (US)

(**) Term: **14 Years**

(21) Appl. No.: **29/323,621**

(22) Filed: **Aug. 28, 2008**

Related U.S. Application Data

(62) Division of application No. 29/317,030, filed on Apr. 22, 2008.

(51) **LOC (9) Cl.** **06-04**

(52) **U.S. Cl.** **D6/566; D19/90**

(58) **Field of Classification Search** D6/512-514,
D6/552, 553, 524, 525, 566, 570; 211/13.1,
211/106, 70.6, 134, 70.7, 71.01, 86.01, 90.01,
211/90.03, 126.1, 181.1; 248/302
See application file for complete search history.

(56) **References Cited**

U.S. PATENT DOCUMENTS

D369,933 S * 5/1996 Tiemann D6/566

D373,040 S * 8/1996 Milroy D6/566
D423,857 S * 5/2000 Shea D6/566
D442,002 S * 5/2001 Rodack D6/566
D452,533 S * 12/2001 Goodman et al. D6/566
D453,651 S * 2/2002 Snell D6/553
D463,697 S * 4/2008 Rodriguez et al. D6/566
D567,561 S * 4/2008 Rodriguez et al. D6/566

* cited by examiner

Primary Examiner—Brian N Vinson

(74) *Attorney, Agent, or Firm*—Pearne & Gordon LLP

(57) **CLAIM**

The ornamental design for a wall-mount file holder, as shown and described.

DESCRIPTION

FIG. 1 is a perspective view of a wall-mount file holder showing our new design;

FIG. 2 is a front elevational view thereof;

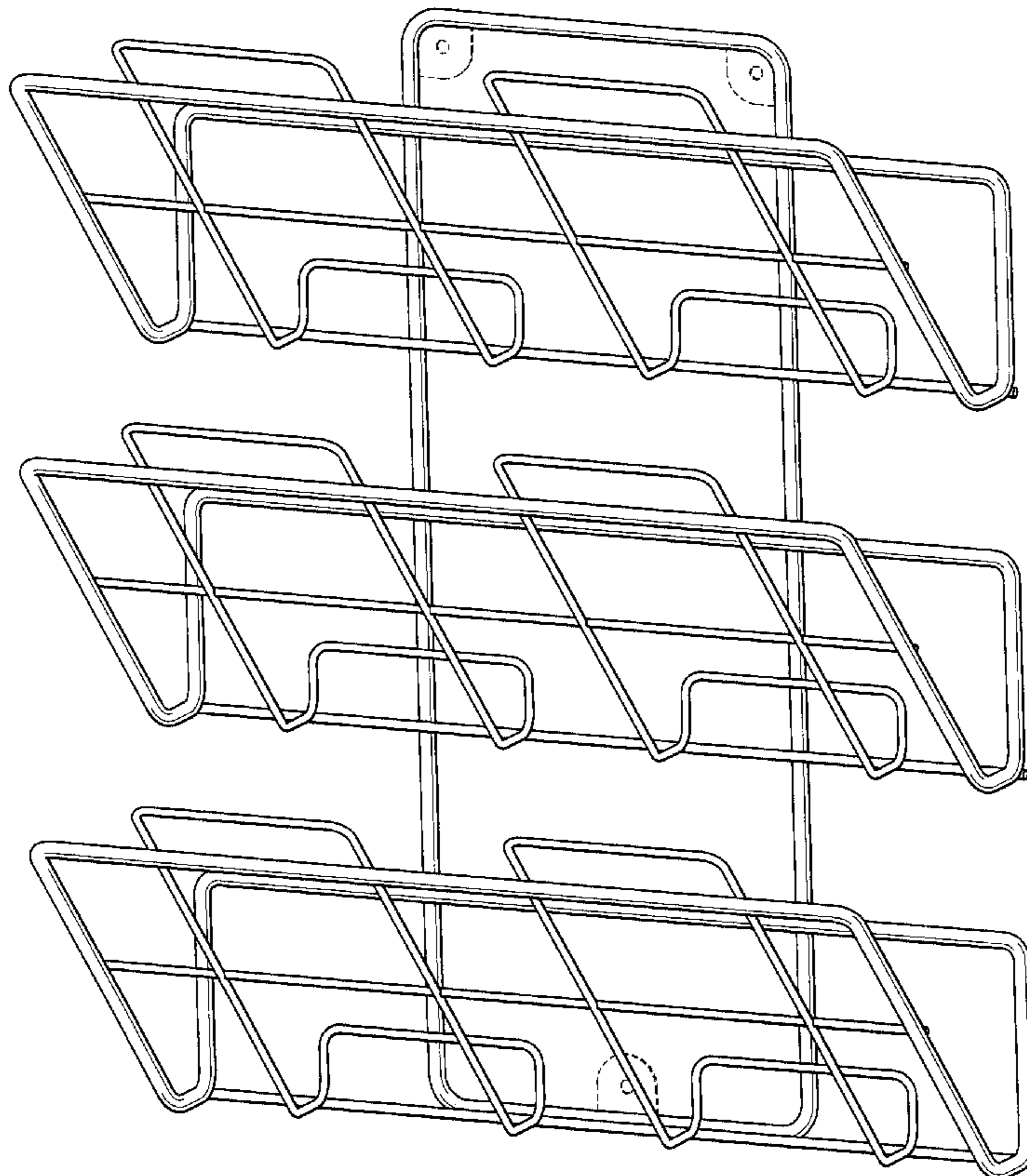
FIG. 3 is a side elevational view thereof;

FIG. 4 is a top plan view thereof; and,

FIG. 5 is a bottom plan view thereof.

The broken-line disclosure in the views is for illustrative purposes only and forms no part of the claimed design.

1 Claim, 4 Drawing Sheets



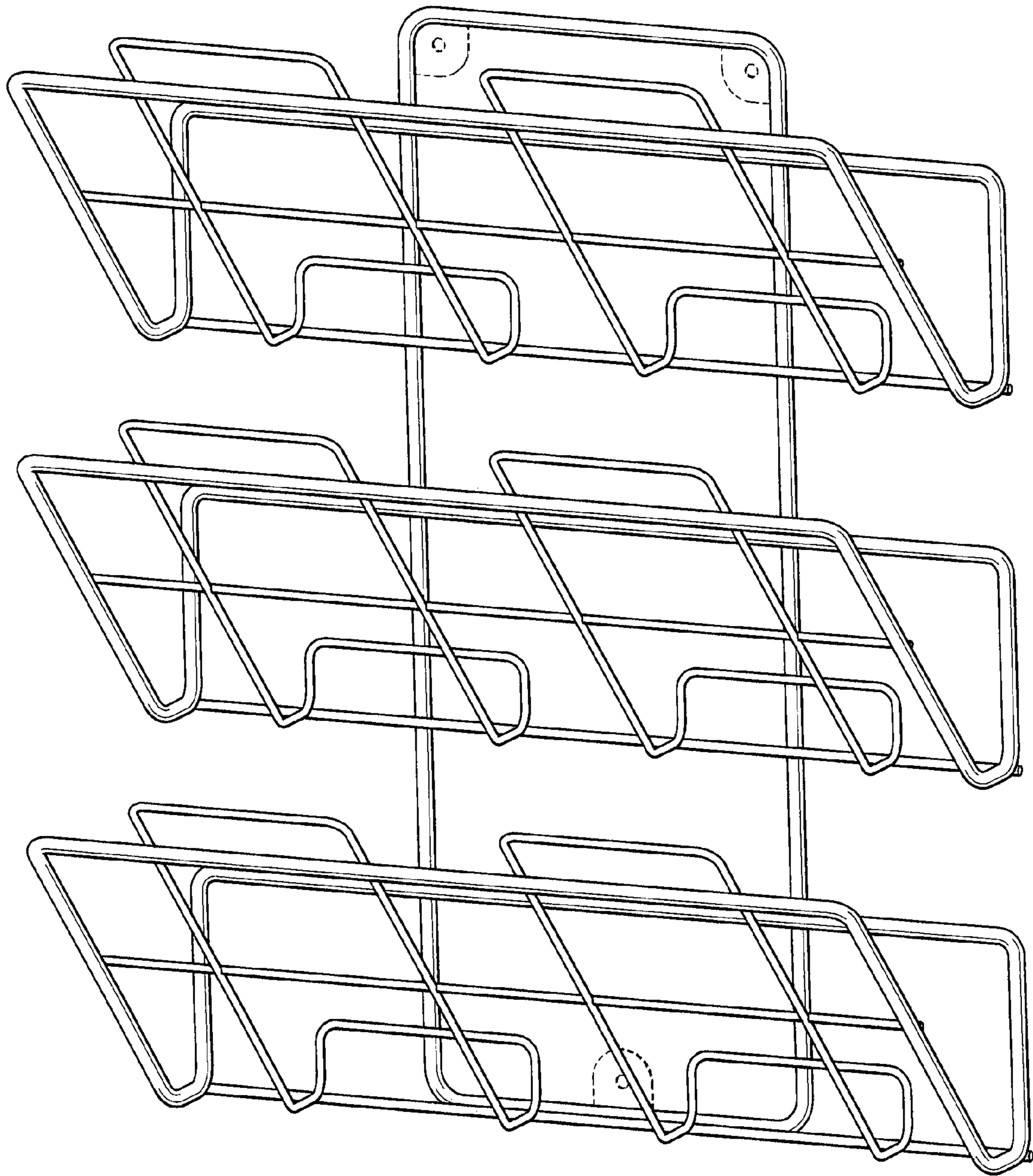


FIG. 1

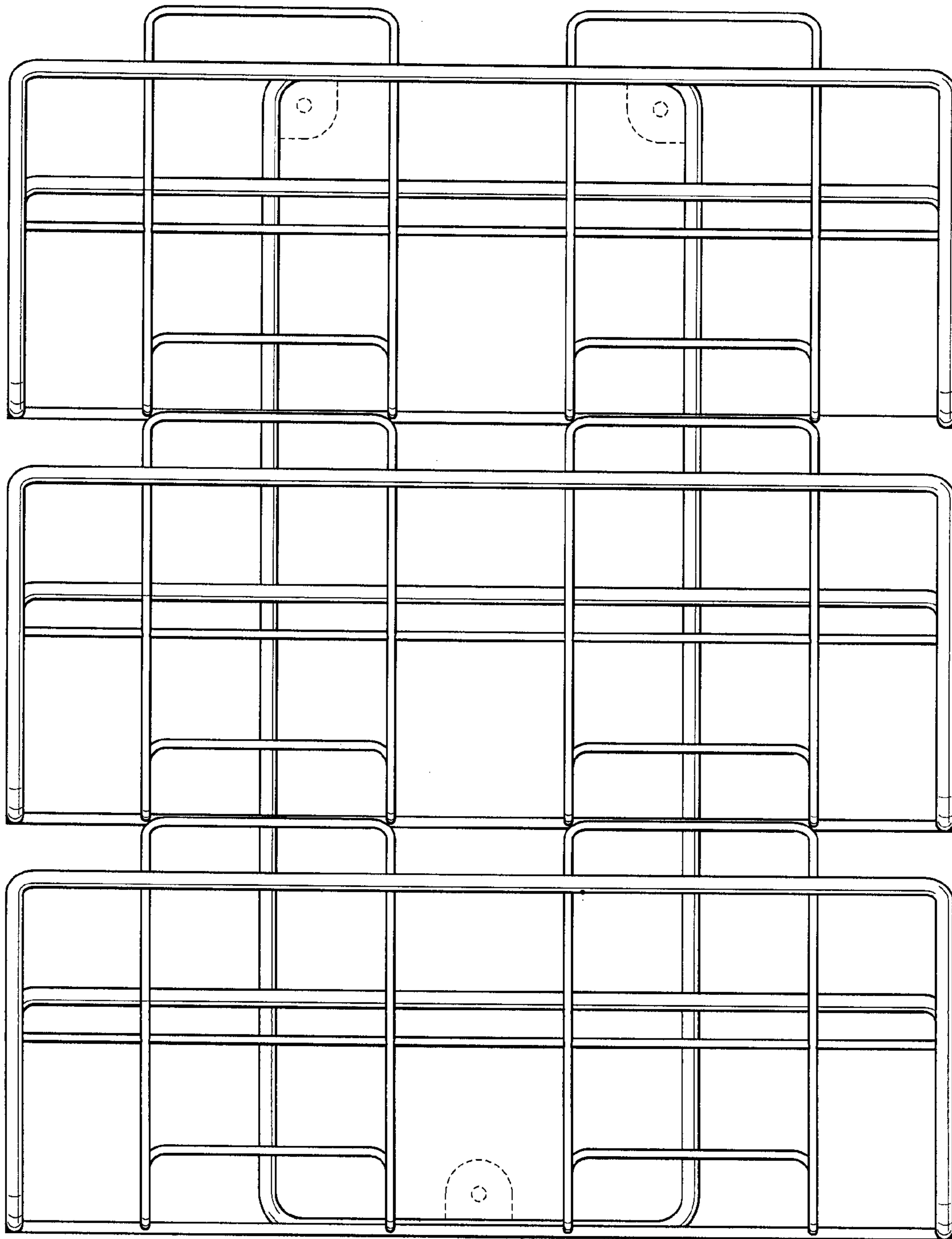


FIG. 2

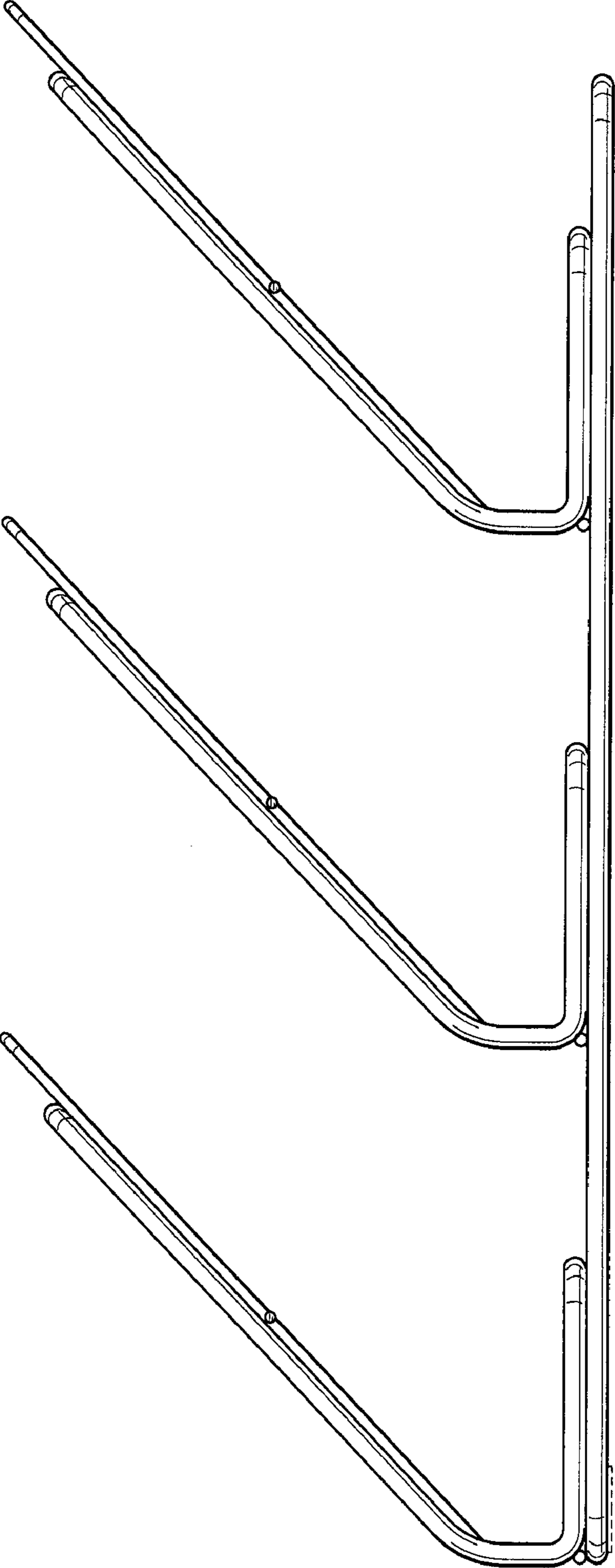


FIG. 3

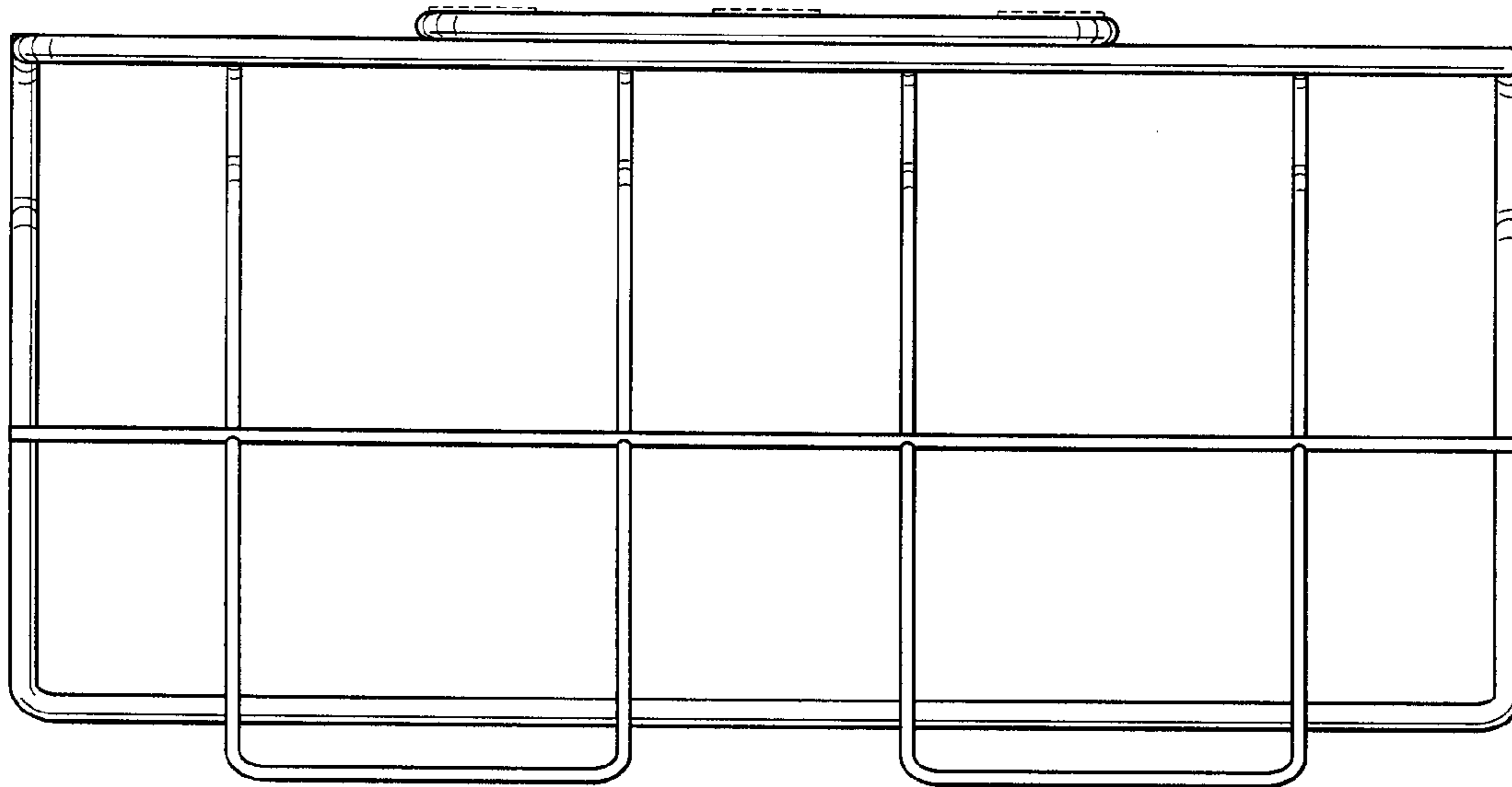


FIG. 4

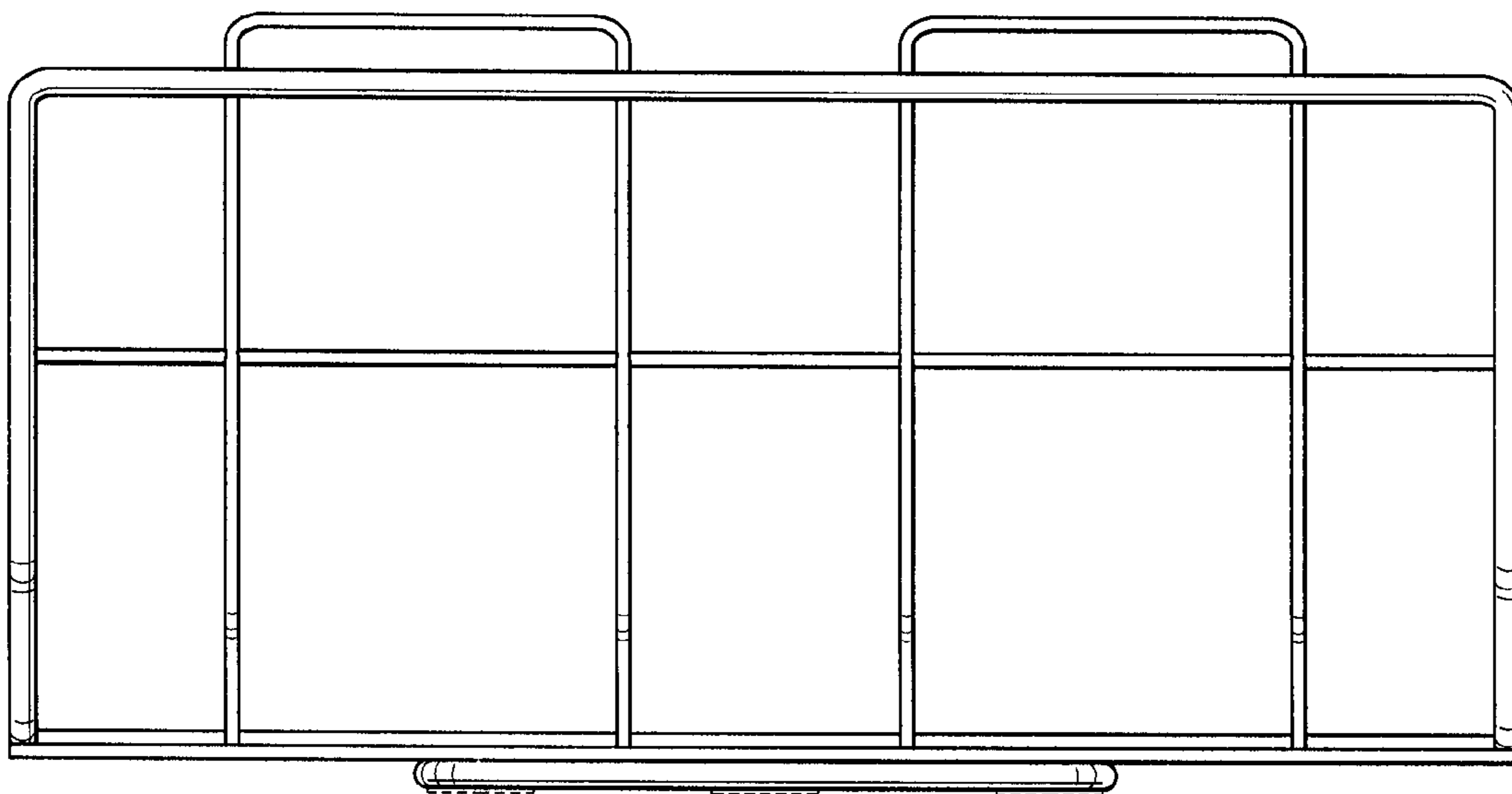


FIG. 5