



US00D587052S

(12) **United States Design Patent**  
**Goodman et al.**

(10) **Patent No.:** **US D587,052 S**

(45) **Date of Patent:** **\*\* Feb. 24, 2009**

(54) **HORIZONTAL PLATE RACK**

(75) Inventors: **Sheldon H. Goodman**, Solon, OH (US);  
**Omer I. Sazir**, Cleveland, OH (US)

(73) Assignee: **Spectrum Diversified Designs, Inc.**,  
Streetsboro, OH (US)

(\*\*) Term: **14 Years**

(21) Appl. No.: **29/303,820**

(22) Filed: **Feb. 19, 2008**

(51) **LOC (9) Cl.** ..... **06-04**

(52) **U.S. Cl.** ..... **D6/566**

(58) **Field of Classification Search** ..... D6/566,  
D6/567, 552, 569-571; D8/349, 354, 367,  
D8/370, 372, 373; 211/13.1, 41.1, 41.2,  
211/41.4, 181.1; 248/302, 309.1, 311.2,  
248/489, 490

See application file for complete search history.

(56) **References Cited**

**U.S. PATENT DOCUMENTS**

D414,970 S	*	10/1999	Goodman	.....	D6/566
D431,953 S	*	10/2000	Walters-Dowding et al.	.	D6/566
D546,609 S	*	7/2007	Goodman et al.	.....	D6/566
D547,138 S	*	7/2007	Goodman et al.	.....	D6/566
D568,652 S	*	5/2008	Goodman et al.	.....	D6/514

\* cited by examiner

*Primary Examiner*—Brian N Vinson

(74) *Attorney, Agent, or Firm*—Pearne & Gordon LLP

(57) **CLAIM**

The ornamental design for a horizontal plate rack, as shown and described.

**DESCRIPTION**

FIG. 1 is a perspective view of a horizontal plate rack, showing our new design;

FIG. 2 is a front elevational view thereof;

FIG. 3 is a top plan view thereof;

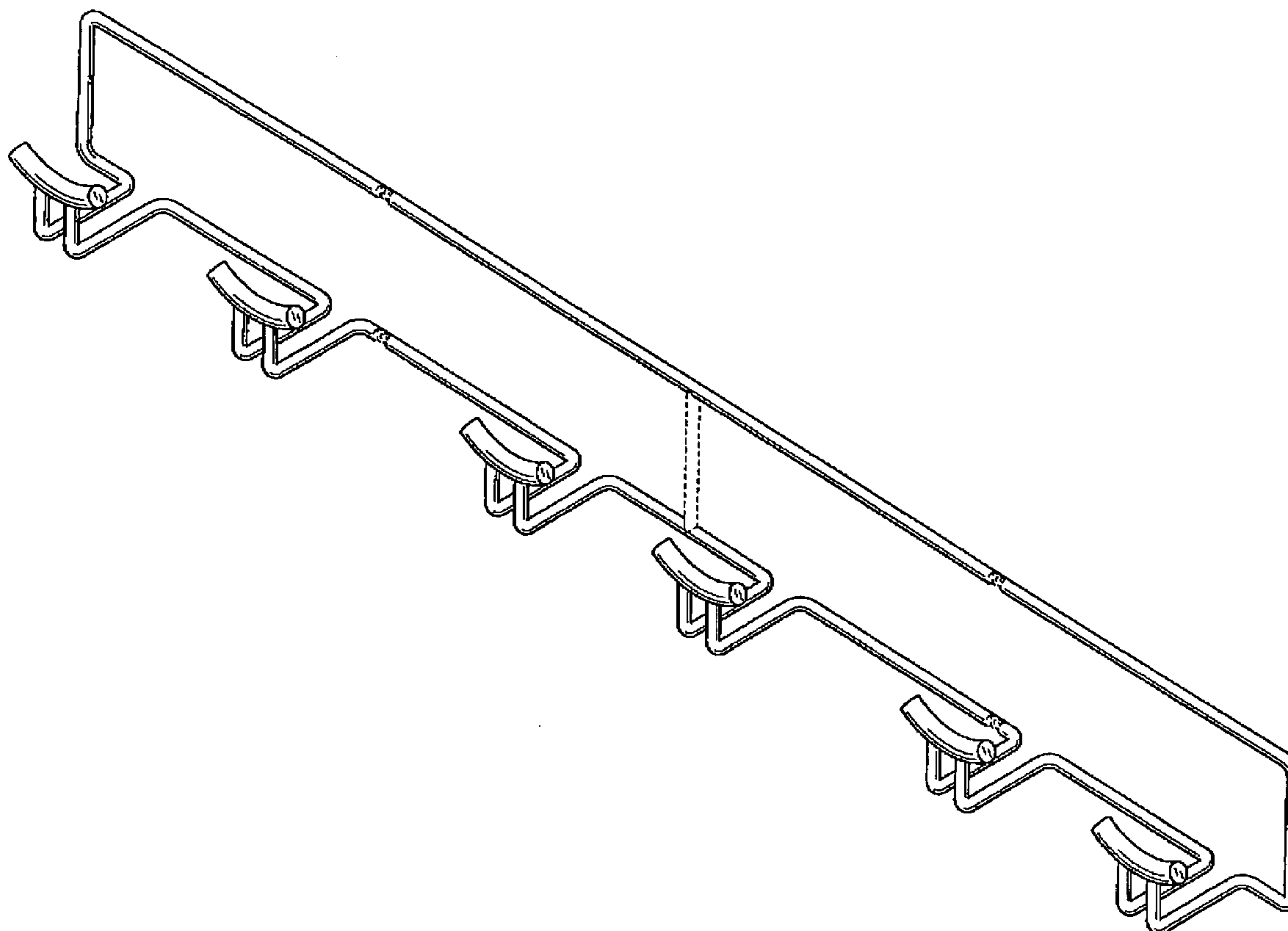
FIG. 4 is a side elevational view thereof;

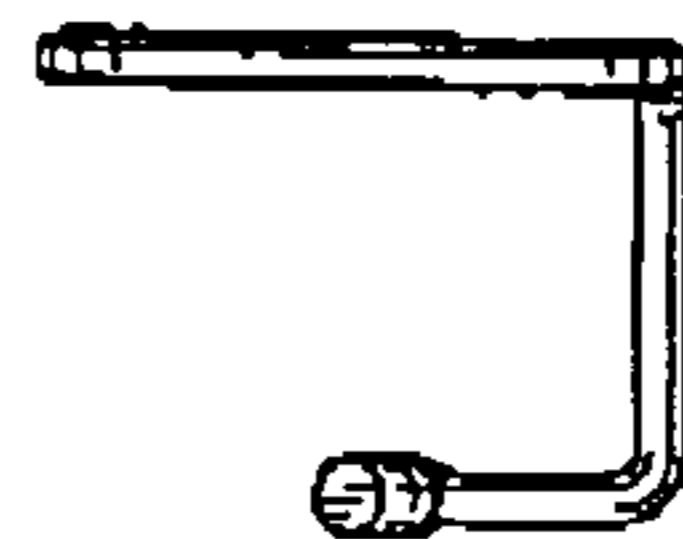
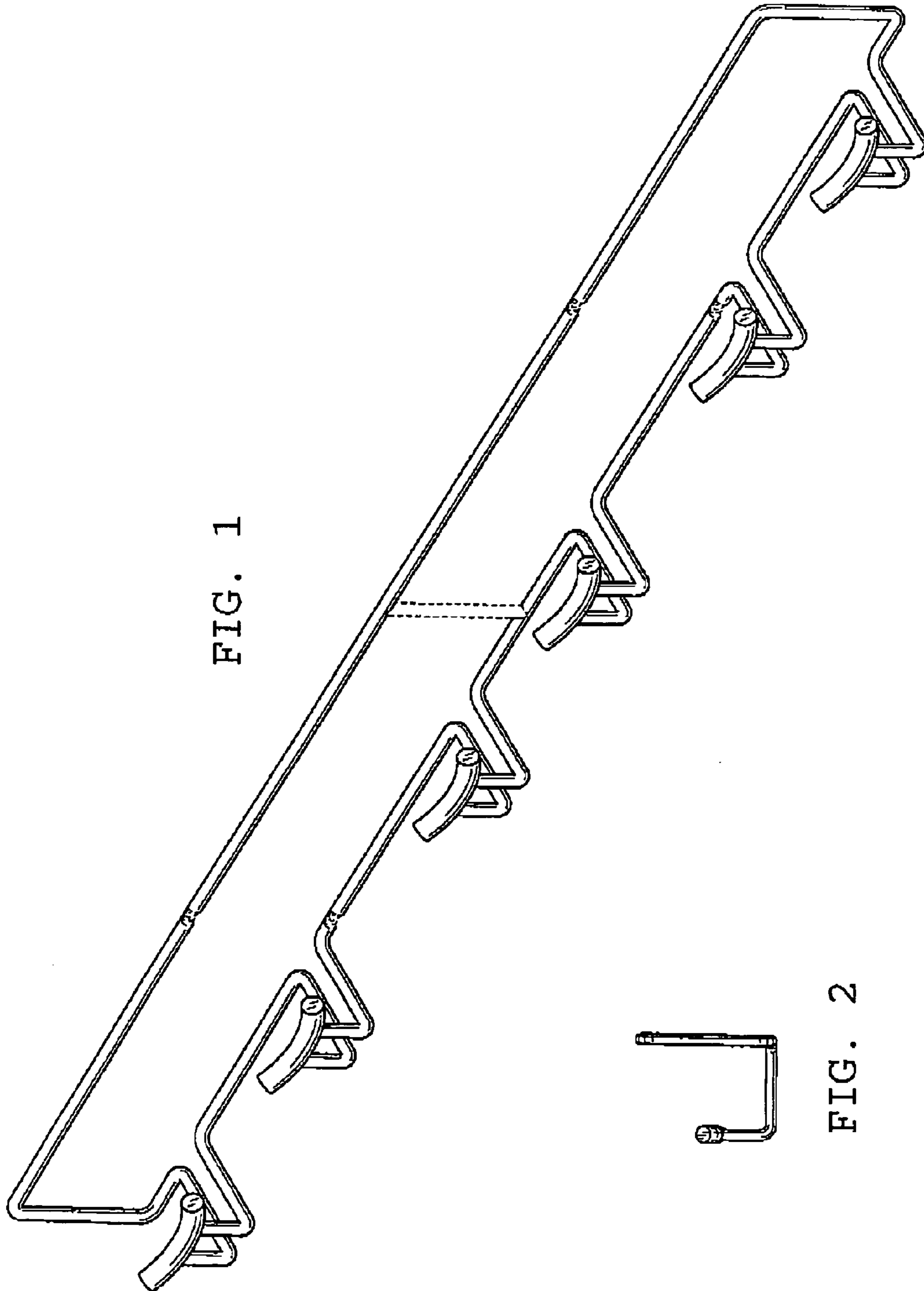
FIG. 5 is a rear elevational view thereof; and,

FIG. 6 is a bottom plan view thereof.

The jagged broken lines form no part of the claimed design and the subject matter between the jagged lines is broken away to indicate that the length of the plate rack and number of plate holders, uniformly spaced as shown, do not form part of the invention. The dotted-line disclosure of elements in the views is for illustrative purposes only and forms no part of the claimed design.

**1 Claim, 2 Drawing Sheets**





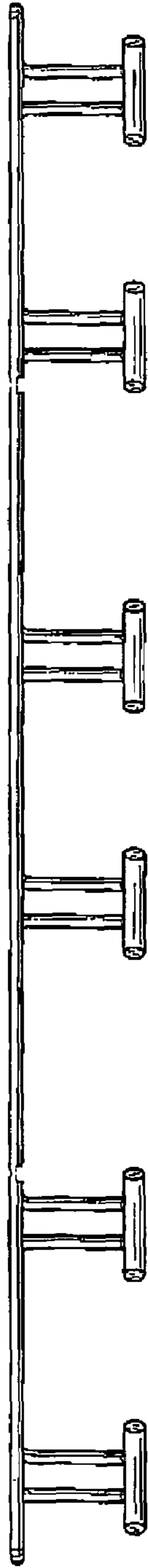


FIG. 3

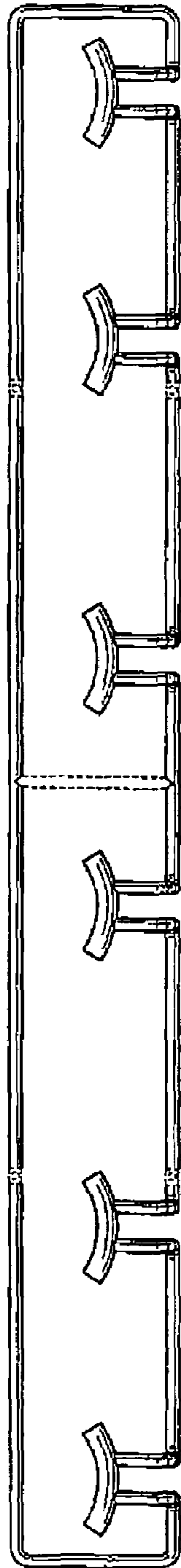


FIG. 4

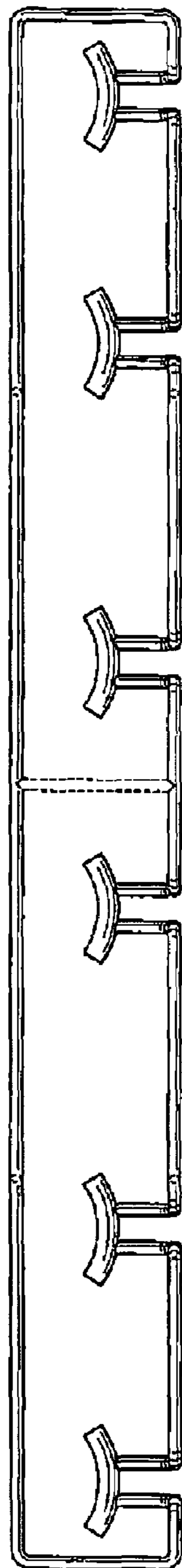


FIG. 5

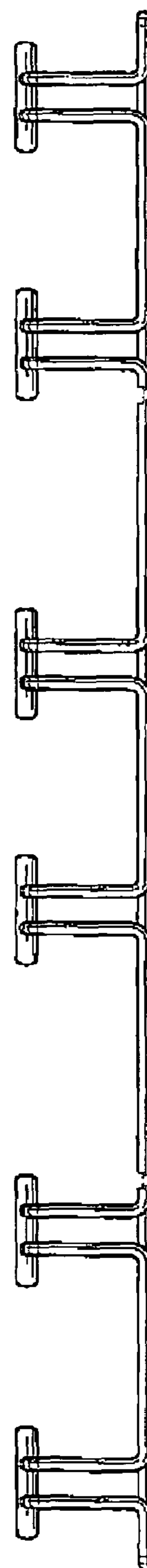


FIG. 6