



US00D587051S

(12) **United States Design Patent**
Vining

(10) **Patent No.:** **US D587,051 S**

(45) **Date of Patent:** **** Feb. 24, 2009**

(54) **FIREARM AND ACCESSORY STORAGE DEVICE**

D477,741 S * 7/2003 Wang D6/552

* cited by examiner

(76) Inventor: **Ricky Vining**, 2004 Elk Spring Rd.,
Brandon, FL (US) 33511

Primary Examiner—Brian N Vinson

(74) *Attorney, Agent, or Firm*—Golf Coast Intellectual
Property Group

(**) Term: **14 Years**

(21) Appl. No.: **29/320,198**

(57) **CLAIM**

(22) Filed: **Jun. 23, 2008**

The ornamental design for a firearm and accessory storage device, as shown and described.

(51) **LOC (9) Cl.** **08-08**

DESCRIPTION

(52) **U.S. Cl.** **D6/552**

(58) **Field of Classification Search** None
See application file for complete search history.

FIG. 1 is a left perspective view thereof, the broken line disclosure representing a firearm and firearm accessories being for illustrative purposes only forming no part of the claimed design;

(56) **References Cited**

U.S. PATENT DOCUMENTS

- D335,233 S * 5/1993 Long D6/552
- D372,616 S * 8/1996 Cute D6/552
- D381,852 S * 8/1997 Cardenas D6/552
- D382,158 S * 8/1997 Allendorph D6/552
- D406,483 S * 3/1999 Bast D6/552
- D459,625 S * 7/2002 Zebbedies D6/552
- D463,940 S * 10/2002 Uhl D6/552

FIG. 2 is a front elevation view thereof;

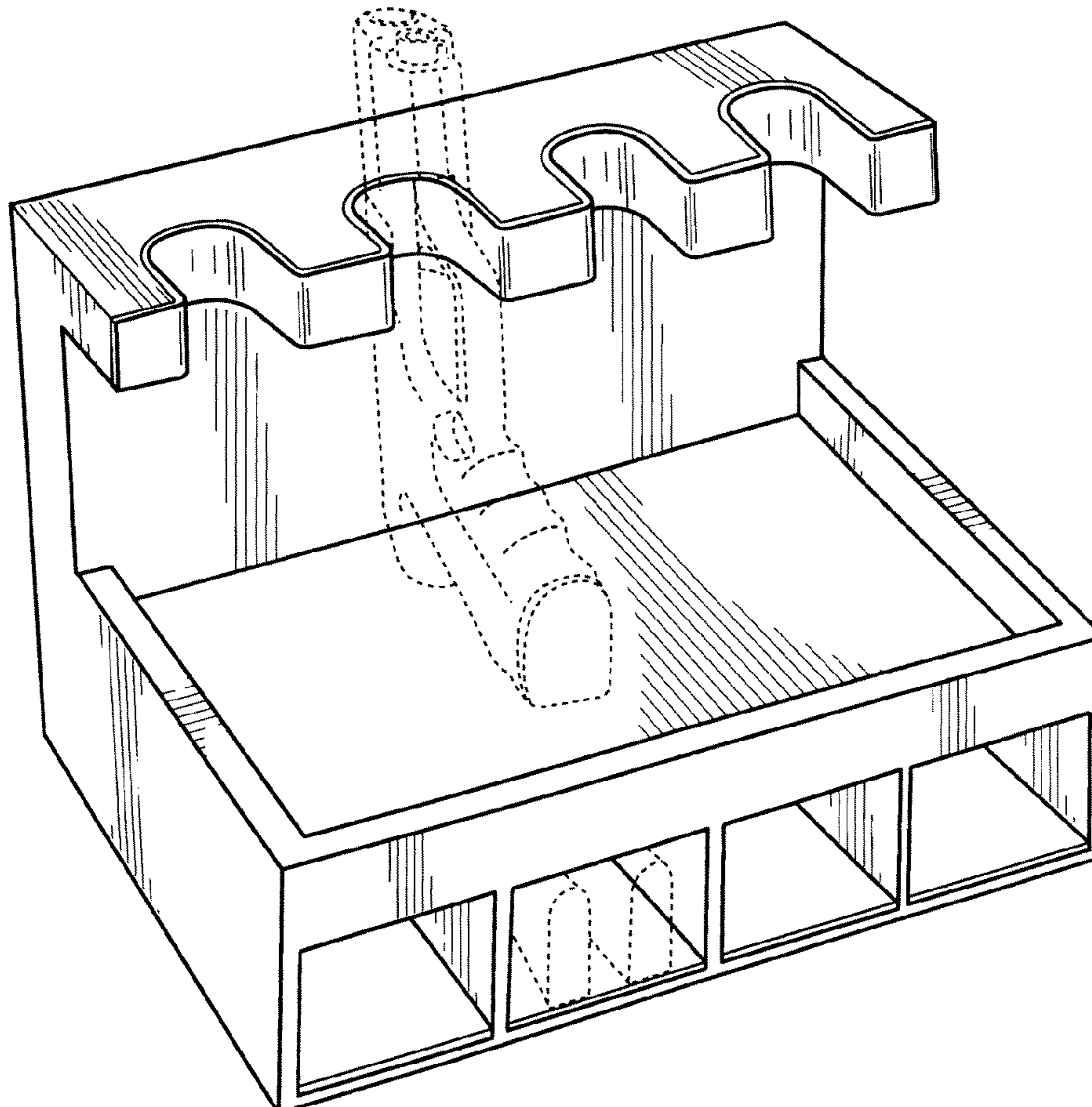
FIG. 3 is a top plan view thereof;

FIG. 4 is a left side elevation view thereof;

FIG. 5 is a right side elevation view thereof; and,

FIG. 6 is a right perspective view thereof.

1 Claim, 6 Drawing Sheets



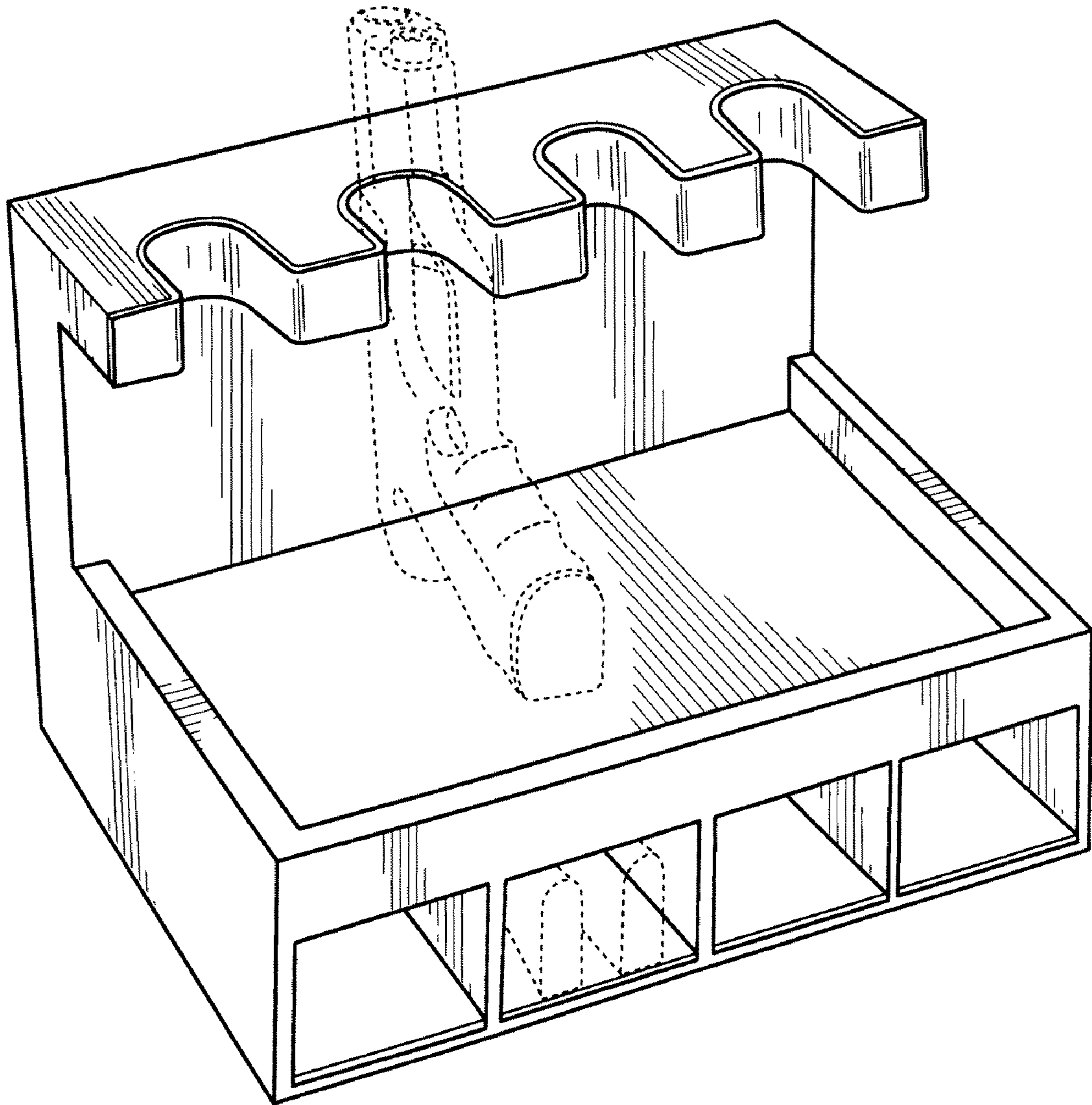


FIG. 1

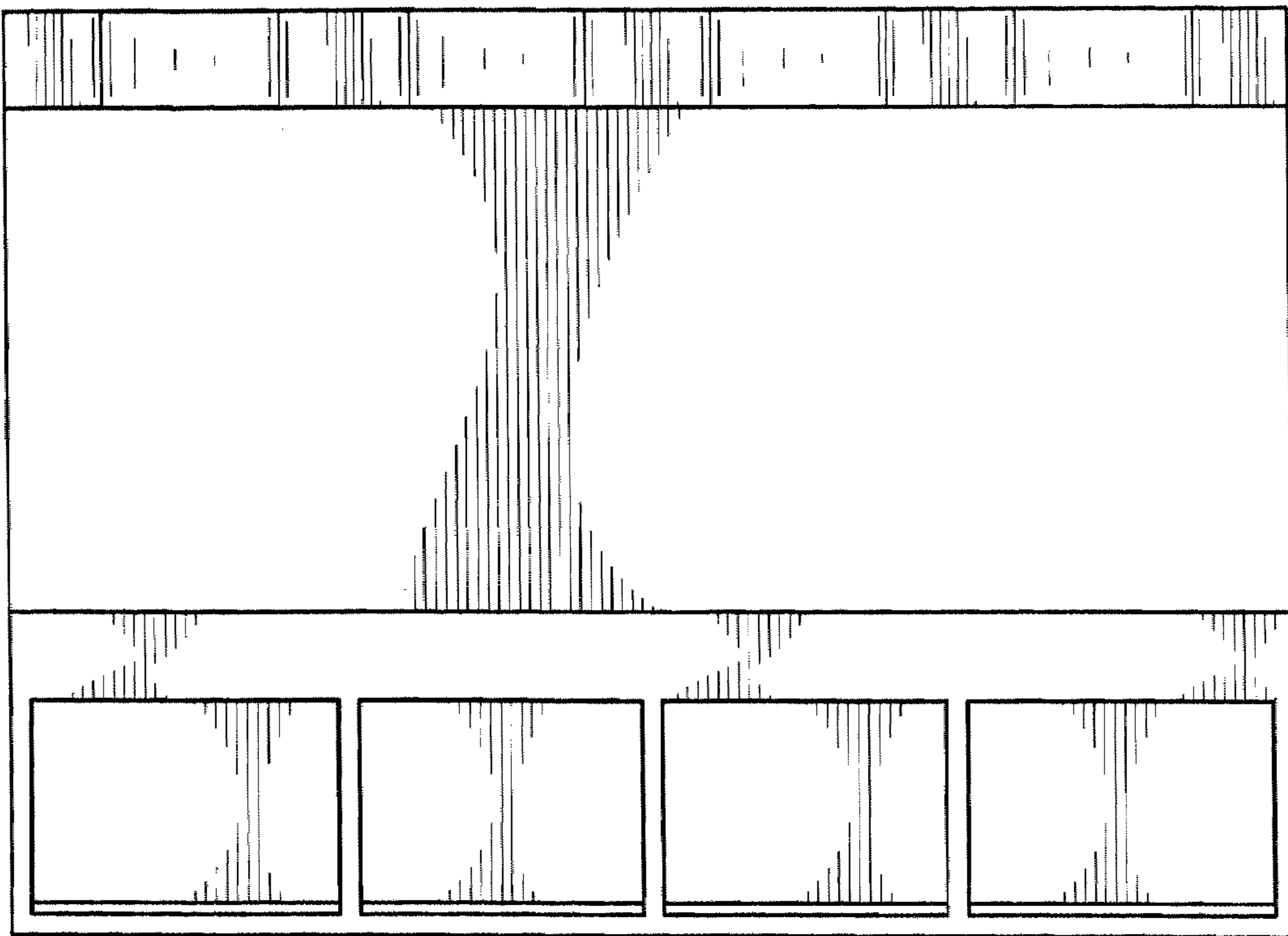


FIG. 2

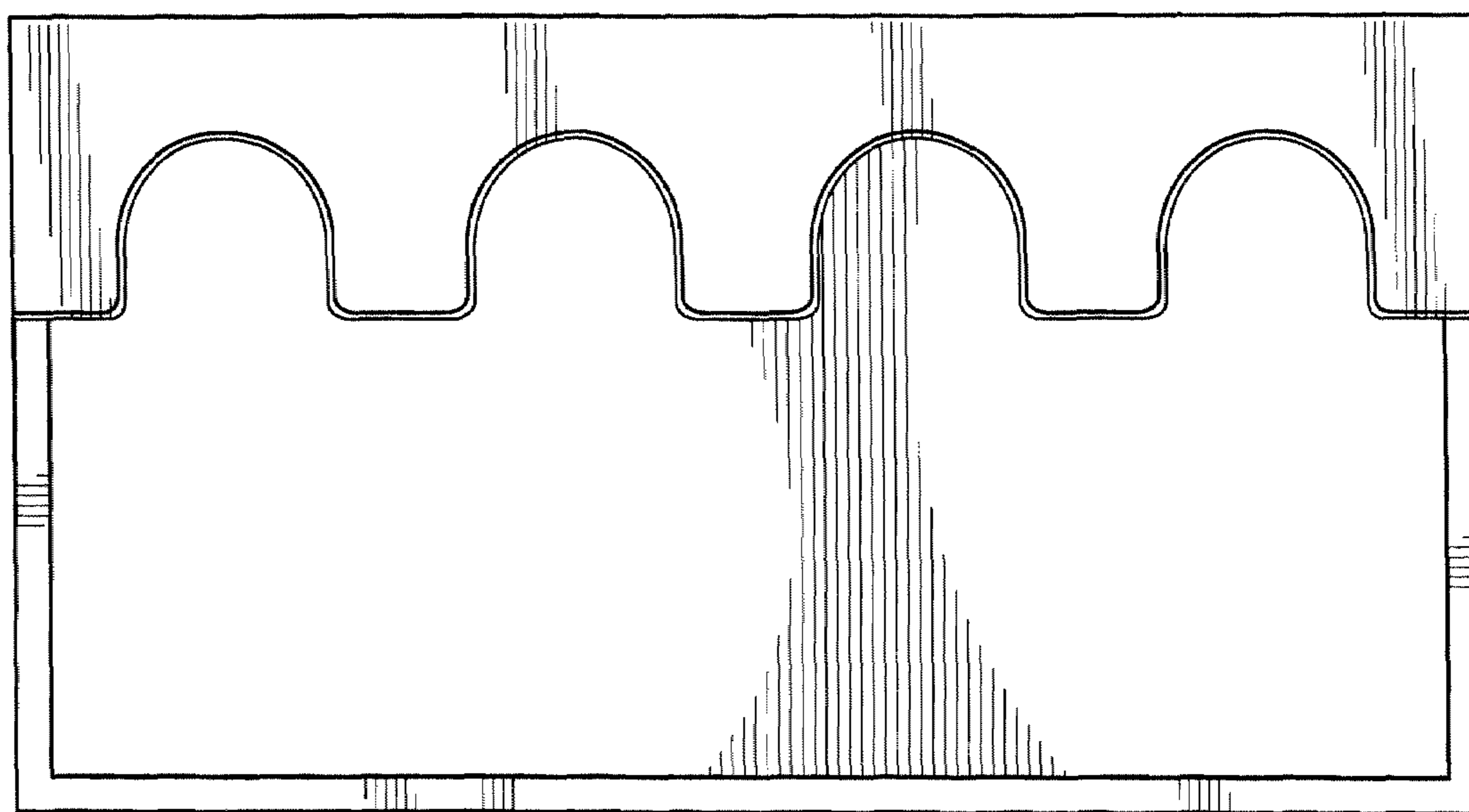


FIG. 3

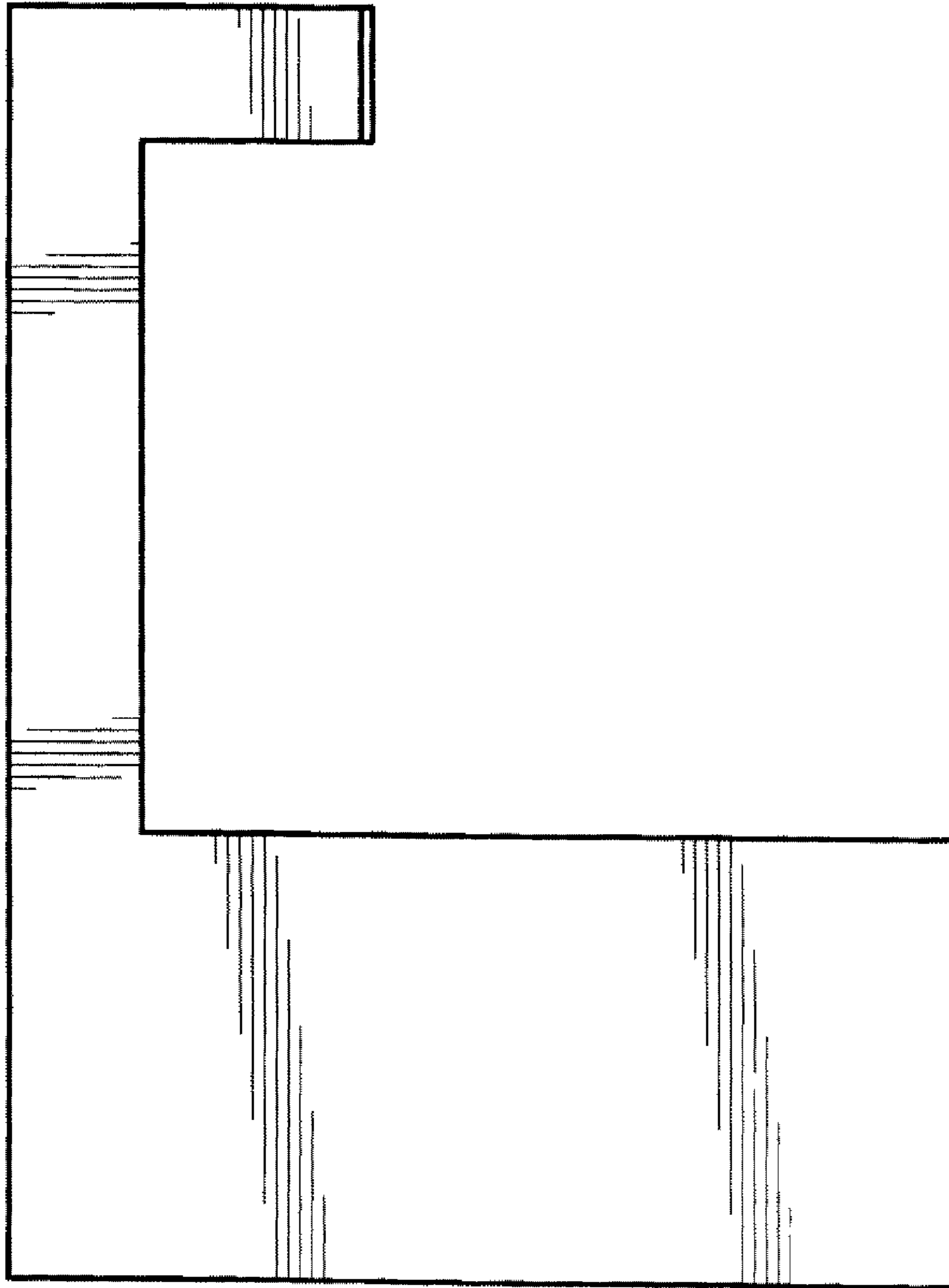


FIG. 4

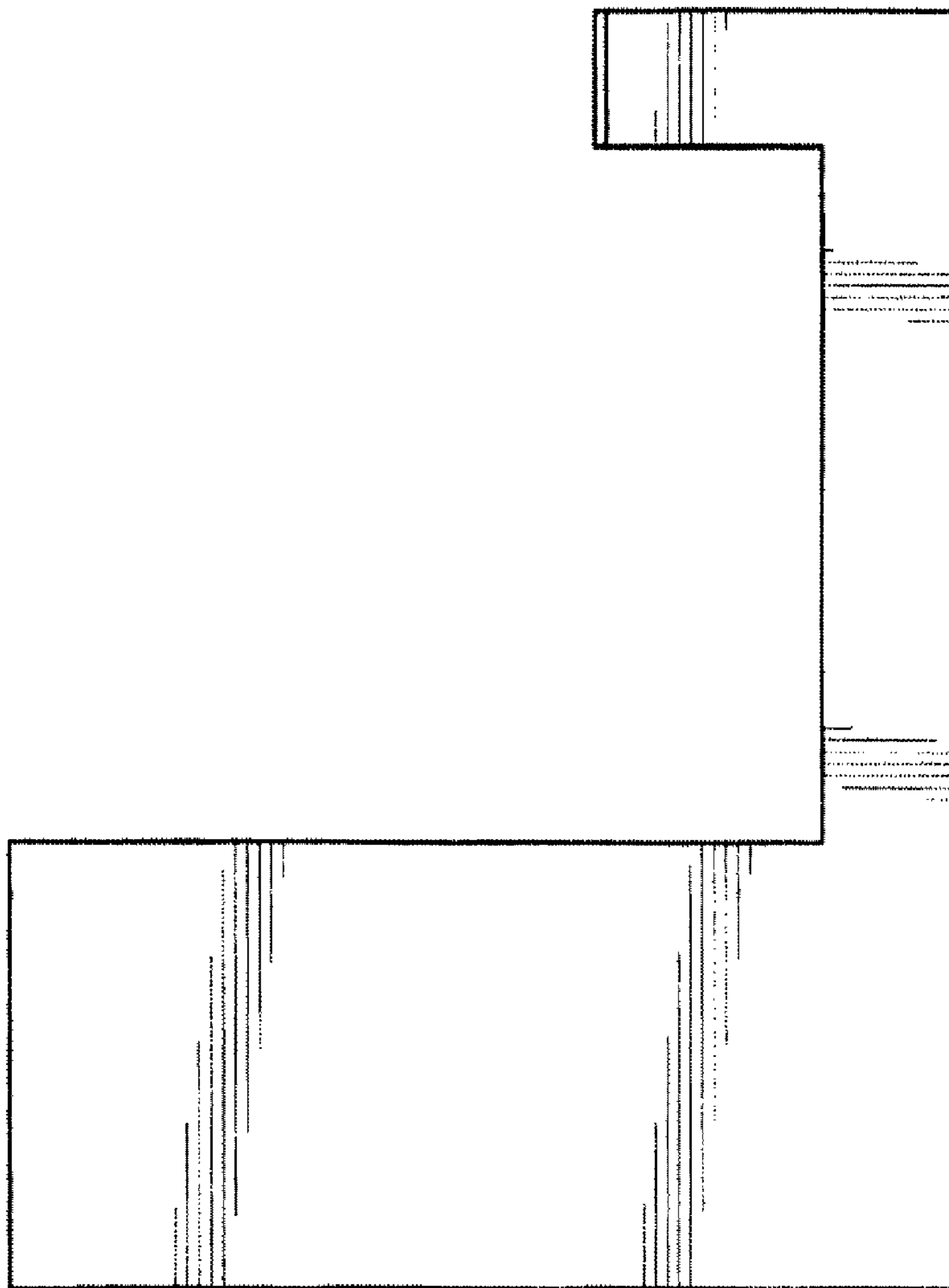


FIG. 5

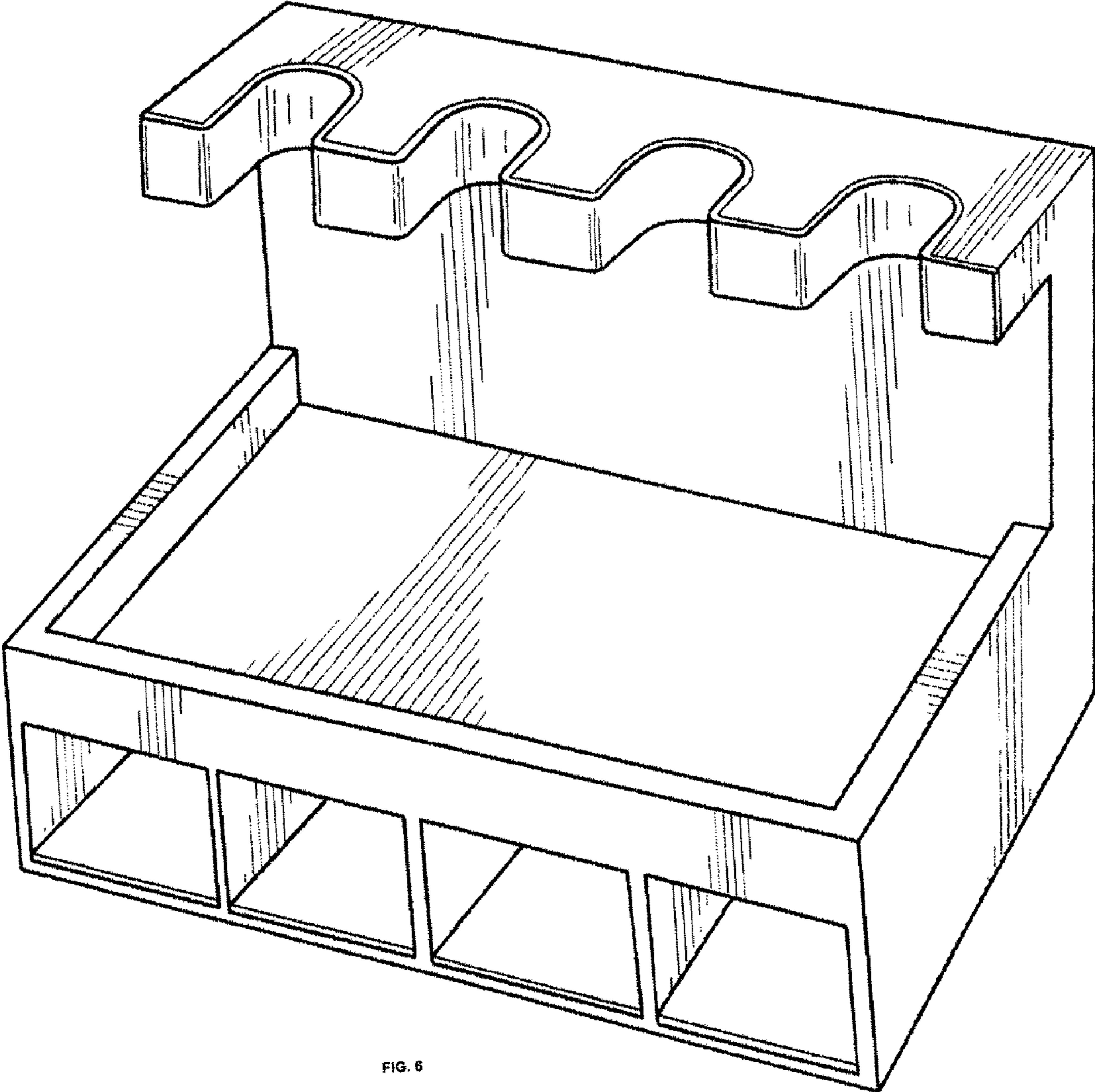


FIG. 6