



US00D587048S

(12) **United States Design Patent**
Hand

(10) **Patent No.:** **US D587,048 S**
(45) **Date of Patent:** **** Feb. 24, 2009**

- (54) **TOOL CABINET**
- (75) Inventor: **Jim Hand**, Glen Ellyn, IL (US)
- (73) Assignee: **Waterloo Industries, Inc.**, Oak Creek, WI (US)
- (**) Term: **14 Years**
- (21) Appl. No.: **29/305,910**
- (22) Filed: **Mar. 31, 2008**
- (51) **LOC (9) Cl.** **06-06**
- (52) **U.S. Cl.** **D6/510**
- (58) **Field of Classification Search** D3/260, D3/272-273, 276, 283, 297, 318, 312-322, D3/905; D6/396-397, 432, 437-441, 445, D6/491, 509-510; 312/308, 351, 902; 206/349, 206/372-373, 376-379
See application file for complete search history.

- D420,541 S * 2/2000 Zaidman D6/510
- D423,818 S 5/2000 Holcomb et al.
- D427,807 S 7/2000 Holcomb et al.
- 6,109,709 A 8/2000 Holcomb et al.
- D430,426 S 9/2000 Bieker et al.
- 6,176,559 B1 1/2001 Tiramani et al.
- D448,168 S 9/2001 Johnston
- D449,181 S 10/2001 Story et al.
- D453,074 S 1/2002 Johnston
- 6,347,847 B1 2/2002 Tiramani et al.
- D455,902 S 4/2002 Wolf
- D457,704 S 5/2002 Fiscus et al.
- D470,687 S 2/2003 Binse et al.
- D505,237 S 5/2005 Schmidt et al.
- D506,090 S 6/2005 Ben-Or
- D514,854 S 2/2006 Schmidt et al.
- D517,805 S 3/2006 Hosking
- D520,264 S 5/2006 Mehmen et al.

(Continued)

Primary Examiner—Philip S Hyder
Assistant Examiner—Roselynn Cody
(74) *Attorney, Agent, or Firm*—Calfee, Halter & Griswold LLP

(56) **References Cited**

U.S. PATENT DOCUMENTS

- D205,522 S 8/1966 Doman
- D218,080 S 7/1970 Sierzega
- 4,120,549 A 10/1978 Bureau
- D327,967 S 7/1992 Hikawa
- D341,253 S 11/1993 Ballman et al.
- D341,737 S * 11/1993 Shepherd D6/509
- 5,332,305 A 7/1994 Slivon et al.
- 5,443,311 A 8/1995 Kadlecek et al.
- D361,910 S 9/1995 Maple et al.
- D370,342 S 6/1996 Gwyther
- D370,572 S 6/1996 Lin
- D372,378 S 8/1996 Kruger
- 5,607,214 A 3/1997 Pierce et al.
- D381,166 S 7/1997 Bonazza
- D385,722 S 11/1997 Yemini
- D386,626 S 11/1997 Yemini
- 5,720,535 A 2/1998 Mehman
- D393,541 S 4/1998 Calmeise
- D394,562 S 5/1998 Di Blasi
- 5,857,757 A 1/1999 Bieker et al.
- D412,626 S 8/1999 Johnson et al.

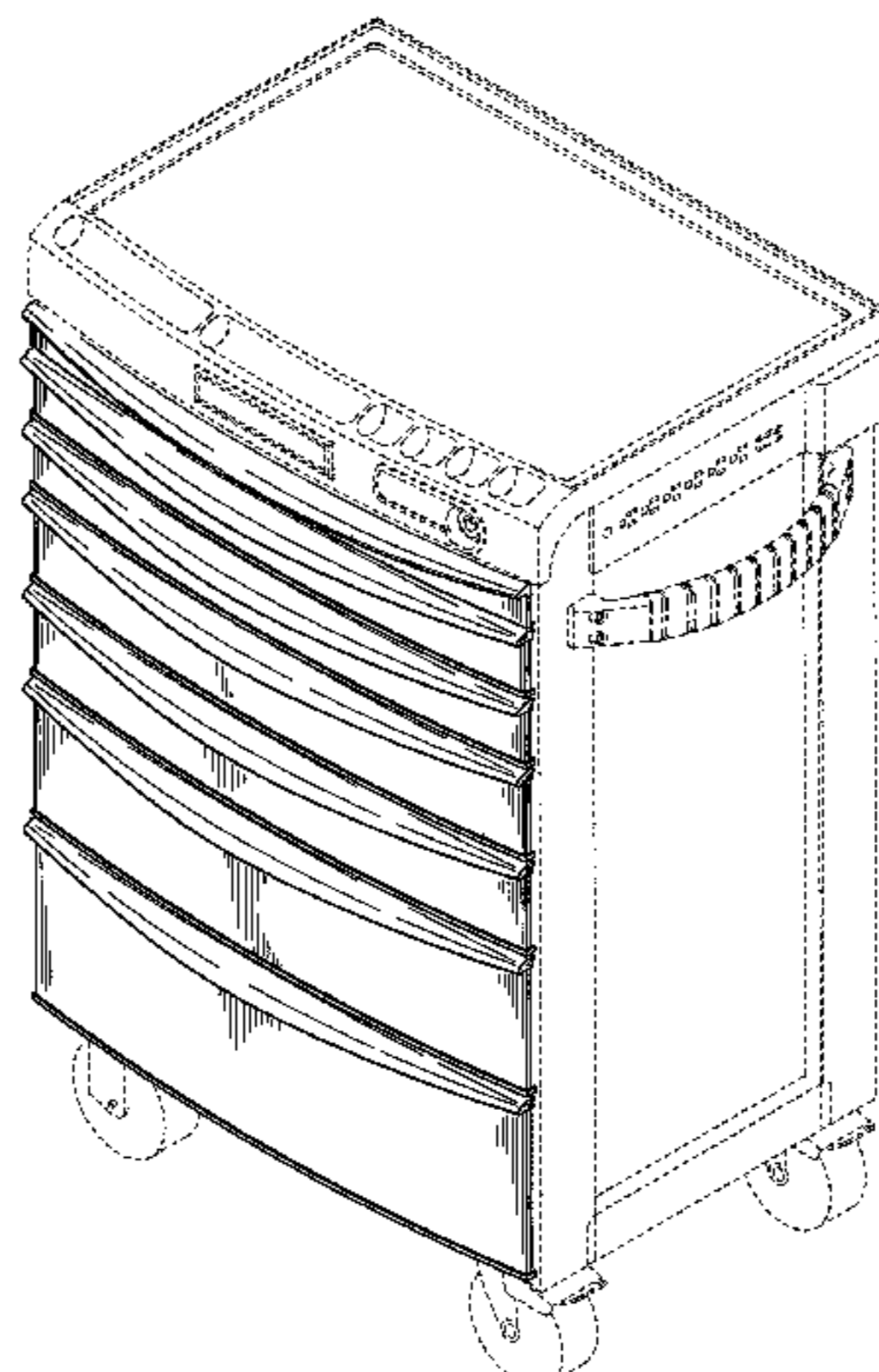
(57) **CLAIM**

I claim the ornamental design for a tool cabinet, as shown and described.

DESCRIPTION

FIG. 1 is a perspective view of a tool cabinet of the new design;
FIG. 2 is a front elevation view of the tool cabinet of FIG. 1;
FIG. 3 is a rear view of the tool cabinet of FIG. 1;
FIG. 4 is a left side view of the tool cabinet of FIG. 1;
FIG. 5 is a right side view of the tool cabinet of FIG. 1;
FIG. 6 is a top view of the tool cabinet of FIG. 1; and,
FIG. 7 is a bottom view of the tool cabinet of FIG. 1.
The phantom lines in the drawings are illustrative of environment and form no part of the claimed design.

1 Claim, 6 Drawing Sheets



US D587,048 S

Page 2

U.S. PATENT DOCUMENTS					
D520,784 S	5/2006	Schmidt et al.	D563,120 S *	3/2008	Malley et al. D6/445
D526,782 S	8/2006	Hosking	D566,396 S *	4/2008	Hand D3/297
D547,160 S	7/2007	Hand	D568,078 S *	5/2008	Kohagen et al. D6/510
D554,370 S	11/2007	Hand	D568,608 S *	5/2008	Hand D3/297
D554,864 S	11/2007	Hand	D573,792 S *	7/2008	Hand D3/297
D560,079 S	1/2008	Mehmen	2002/0030425 A1	3/2002	Tiramani et al.
D563,103 S	3/2008	Hand	2002/0074905 A1	6/2002	Tiramani et al.
D563,119 S *	3/2008	Malley et al. D6/445	2007/0295627 A1*	12/2007	Hsieh 206/372

* cited by examiner

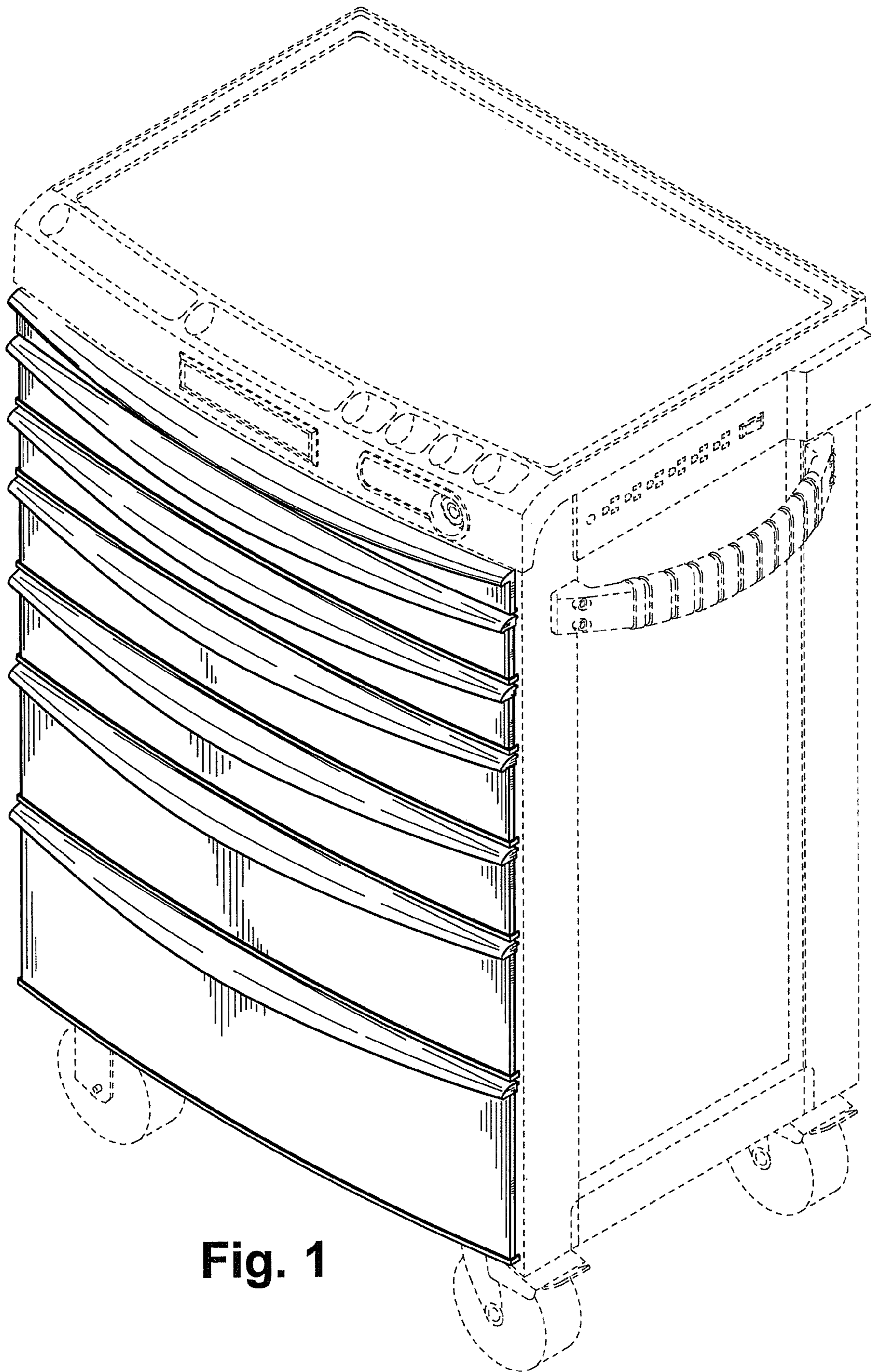


Fig. 1

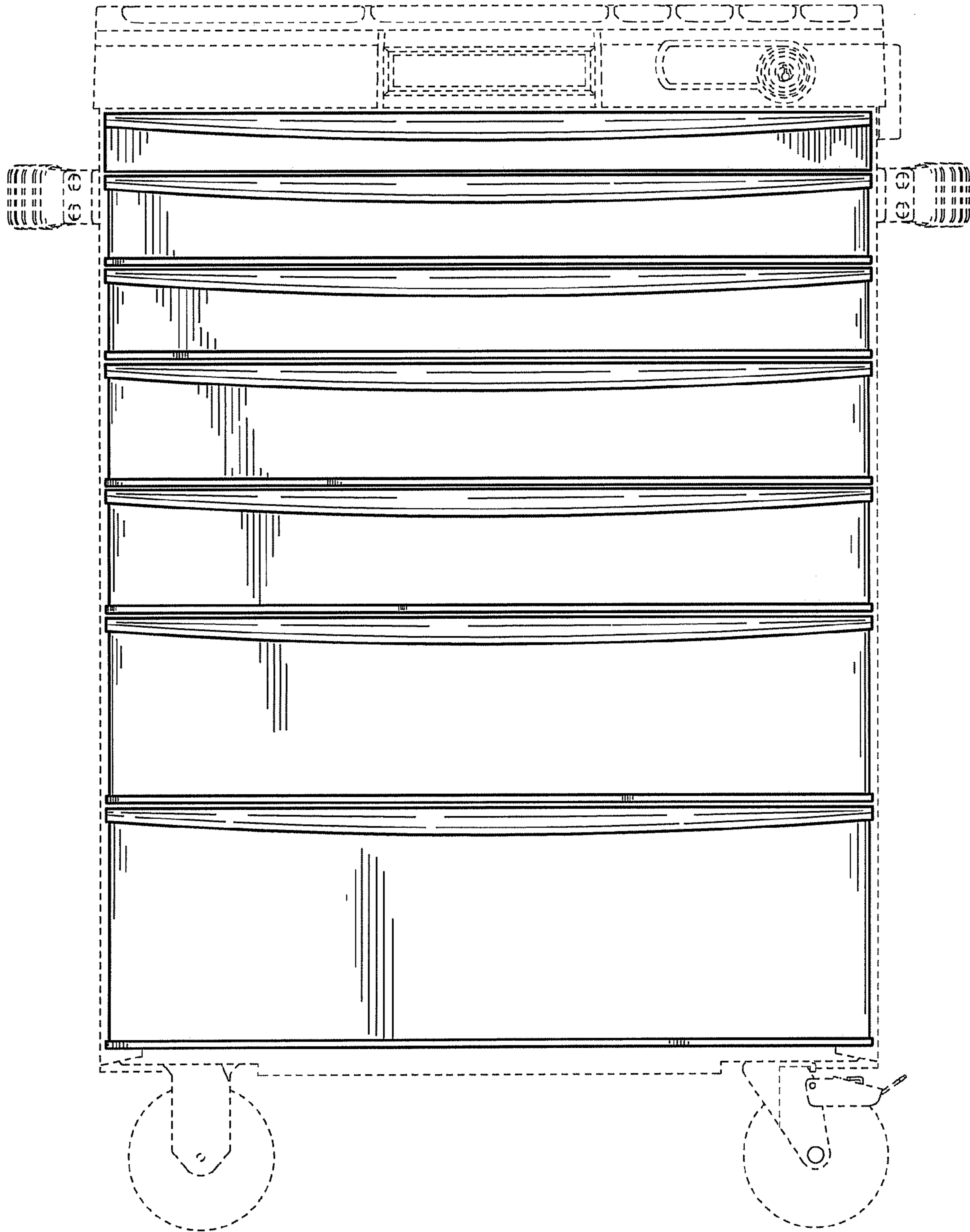


Fig. 2

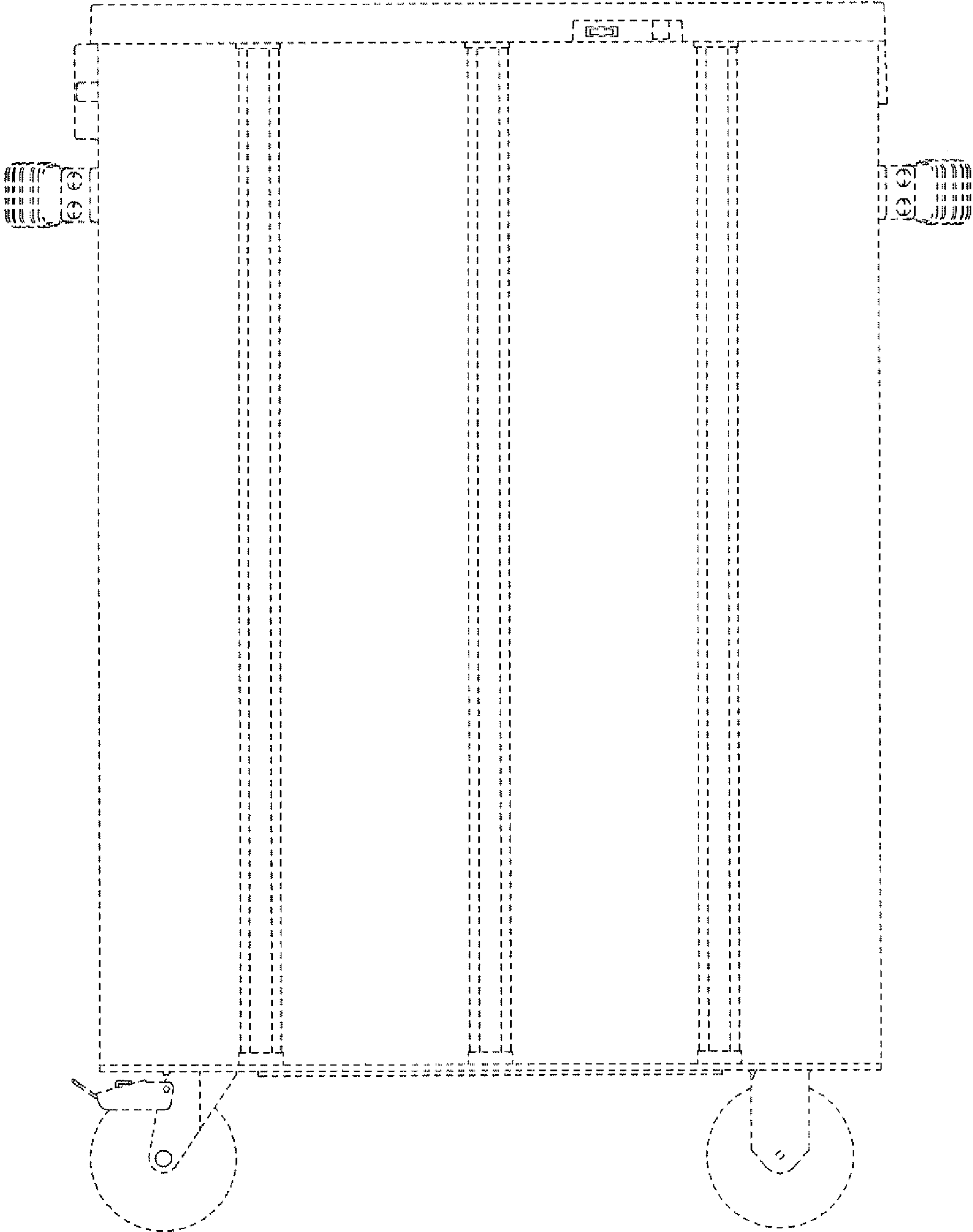


Fig. 3

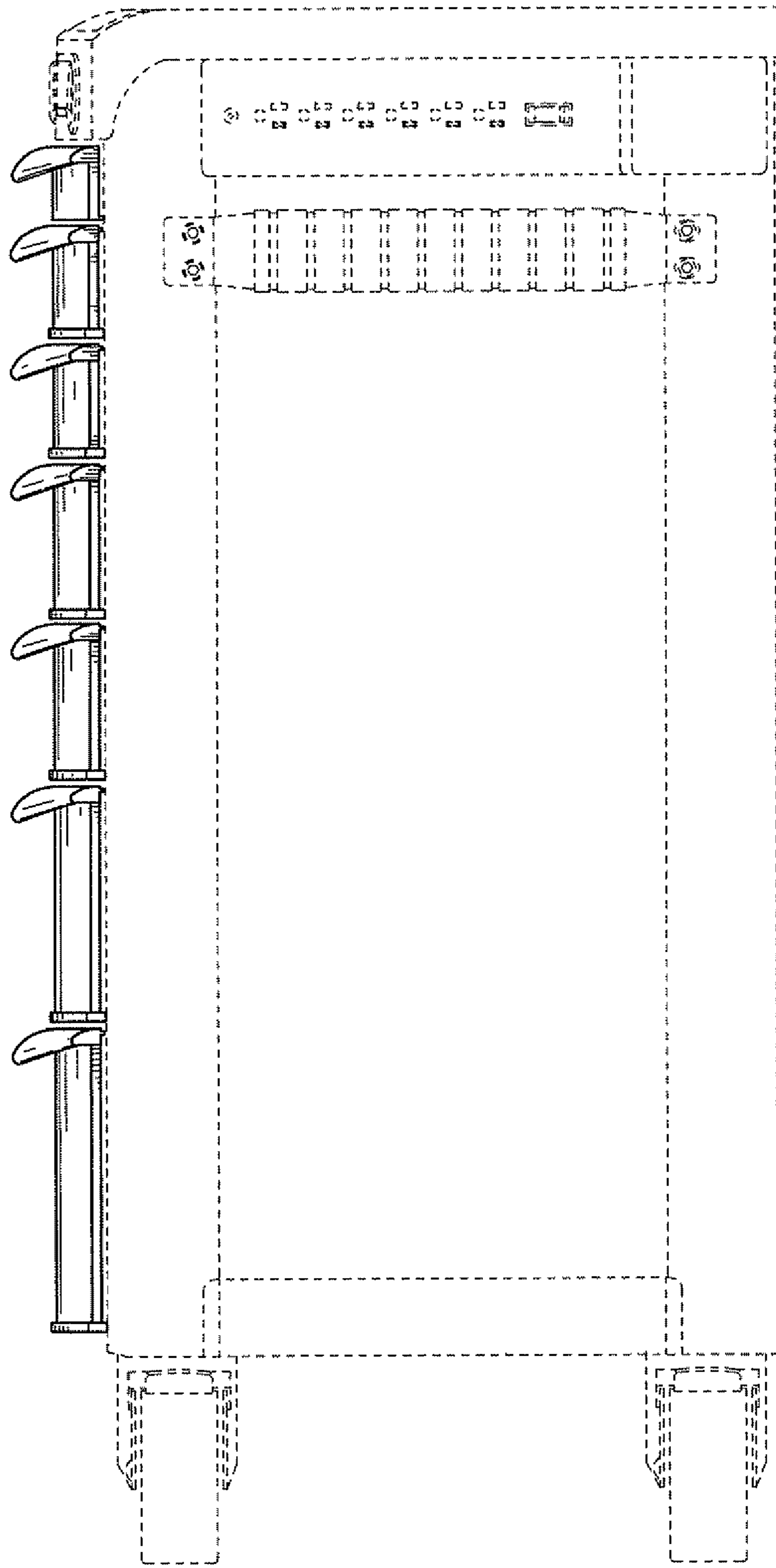


Fig. 4

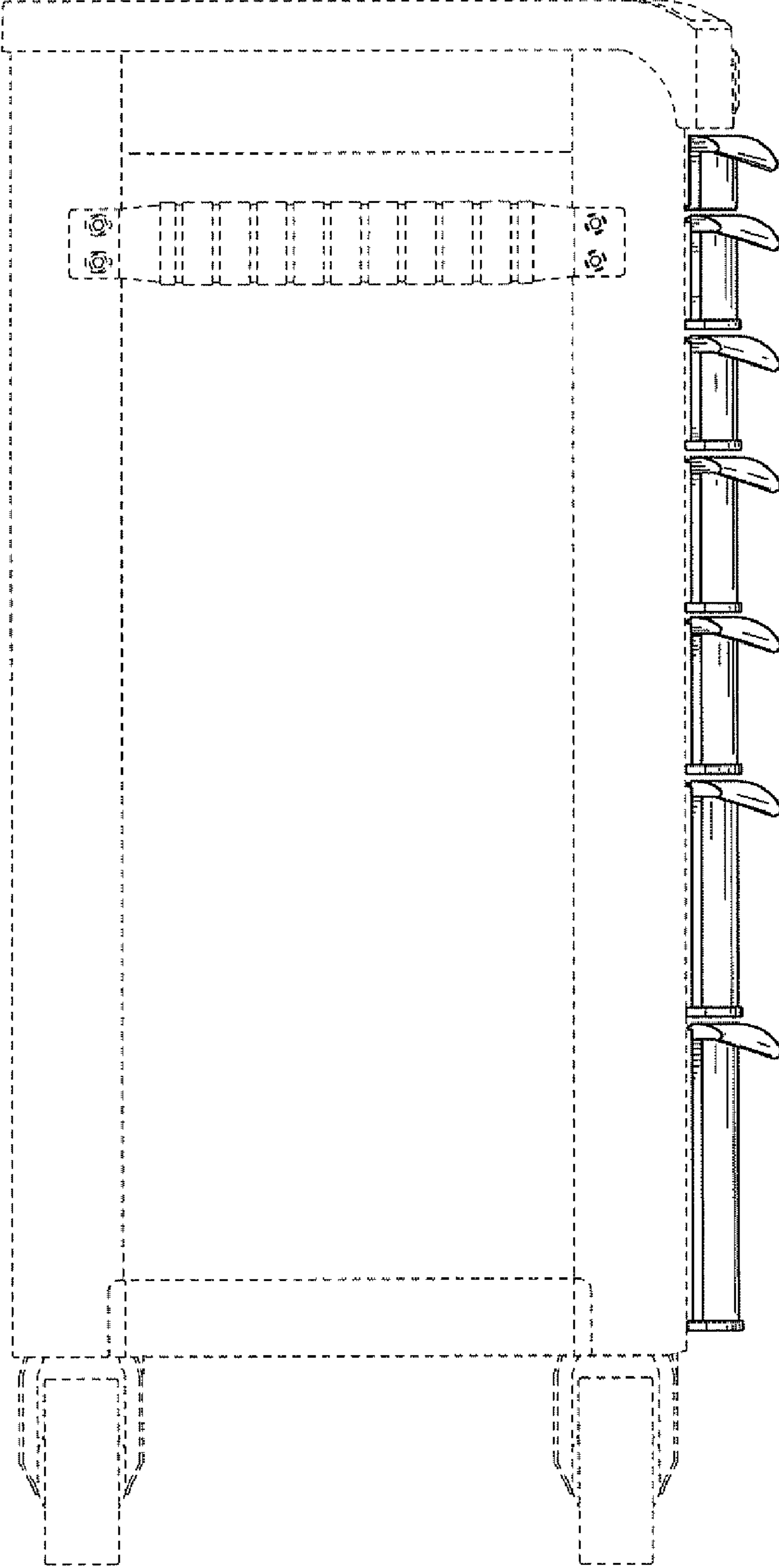


Fig. 5

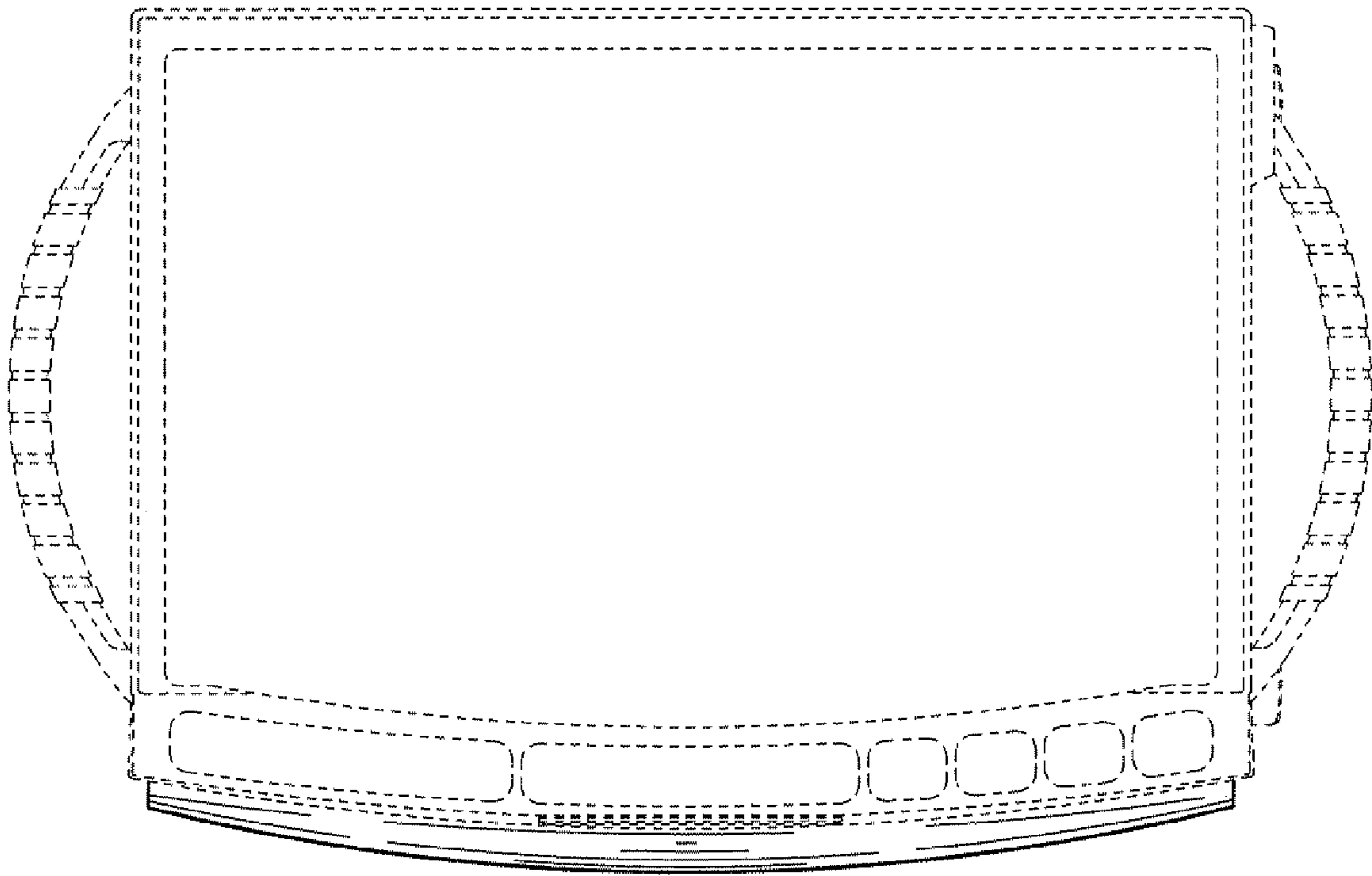


Fig. 6

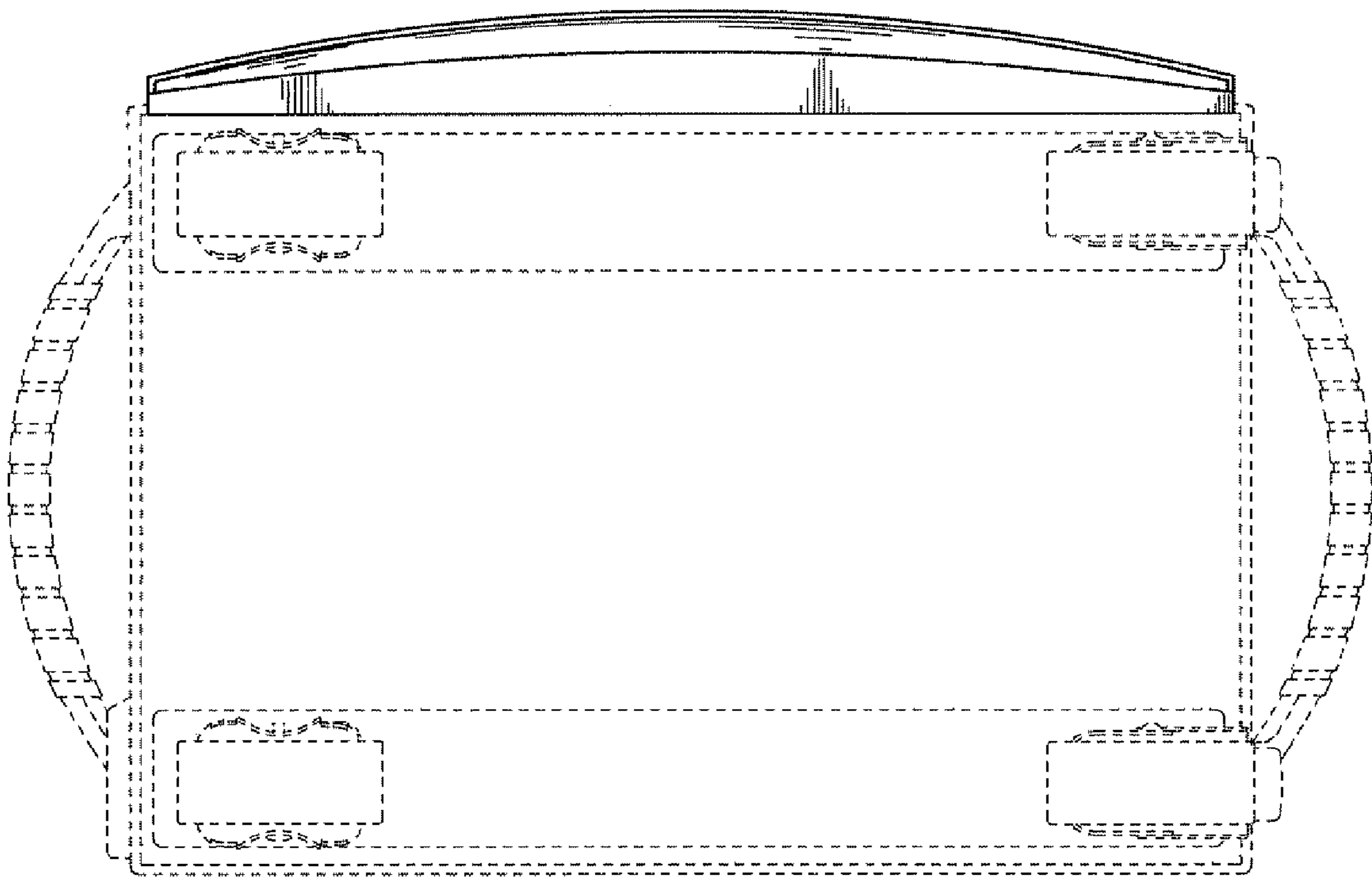


Fig. 7