



US00D587042S

(12) **United States Design Patent**
Cramer

(10) **Patent No.:** **US D587,042 S**
(45) **Date of Patent:** **** Feb. 24, 2009**

(54) **EQUIPMENT CABINET**

(75) Inventor: **E. Daniel Cramer**, Minneapolis, MN
(US)

(73) Assignee: **Milestone AV Technologies LLC**,
Savage, MN (US)

(**) Term: **14 Years**

(21) Appl. No.: **29/303,974**

(22) Filed: **Feb. 21, 2008**

(51) **LOC (9) Cl.** **06-04**

(52) **U.S. Cl.** **D6/470**

(58) **Field of Classification Search** D6/432,
D6/436-448, 460, 461, 630, 631, 470-472,
D6/374, 477-479; 312/7.2, 9.1, 9.3, 102,
312/107, 117, 114, 119, 122, 138.1, 204;
108/59, 91, 92

See application file for complete search history.

(56) **References Cited**

U.S. PATENT DOCUMENTS

D42,461 S *	5/1912	Harden, Jr.	D6/470
D265,991 S	8/1982	Trussler		
D288,751 S	3/1987	Fuss		
D288,752 S	3/1987	Fuss		
D288,753 S	3/1987	Fuss		
D288,754 S	3/1987	Fuss et al.		
4,707,764 A	11/1987	Cogan		
D300,344 S	3/1989	Boulette, III et al.		
D305,186 S *	12/1989	Bush et al.	D6/436
5,158,344 A	10/1992	Thurston		
5,219,443 A	6/1993	Stoerk		
5,402,323 A	3/1995	Schwenk		
D373,692 S *	9/1996	Staeger	D6/470
D425,031 S	5/2000	Rooyakkers		
D445,600 S *	7/2001	Wu	D6/470
D466,333 S *	12/2002	Hwang	D6/441
6,712,434 B2	3/2004	Knab		

D499,582 S *	12/2004	McDiarmid	D6/470
D515,849 S *	2/2006	Niu	D6/479
7,277,273 B2	10/2007	Smith		
D562,597 S *	2/2008	Weatherly	D6/479
2002/0172012 A1	11/2002	Chandler		
2007/0278915 A1	6/2007	Conrardy		
2008/0037228 A1	2/2008	Lewis		
2007/0144704 A1	6/2008	Bundza		

OTHER PUBLICATIONS

U.S. Appl. No. 29/303,975, filed Feb. 21, 2008, Cramer.

* cited by examiner

Primary Examiner—Mimosa De

(74) *Attorney, Agent, or Firm*—Patterson, Thuente, Skaar & Christensen PA

(57) **CLAIM**

The ornamental design for an equipment cabinet, as shown and described.

DESCRIPTION

FIG. 1 is a front perspective view of an equipment cabinet according to the invention;

FIG. 2 is a front elevation view of the equipment cabinet depicted in FIG. 1;

FIG. 3 is a side elevation view of the equipment cabinet depicted in FIG. 1;

FIG. 4 is a rear elevation view of the equipment cabinet depicted in FIG. 1;

FIG. 5 is top plan view of the equipment cabinet depicted in FIG. 1; and,

FIG. 6 is a bottom plan view of the equipment cabinet depicted in FIG. 1.

Although not depicted, the opposing side elevation view is a mirror image of the view of FIG. 3.

1 Claim, 6 Drawing Sheets

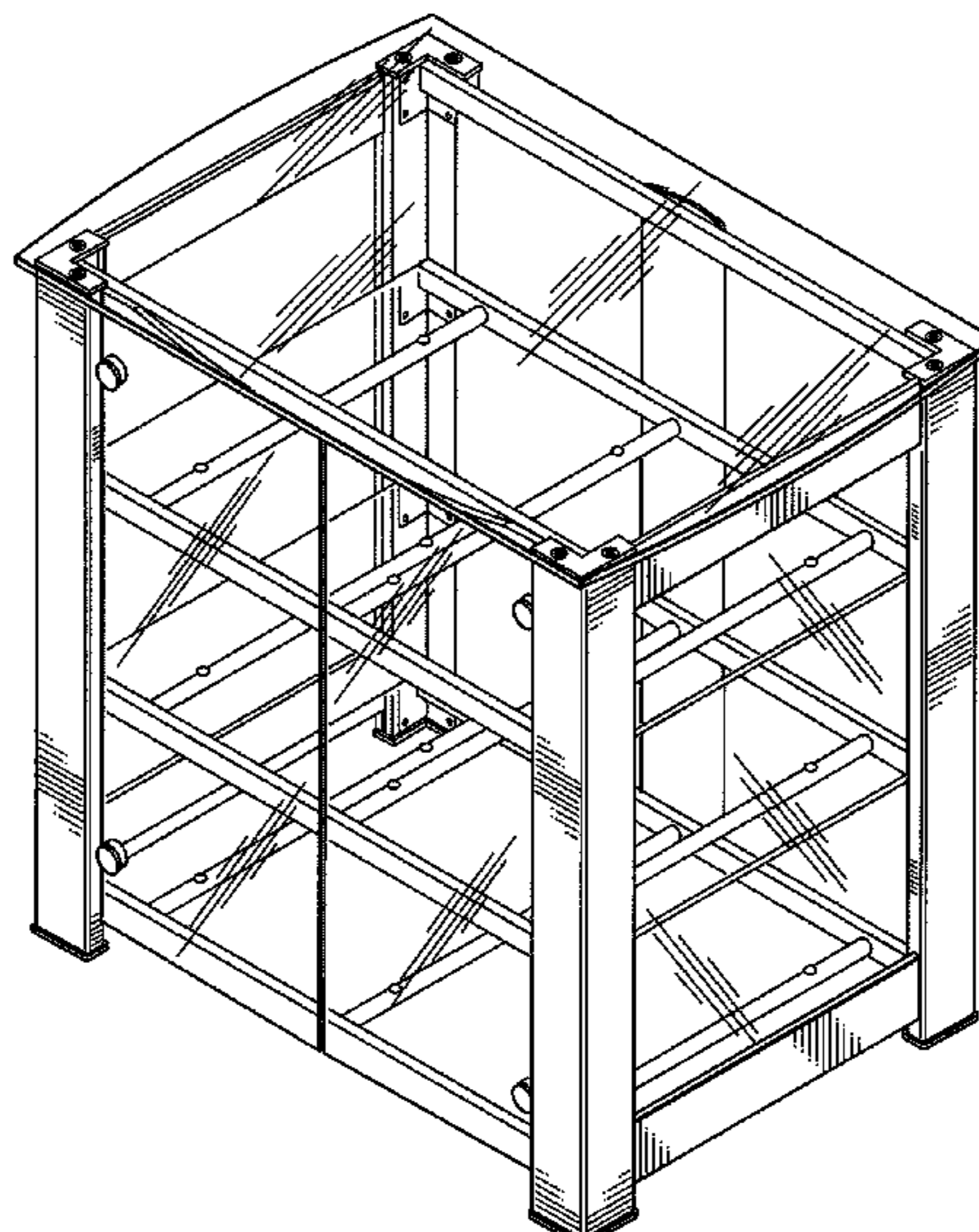


Fig. 1

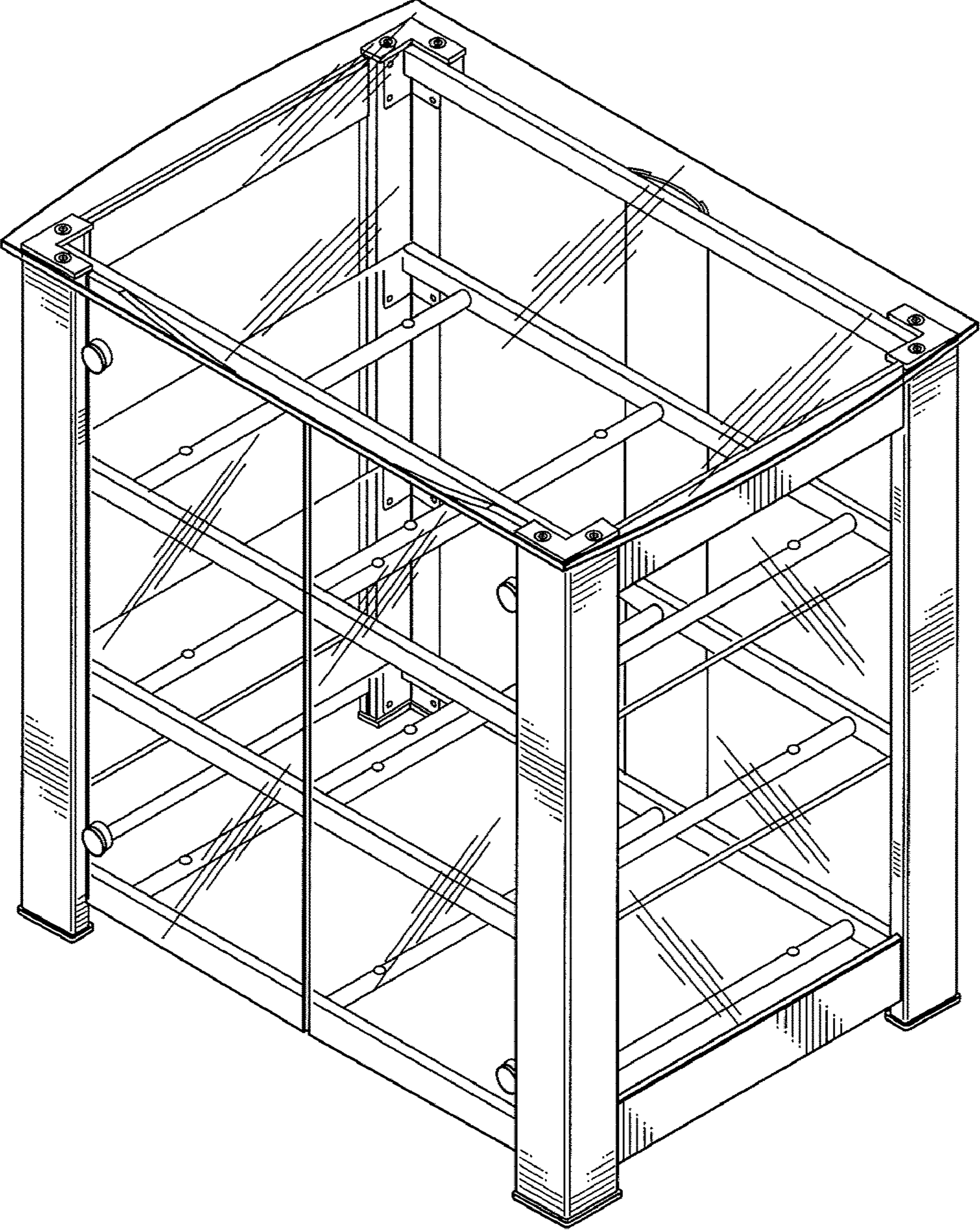


Fig. 2

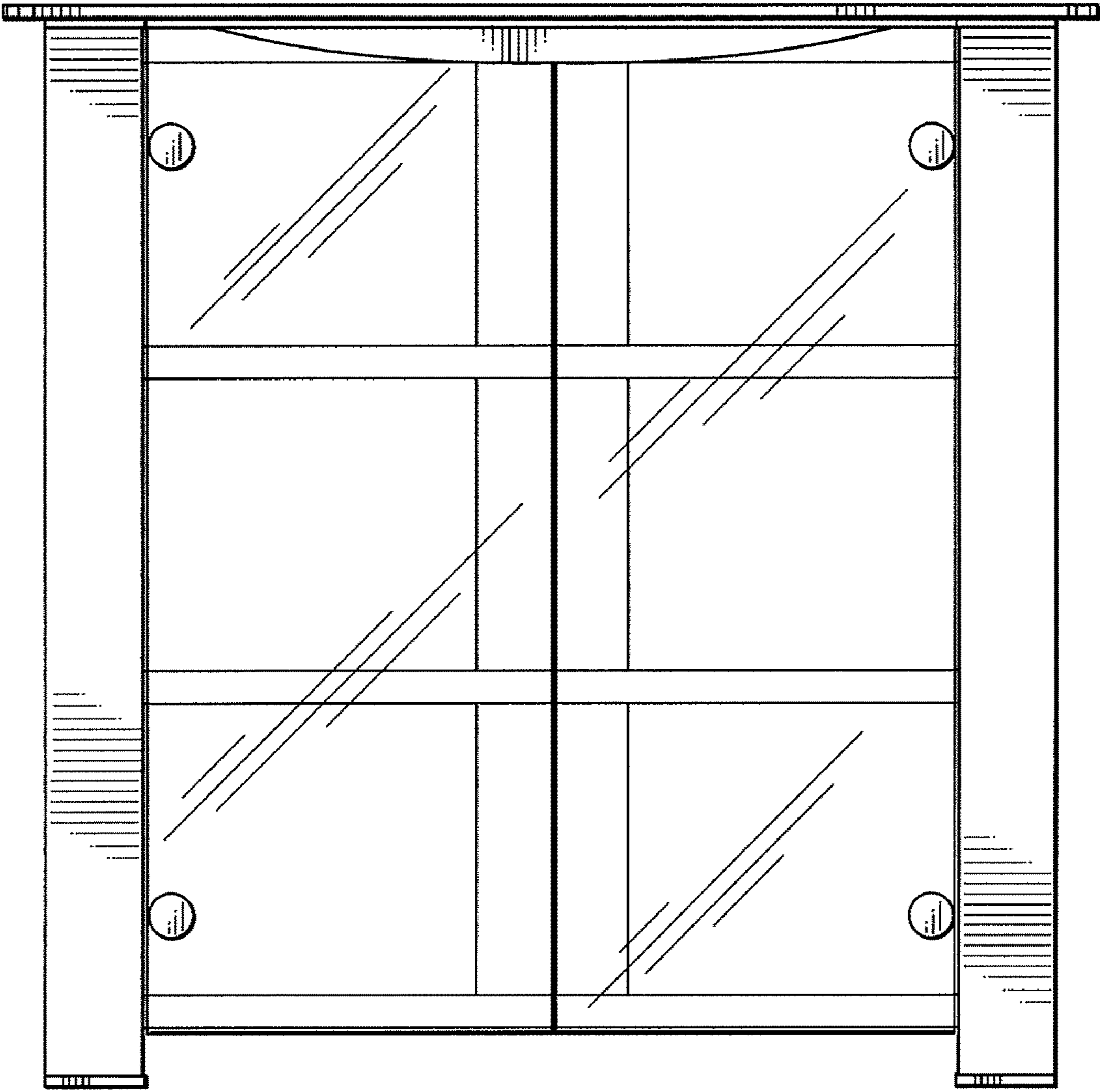


Fig. 3

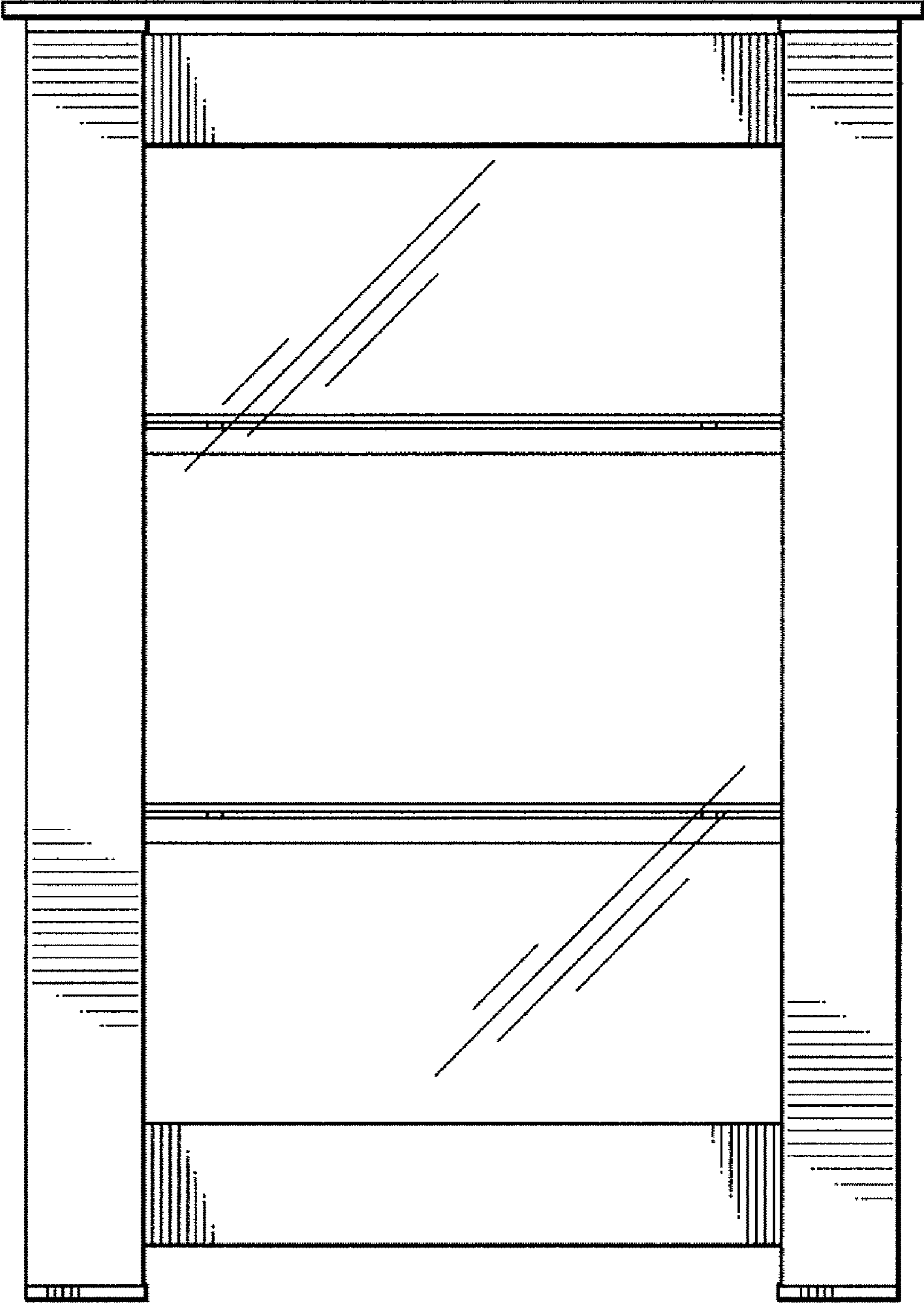


Fig. 4

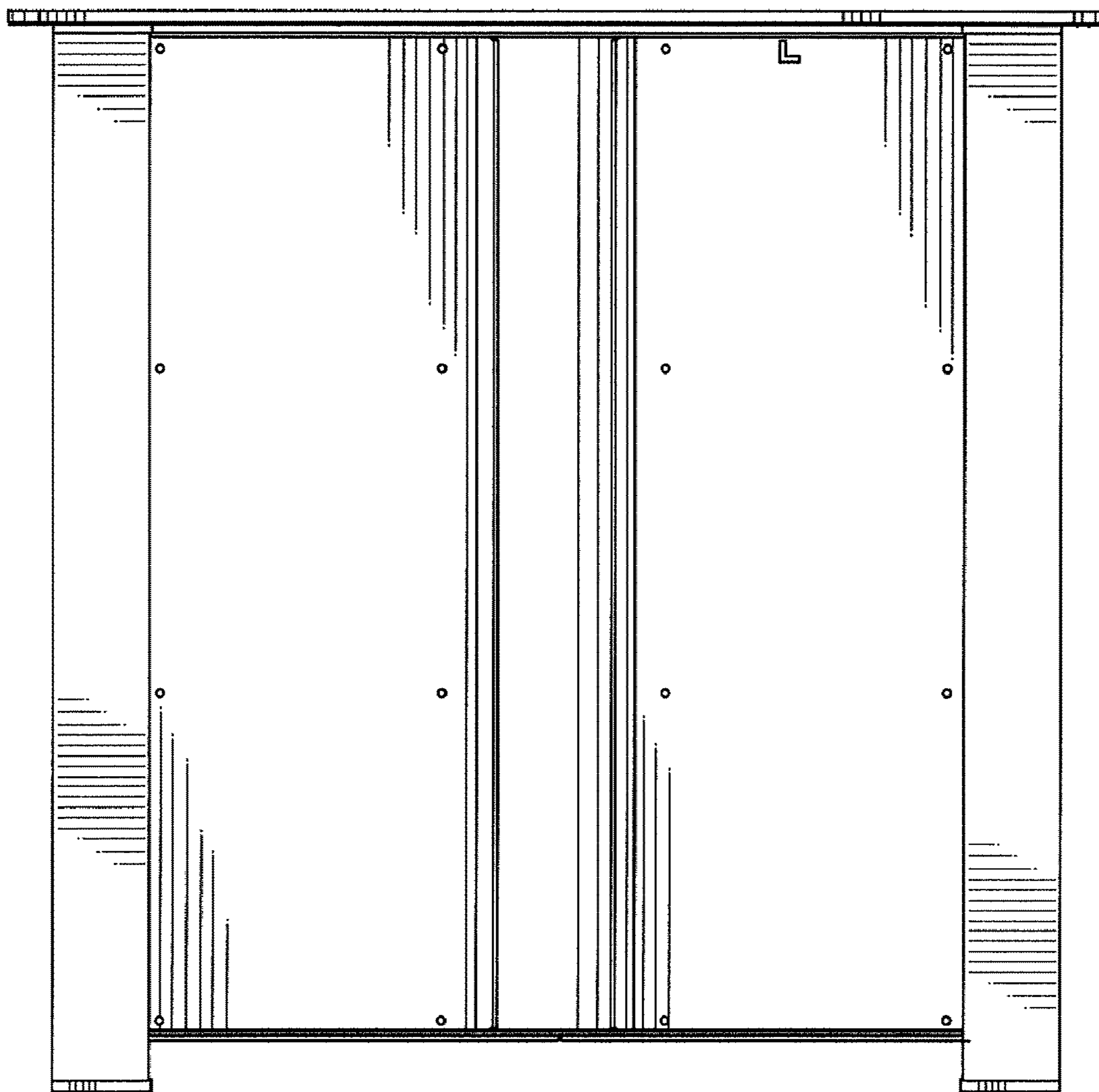


Fig. 5

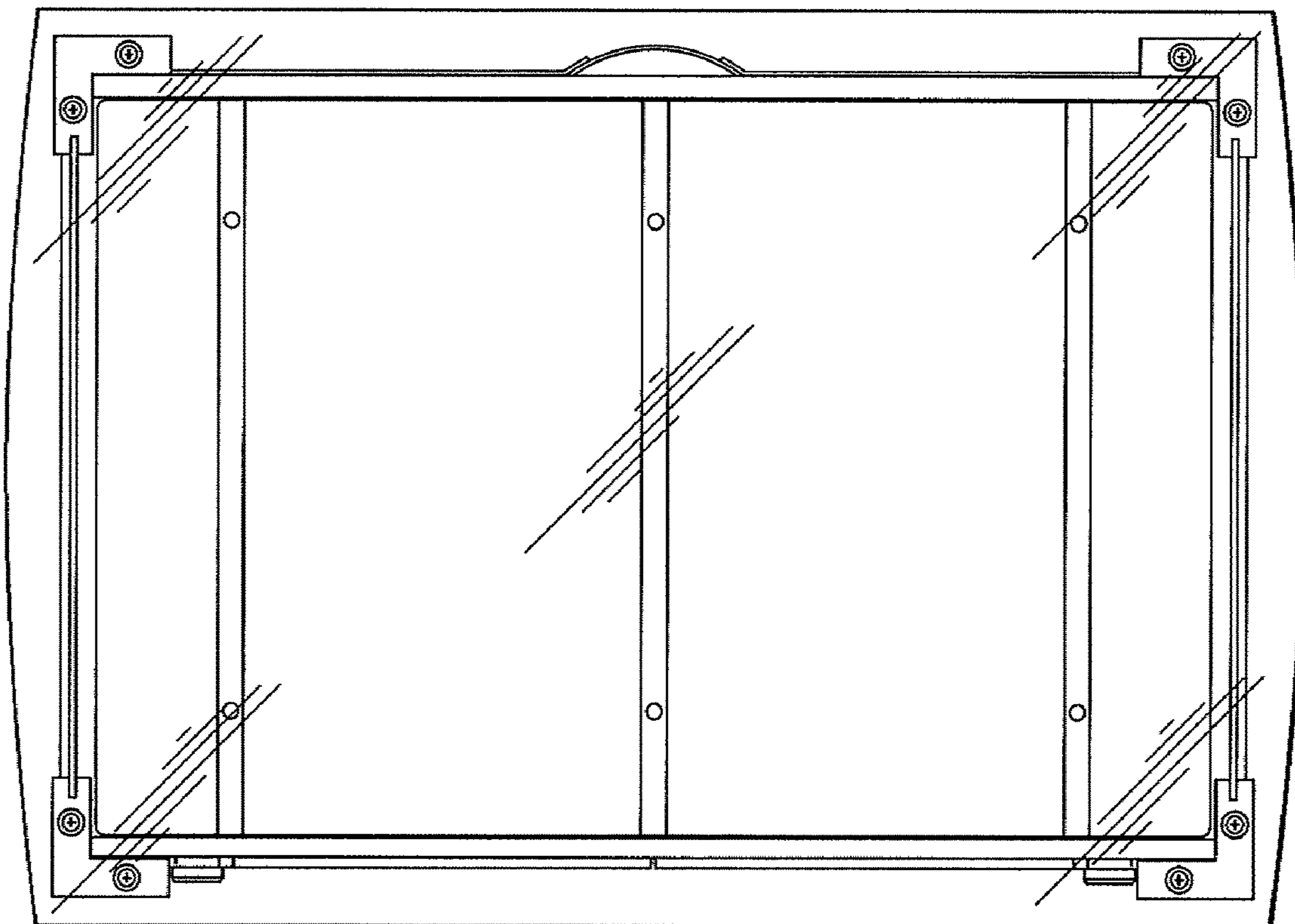


Fig. 6

