



US00D587040S

(12) **United States Design Patent**
Goodman et al.

(10) **Patent No.:** **US D587,040 S**

(45) **Date of Patent:** **** Feb. 24, 2009**

(54) **TIERED SHELF ORGANIZER**

D555,943 S * 11/2007 Butler et al. D6/491
D572,940 S * 7/2008 Murray D6/462

(75) Inventors: **Sheldon H. Goodman**, Solon, OH (US);
Omer I. Sazir, Cleveland, OH (US)

* cited by examiner

(73) Assignee: **Spectrum Diversified Designs, Inc.**,
Streetsboro, OH (US)

Primary Examiner—Janice E Seeger

Assistant Examiner—Sydney R Buffalow

(74) *Attorney, Agent, or Firm*—Pearne & Gordon LLP

(**) Term: **14 Years**

(57) **CLAIM**

(21) Appl. No.: **29/303,485**

The ornamental design for a tiered shelf organizer, as shown and described.

(22) Filed: **Feb. 11, 2008**

DESCRIPTION

(51) **LOC (9) Cl.** **06-04**

(52) **U.S. Cl.** **D6/464; D19/92**

(58) **Field of Classification Search** D6/461–468,
D6/491, 510, 408, 449, 458; 211/126.8,
211/126.9, 181.1, 133.5, 133.2, 126.14, 134,
211/49.1, 126.1; D19/92, 75, 90, 86
See application file for complete search history.

FIG. 1 is a perspective view of a tiered shelf organizer showing our new design;

FIG. 2 is a front elevational view thereof;

FIG. 3 is a rear elevational view thereof;

FIG. 4 is a side elevational view thereof;

FIG. 5 is a top plan view thereof;

FIG. 6 is a bottom plan view thereof; and,

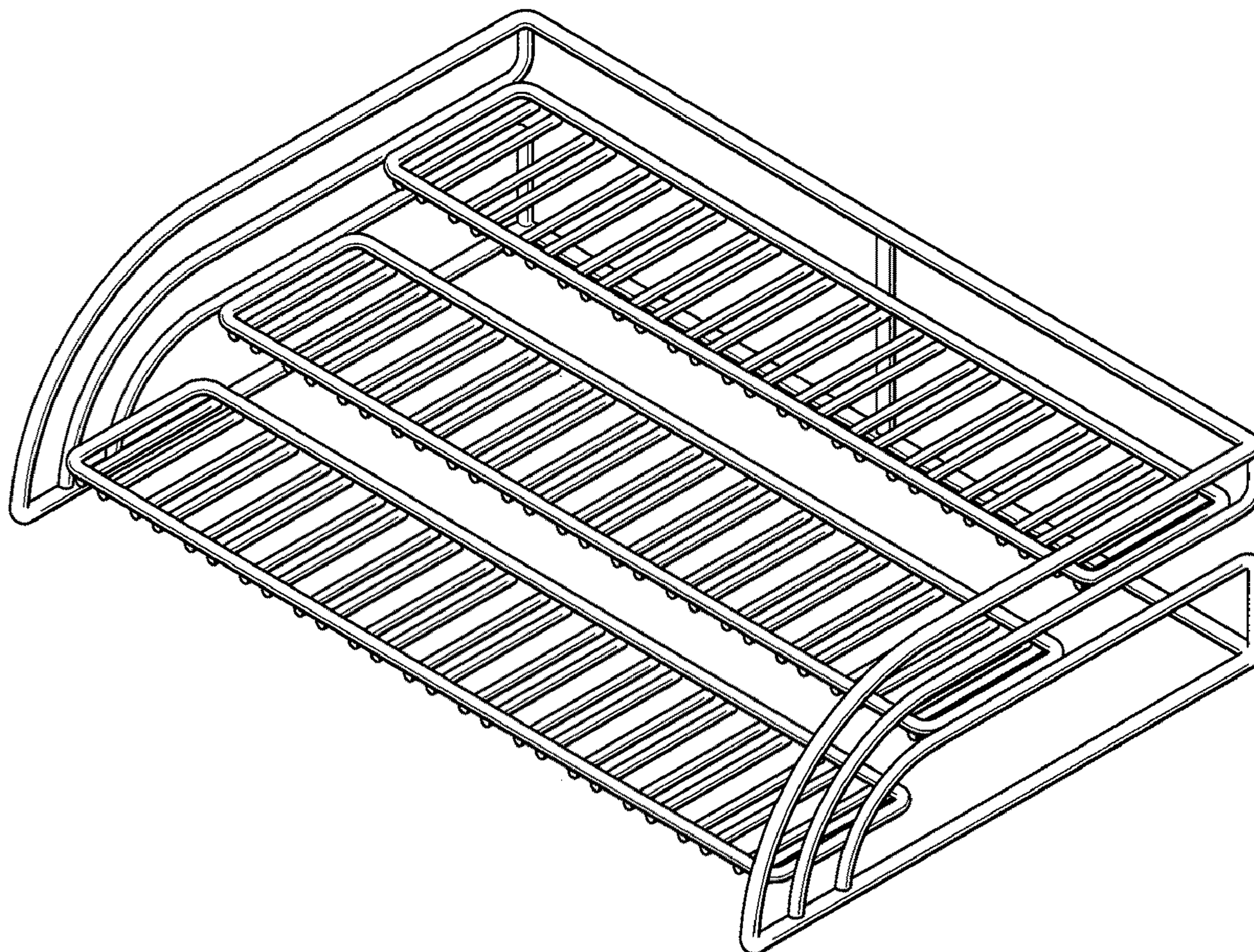
FIG. 7 is a perspective view of an alternate embodiment of a tiered shelf organizer cut away to show indeterminate length.

(56) **References Cited**

U.S. PATENT DOCUMENTS

D203,905 S * 2/1966 Dixon D6/463
D265,325 S * 7/1982 Rich D19/92
D317,094 S * 5/1991 Weinberg et al. D6/463

1 Claim, 3 Drawing Sheets



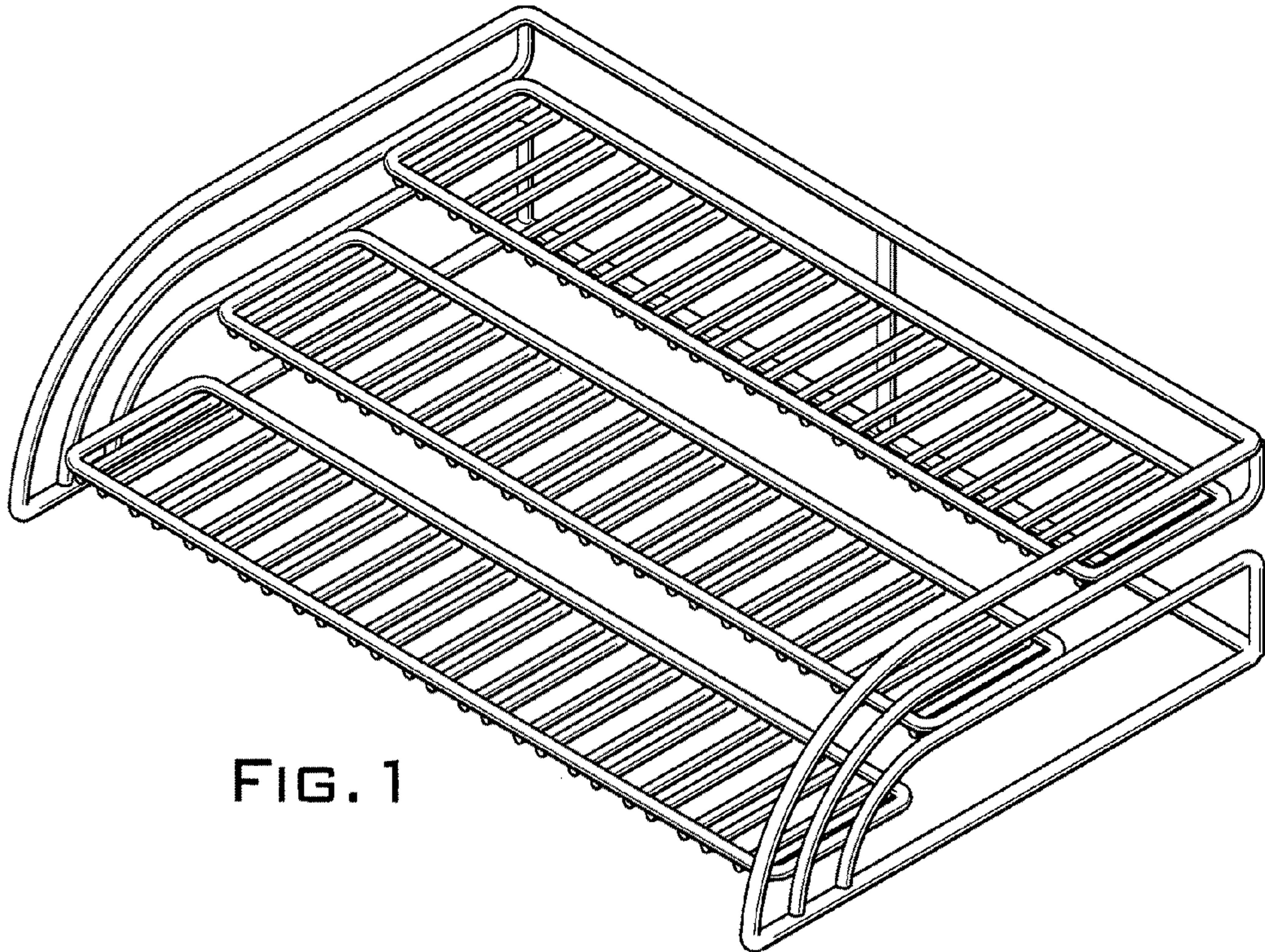


FIG. 1

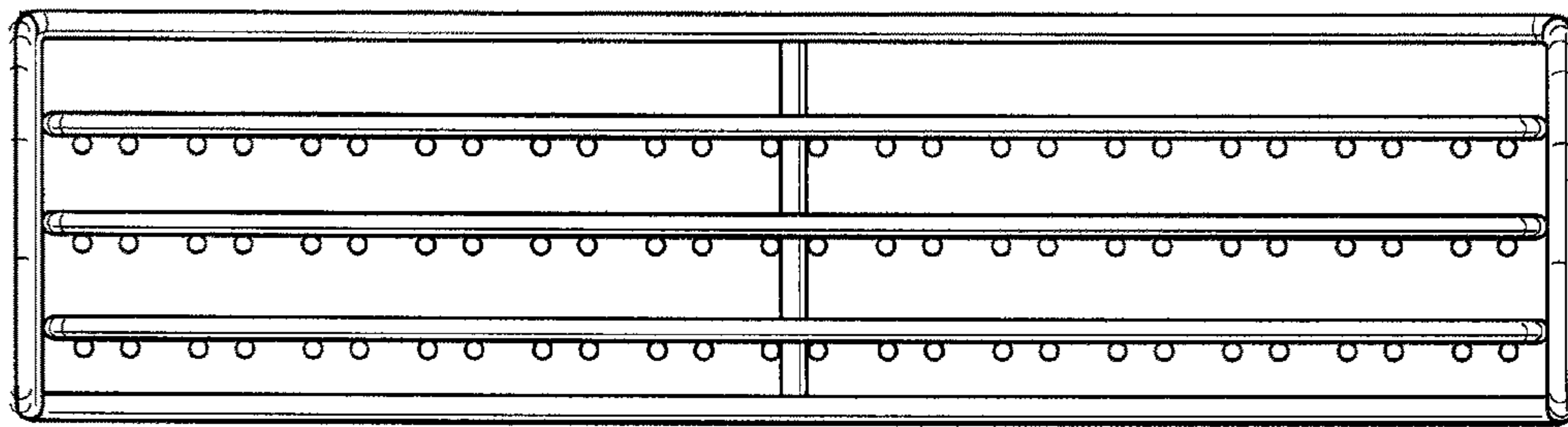


FIG. 2

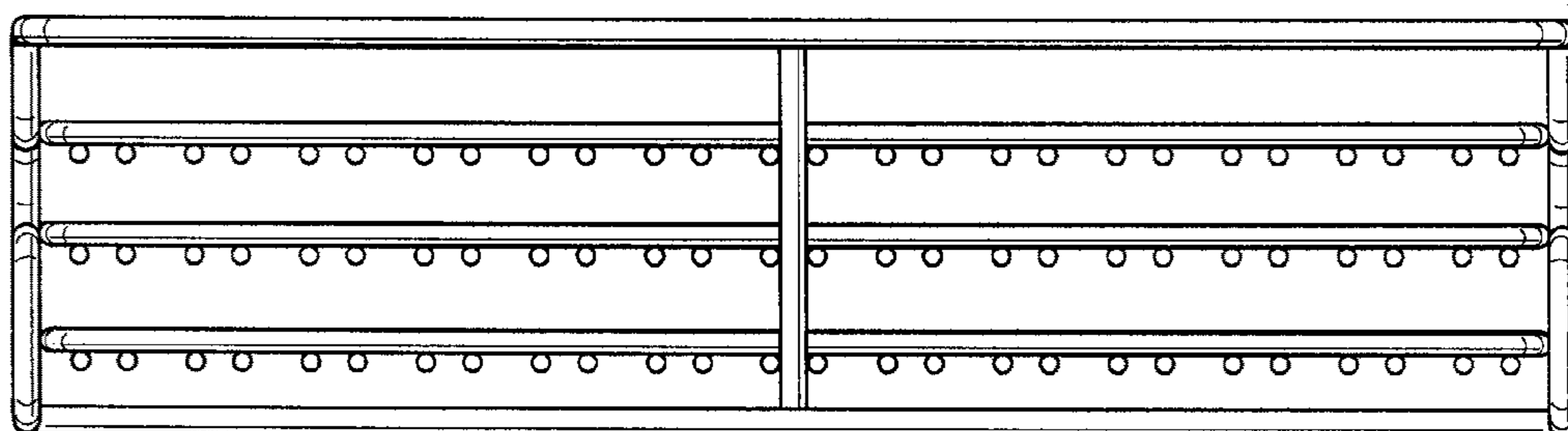


FIG. 3

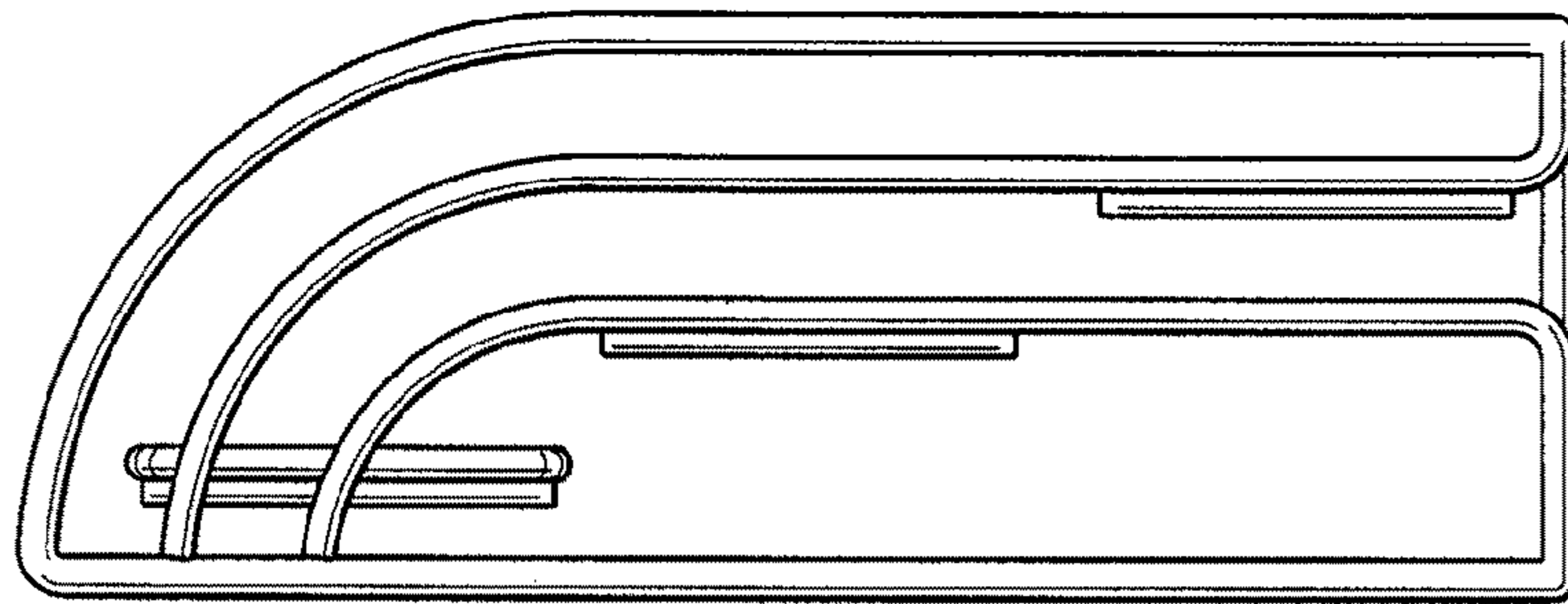


FIG. 4

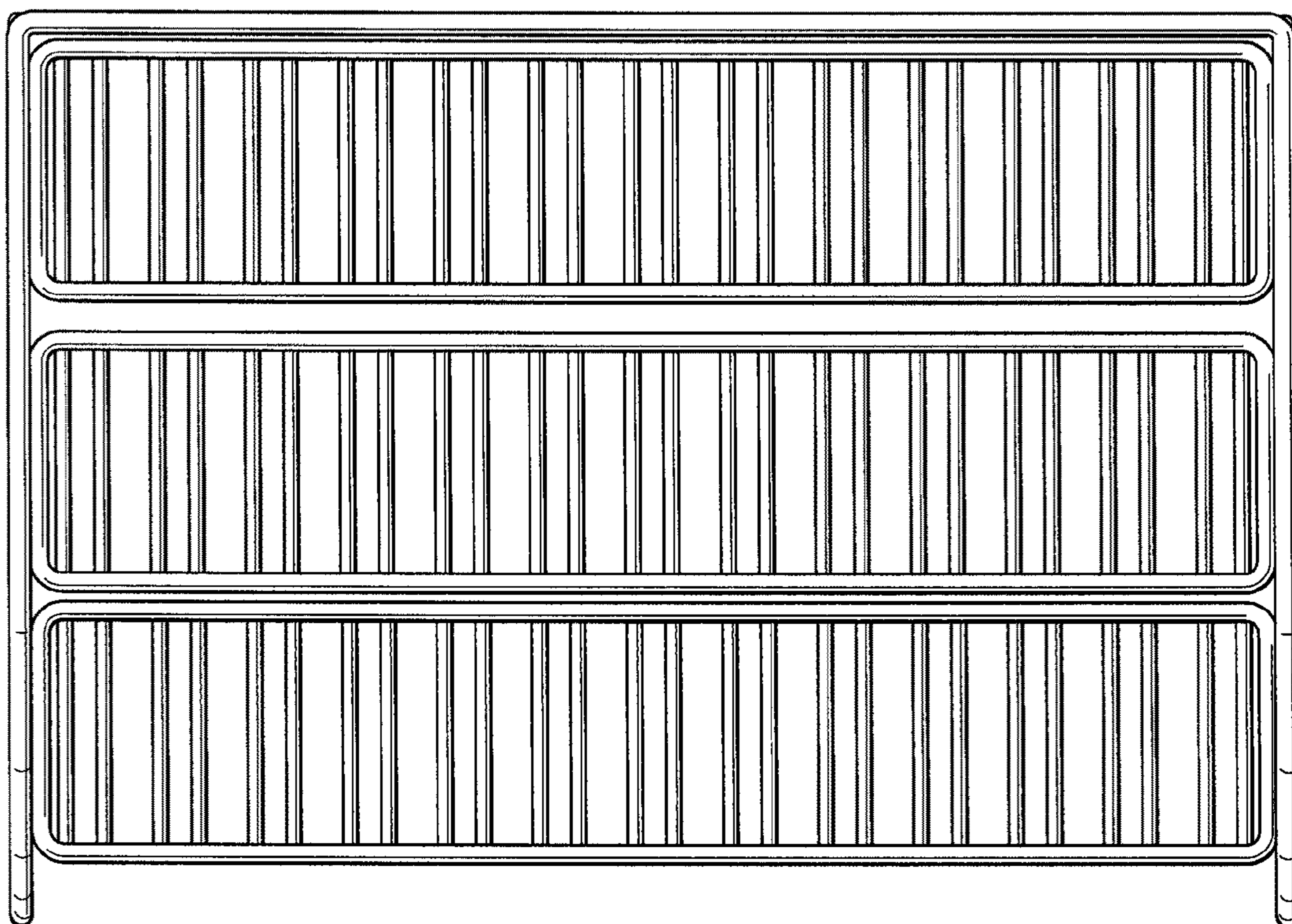


FIG. 5

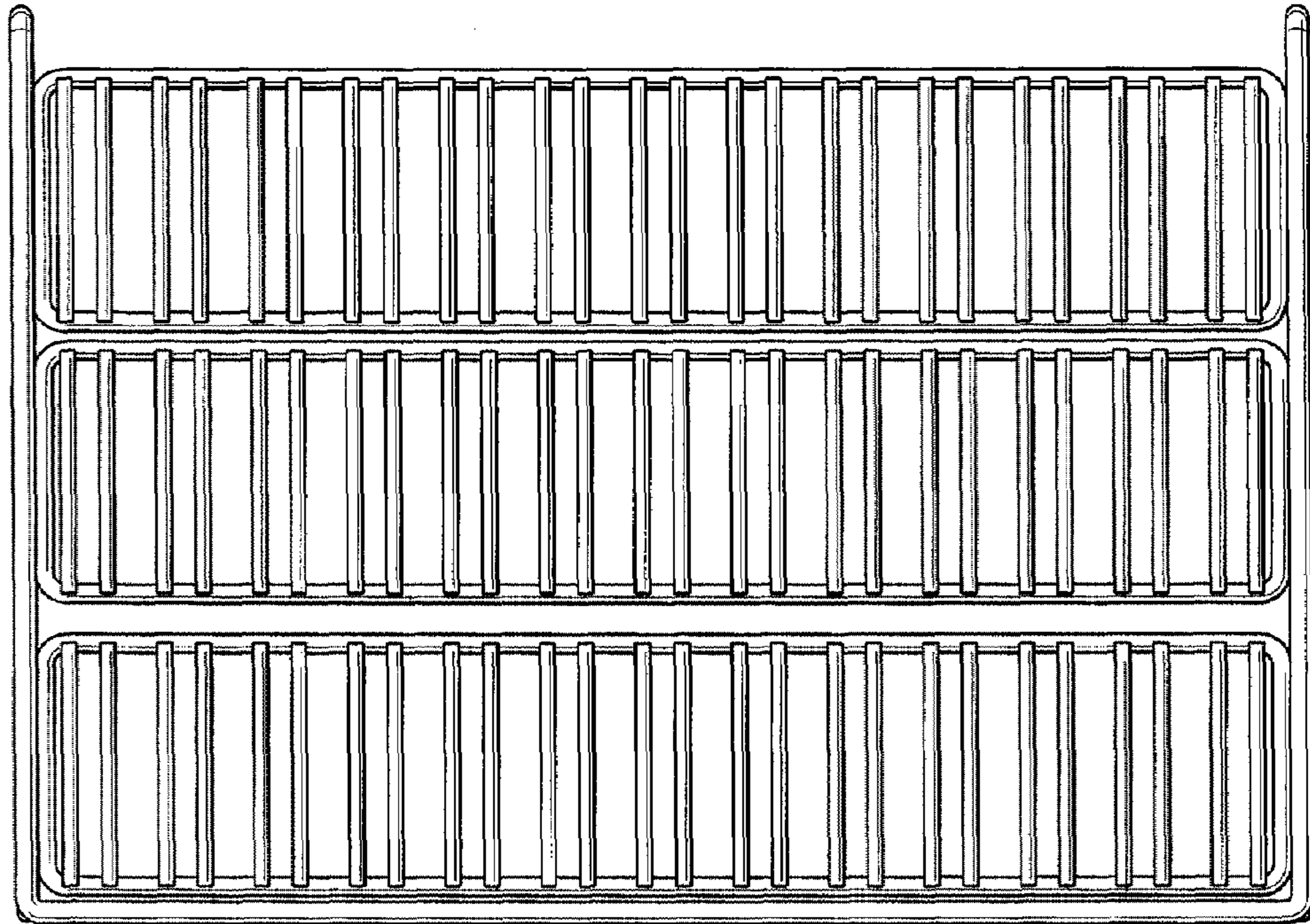


FIG. 6

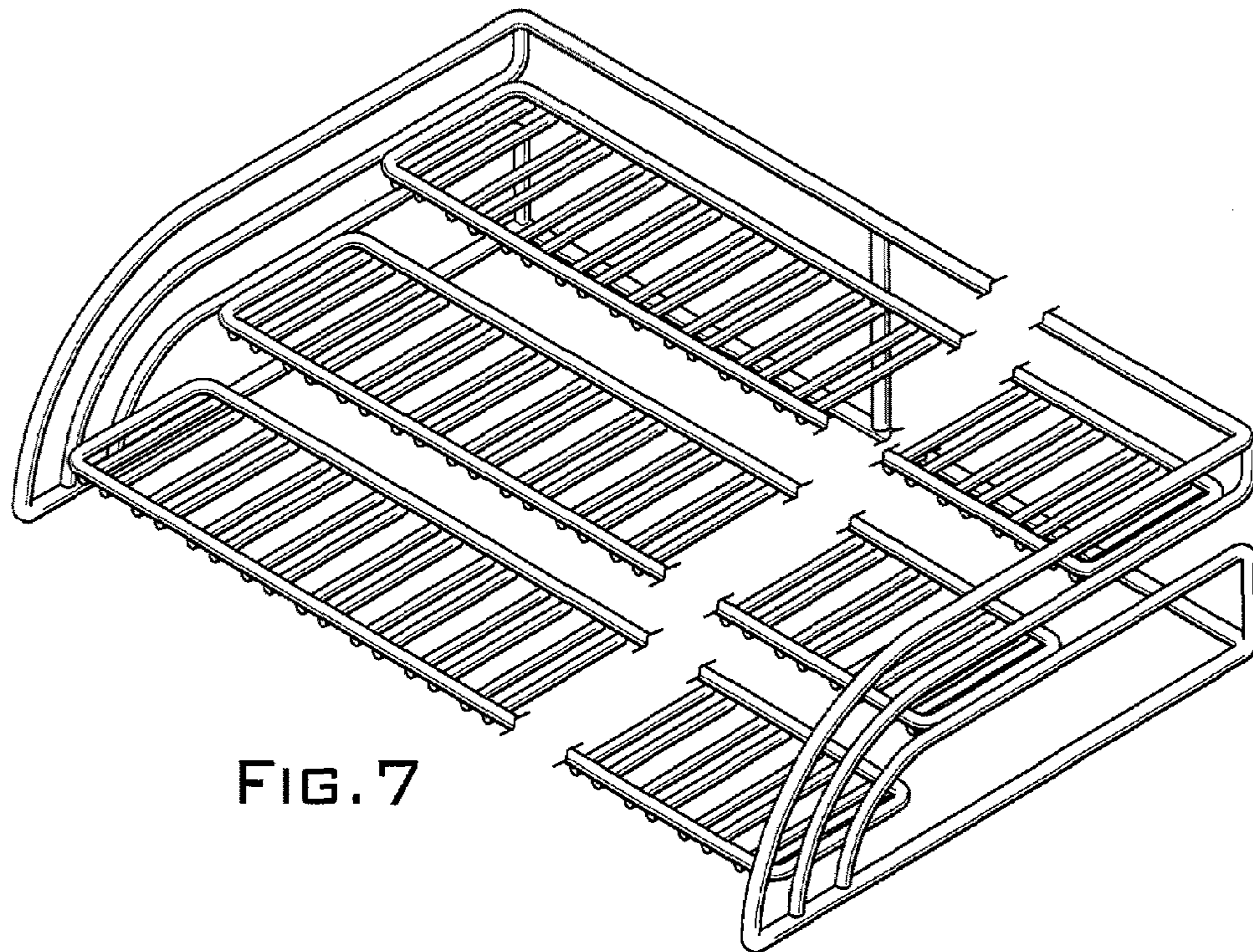


FIG. 7