



US00D587038S

(12) **United States Design Patent**
Goodman et al.

(10) **Patent No.:** **US D587,038 S**

(45) **Date of Patent:** **** Feb. 24, 2009**

(54) **MAGAZINE BASKET**

(75) Inventors: **Sheldon H. Goodman**, Solon, OH (US);
Omer I. Sazir, Cleveland, OH (US)

(73) Assignee: **Spectrum Diversified Designs, Inc.**,
Streetsboro, OH (US)

(**) Term: **14 Years**

(21) Appl. No.: **29/303,480**

(22) Filed: **Feb. 11, 2008**

(51) **LOC (9) Cl.** **06-04**

(52) **U.S. Cl.** **D6/462**

(58) **Field of Classification Search** D6/462,
D6/449, 454-458, 473, 475; 211/13.1, 181.1,
211/85.1, 85.2, 88.03, 119.001, 126.15, 126.9,
211/133.2; 108/103, 105, 139

See application file for complete search history.

(56) **References Cited**

U.S. PATENT DOCUMENTS

D438,042 S	*	2/2001	Hofman et al.	D6/566
D511,909 S	*	11/2005	Goodman et al.	D6/462
D540,091 S	*	4/2007	Snell	D6/566
D553,890 S	*	10/2007	Goodman et al.	D6/566
D554,418 S	*	11/2007	Goodman et al.	D6/566
D577,237 S	*	9/2008	Goodman et al.	D6/566

* cited by examiner

Primary Examiner—Janice E Seeger

Assistant Examiner—Sydney R Buffalow

(74) *Attorney, Agent, or Firm*—Pearne & Gordon LLP

(57) **CLAIM**

The ornamental design for a magazine basket, as shown and described.

DESCRIPTION

FIG. 1 is a perspective view of a magazine basket, showing our new design;

FIG. 2 is a front elevational view thereof;

FIG. 3 is a side elevational view thereof;

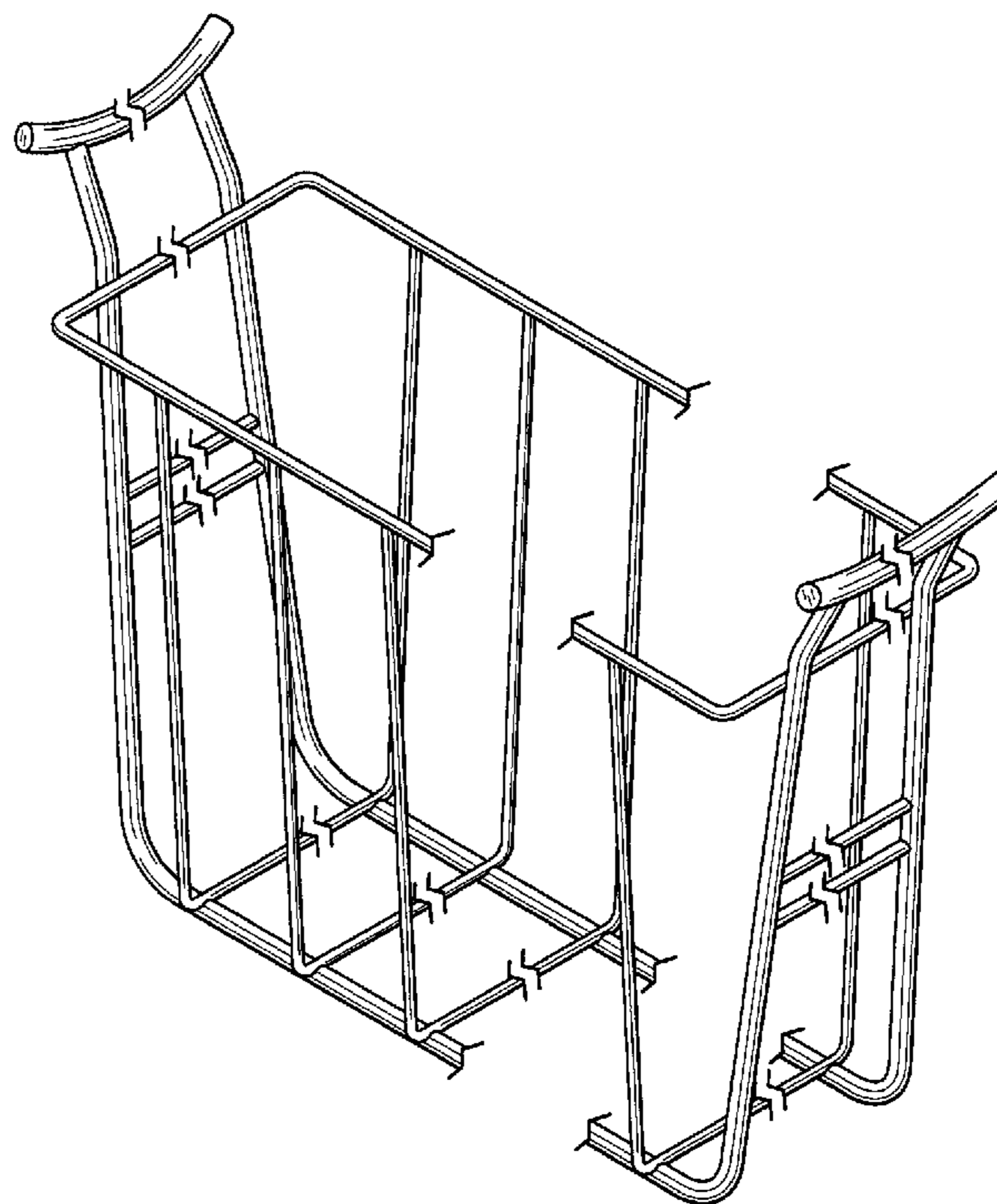
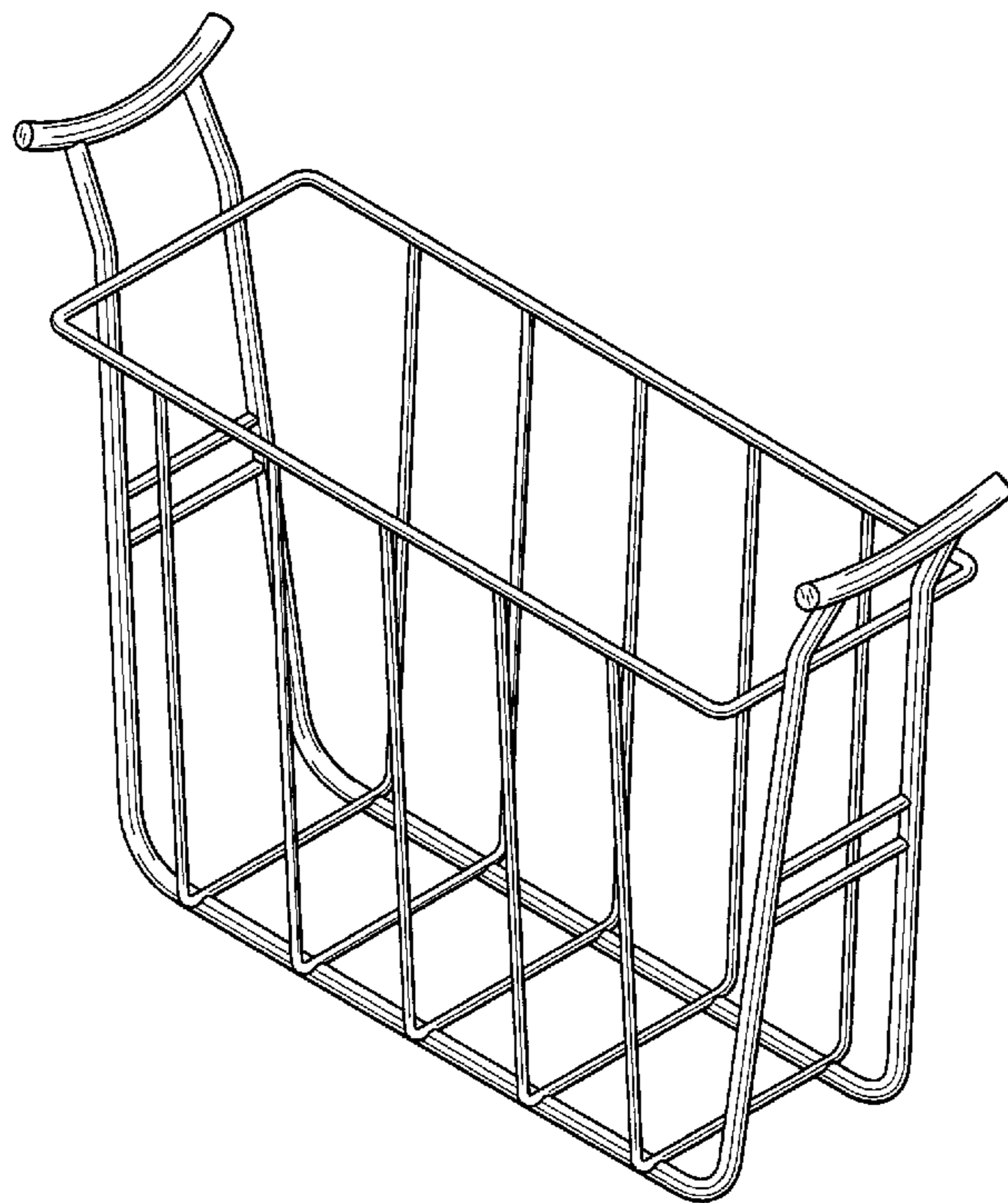
FIG. 4 is a top plan view thereof;

FIG. 5 is a bottom plan view thereof; and,

FIG. 6 is a perspective view of an alternate embodiment of a magazine basket, wherein the jagged lines are cut away to show indeterminate length and the magazine basket is proportionally larger.

The dotted-line disclosure of elements in the views is for illustrative purposes only and forms no part of the claimed design.

1 Claim, 3 Drawing Sheets



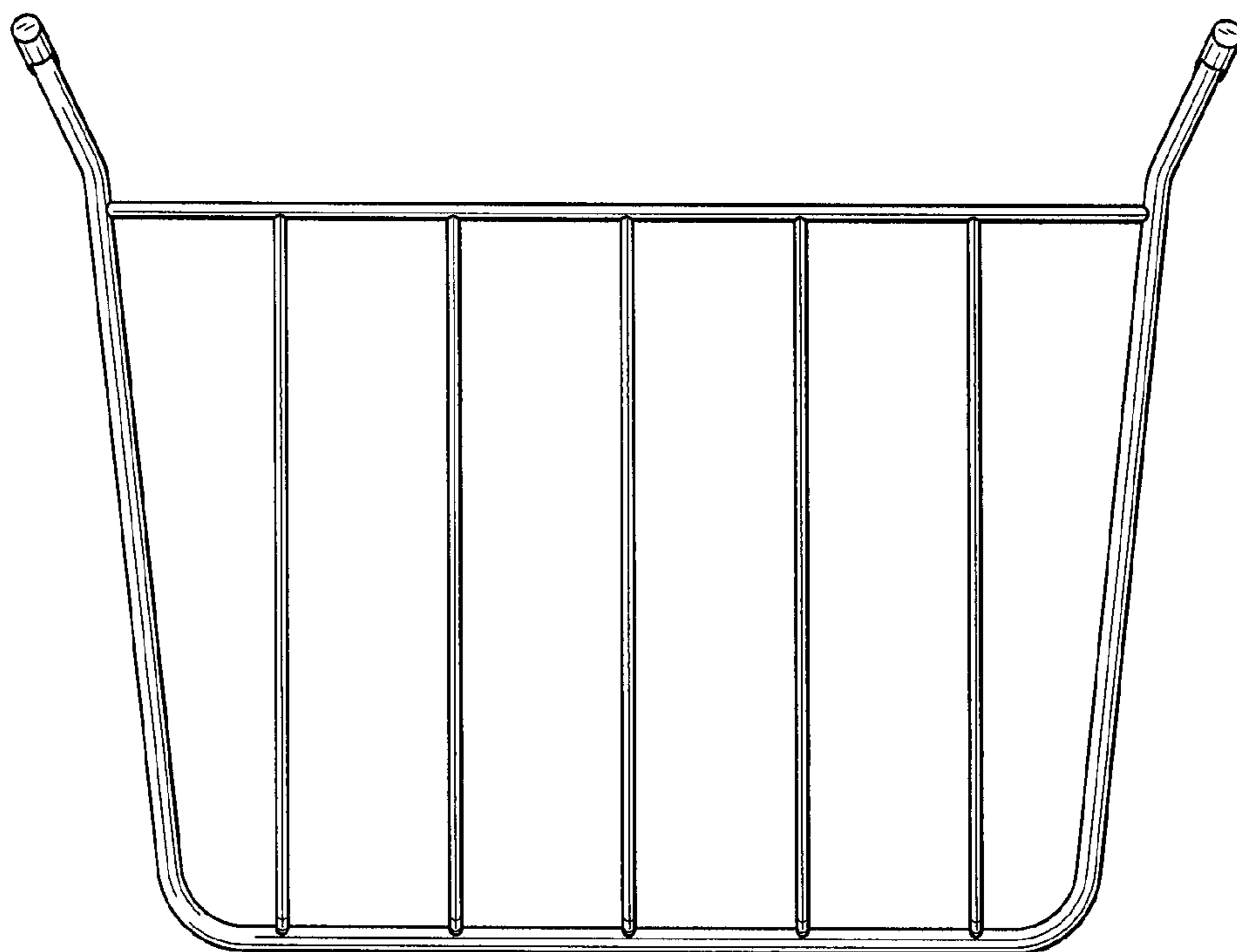
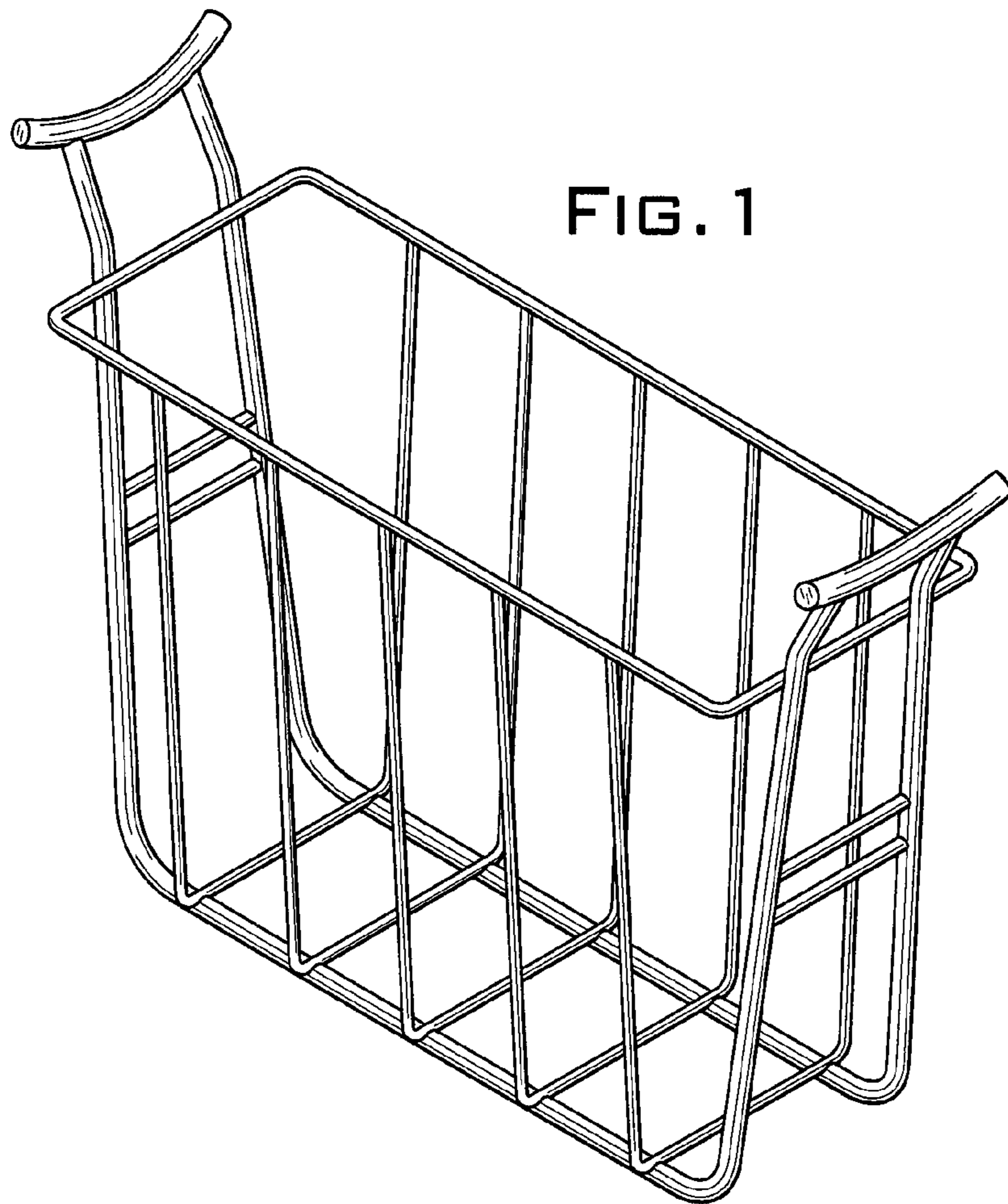


FIG. 2

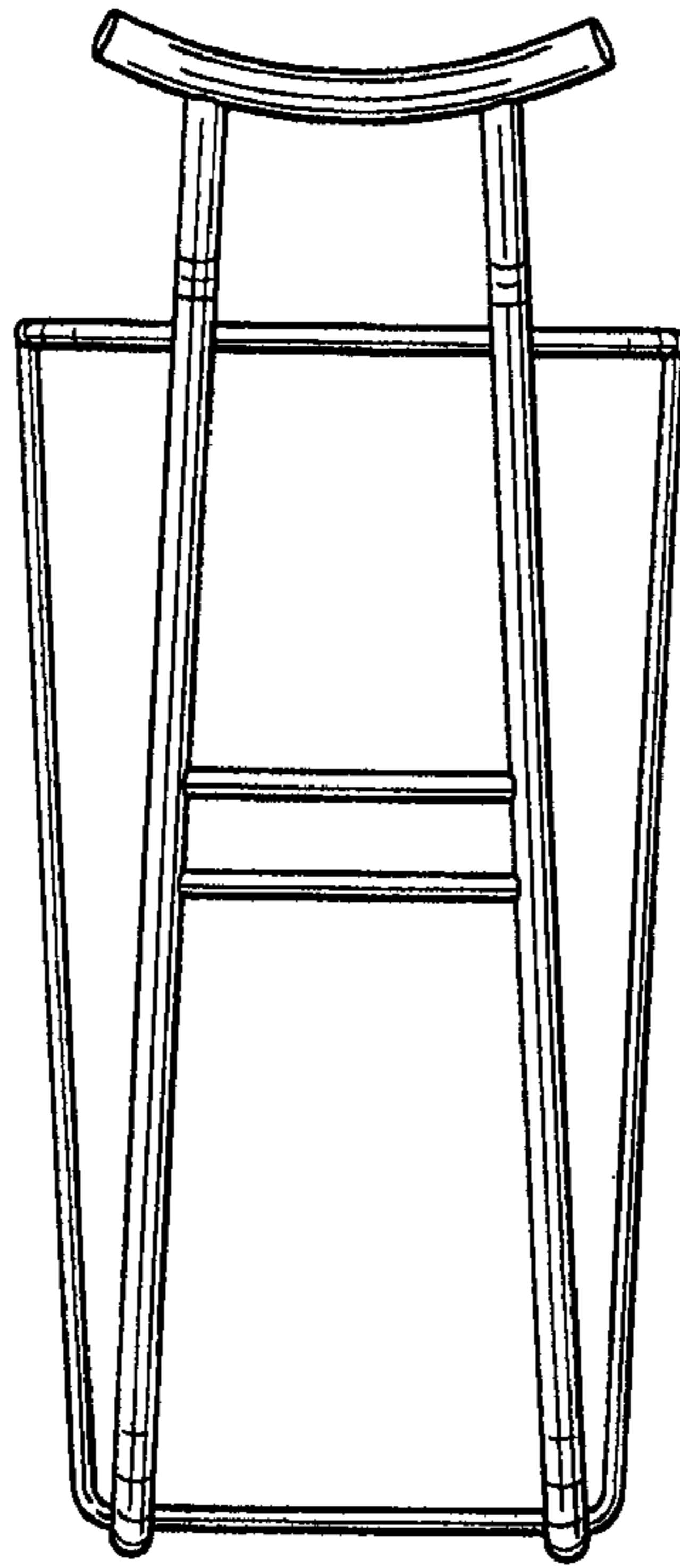


FIG. 3

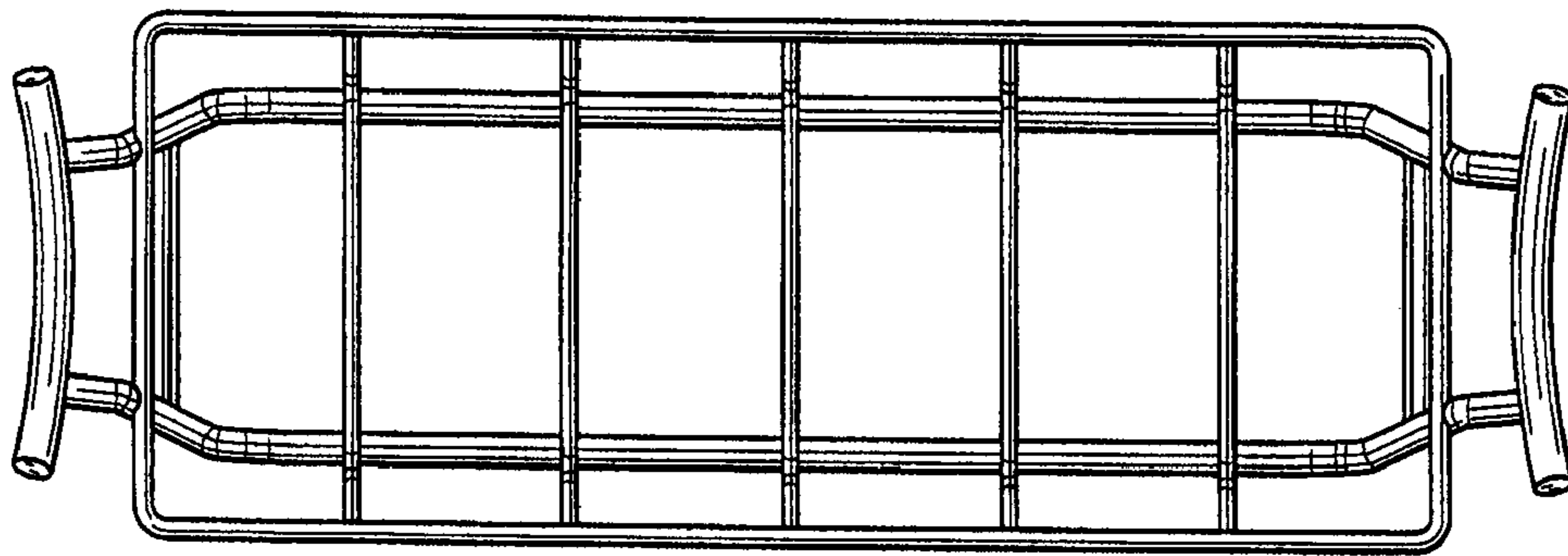


FIG. 4

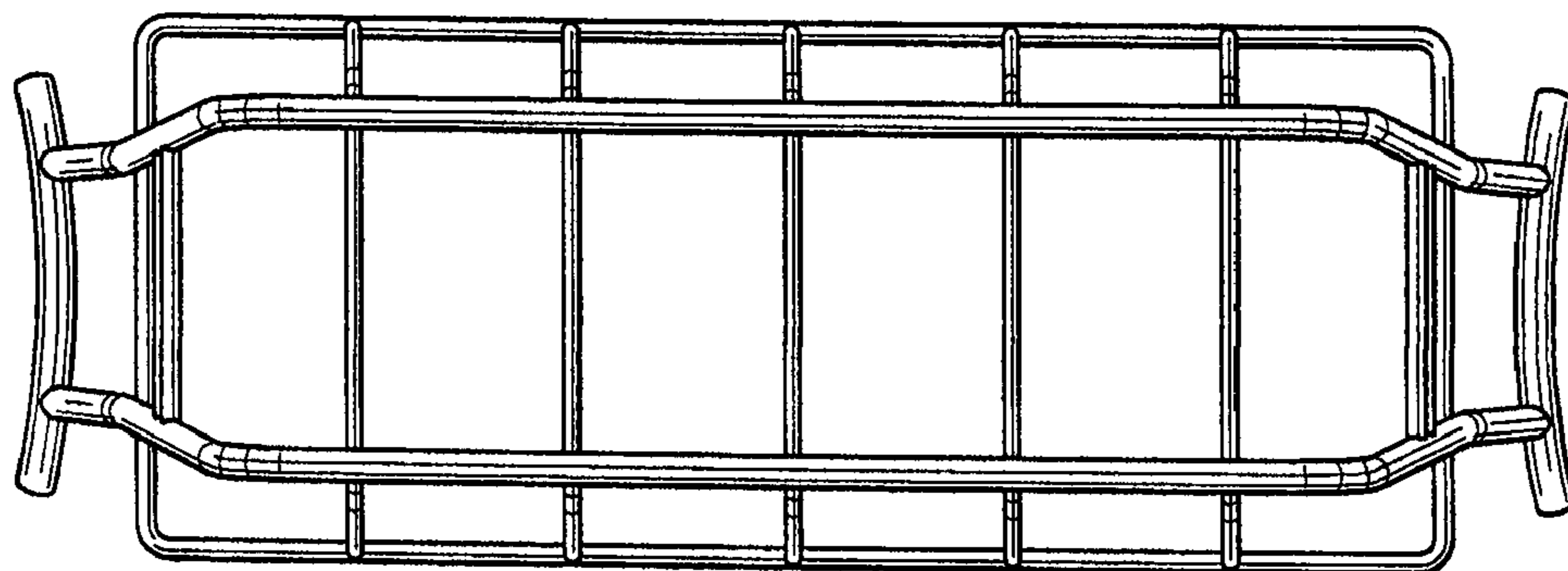


FIG. 5

