



US00D587036S

(12) **United States Design Patent**  
**Russell et al.**

(10) **Patent No.:** **US D587,036 S**

(45) **Date of Patent:** **\*\* Feb. 24, 2009**

(54) **WALL MOUNTABLE SHELF SYSTEM FOR ELECTRONIC EQUIPMENT**

D546,584 S \* 7/2007 Brin ..... D6/465  
7,395,937 B2 \* 7/2008 Sliwowski et al. .... 211/59.1  
2007/0193481 A1 8/2007 Wiebe et al.

(75) Inventors: **Scott Russell**, Woodbury, MN (US); **Jim Wohlford**, Edina, MN (US); **Dominic Grey**, Blaine, MN (US)

\* cited by examiner

(73) Assignee: **Milestone AV Technologies LLC**, Savage, MN (US)

*Primary Examiner*—Caron Veynar

*Assistant Examiner*—Sydney R Buffalow

(74) *Attorney, Agent, or Firm*—Patterson, Thuente, Skaar & Christensen PA

(\*\*) Term: **14 Years**

(57) **CLAIM**

(21) Appl. No.: **29/282,349**

The ornamental design for a wall mountable shelf system for electronic equipment, as shown and described.

(22) Filed: **Jul. 17, 2007**

(51) **LOC (9) Cl.** ..... **06-04**

(52) **U.S. Cl.** ..... **D6/456**

(58) **Field of Classification Search** ..... D6/465,  
D6/630, 449, 397, 468, 466; 108/64; 211/105.1,  
211/59.1, 134, 119.003, 90.01

See application file for complete search history.

**DESCRIPTION**

(56) **References Cited**

U.S. PATENT DOCUMENTS

260,336 A	6/1882	Thayer	
279,249 A	6/1883	Jackson	
282,328 A	7/1883	Kacer et al.	
293,404 A	2/1884	Bird	
406,476 A	7/1889	Ries	
545,604 A	9/1895	Muker	
546,103 A	9/1895	Katz	
2,650,714 A *	9/1953	Brose et al. ....	211/105.1
3,698,329 A	10/1972	Diamond et al.	
4,787,319 A *	11/1988	Dupraz .....	108/64
5,348,385 A	9/1994	Berg	
D436,490 S *	1/2001	Kwok .....	D6/630
6,644,609 B1	11/2003	Scott	
D488,019 S *	4/2004	Hassett .....	D6/630
D522,271 S *	6/2006	Arippol .....	D6/465

FIG. 1 is a front perspective view of a wall mountable shelf system for electronic equipment according to an embodiment of the invention;

FIG. 2 is side elevation view of the wall mountable shelf system for electronic equipment depicted in FIG. 1;

FIG. 3 is a front elevation view of the wall mountable shelf system for electronic equipment depicted in FIG. 1;

FIG. 4 is an opposing side elevation view of the wall mountable shelf system for electronic equipment depicted in FIG. 1;

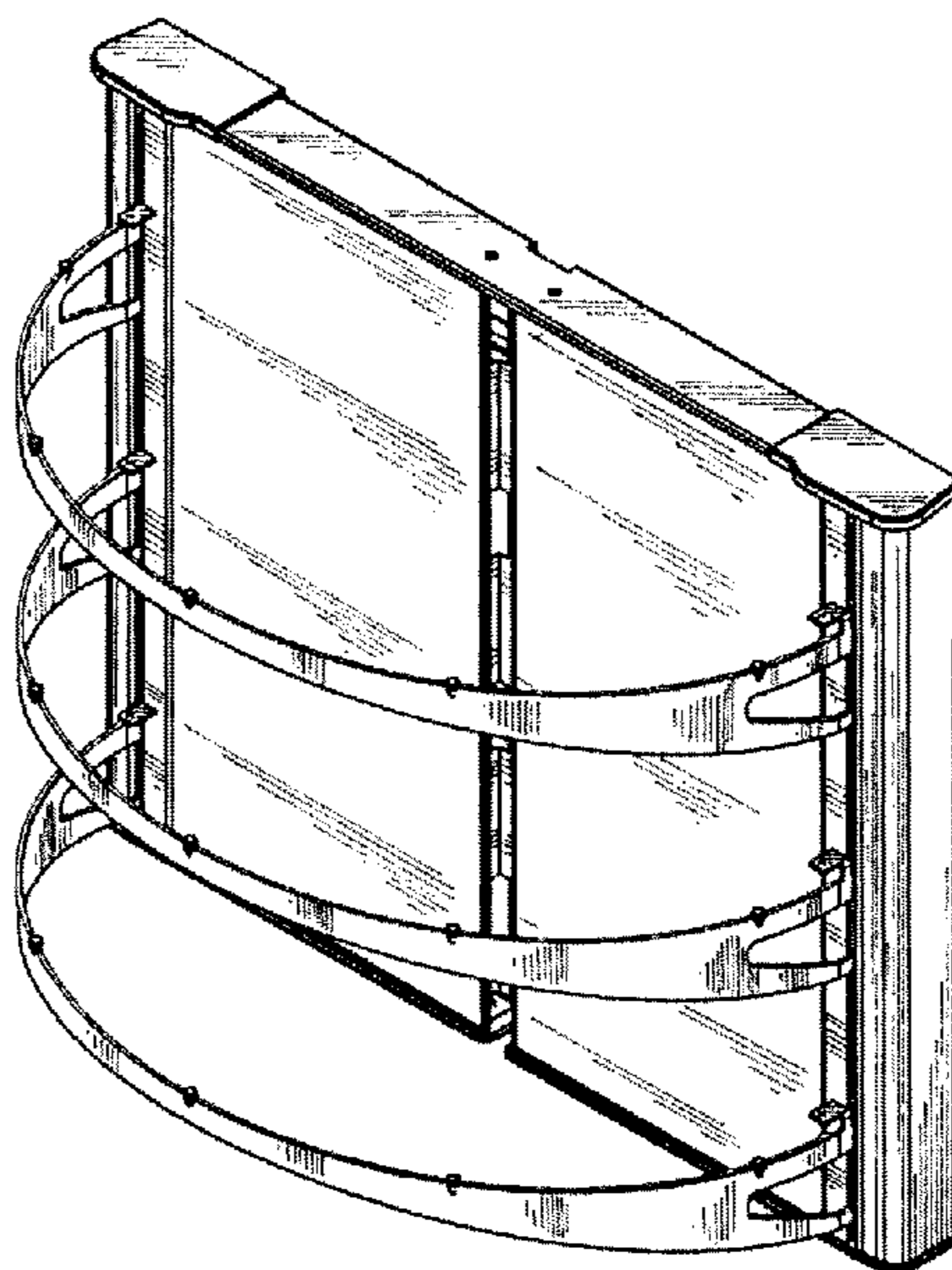
FIG. 5 is a rear elevation view of the wall mountable shelf system for electronic equipment depicted in FIG. 1;

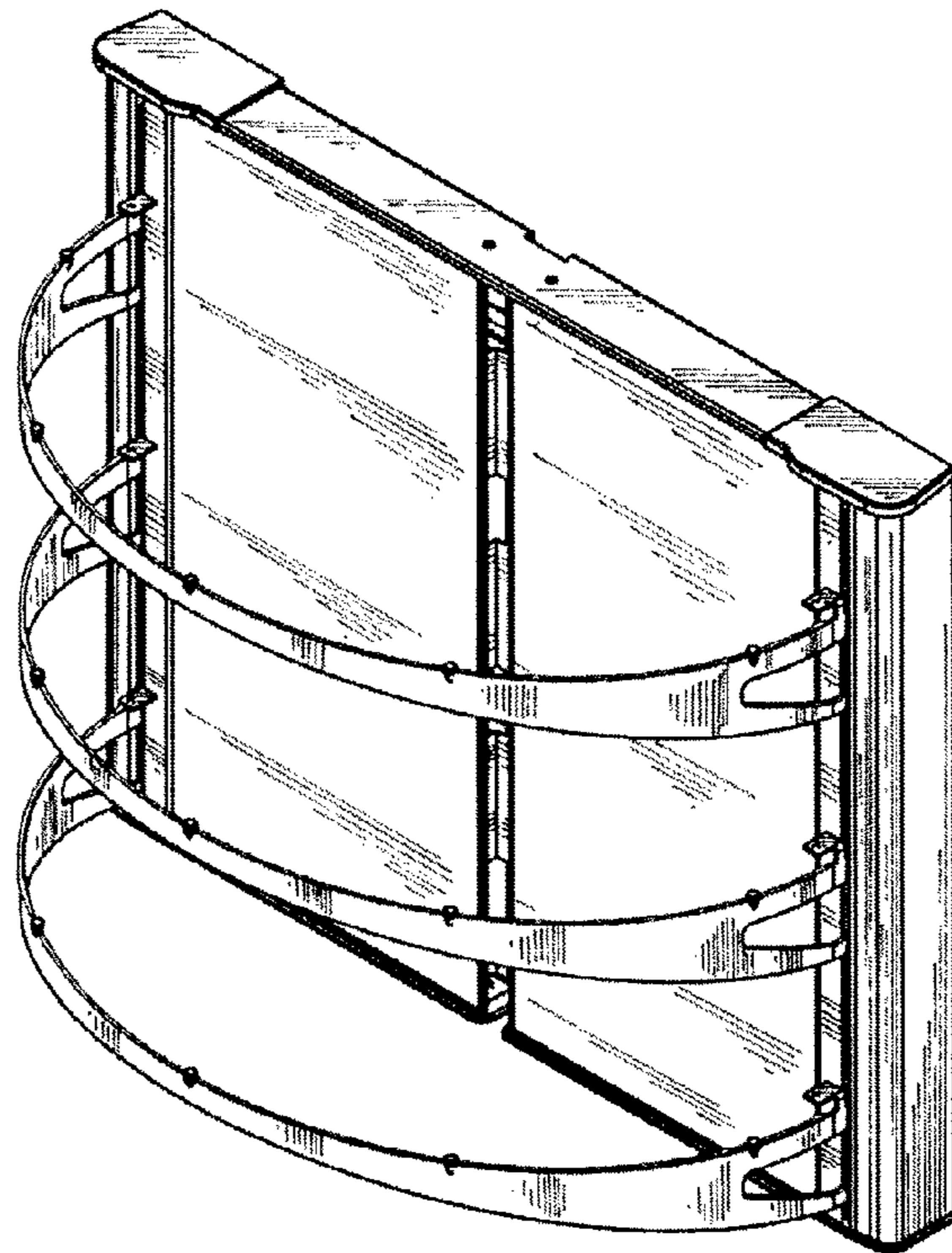
FIG. 6 is a top plan view of the wall mountable shelf system for electronic equipment depicted in FIG. 1; and,

FIG. 7 is a bottom plan view of the wall mountable shelf system for electronic equipment depicted in FIG. 1.

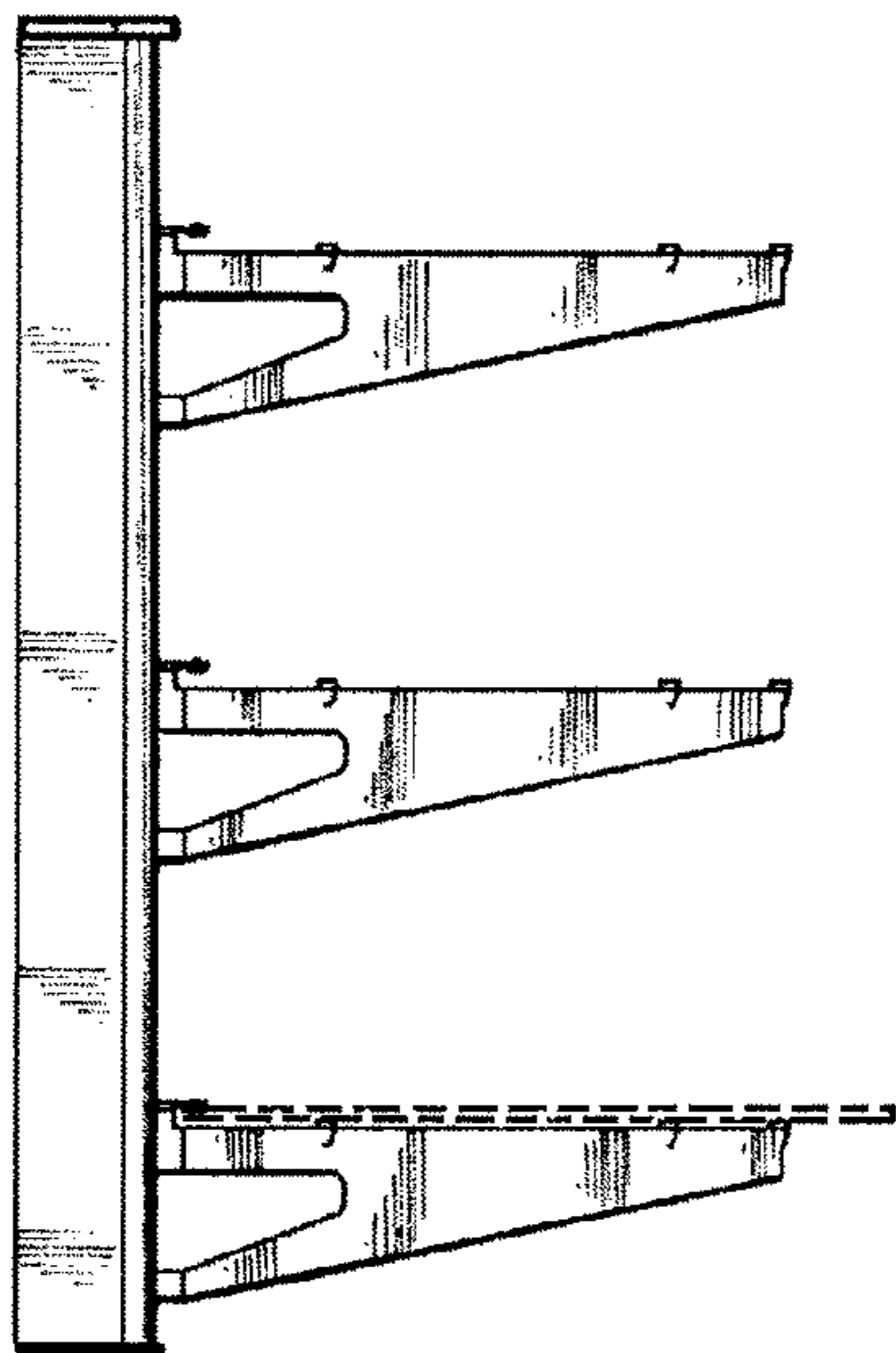
The broken-line disclosure in the views is for the purposes of depicting environment only and forms no part of the claimed design.

**1 Claim, 2 Drawing Sheets**

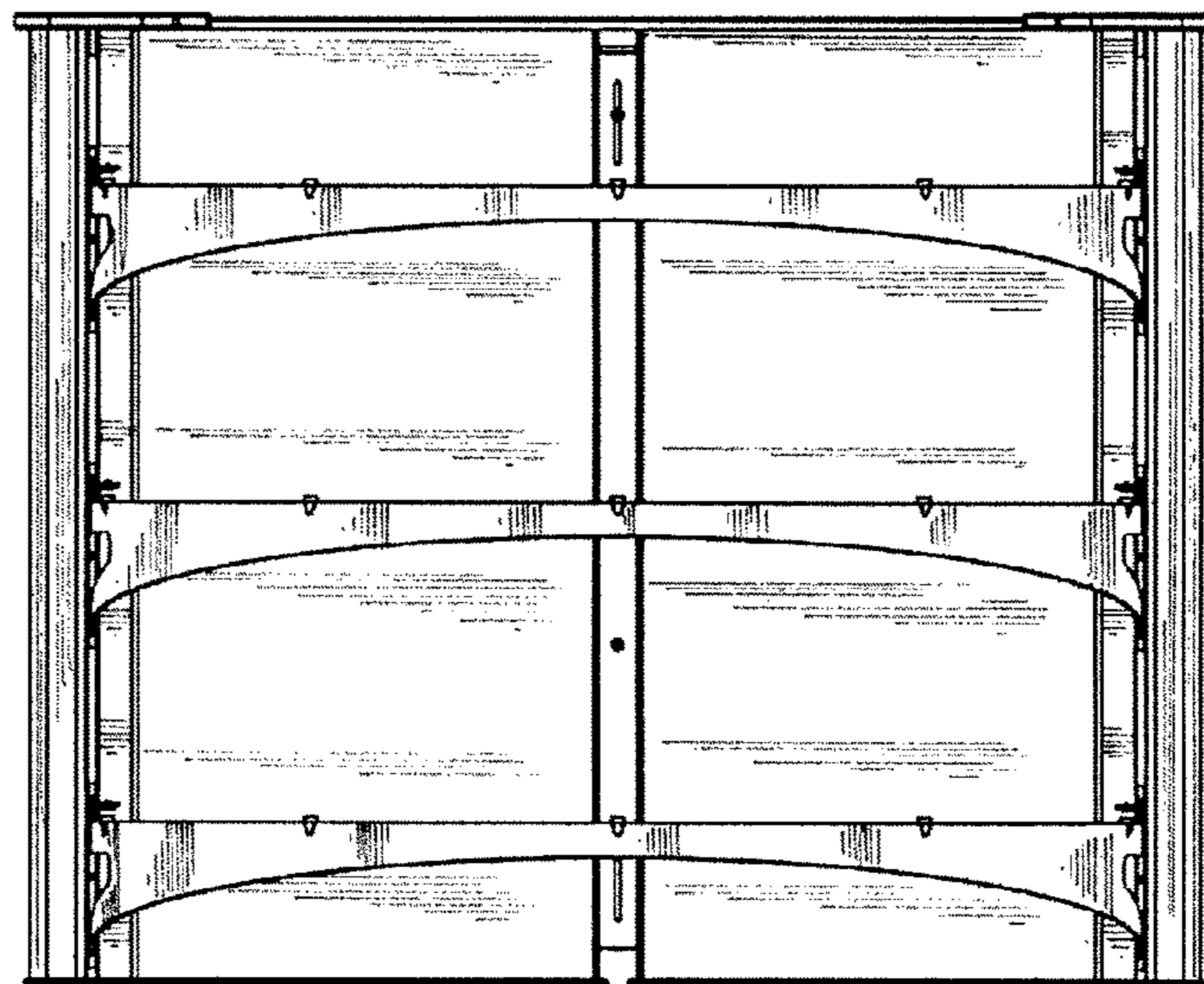




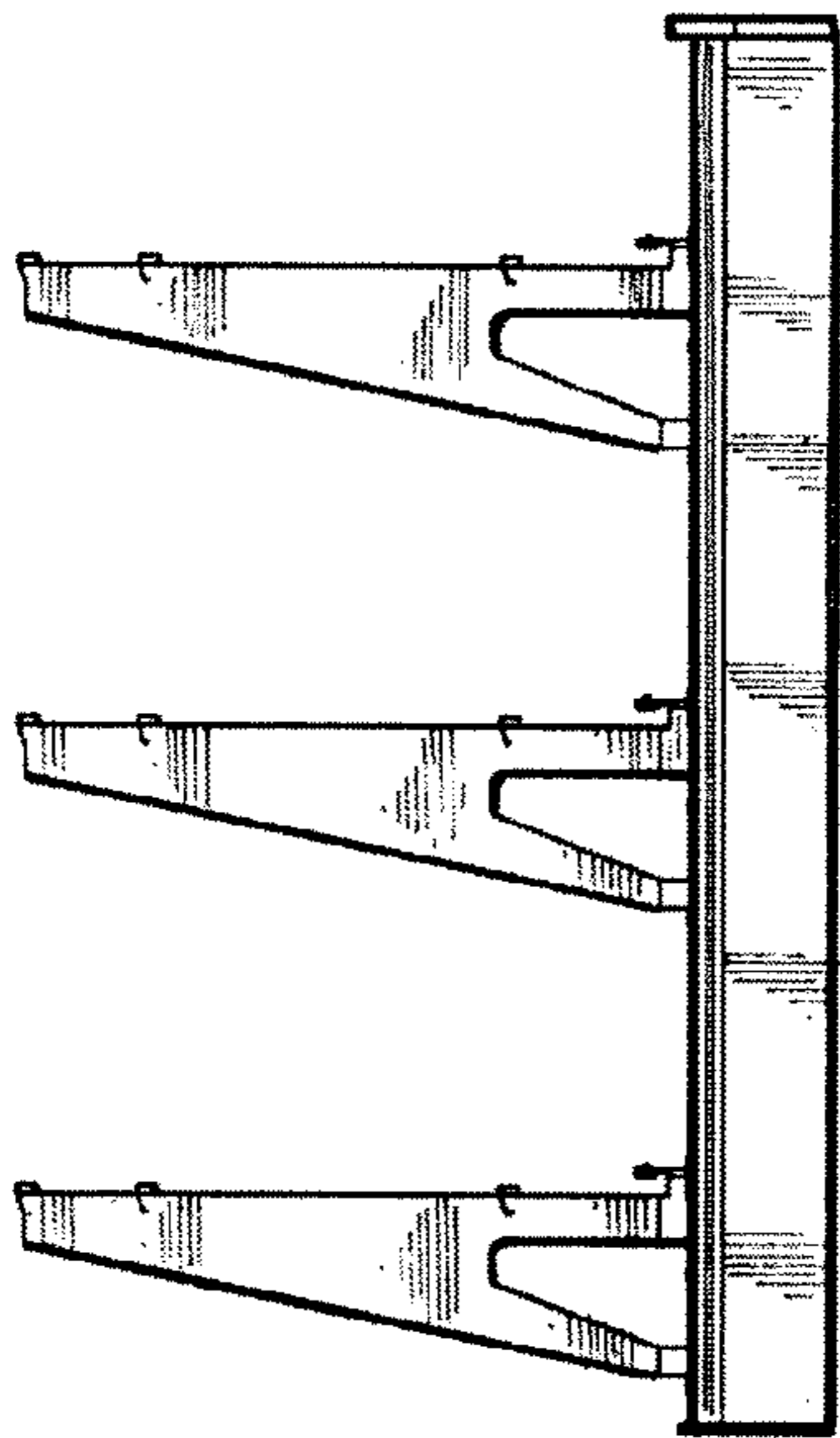
*Fig. 1.*



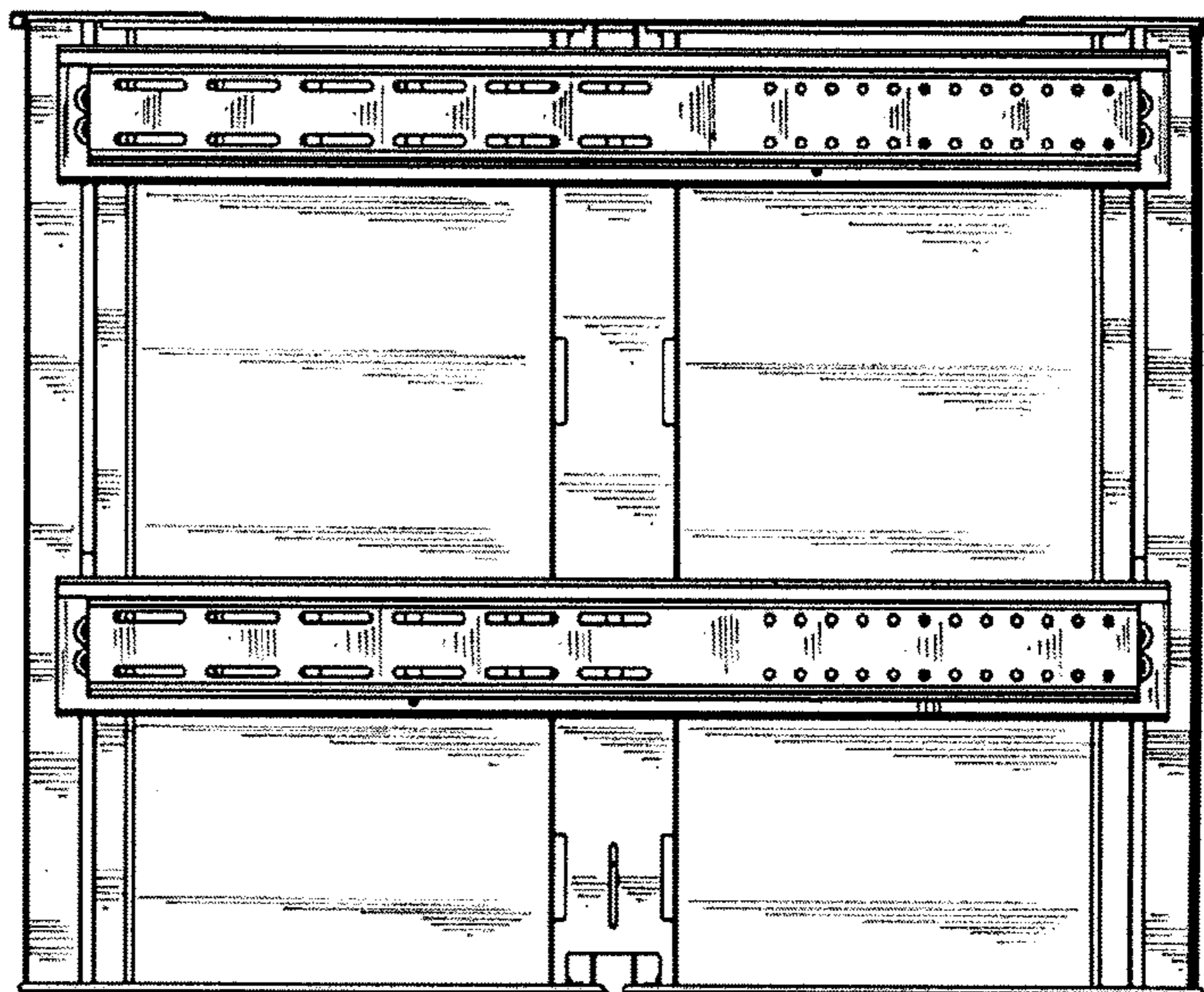
*Fig. 2.*



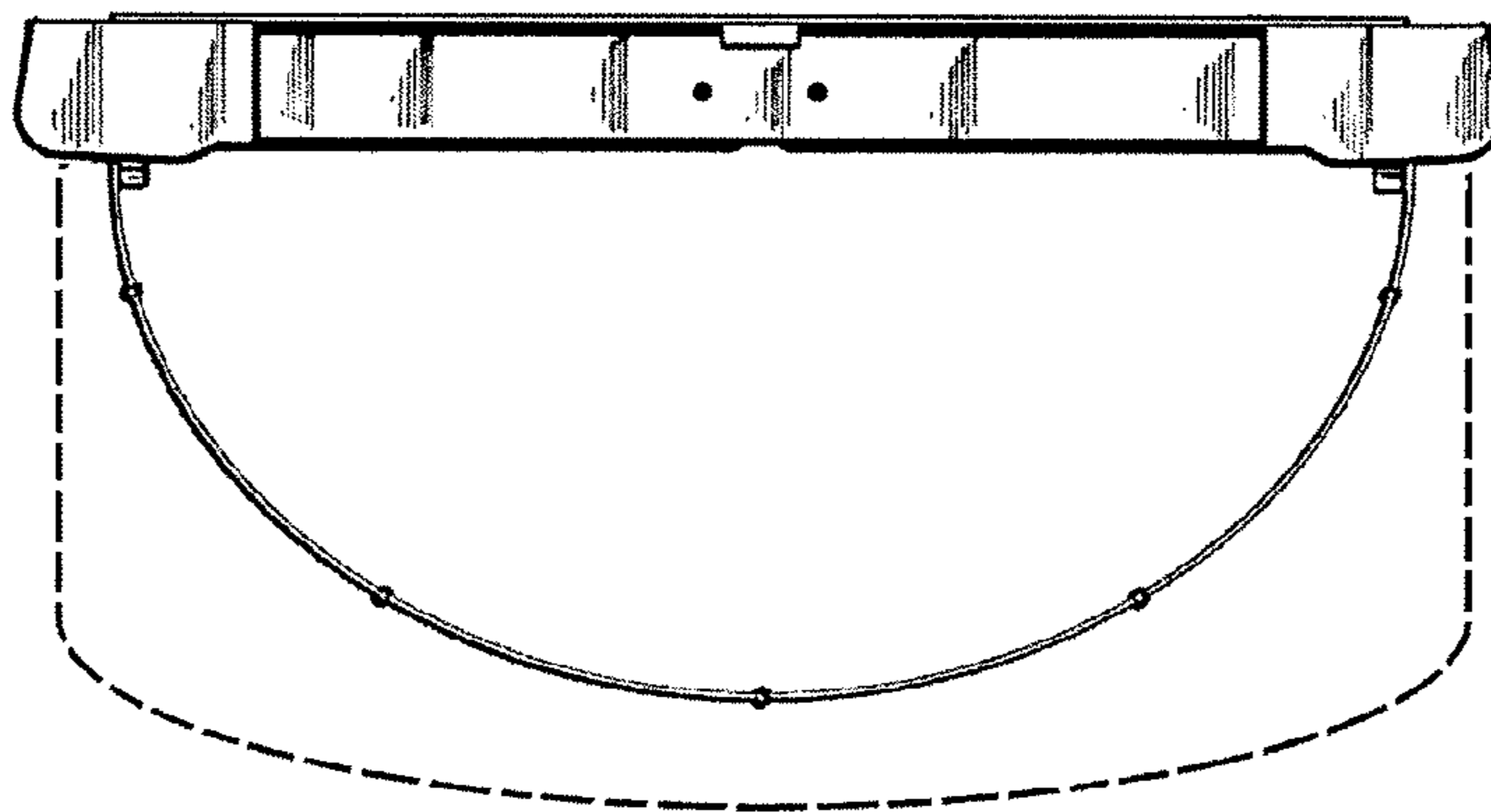
*Fig. 3.*



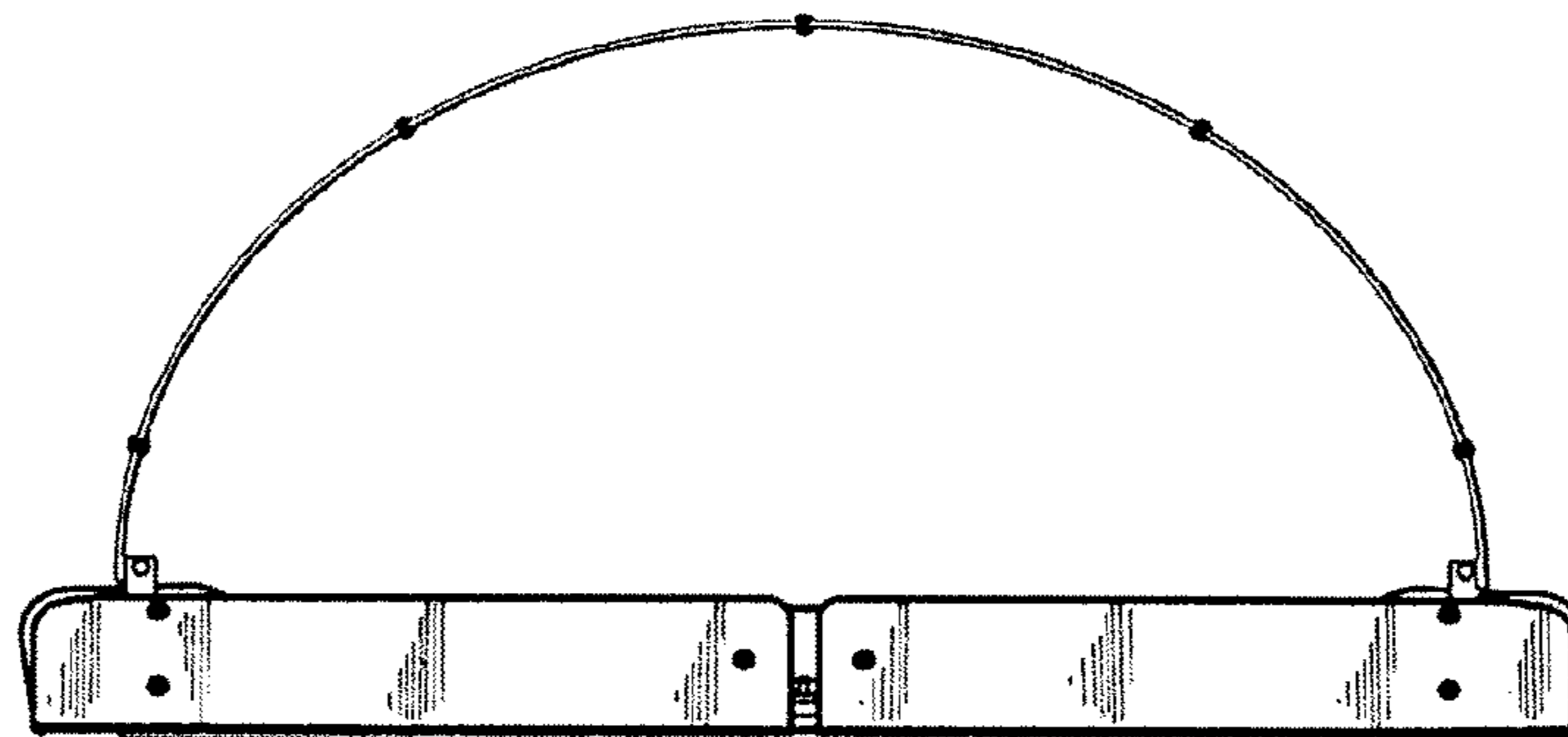
*Fig. 4.*



*Fig. 5.*



*Fig. 6.*



*Fig. 7.*