



US00D587035S

(12) **United States Design Patent**
Meade, III et al.

(10) **Patent No.:** **US D587,035 S**
(45) **Date of Patent:** **** Feb. 24, 2009**

(54) **DISPLAY STAND**

(75) Inventors: **Joseph F. Meade, III**, Hammondsport, NY (US); **Gerald L. Keeler**, Bath, NY (US); **Beverly E. McConnell**, Bath, NY (US); **Kevin C. Bailey**, Hammondsport, NY (US); **Matthew Charles Stappenbeck**, Marion, NY (US); **Franklin David Walczak**, Hammondsport, NY (US); **Lynn L. Keeler**, Corning, NY (US); **Ronald L. Dyer**, Bath, NY (US)

(73) Assignee: **Mercury Aircraft, Inc.**, Hammondsport, NY (US)

(**) Term: **14 Years**

(21) Appl. No.: **29/283,369**

(22) Filed: **Aug. 13, 2007**

(51) **LOC (9) Cl.** **06-04**

(52) **U.S. Cl.** **D6/449**

(58) **Field of Classification Search** D6/505,
D6/480, 478, 476, 473, 471, 469, 468, 467,
D6/466, 457, 454, 449, 436, 433, 429, 426,
D6/425, 422, 419, 411, 409, 397, 396, 310,
D6/300; D34/17; D23/286; D20/10; D14/307,
D14/140.11, 140.8, 339, 375, 388, 441; 40/734;
312/196; 280/47.35; 211/72; D21/332;
D24/173; D13/163, 164

See application file for complete search history.

(56) **References Cited**

U.S. PATENT DOCUMENTS

D252,899 S * 9/1979 Campbell D6/469
D254,998 S * 5/1980 Espeseth D6/419
D289,116 S * 4/1987 Kando D6/474
5,064,162 A * 11/1991 Jondelius 248/548

D356,221 S * 3/1995 Griffith D6/449
D416,707 S * 11/1999 Plainfield D6/419
D434,078 S * 11/2000 Matsumoto D20/10
D437,713 S * 2/2001 Young D6/449
D442,966 S 5/2001 Cabric
D447,357 S * 9/2001 Sims D6/396
D456,171 S * 4/2002 Coonan et al. D6/429
D459,609 S * 7/2002 Raff D6/419
D459,610 S * 7/2002 Coonan et al. D6/429
D473,554 S * 4/2003 Landerholm et al. D14/302
D478,434 S * 8/2003 Pearlson D6/449
D478,582 S * 8/2003 Becker et al. D14/302
D516,064 S * 2/2006 Becker et al. D14/307
D545,081 S * 6/2007 Lara D6/466
D565,044 S * 3/2008 Witts et al. D14/307

* cited by examiner

Primary Examiner—Cathron C Brooks

Assistant Examiner—Austin Murphy

(74) *Attorney, Agent, or Firm*—Brian B. Shaw, Esq.; Jodi A. Reynolds, Esq.; Harter Secrest & Emery LLP

(57) **CLAIM**

We claim the ornamental design for a display stand, as shown and described.

DESCRIPTION

FIG. 1 is a perspective view of the display stand showing my new design;

FIG. 2 is a front elevational view thereof;

FIG. 3 is a right side elevational view thereof;

FIG. 4 is a rear elevational view thereof;

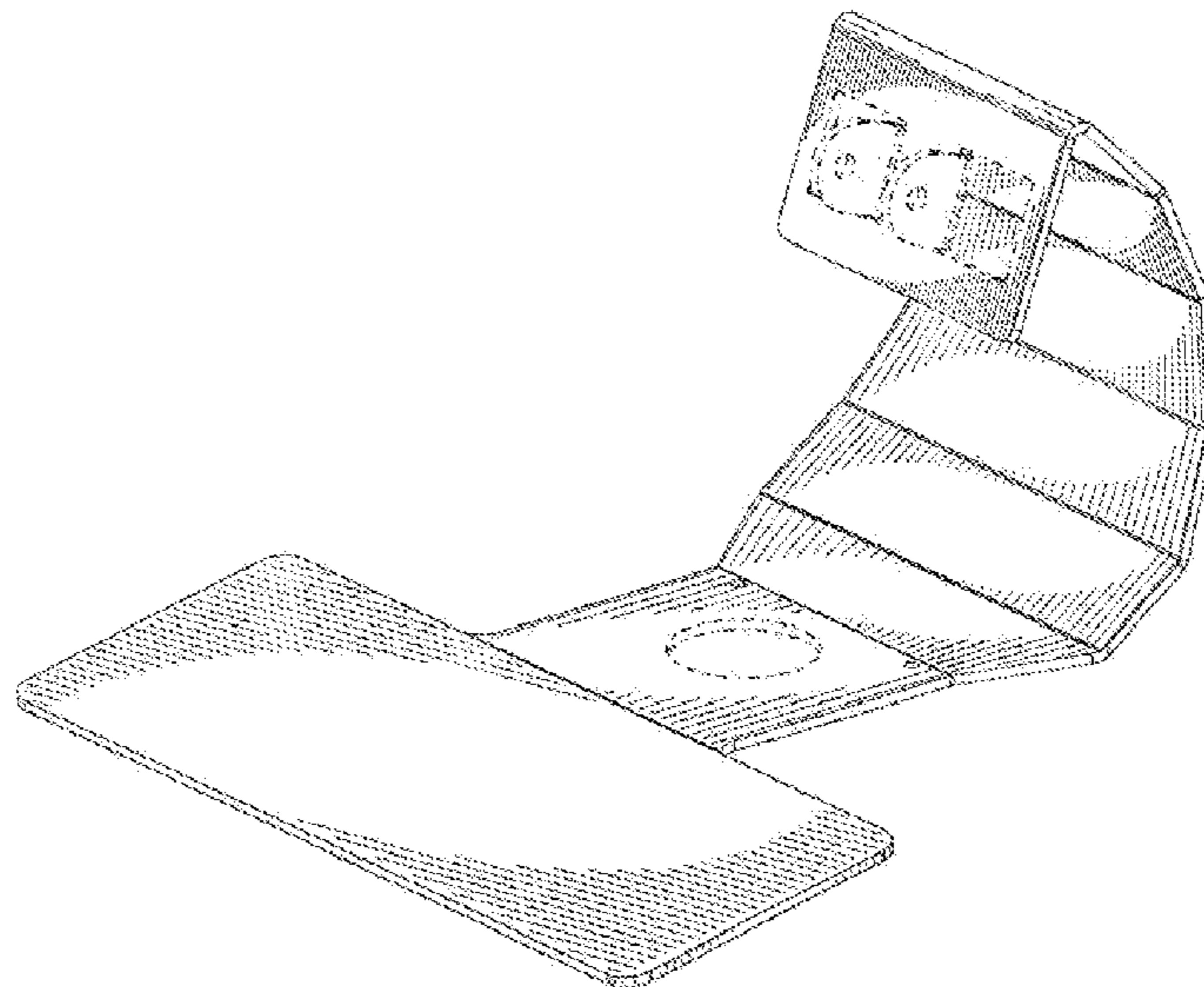
FIG. 5 is a left side elevational view thereof;

FIG. 6 is a top plan view of thereof; and,

FIG. 7 is a bottom plan view thereof.

Throughout the figures, dotted lines are included for illustrative purposes only and form no part of the claimed design.

1 Claim, 7 Drawing Sheets



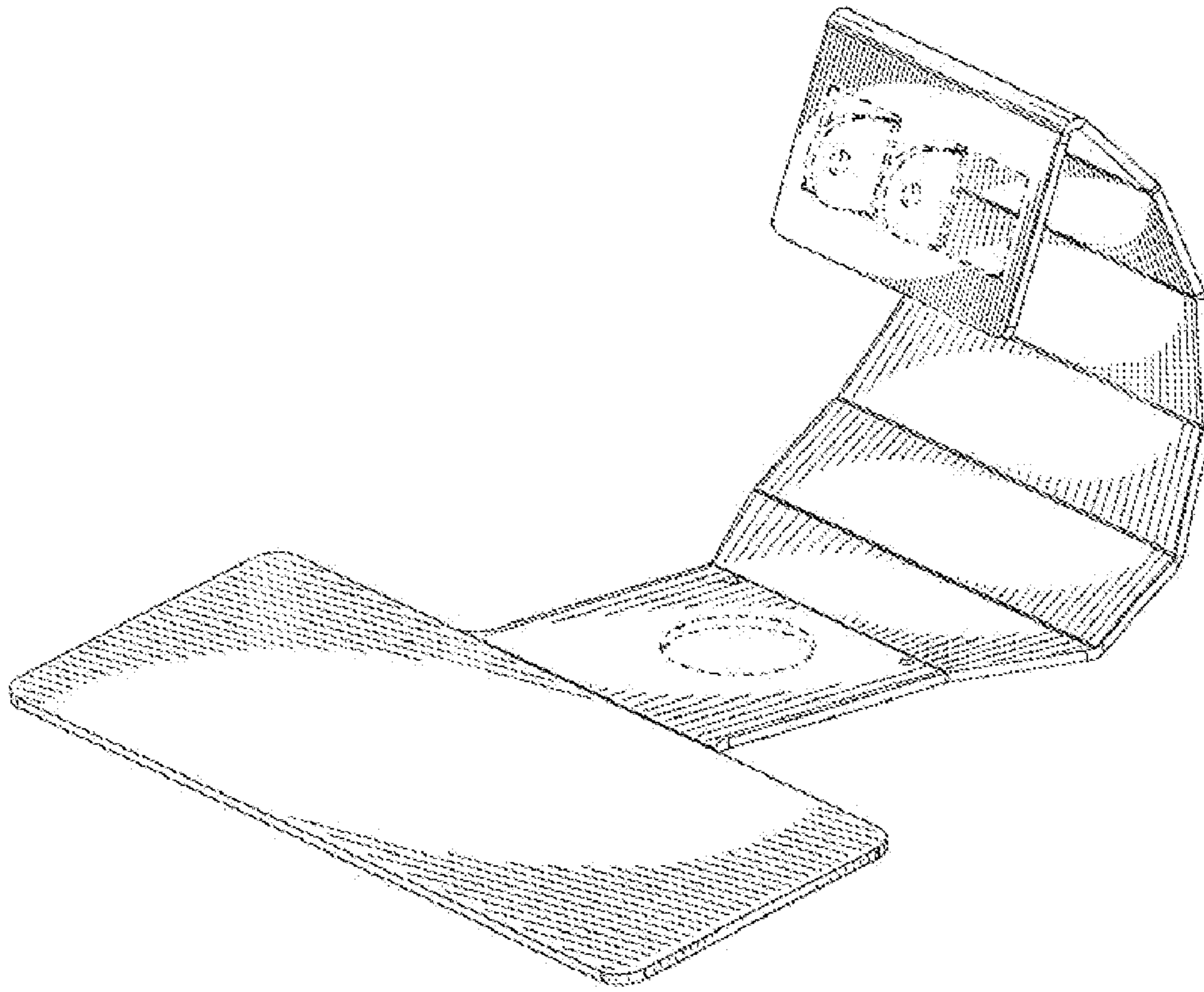


FIG. 1

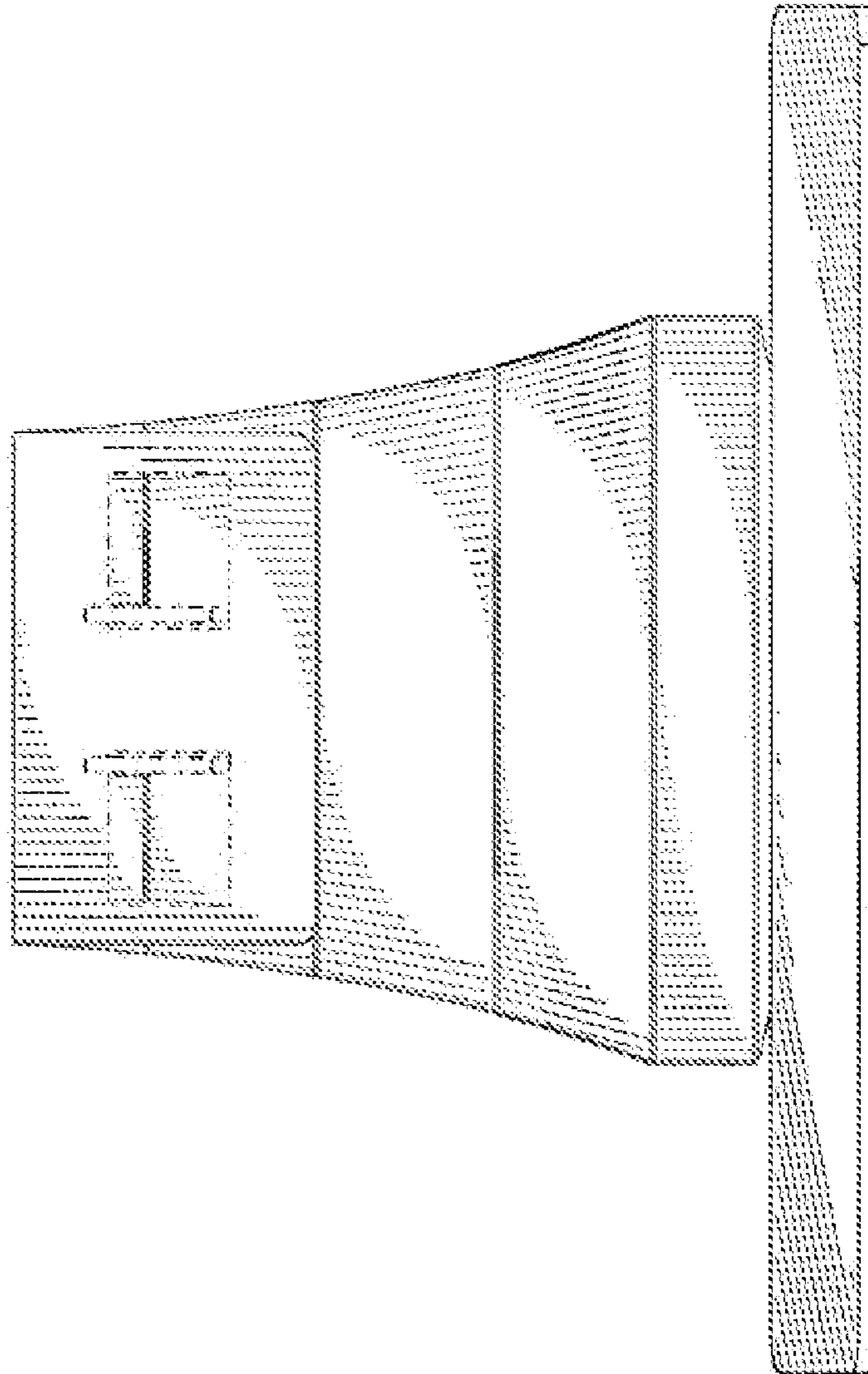


FIG. 2

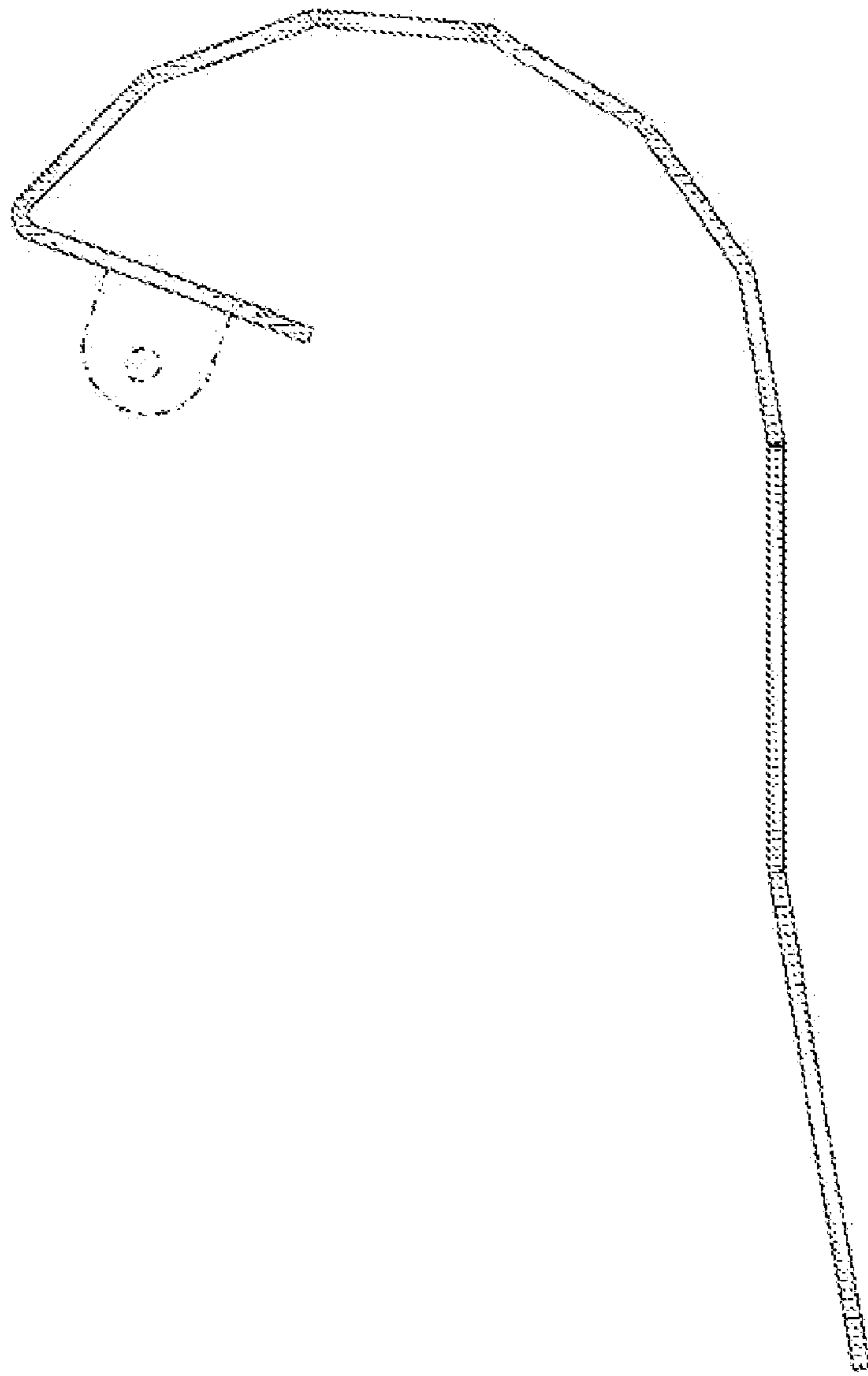


FIG. 3

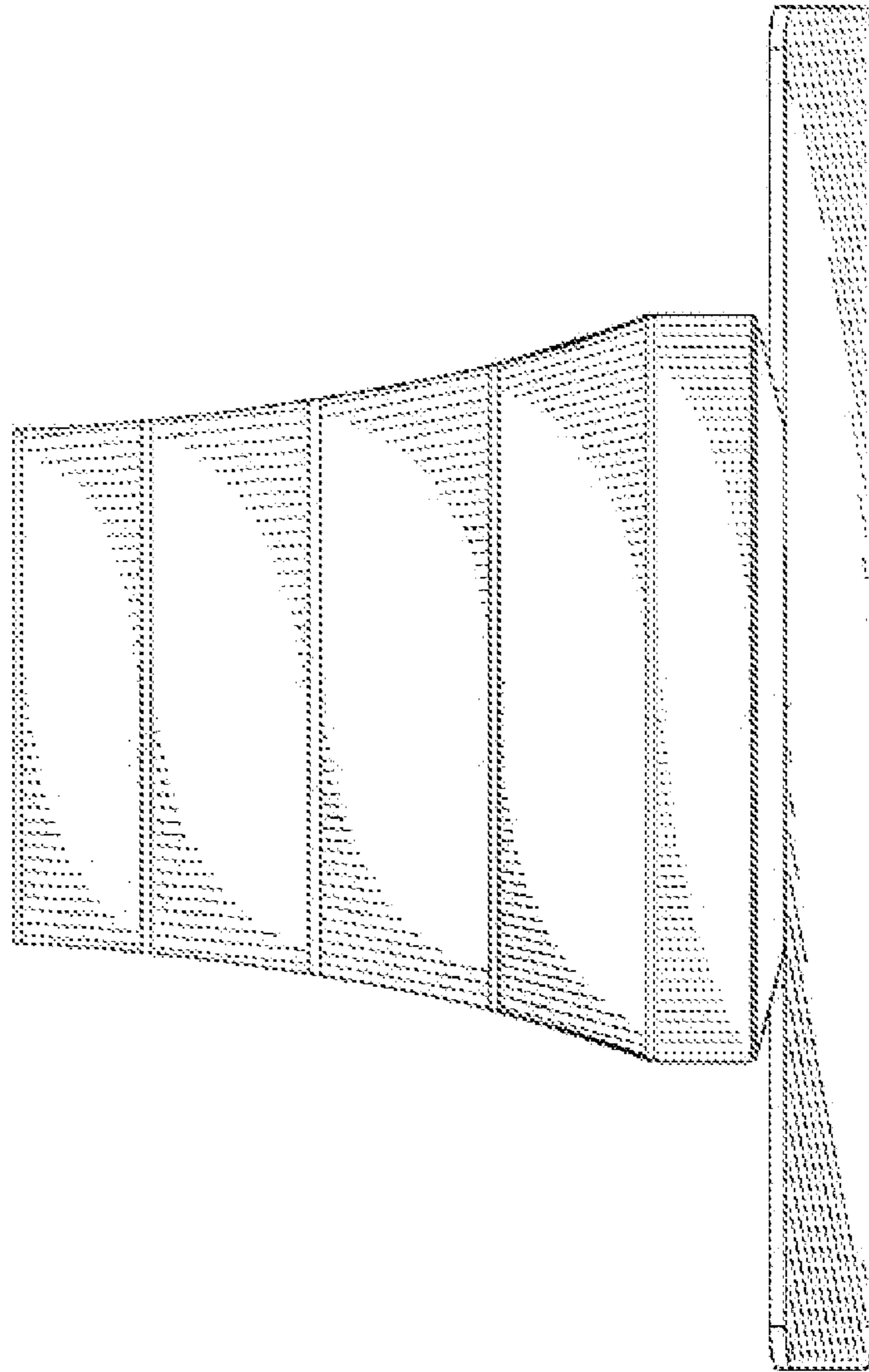


FIG. 4

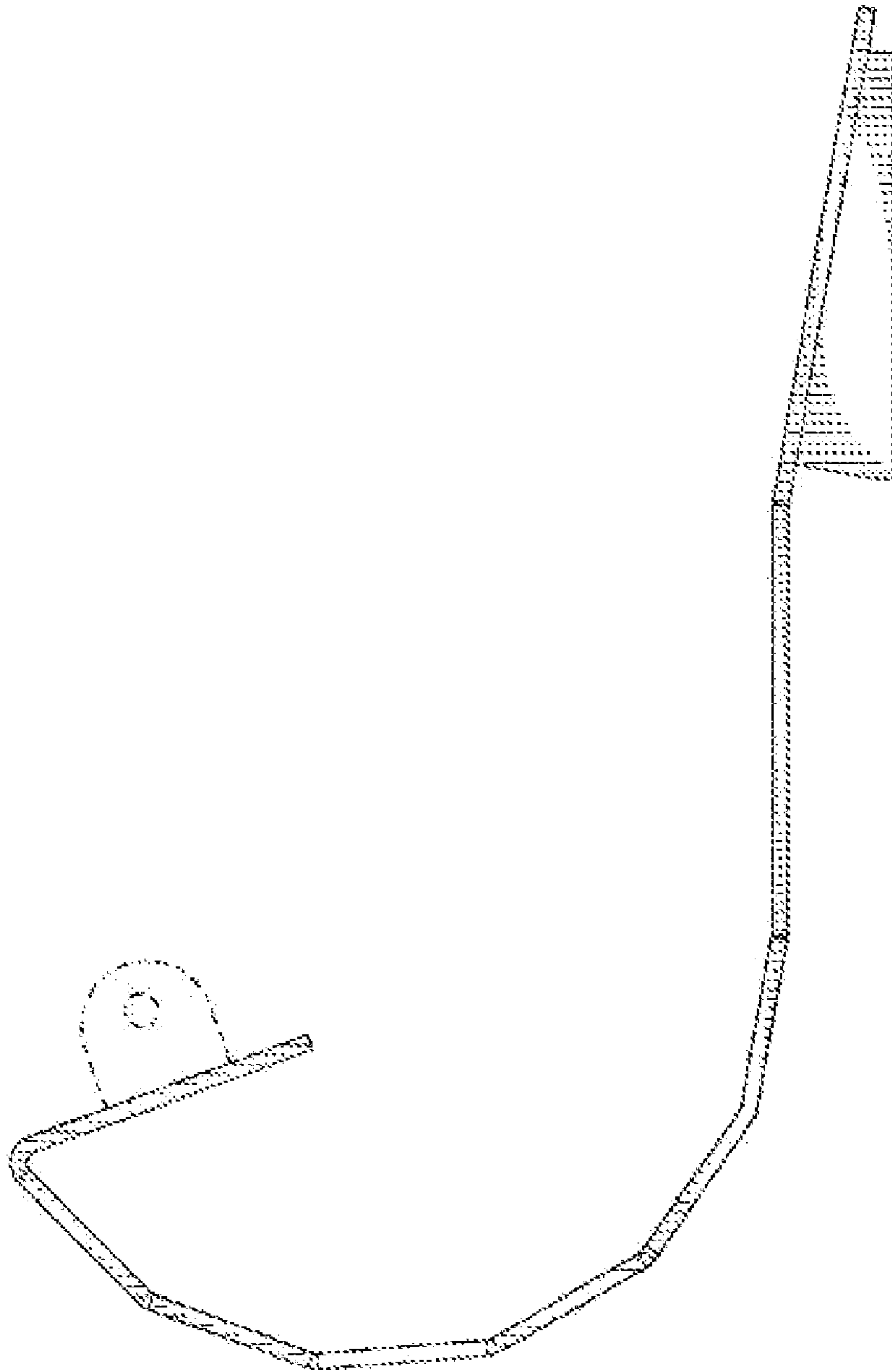


FIG. 5

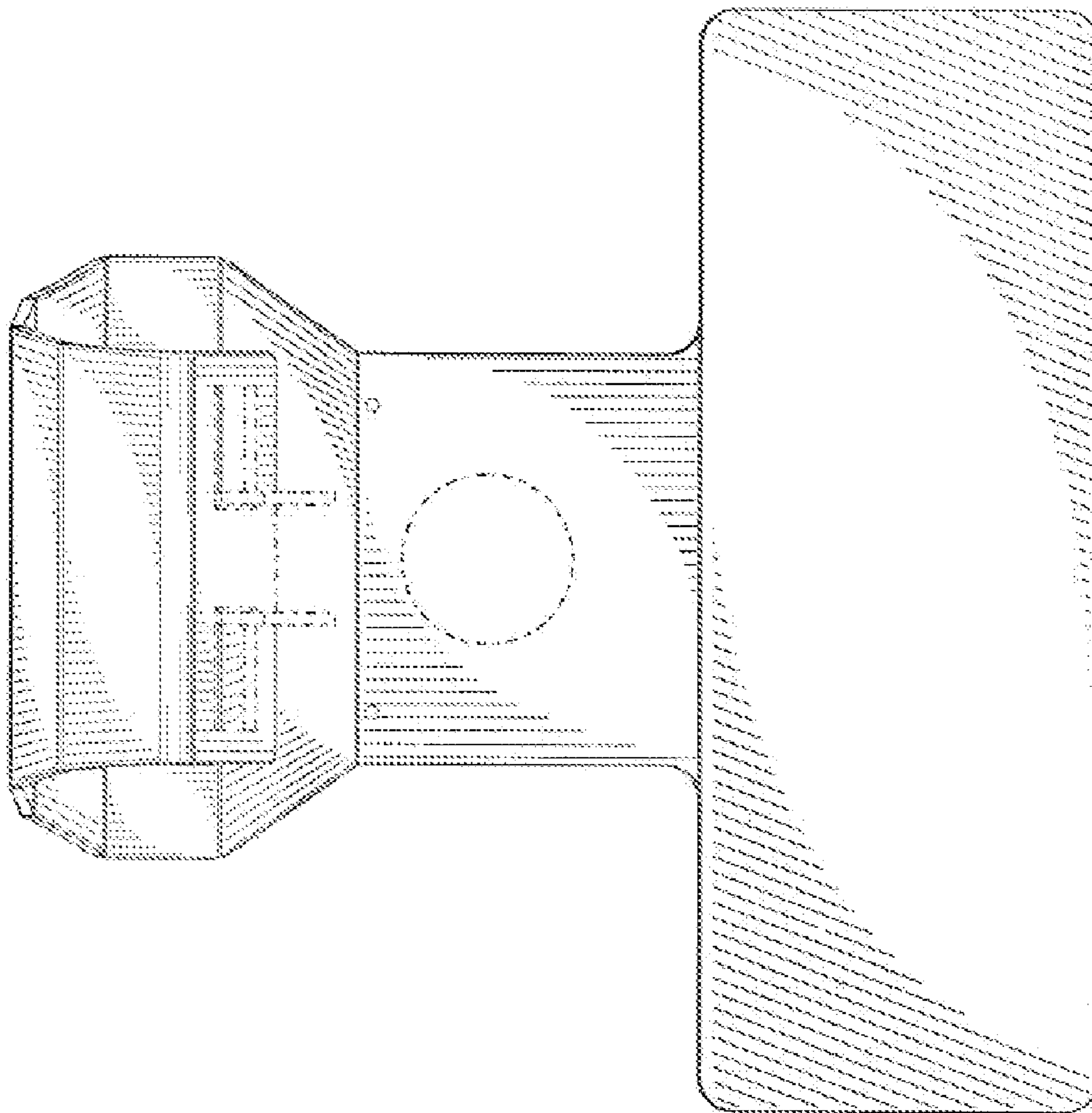


FIG. 6

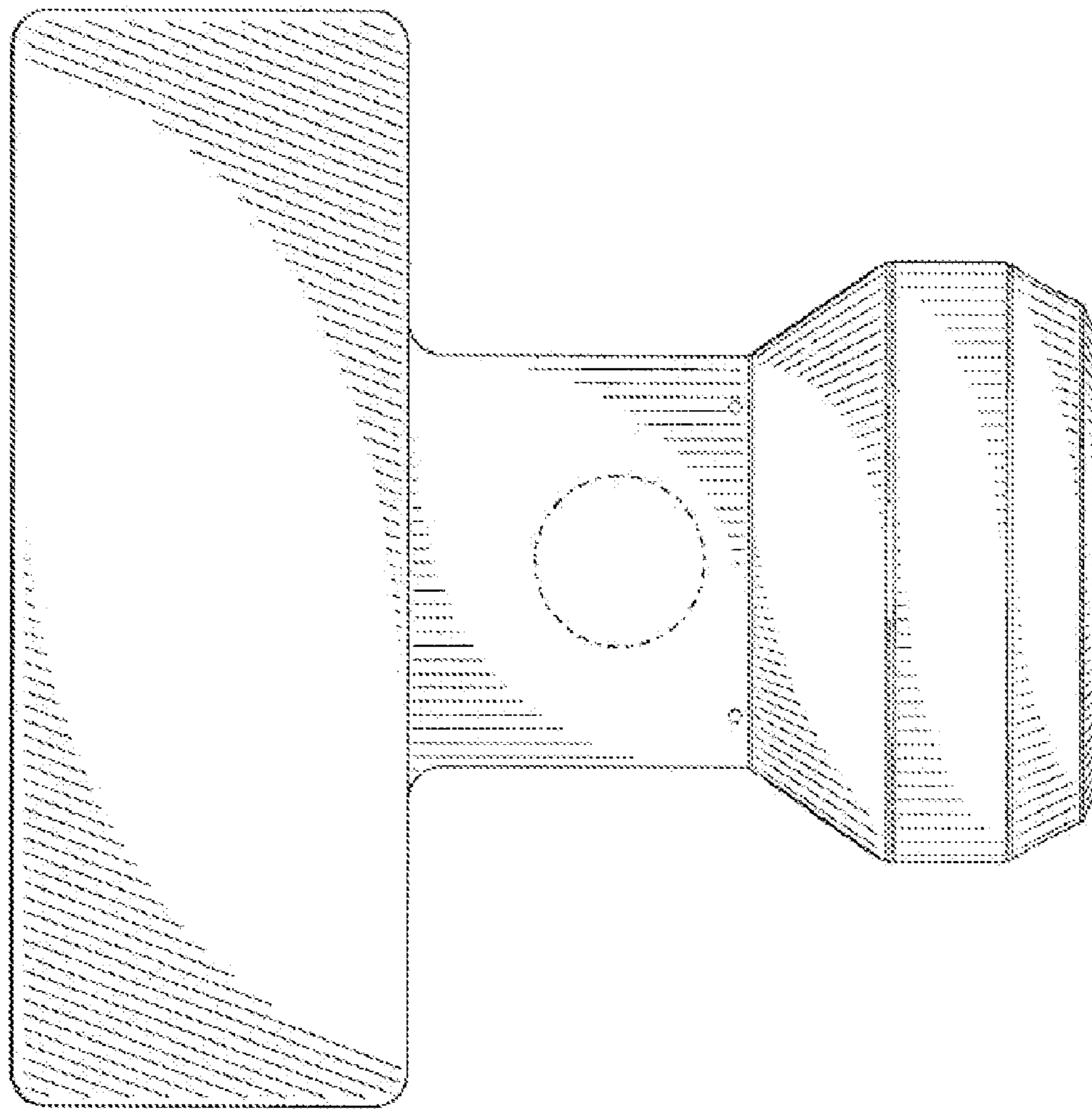


FIG. 7