



US00D587034S

(12) **United States Design Patent**  
**Martin et al.**

(10) **Patent No.:** **US D587,034 S**  
(45) **Date of Patent:** **\*\* Feb. 24, 2009**

(54) **CABINET**

**DESCRIPTION**

- (75) Inventors: **Kirt D. Martin**, Alto, MI (US); **David C. Eberlein**, Hudsonville, MI (US); **John A. Clark**, Kalamazoo, MI (US)
- (73) Assignee: **Steelcase Development Corporation**, Grand Rapids, MI (US)
- (\*\*) Term: **14 Years**
- (21) Appl. No.: **29/280,912**
- (22) Filed: **Jun. 8, 2007**
- (51) **LOC (9) Cl.** ..... **06-04**
- (52) **U.S. Cl.** ..... **D6/436**
- (58) **Field of Classification Search** ..... D6/397,  
D6/432, 436-440, 445-448, 470, 477-479;  
312/108, 204, 237, 249.4-249.5, 249.13,  
312/257.1, 330.1, 348.3  
See application file for complete search history.

(56) **References Cited**

**U.S. PATENT DOCUMENTS**

- 1,398,611 A 11/1921 Alstyn
- 1,639,387 A 8/1927 Seward

(Continued)

**OTHER PUBLICATIONS**

Herman Miller, Storage and Transport Solutions Brochure, 2001.  
e-bay.com, Flat File Storage Cabinet.

\* cited by examiner

*Primary Examiner*—Caron Veynar  
*Assistant Examiner*—Ricky Pham  
(74) *Attorney, Agent, or Firm*—Quarles & Brady, LLP

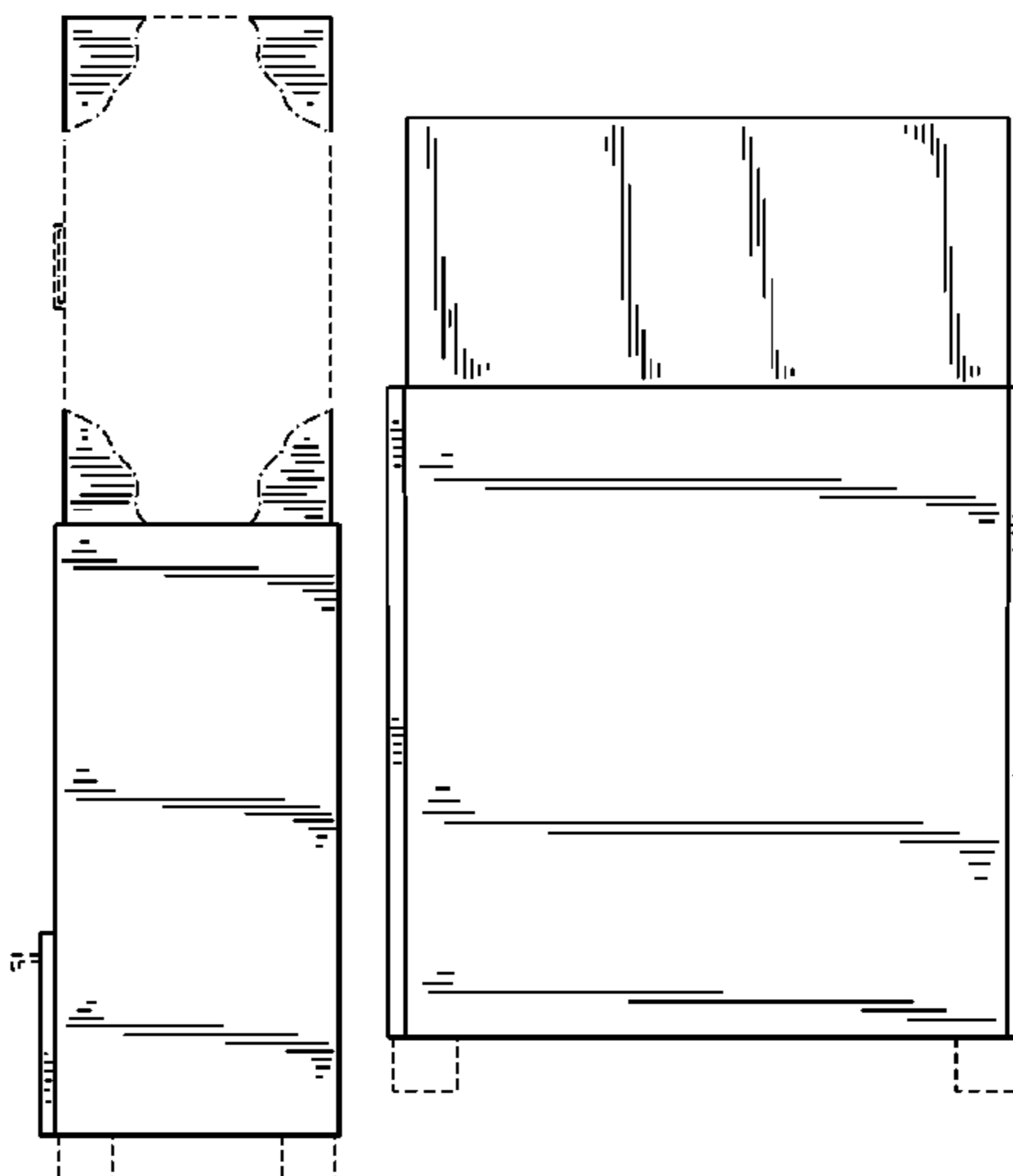
(57) **CLAIM**

The ornamental design for a cabinet, as shown and described.

FIG. 1 is a front, right, upper perspective view of a first embodiment of a cabinet embodying our new design;  
 FIG. 2 is a front elevational view thereof;  
 FIG. 3 is a top plan view thereof;  
 FIG. 4 is a right side elevational view thereof, the left side elevational view being a mirror image thereof;  
 FIG. 5 is a rear elevational view thereof;  
 FIG. 6 is a front, right, upper perspective view of a second embodiment of a cabinet embodying our new design;  
 FIG. 7 is a front elevational view thereof;  
 FIG. 8 is a top plan view thereof;  
 FIG. 9 is a right side elevational view thereof, the left side elevational view being a mirror image thereof;  
 FIG. 10 is a rear elevational view thereof;  
 FIG. 11 is a front, right, upper perspective view of a third embodiment of a cabinet embodying our new design, the right side elevational view being identical to the view of FIG. 4, the left side elevational view being a mirror image of the view of FIG. 4;  
 FIG. 12 is a front elevational view thereof;  
 FIG. 13 is a top plan view thereof;  
 FIG. 14 is a rear elevational view thereof;  
 FIG. 15 is a front, right, upper perspective view of a fourth embodiment of a cabinet embodying our new design;  
 FIG. 16 is a front elevational view thereof;  
 FIG. 17 is a top plan view thereof;  
 FIG. 18 is a right side elevational view thereof, the left side elevational view being a mirror image thereof; and,  
 FIG. 19 is a rear elevational view thereof.

The broken lines shown in the drawings are for illustrative purposes only and form no part of the claimed design.

**1 Claim, 15 Drawing Sheets**



# US D587,034 S

Page 2

---

## U.S. PATENT DOCUMENTS

1,669,185	A	5/1928	Beige	4,563,047	A	1/1986	Braunschweig et al.
1,946,532	A	2/1934	Hatch	4,620,489	A	11/1986	Albano
2,103,885	A	12/1937	Whalen	4,669,790	A	6/1987	Briggs
3,181,922	A	5/1965	McBean	4,934,645	A	6/1990	Breslow
3,372,966	A	3/1968	Duy	D364,051	S *	11/1995	Berry et al. .... D6/436
3,441,331	A	4/1969	Kesling	5,483,902	A	1/1996	Grosch
3,712,697	A	1/1973	Kelley et al.	5,702,115	A	12/1997	Pool
3,716,282	A	2/1973	Propst et al.	D391,782	S *	3/1998	Neufeld ..... D6/436
3,866,993	A	2/1975	Dean et al.	5,788,094	A	8/1998	Kim et al.
4,140,356	A	2/1979	Chervanak	5,970,887	A	10/1999	Hardy
4,389,078	A	6/1983	Streit	D531,834	S *	11/2006	Baade ..... D6/436
4,502,741	A	3/1985	DeVries et al.	D534,009	S *	12/2006	Juneau ..... D6/436
				D568,631	S *	5/2008	Martin et al. .... D6/436

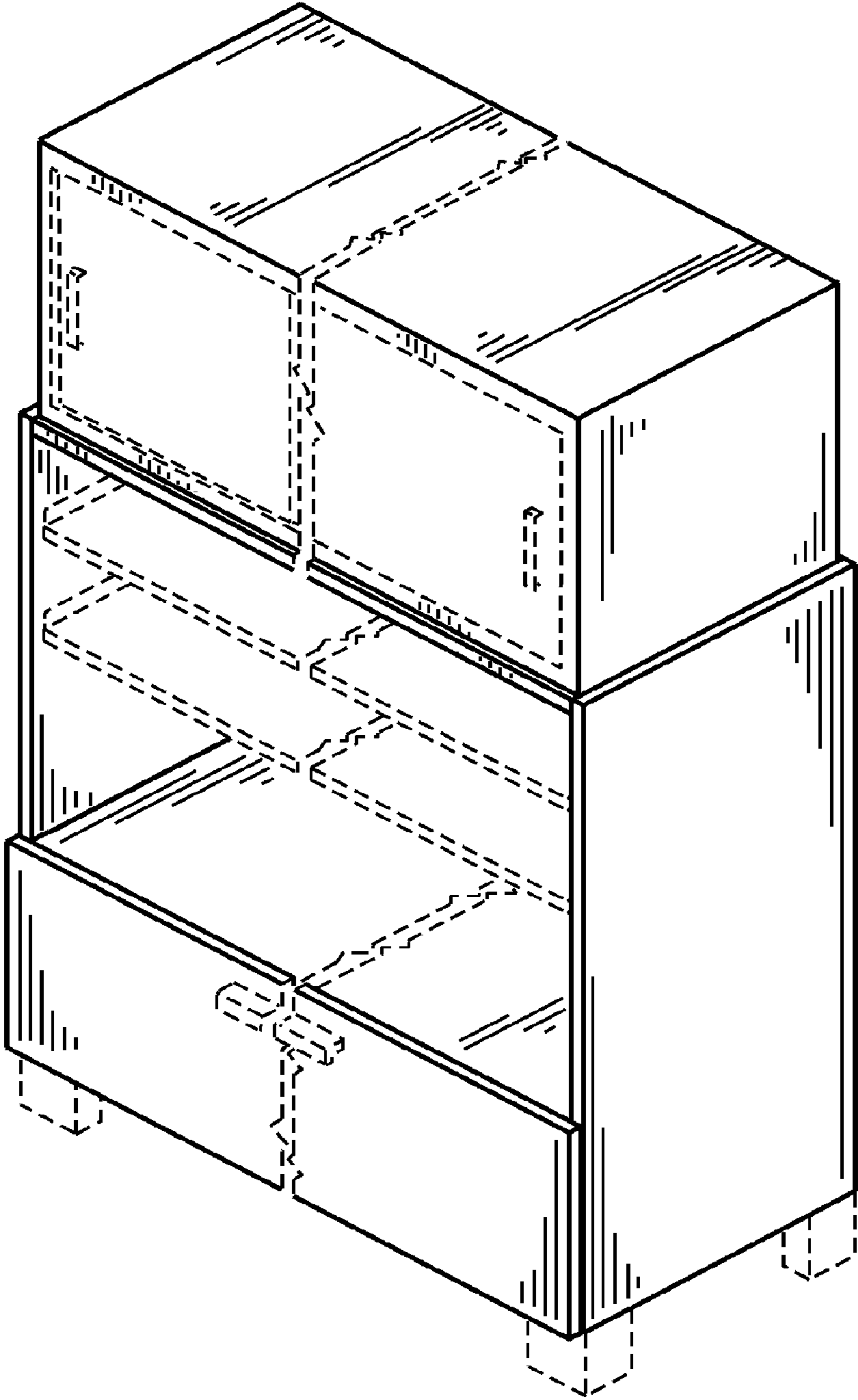


FIG. 1

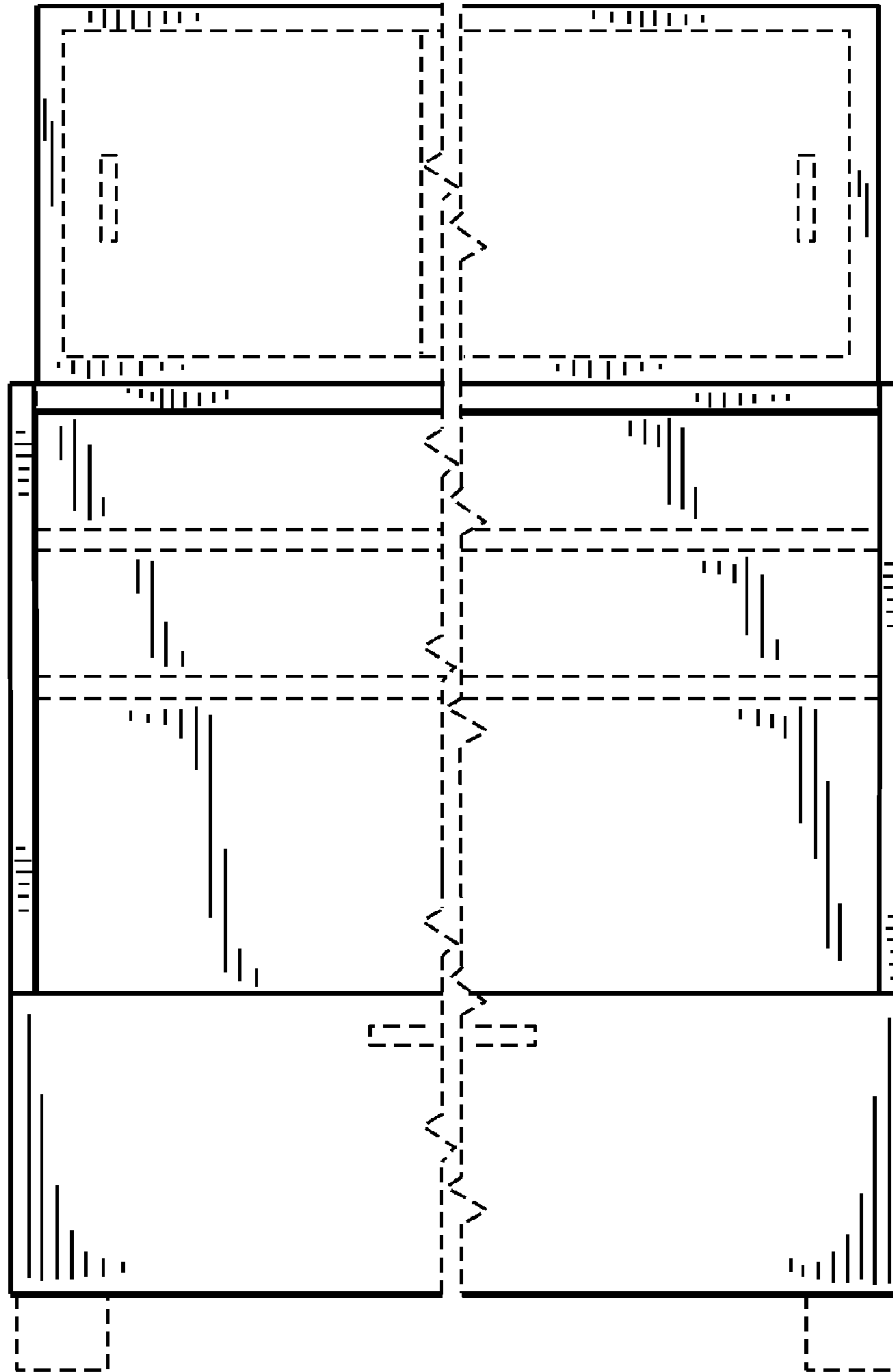


FIG. 2

FIG. 3

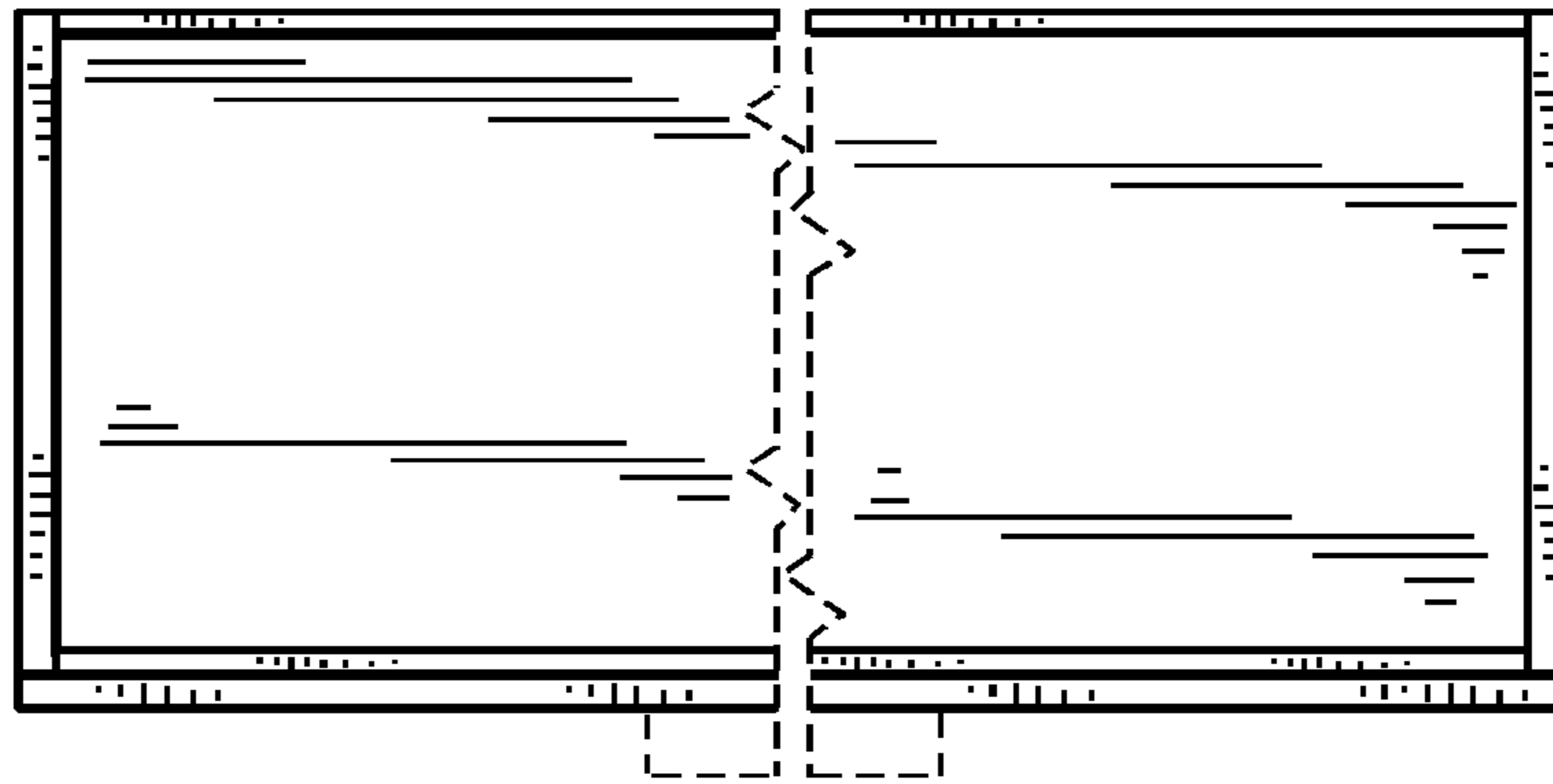


FIG. 4



FIG. 5

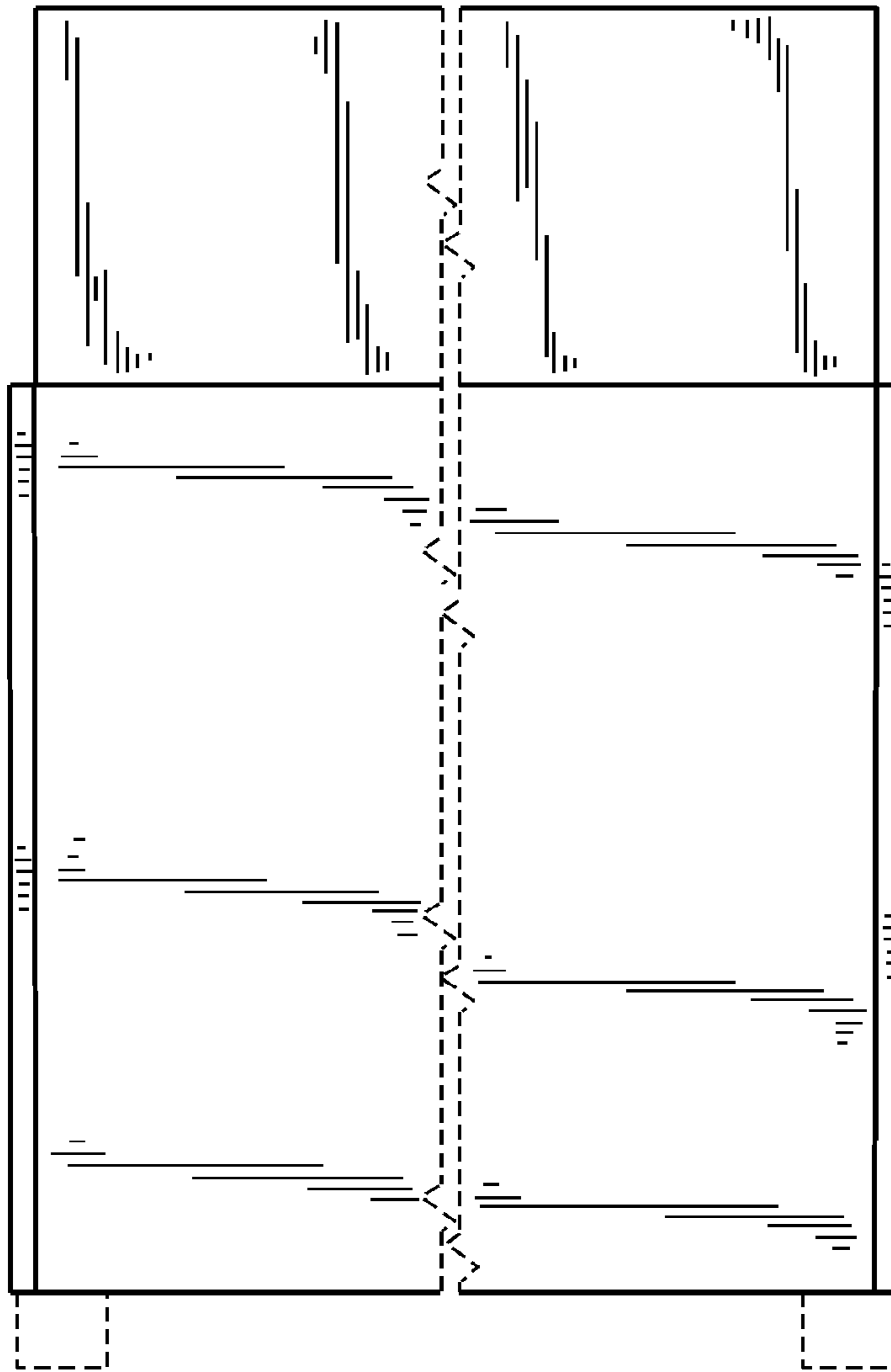


FIG. 6

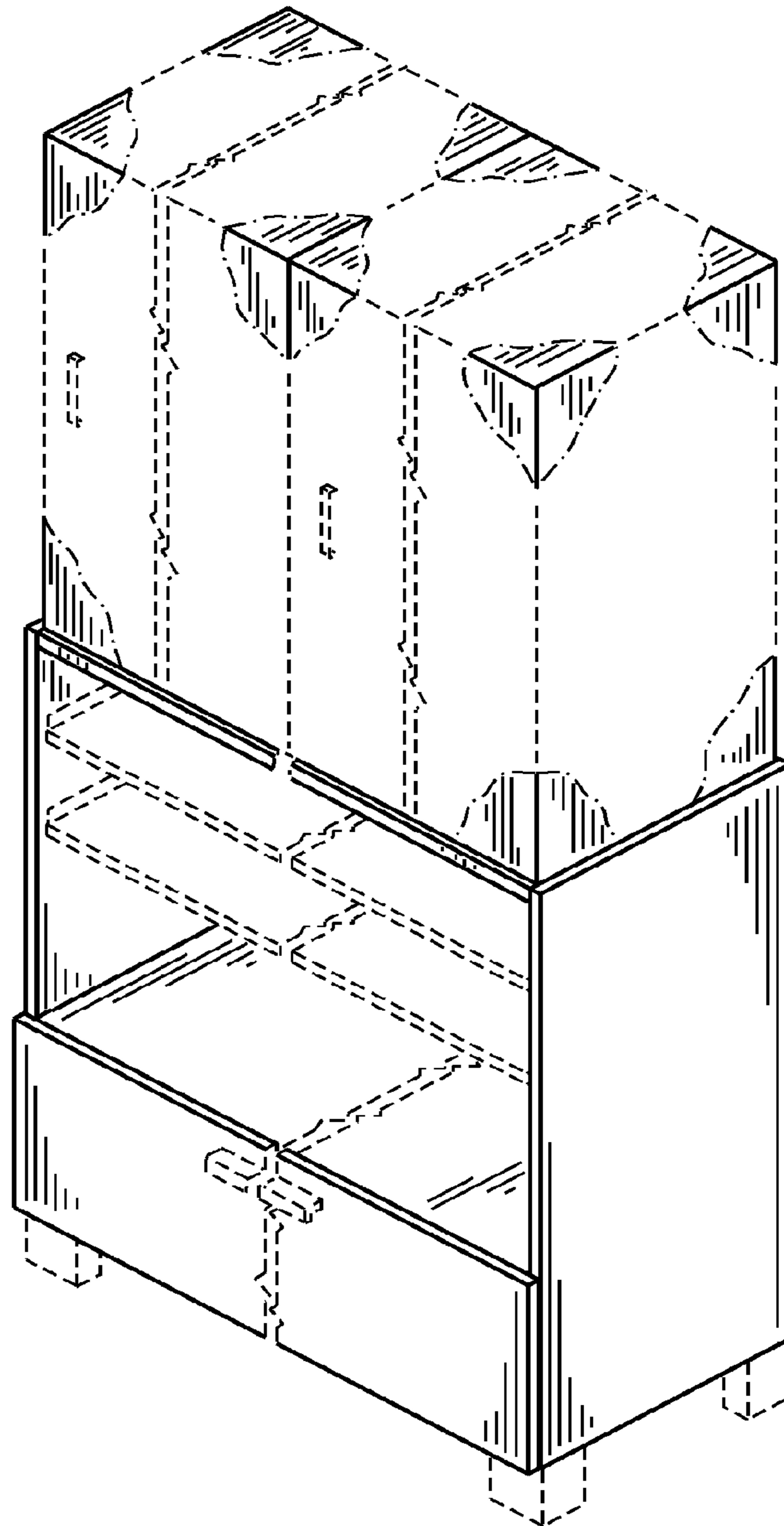


FIG. 7

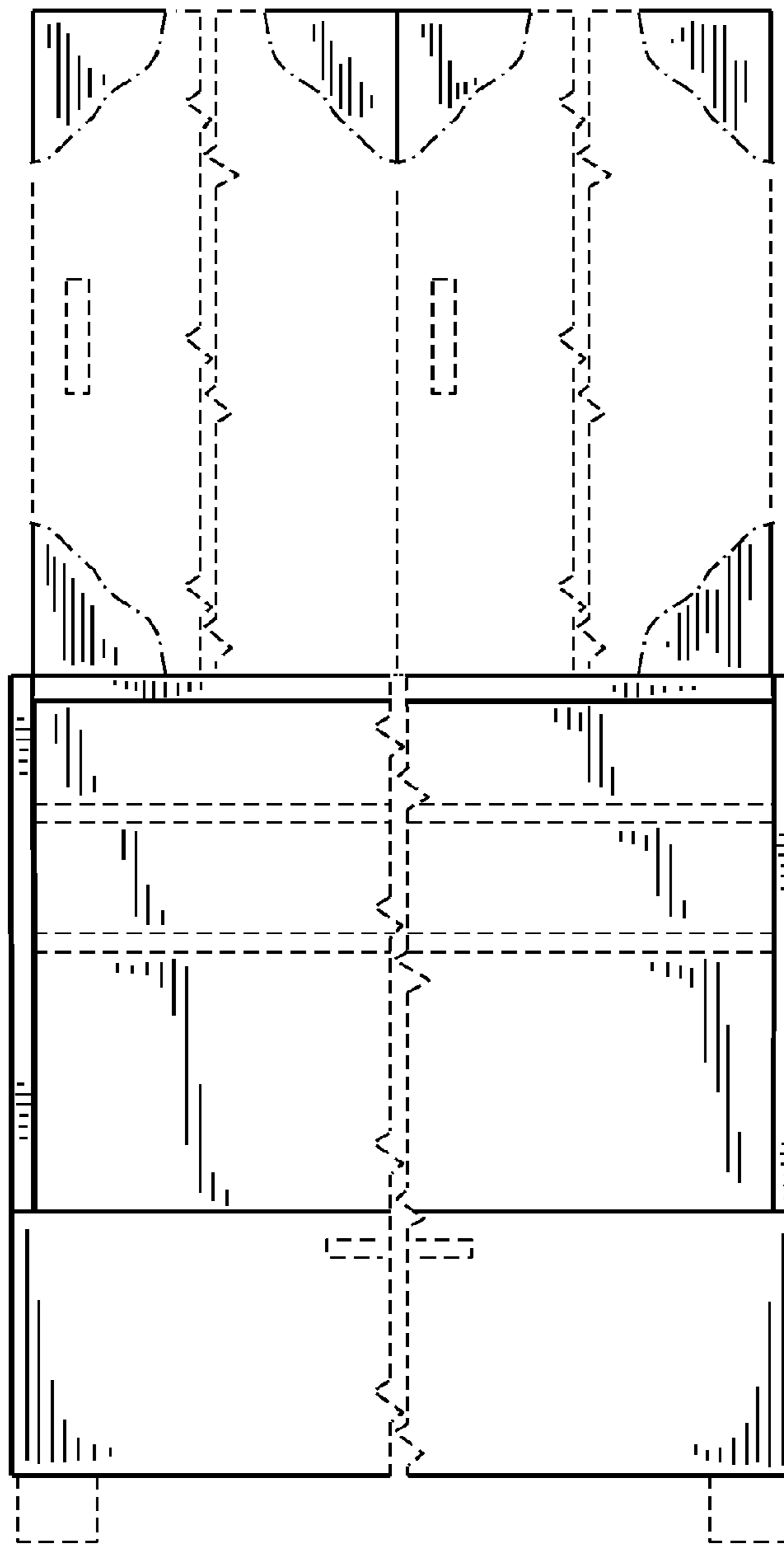




FIG. 8

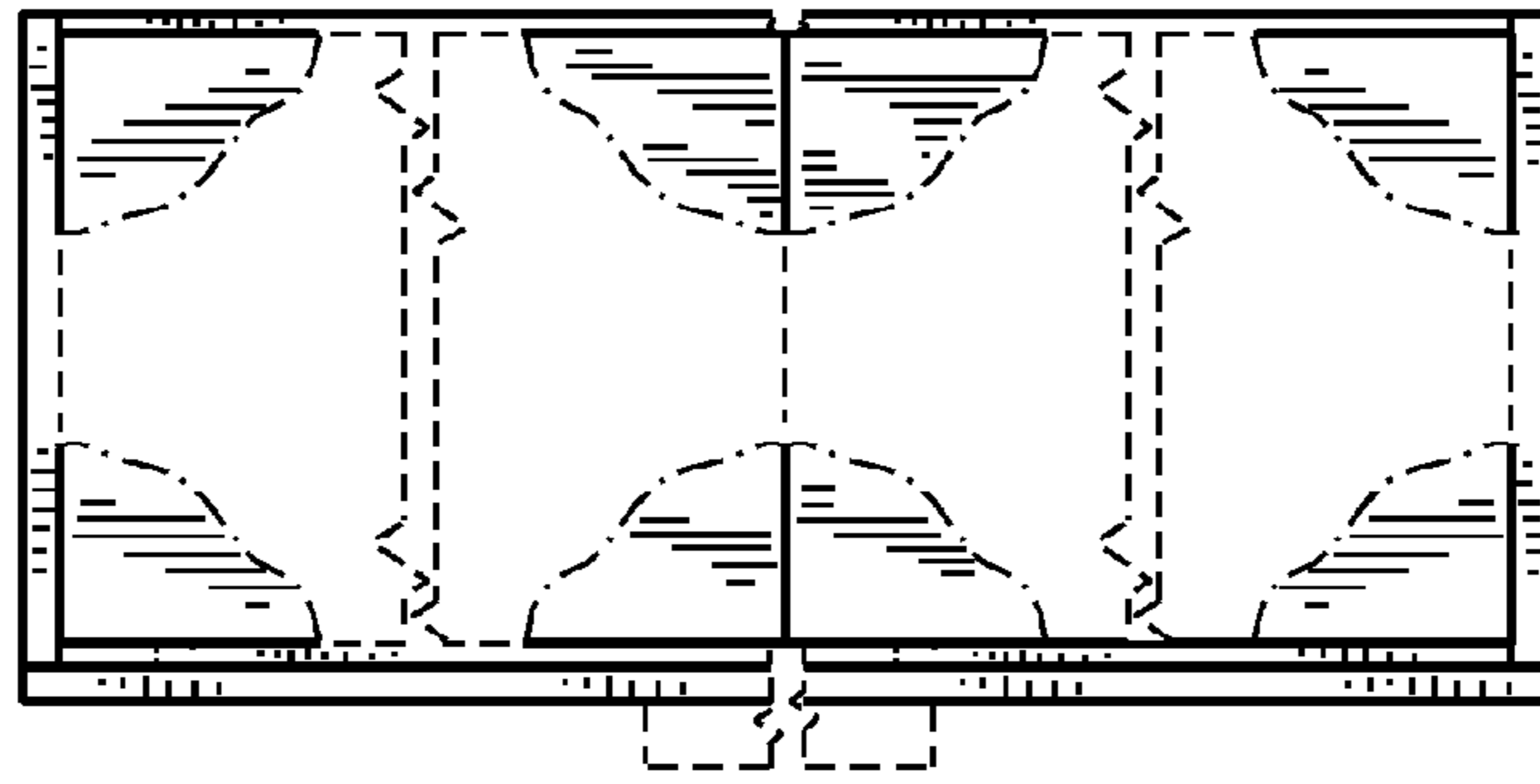


FIG. 9

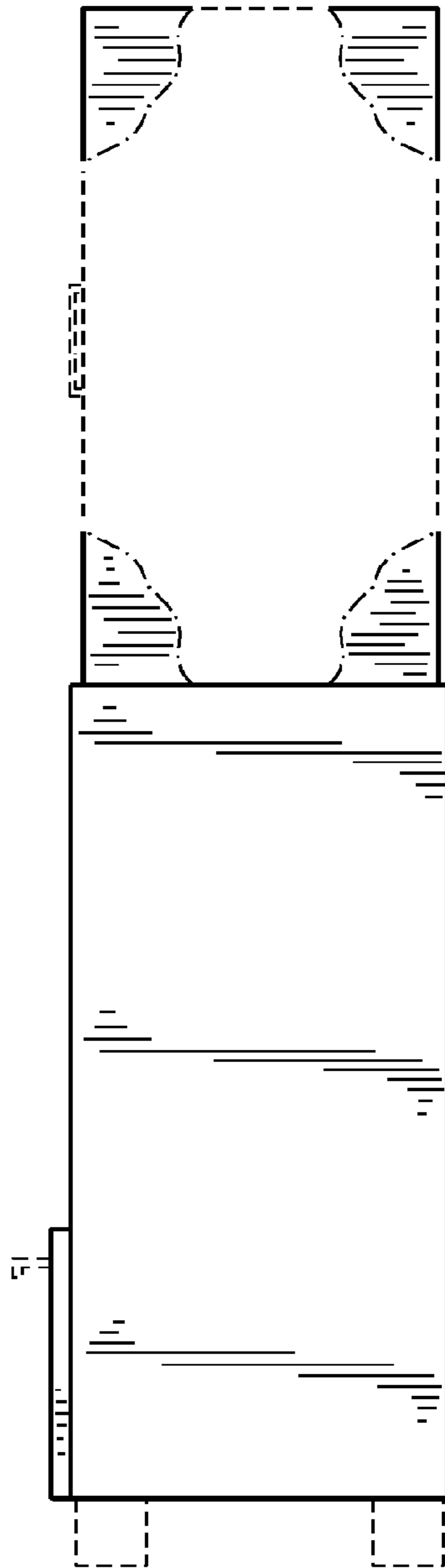


FIG. 10

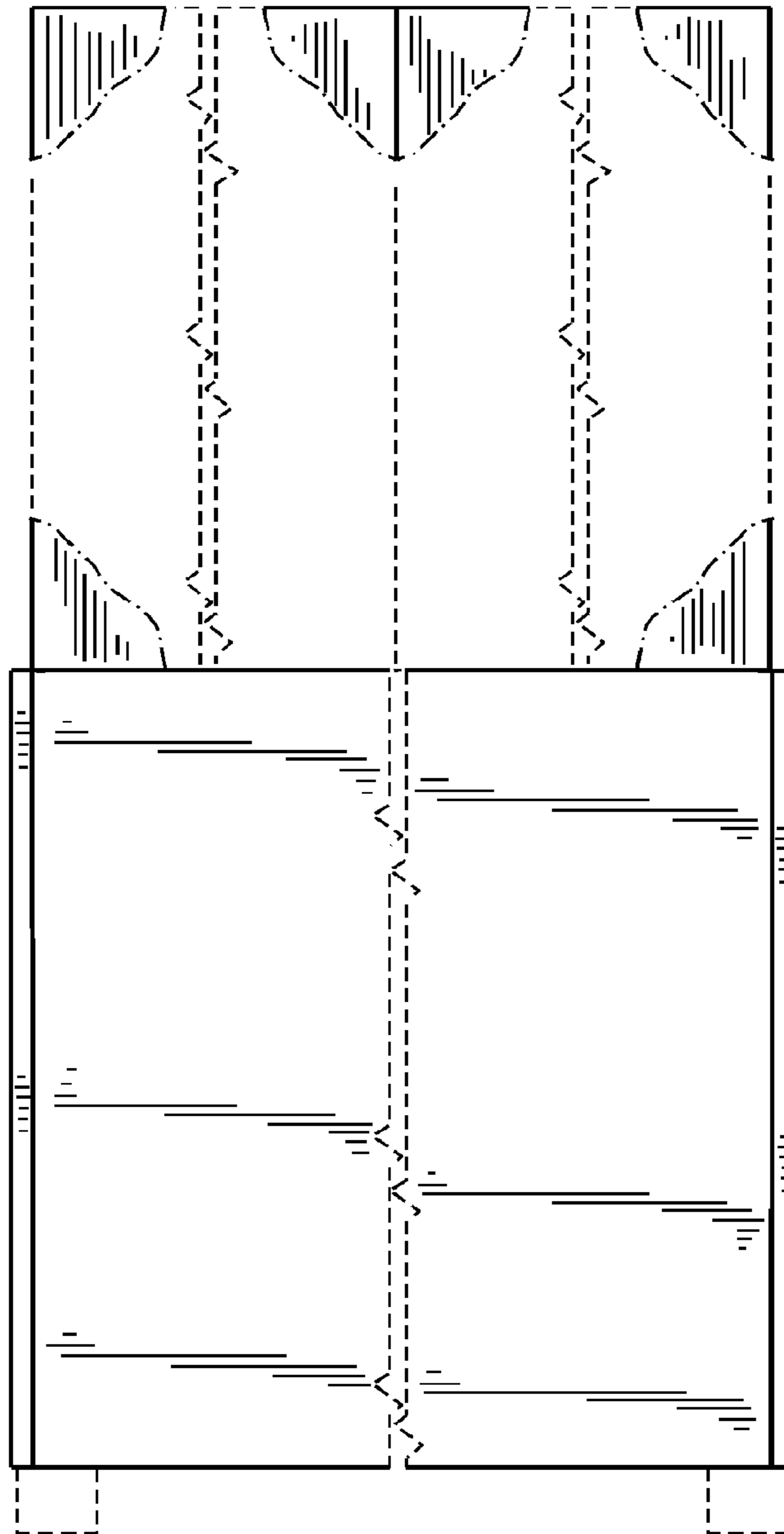


FIG. 11

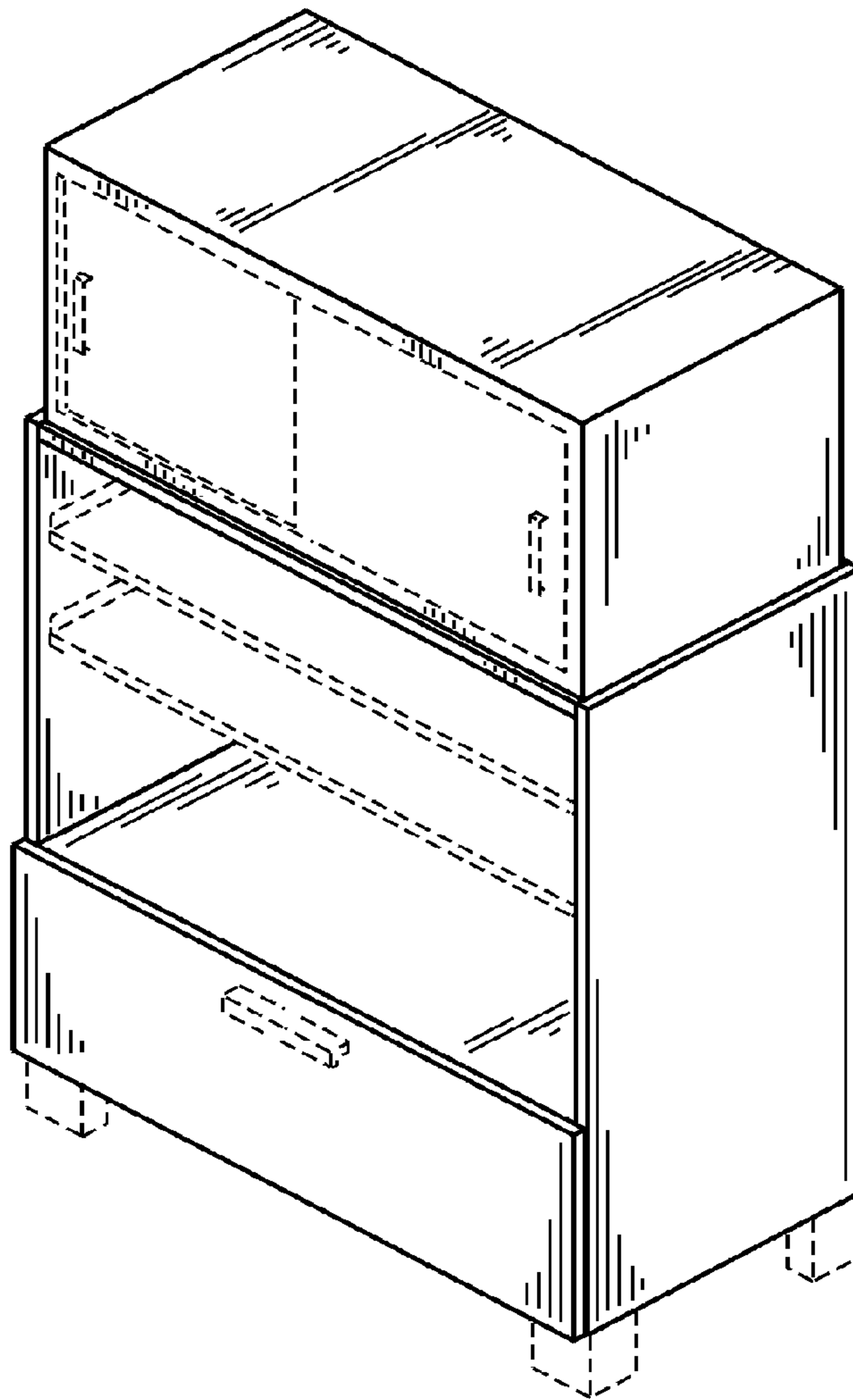


FIG. 12

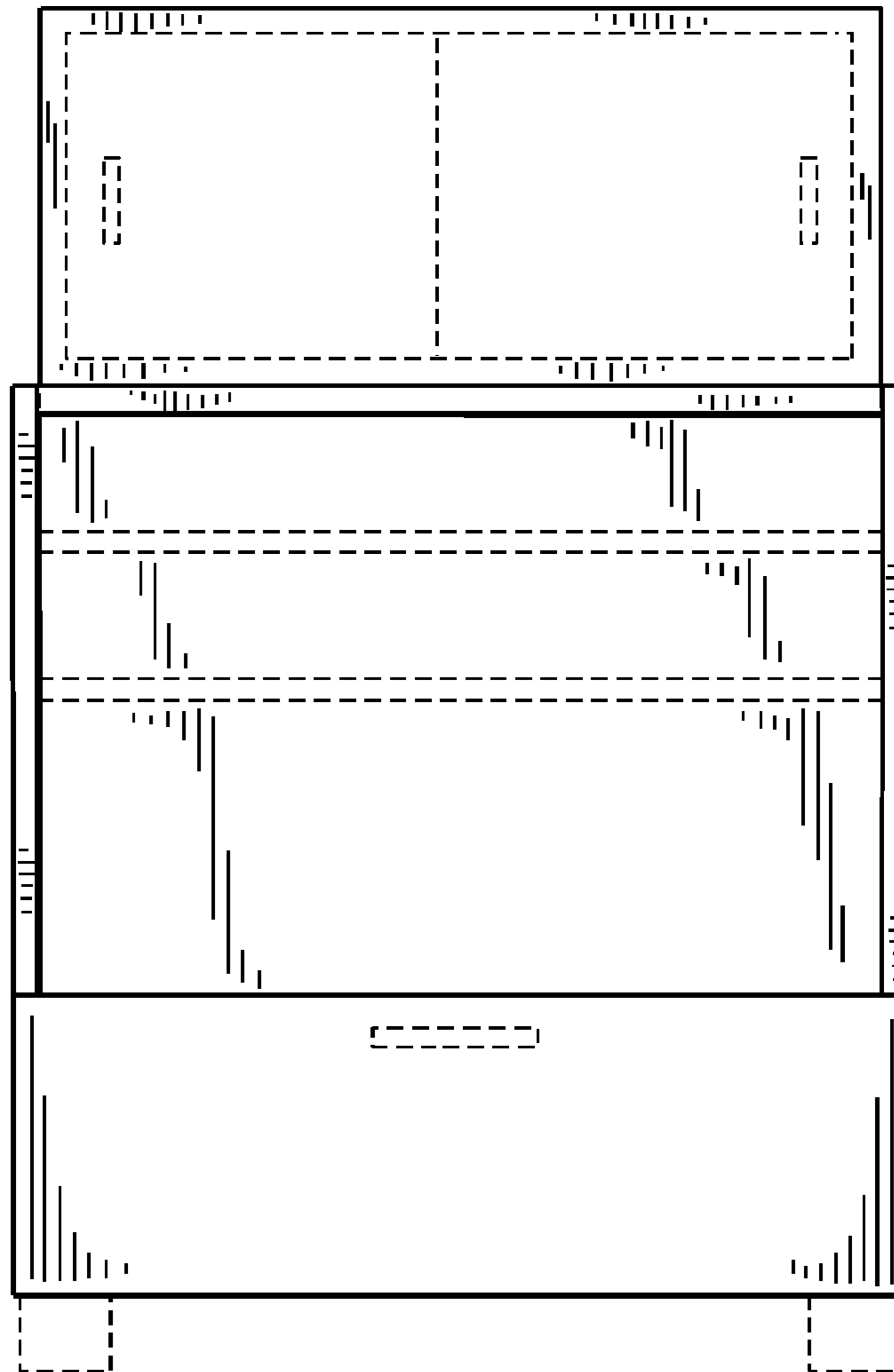


FIG. 13

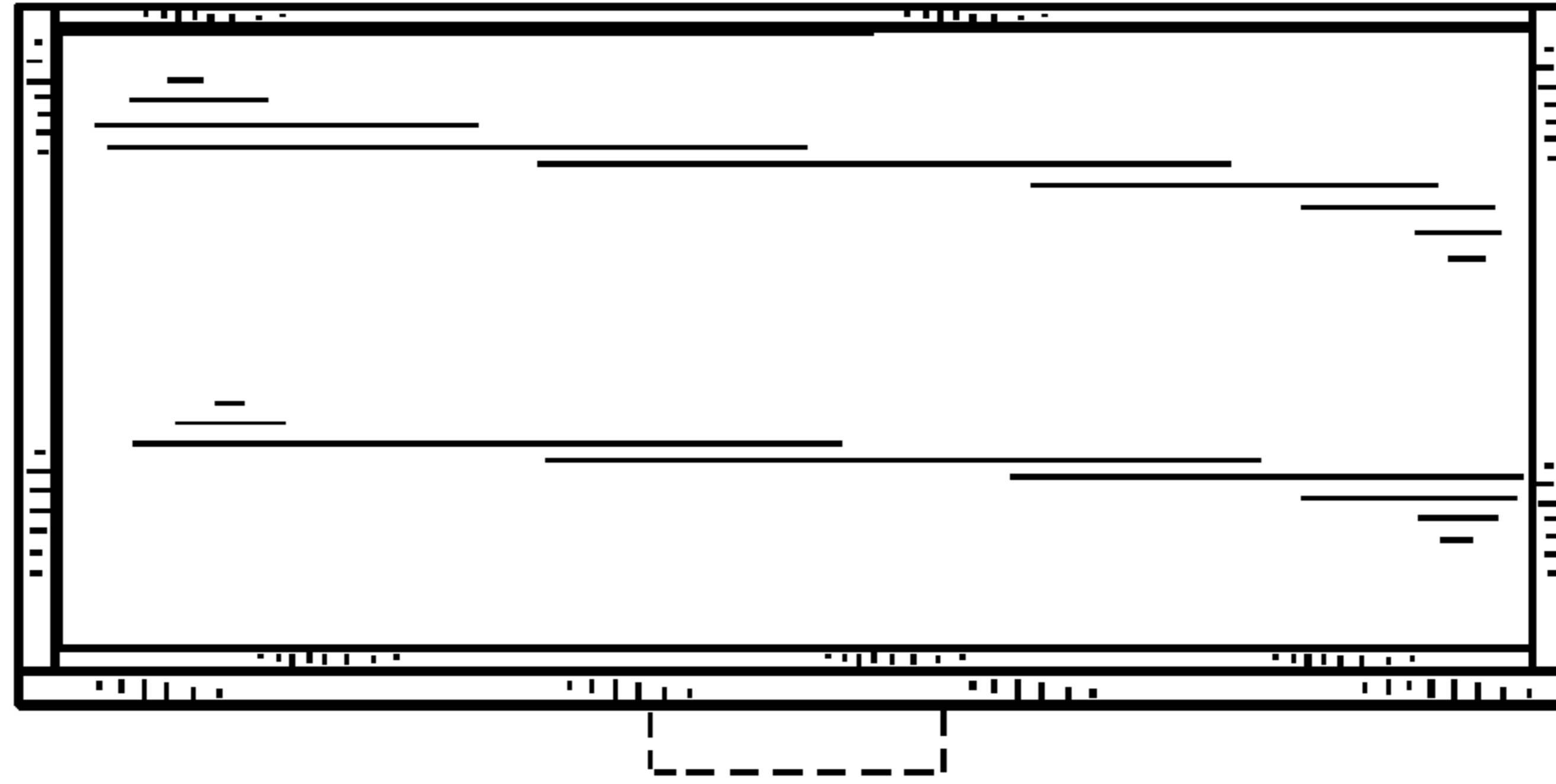


FIG. 14

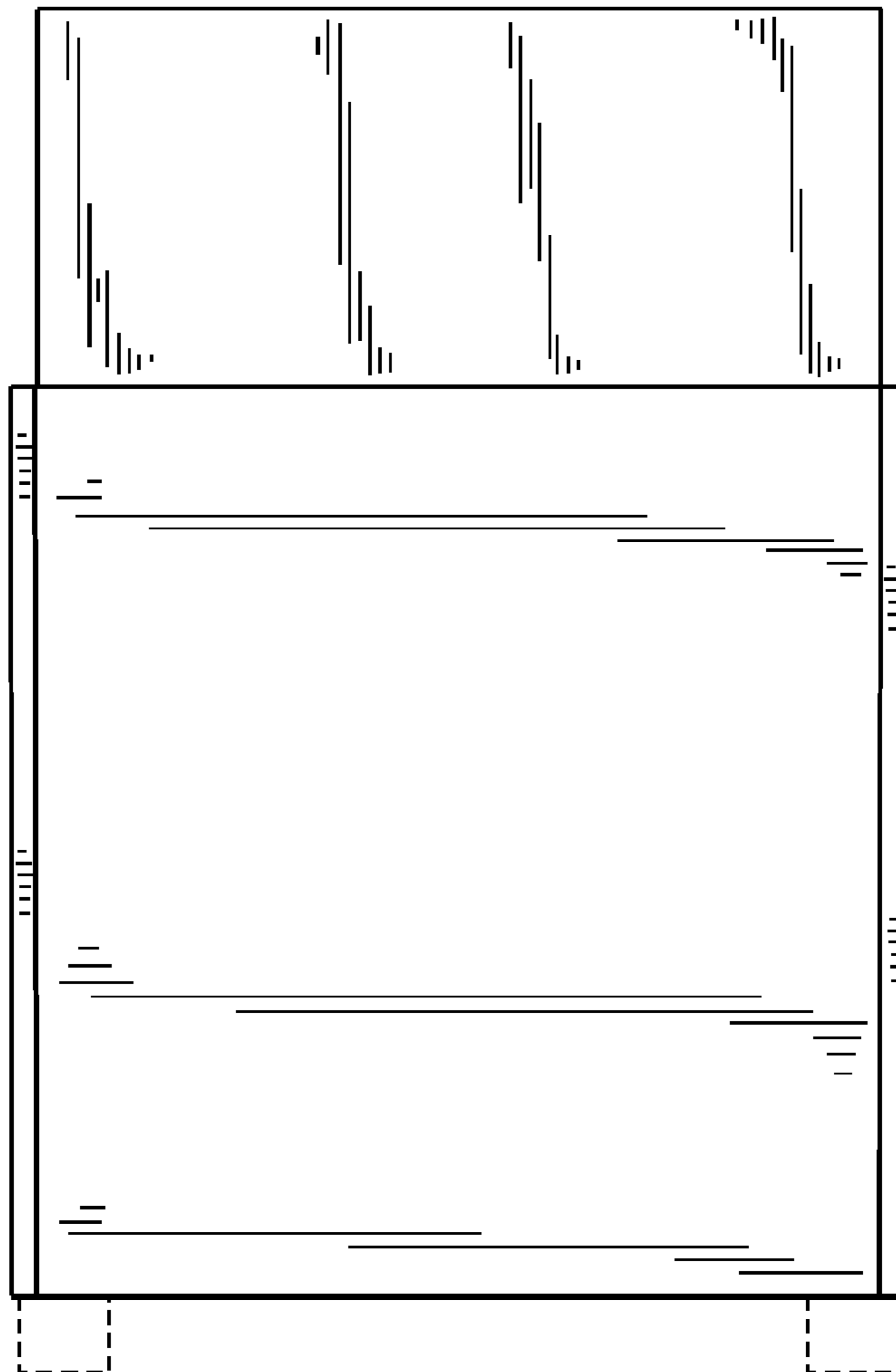


FIG. 15

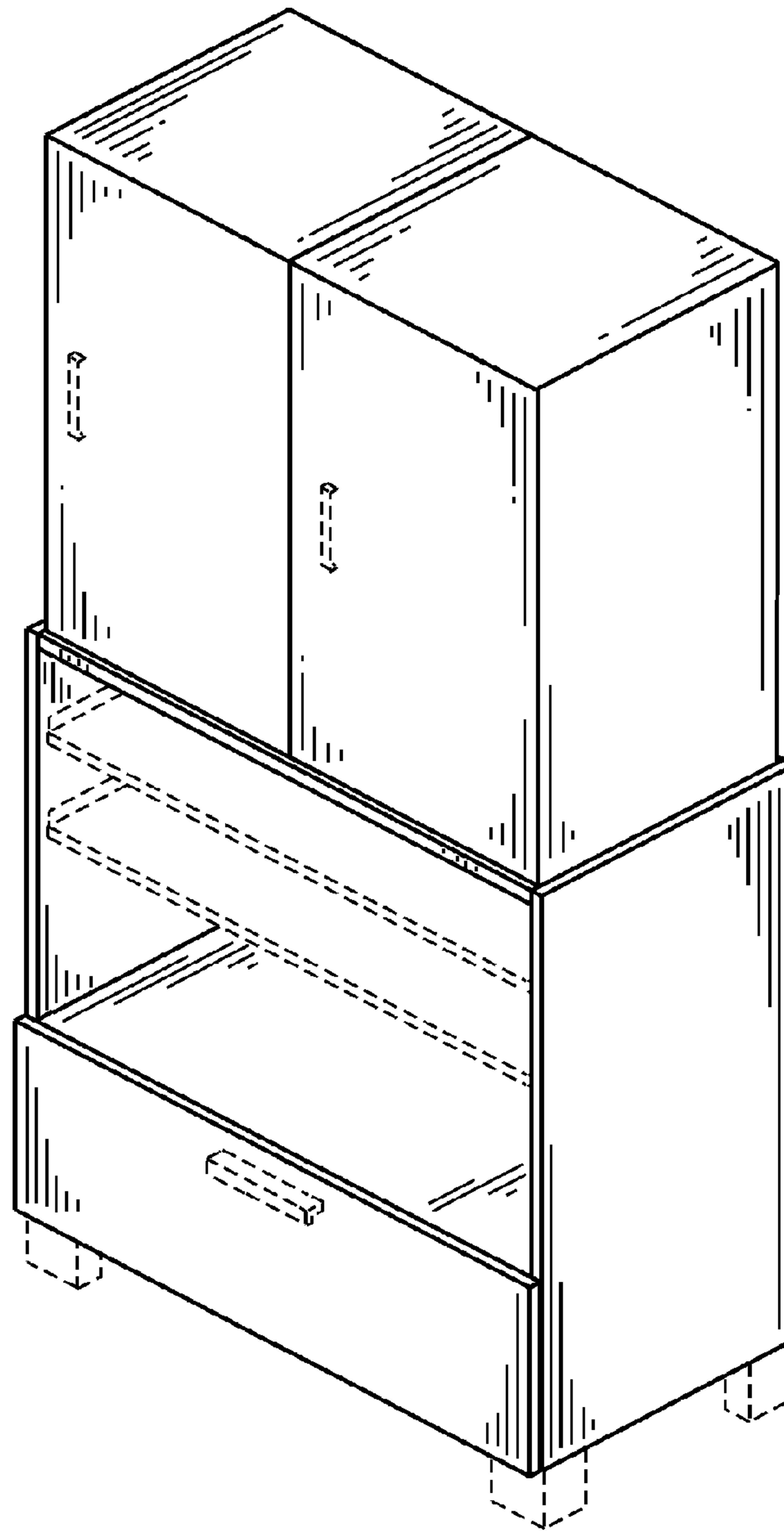


FIG. 16

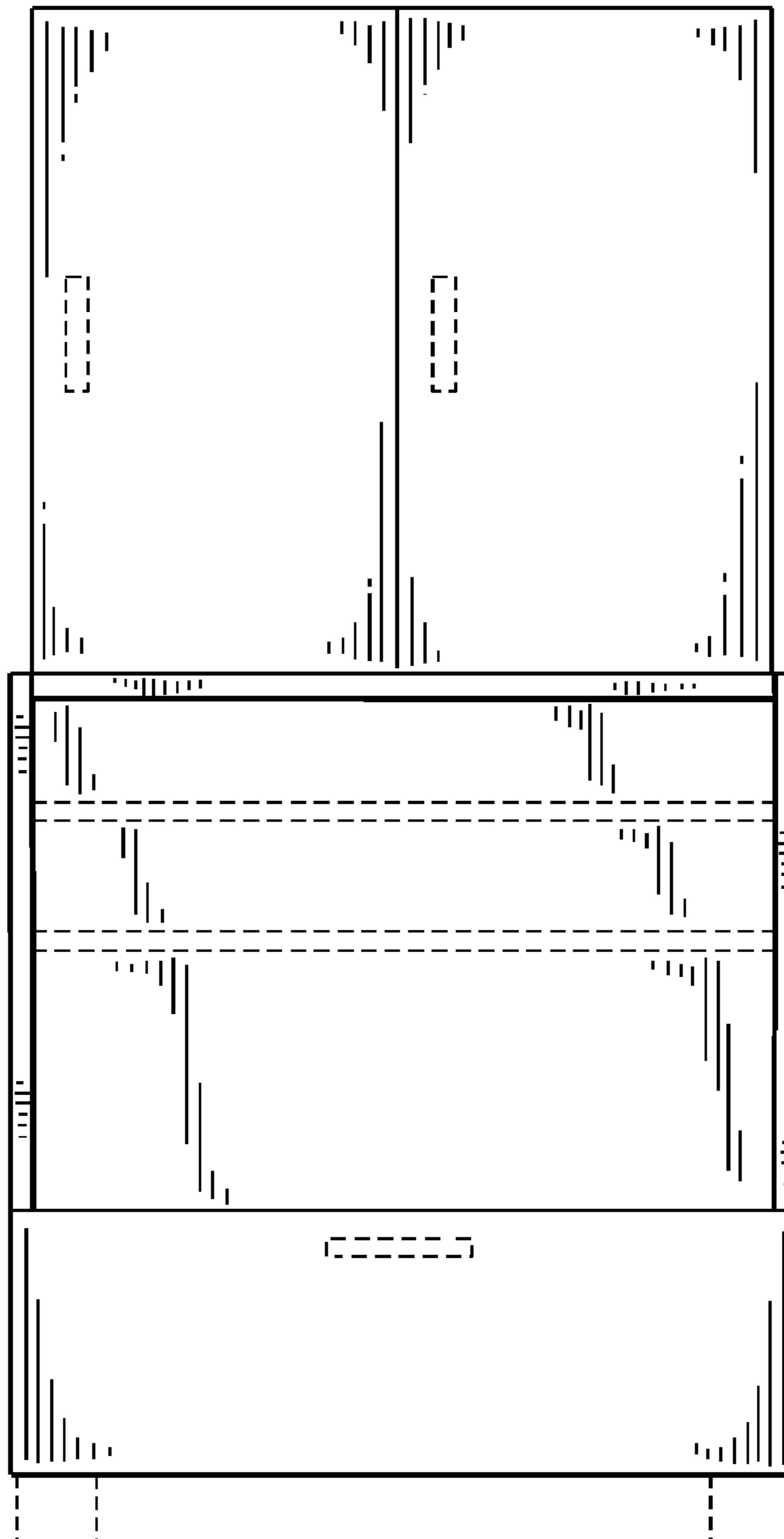


FIG. 17

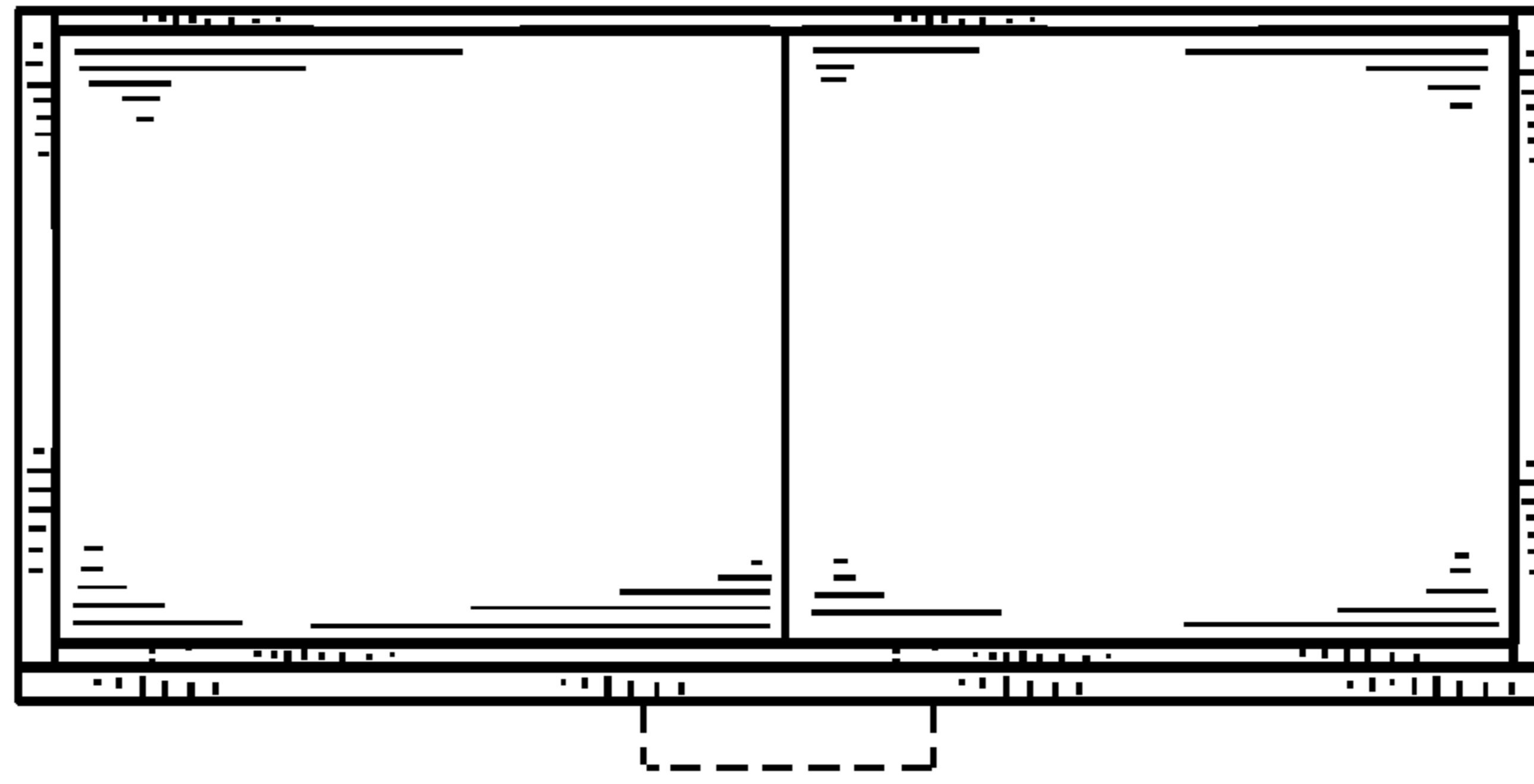


FIG. 18

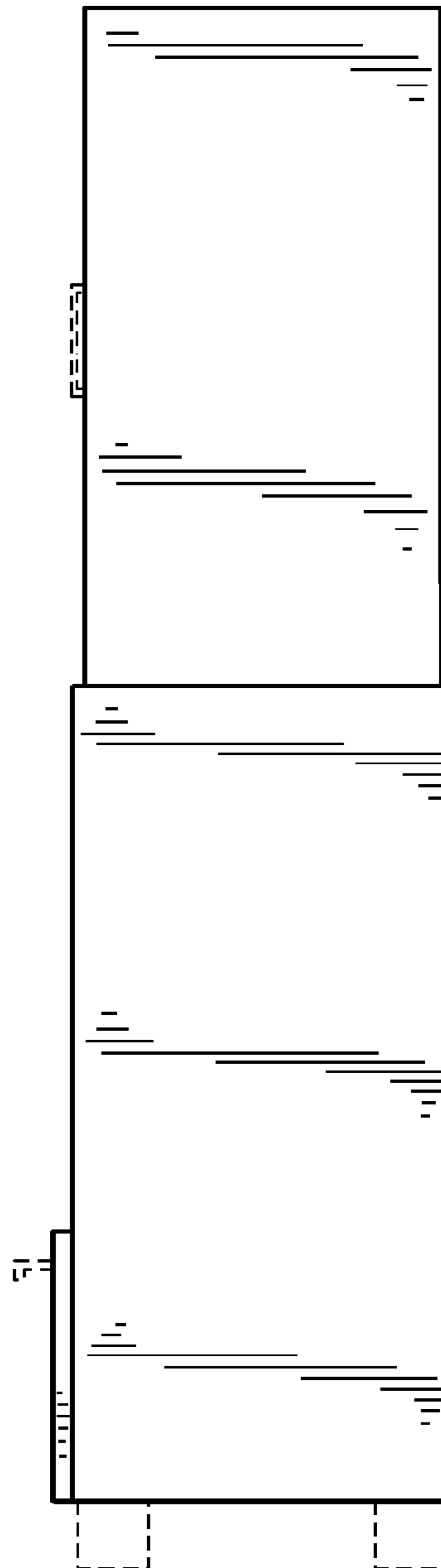




FIG. 19

