



US00D587033S

(12) **United States Design Patent**
Martin et al.

(10) **Patent No.:** **US D587,033 S**

(45) **Date of Patent:** **** *Feb. 24, 2009**

(54) **CABINET**

(75) Inventors: **Kirt D. Martin**, Alto, MI (US); **David C. Eberlein**, Hudsonville, MI (US); **John A. Clark**, Kalamazoo, MI (US)

(73) Assignee: **Steelcase Development Corporation**, Grand Rapids, MI (US)

(*) Notice: This patent is subject to a terminal disclaimer.

(**) Term: **14 Years**

(21) Appl. No.: **29/280,666**

(22) Filed: **Jun. 4, 2007**

(51) **LOC (9) Cl.** **06-04**

(52) **U.S. Cl.** **D6/436**

(58) **Field of Classification Search** D6/397,
D6/425-426, 429, 432-448, 470, 474, 477-480,
D6/484; 312/108, 114, 138.1, 204, 216,
312/234.1, 237, 249.4-249.5, 249.13, 257.1,
312/278-279, 330.1, 334.36, 348.3

See application file for complete search history.

(56) **References Cited**

U.S. PATENT DOCUMENTS

1,398,611 A 11/1921 Alstyn
1,639,387 A 8/1927 Seward

(Continued)

OTHER PUBLICATIONS

Herman Miller, Storage and Transport Solutions Brochure, 2001.
e-bay.com, Flat File Storage Cabinet.

Primary Examiner—Caron Veynar

Assistant Examiner—Ricky Pham

(74) *Attorney, Agent, or Firm*—Quarles & Brady LLP

(57) **CLAIM**

The ornamental design for a cabinet, as shown and described.

DESCRIPTION

FIG. 1 is a front, right, upper perspective view of a first embodiment of a cabinet embodying our new design;

FIG. 2 is a front elevational view thereof;

FIG. 3 is a top plan view thereof;

FIG. 4 is a right side elevational view thereof, the left side elevational view being a mirror image thereof;

FIG. 5 is a rear elevational view thereof;

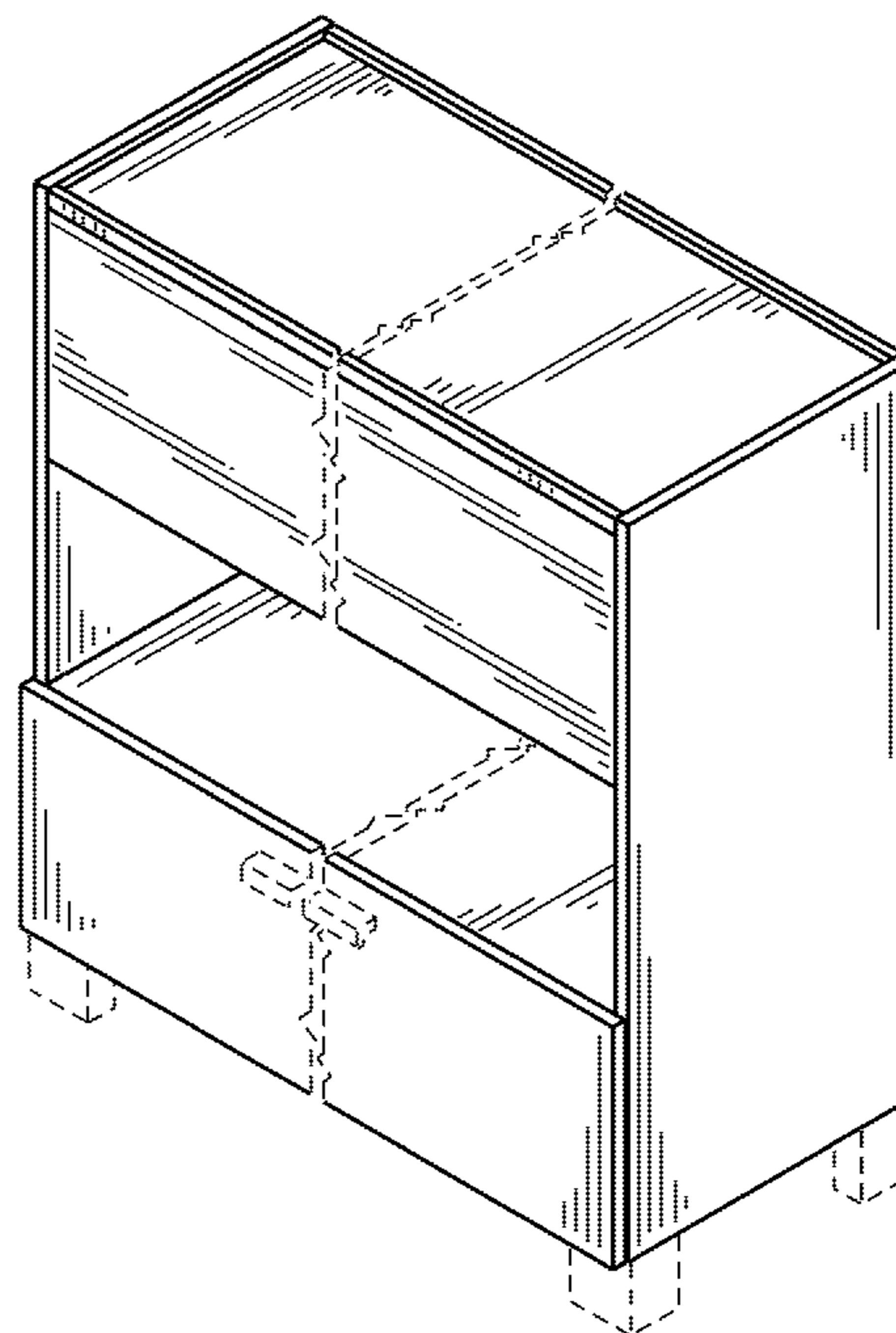
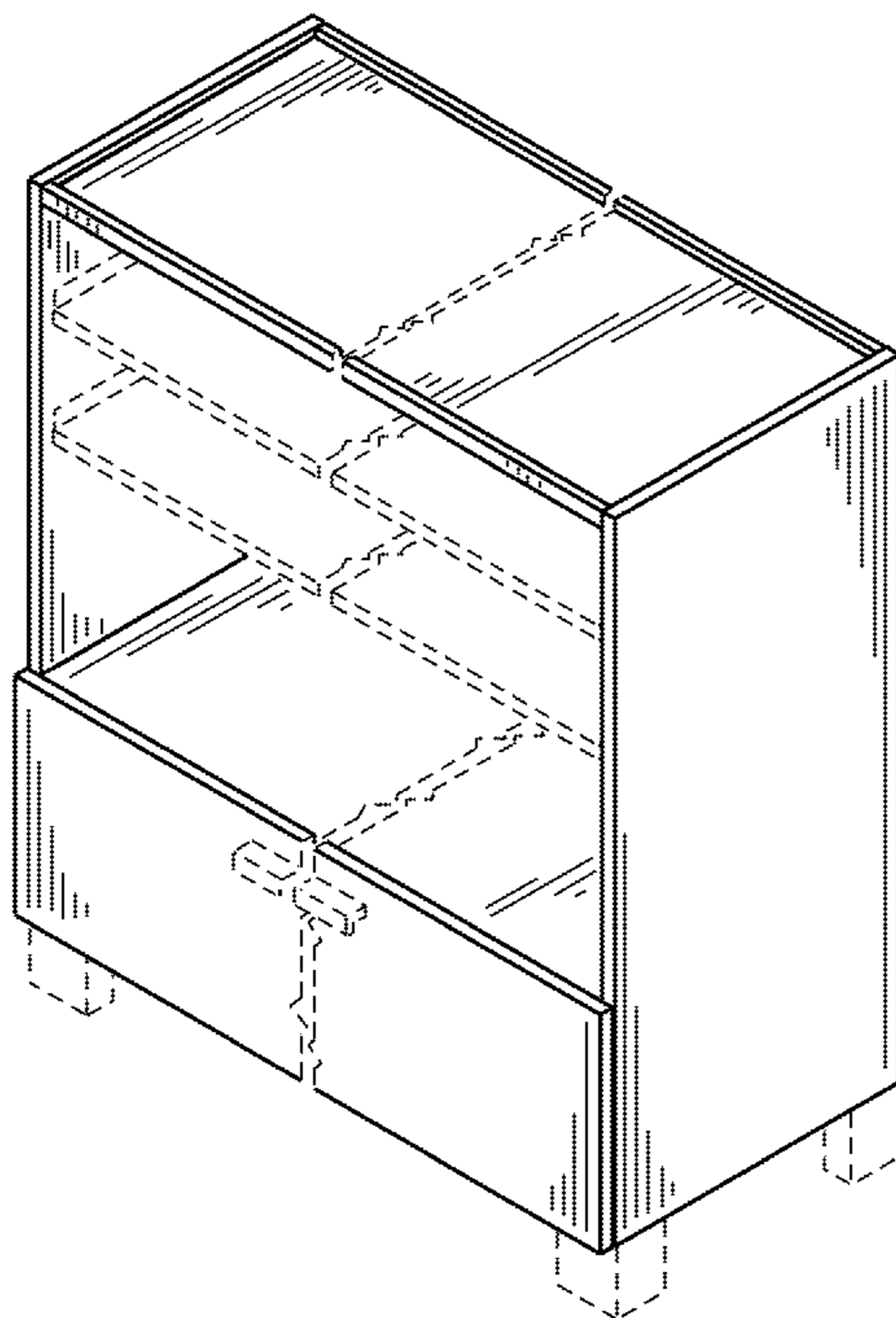
FIG. 6 is a bottom view thereof;

FIG. 7 is a front, right, upper perspective view of a second embodiment of a cabinet embodying our new design, the top plan view being identical to the view shown in FIG. 3; the right side elevational view being identical to the view shown in FIG. 4, the left side elevational view being a mirror image of the view shown in FIG. 4, the rear elevational view being identical to the view shown in FIG. 5; the bottom view being identical to the view shown in FIG. 6; and,

FIG. 8 is a front elevational view thereof.

The broken line representations of support legs in FIGS. 1-2 and 4-8, of a drawer pull in FIGS. 1-4 and 6-8, and of shelving in FIGS. 1-2 are for the purposes of illustration only, and form no part of the claimed design. The broken away portions shown in FIGS. 1-3 and 5-8 represent indeterminate width of the claimed design.

1 Claim, 4 Drawing Sheets



US D587,033 S

Page 2

U.S. PATENT DOCUMENTS

1,669,185	A	5/1928	Beige				
1,946,532	A	4/1934	Hatch				
2,103,885	A	12/1937	Whalen				
3,181,922	A *	5/1965	McBean	312/234.1		
3,372,966	A *	3/1968	Duy	312/334.36		
3,441,331	A	4/1969	Kesling				
3,712,697	A	1/1973	Kelley et al.				
3,716,282	A	2/1973	Propst et al.				
3,866,993	A *	2/1975	Dean et al.	312/216		
4,140,356	A	2/1979	Chervanek				
D258,256	S *	2/1981	Brown	D6/436		
4,389,078	A	6/1983	Streit				
4,502,741	A	3/1985	DeVries et al.				
4,563,047	A	1/1986	Braunschweig et al.				
4,620,489	A	11/1986	Albano				
4,669,790	A	6/1987	Briggs				
4,934,645	A	6/1990	Breslow				
D364,051	S *	11/1995	Berry et al.	D6/436		
5,483,902	A	1/1996	Grosch				
5,702,115	A	12/1997	Pool				
D391,782	S *	3/1998	Neufeld	D6/436		
5,788,094	A	8/1998	Kim et al.				
5,970,887	A	10/1999	Hardy				
D492,860	S *	7/2004	Bertoncini	D6/470		
D498,609	S *	11/2004	Juneau et al.	D6/436		
D508,621	S *	8/2005	Brandon	D6/426		
D531,834	S *	11/2006	Baade	D6/436		
D534,009	S *	12/2006	Juneau	D6/436		
D560,077	S *	1/2008	Zambelli	D6/436		
D568,631	S *	5/2008	Martin et al.	D6/436		

* cited by examiner

FIG. 1

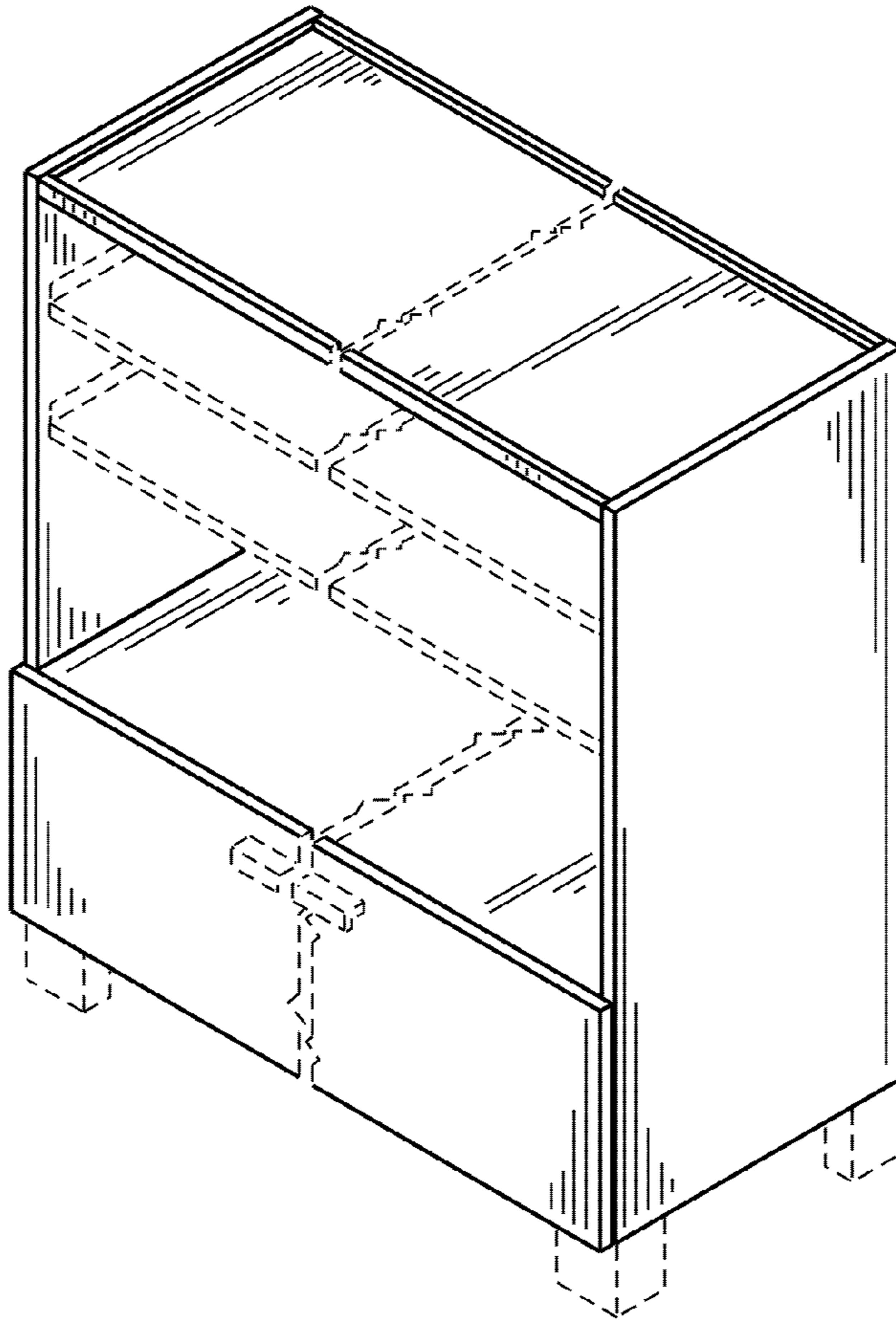


FIG. 2

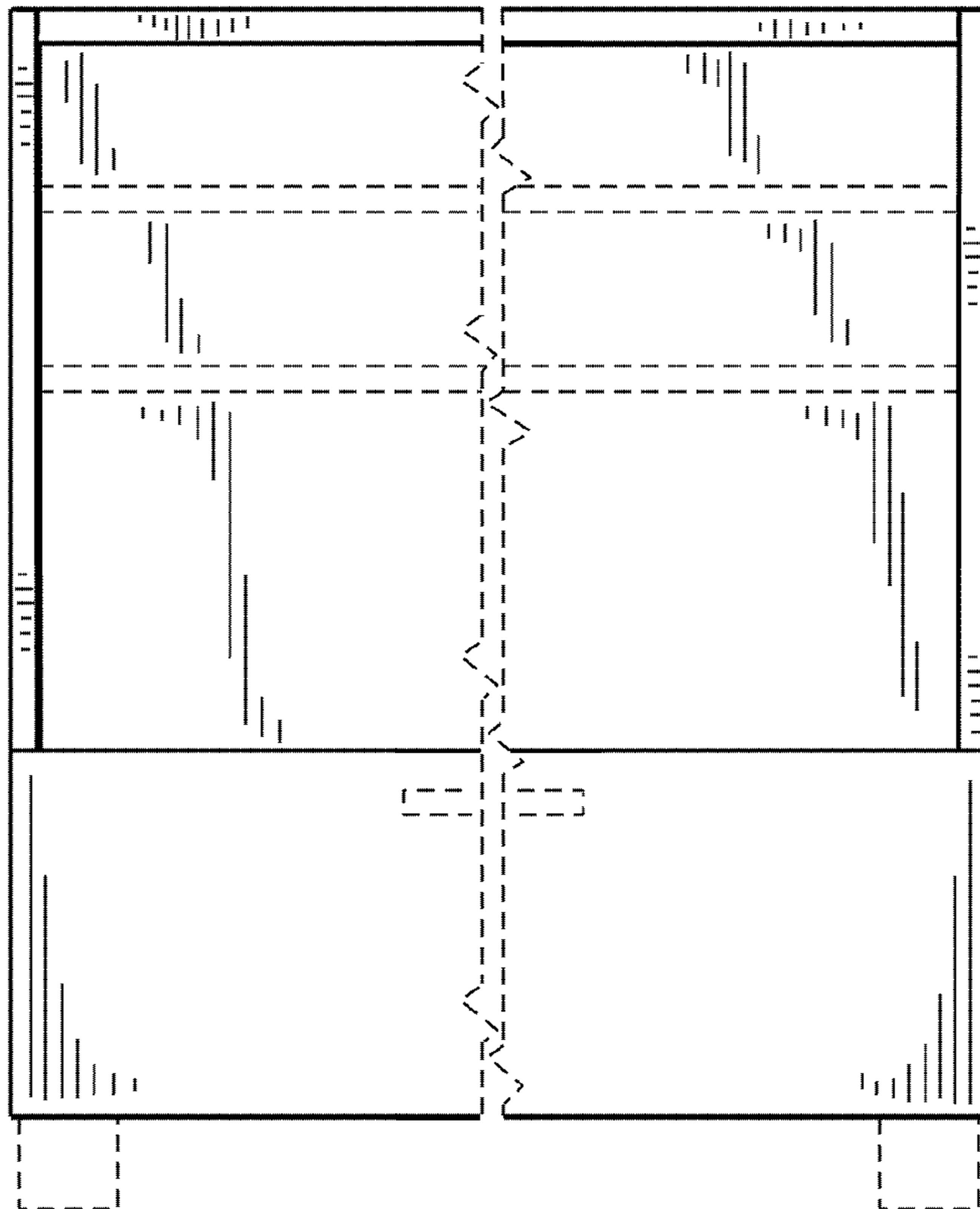


FIG. 3

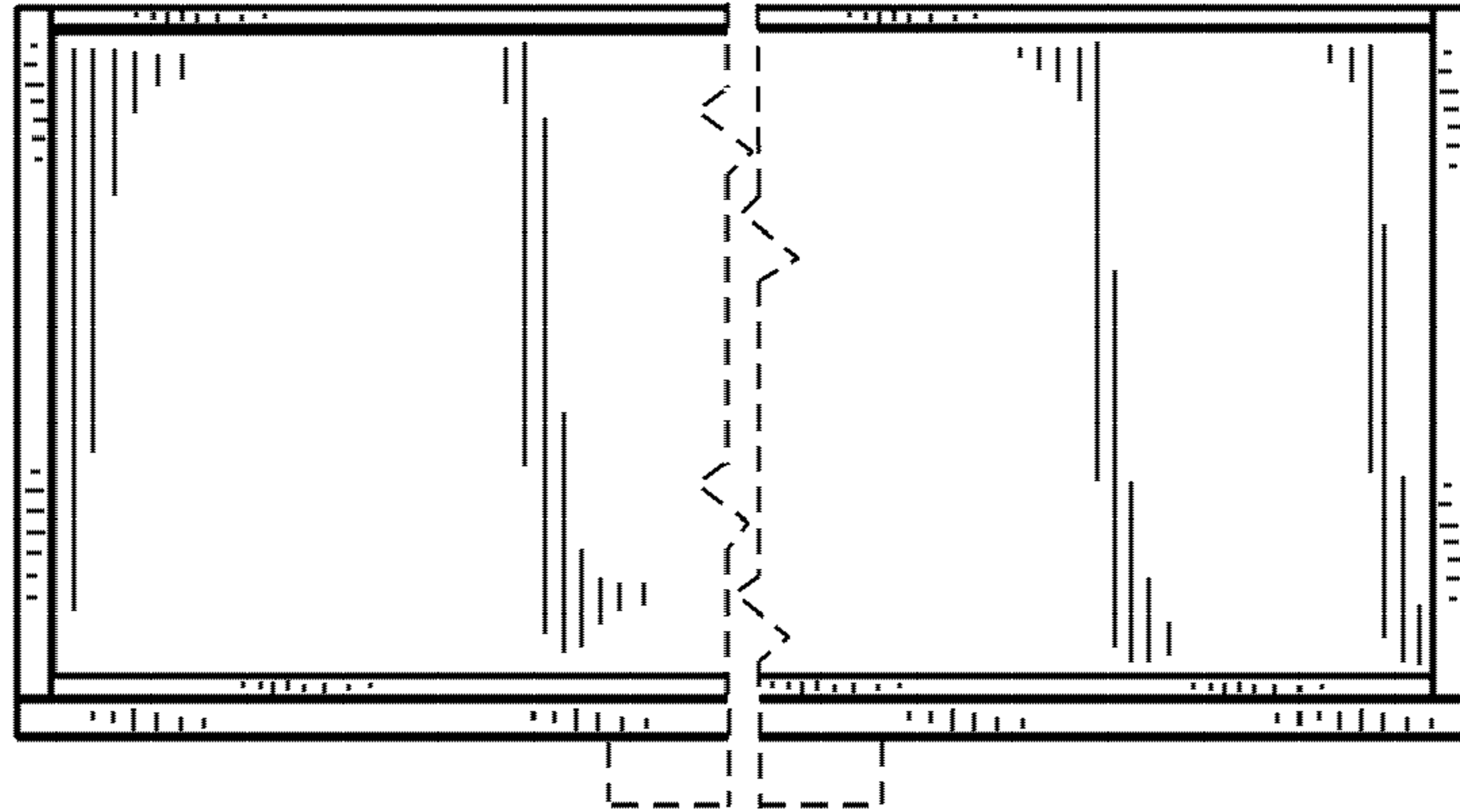


FIG. 4

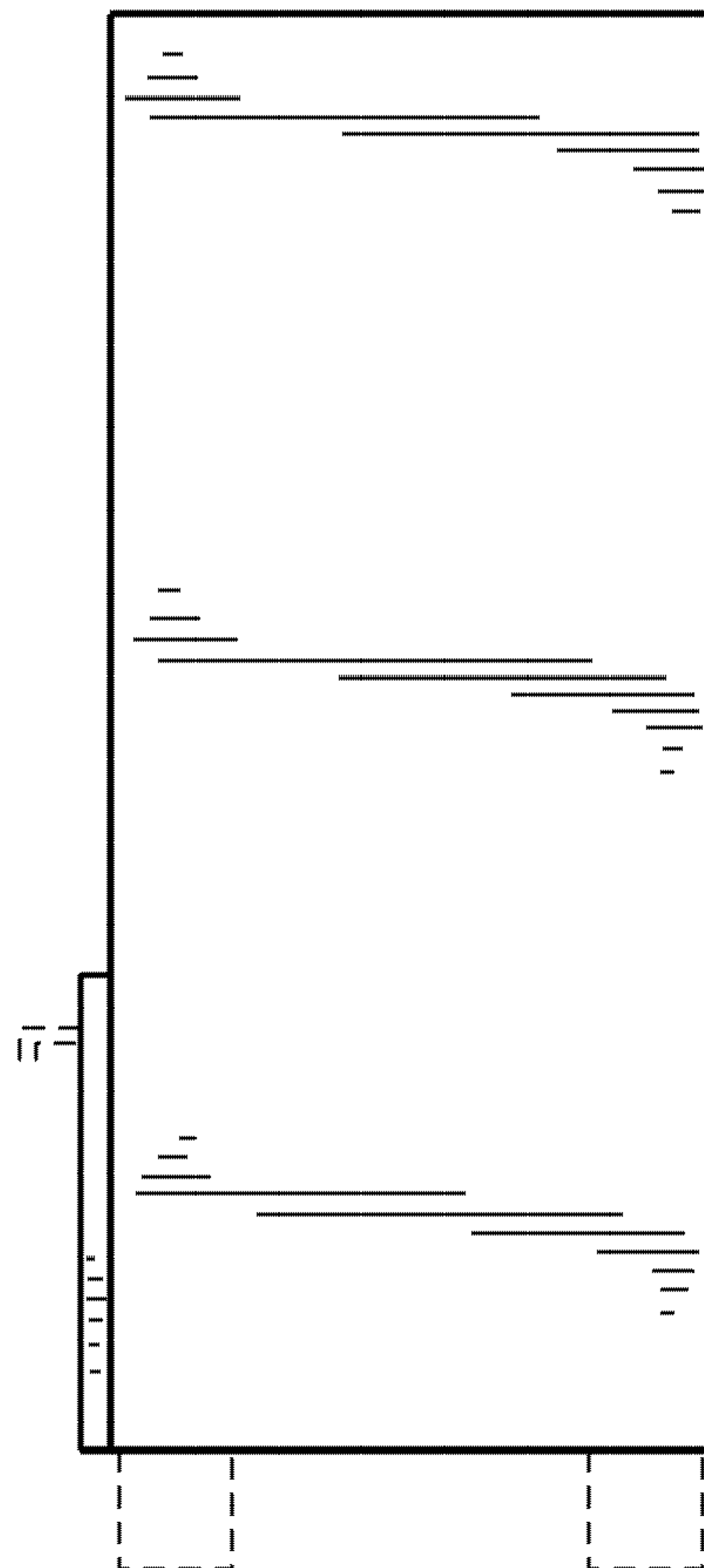


FIG. 5

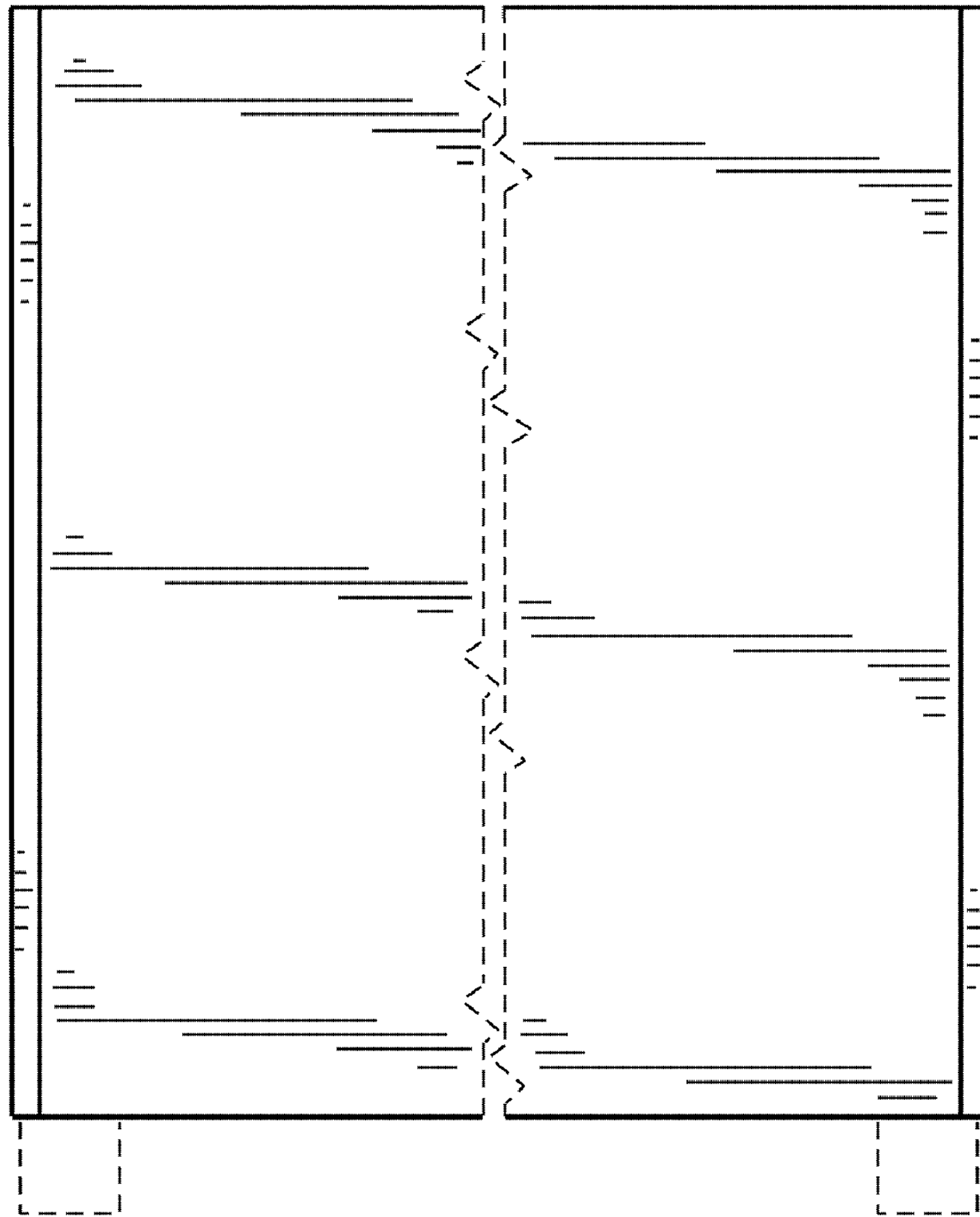


FIG. 6

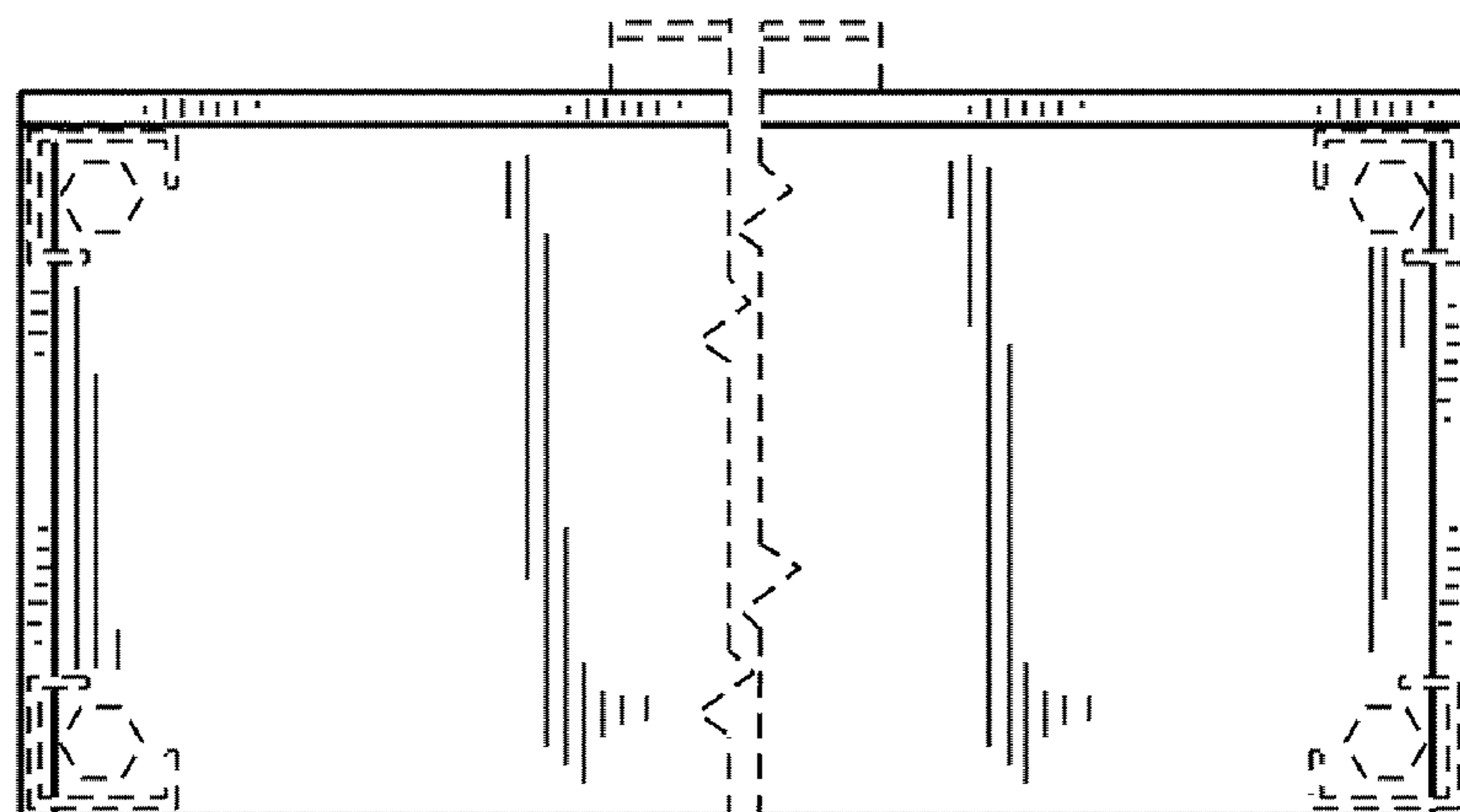


FIG. 7

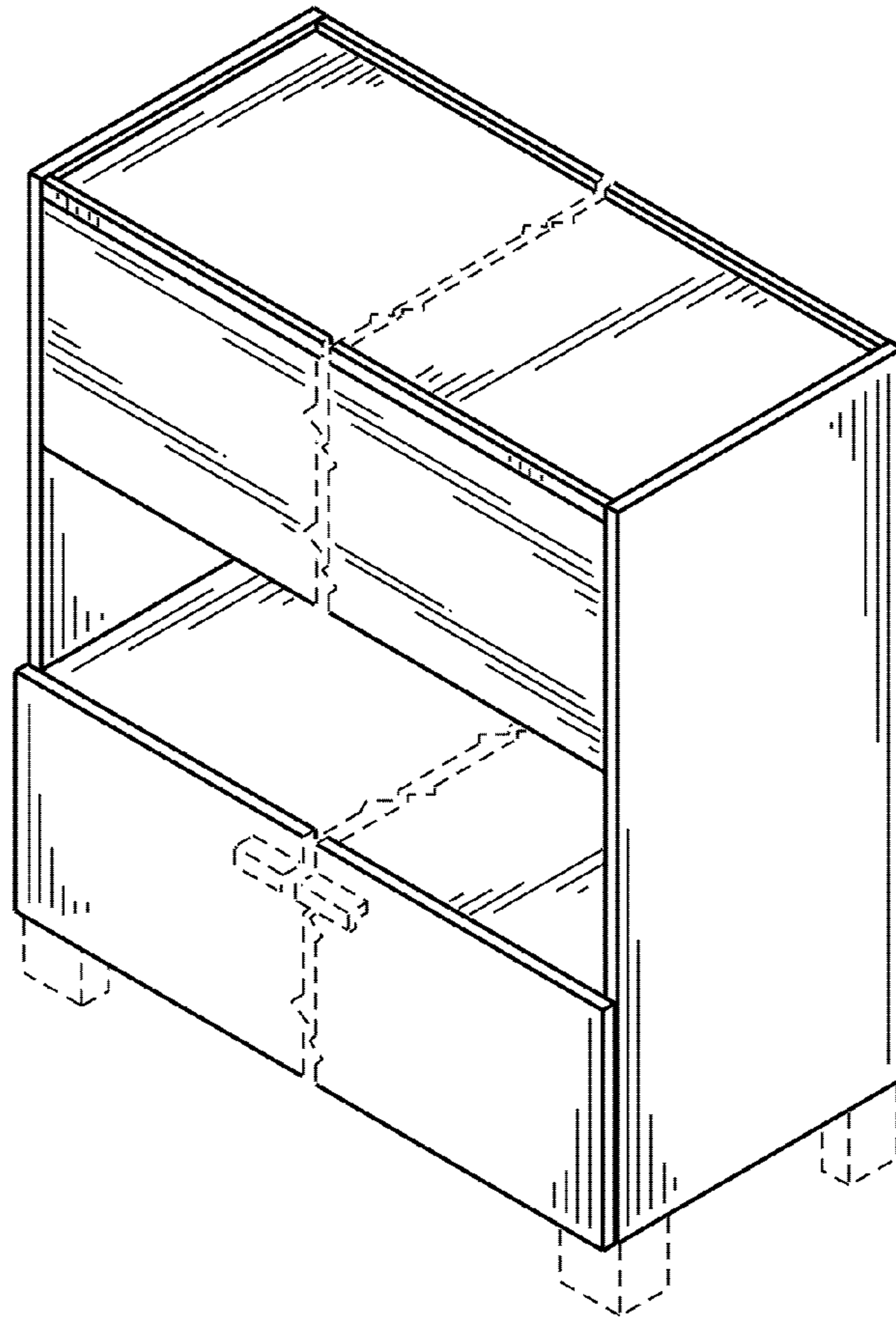


FIG. 8

