



US00D587032S

(12) **United States Design Patent**
Flagg

(10) **Patent No.:** **US D587,032 S**

(45) **Date of Patent:** **** Feb. 24, 2009**

(54) **COMBINATION ROCKET, TOY CHEST, AND ROCKING APPARATUS**

(76) **Inventor:** **Rodger H. Flagg**, 10504 Daysailer Dr., Fairfax Station, VA (US) 22039

(**) **Term:** **14 Years**

(21) **Appl. No.:** **29/290,955**

(22) **Filed:** **Feb. 4, 2008**

(51) **LOC (9) Cl.** **06-04**

(52) **U.S. Cl.** **D6/434**

(58) **Field of Classification Search** D6/345,
D6/348, 358, 384, 432, 434, 436-448, 470-472;
312/138.1, 204, 224, 227, 237, 257.1; D9/674;
D21/452, 833

See application file for complete search history.

(56) **References Cited**

U.S. PATENT DOCUMENTS

D74,805 S *	3/1928	Schaefer	D9/674
D171,832 S *	3/1954	Bastian	D21/833
D241,385 S *	9/1976	Roden	D6/434
D448,815 S *	10/2001	Chen	D21/452
D522,377 S *	6/2006	Meyer	D9/674

* cited by examiner

Primary Examiner—Mimosa De

(57) **CLAIM**

The ornamental design for a combination rocket, toy chest, and rocking apparatus, as shown and described.

DESCRIPTION

FIG. 1 is a side perspective view of the combination rocket, toy chest, and rocking apparatus with the rocket cockpit shown from the latching side, according to my new design:

FIG. 2 is a perspective view of the combination rocket, toy chest, and rocking apparatus with the rocket cockpit shown from the hinged side, on the side opposite the latching side;

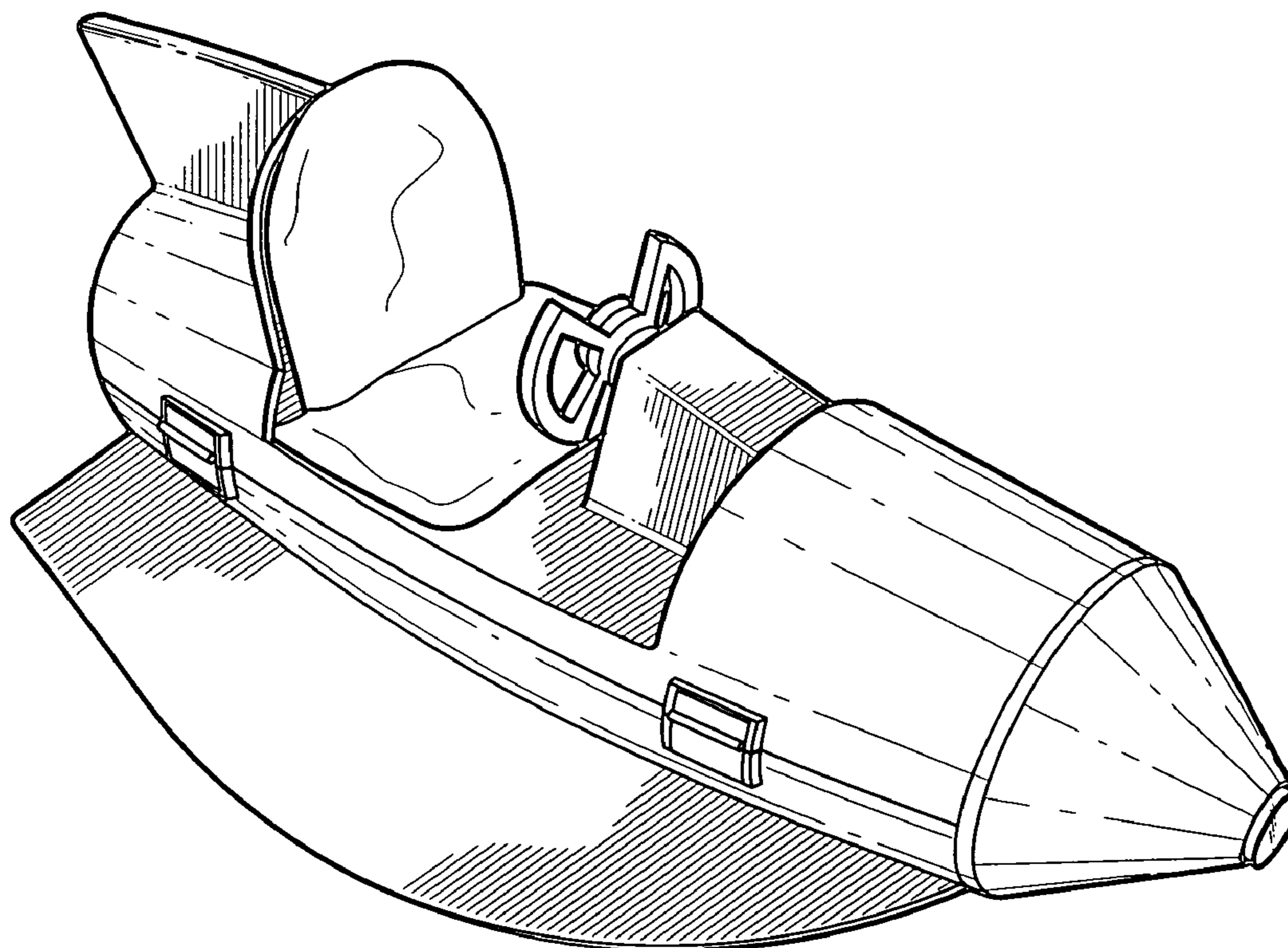
FIG. 3 is a front perspective view of the combination rocket, toy chest, and rocking apparatus, showing a portion of the nose cone, steering wheel, and seat;

FIG. 4 is a rear perspective view of the combination rocket, toy chest, and rocking apparatus, showing the upper tail fin and spaced apart, lower rocking tail fins;

FIG. 5 is a side perspective view of the combination rocket, toy chest, and rocking apparatus with the upper housing portion raised above the lower housing portion to show the internal toy chest; and,

FIG. 6 is a perspective bottom view of the combination rocket, toy chest, and rocking apparatus standing upright on all three tail fins, for compact storage.

1 Claim, 5 Drawing Sheets



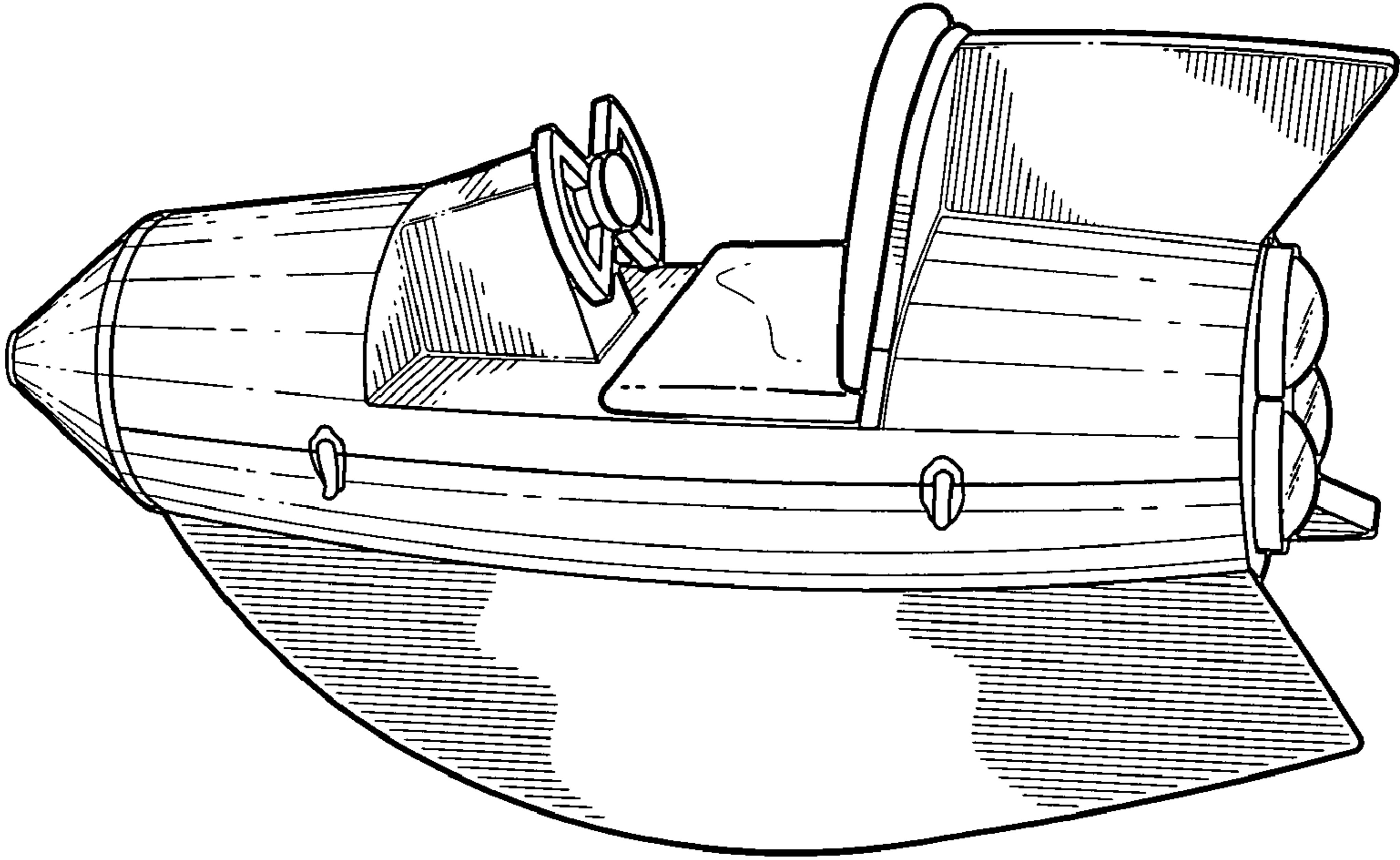


FIG. 1

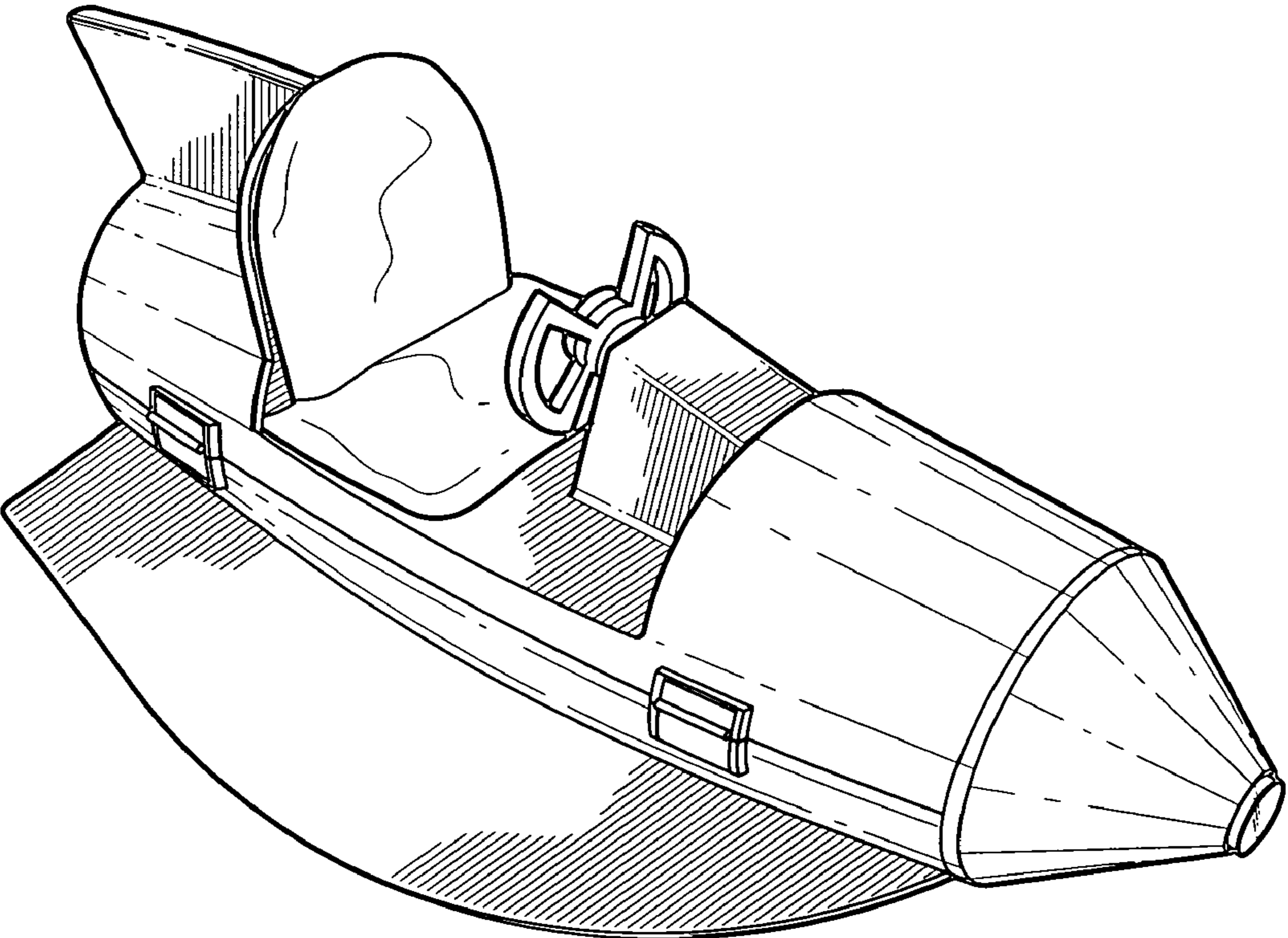


FIG. 2

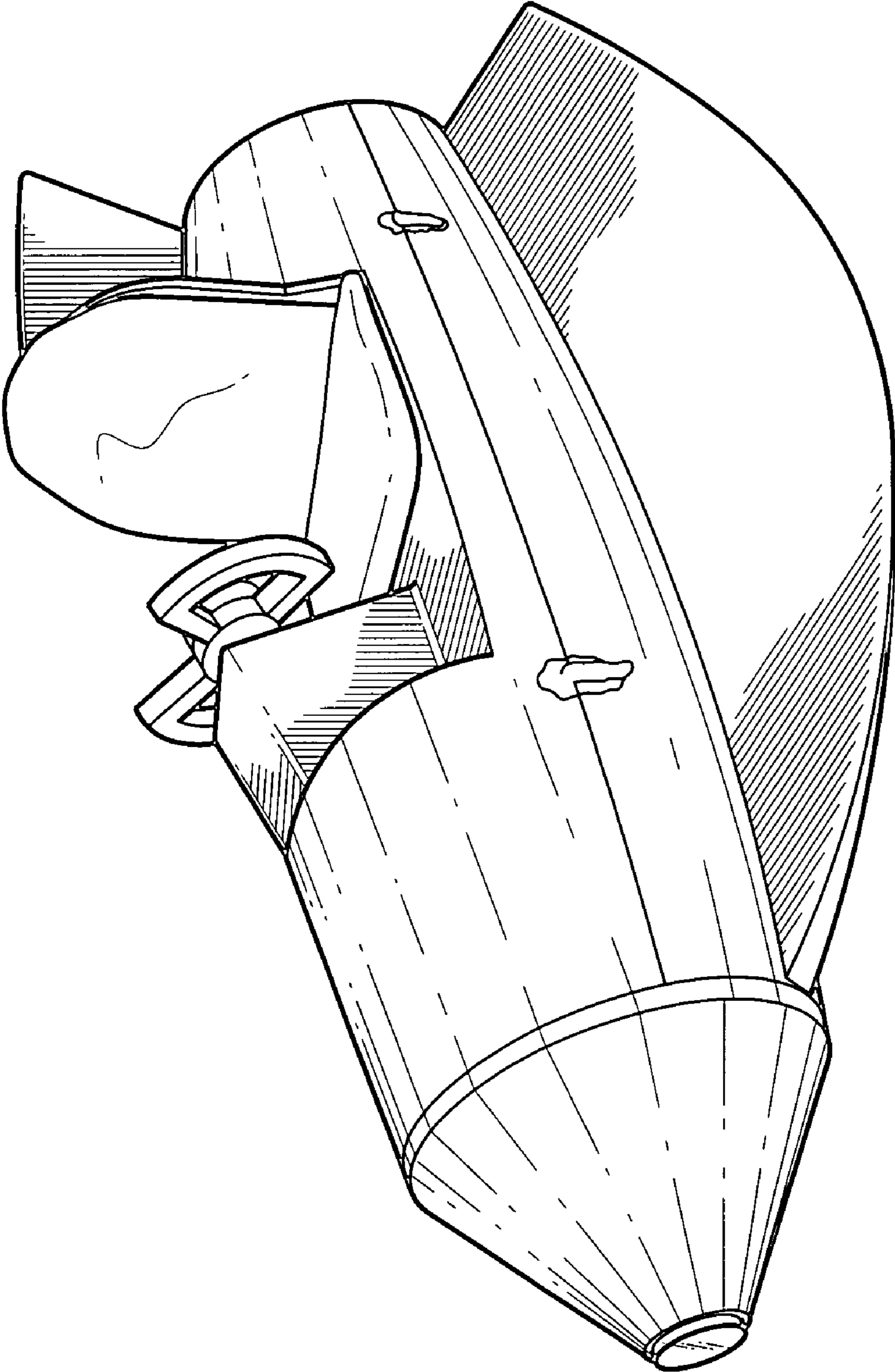


FIG. 3

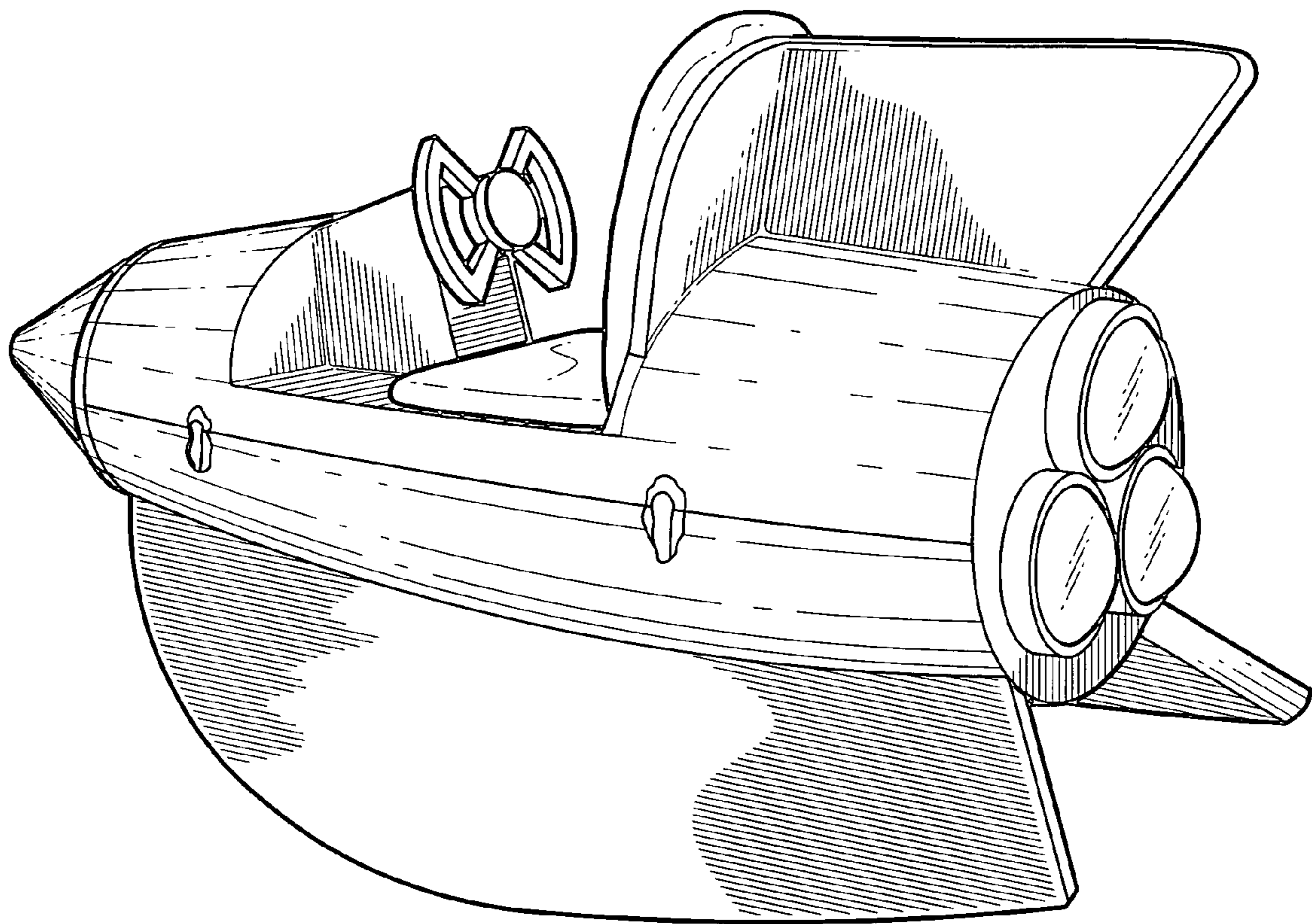


FIG.4

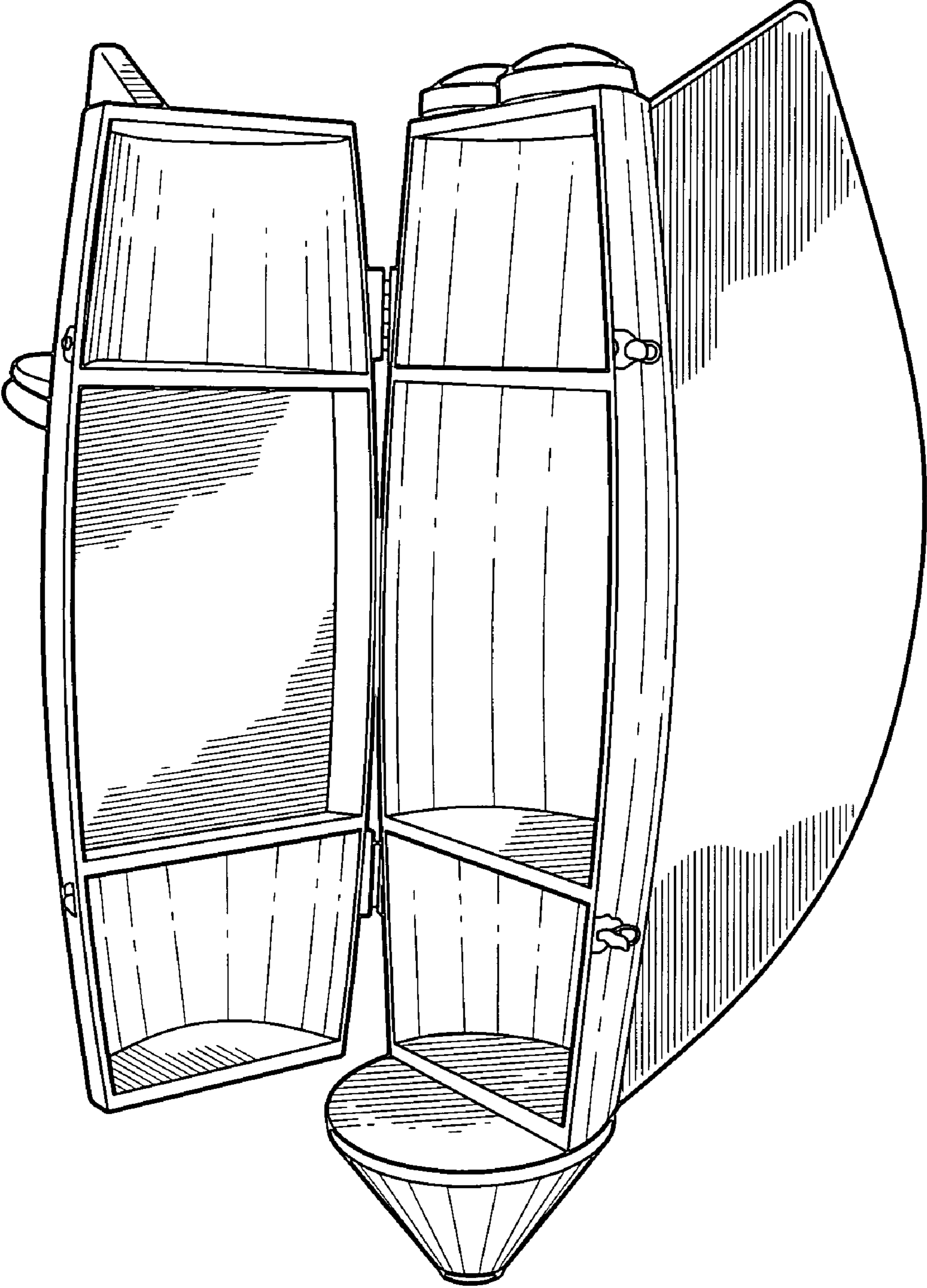


FIG. 5

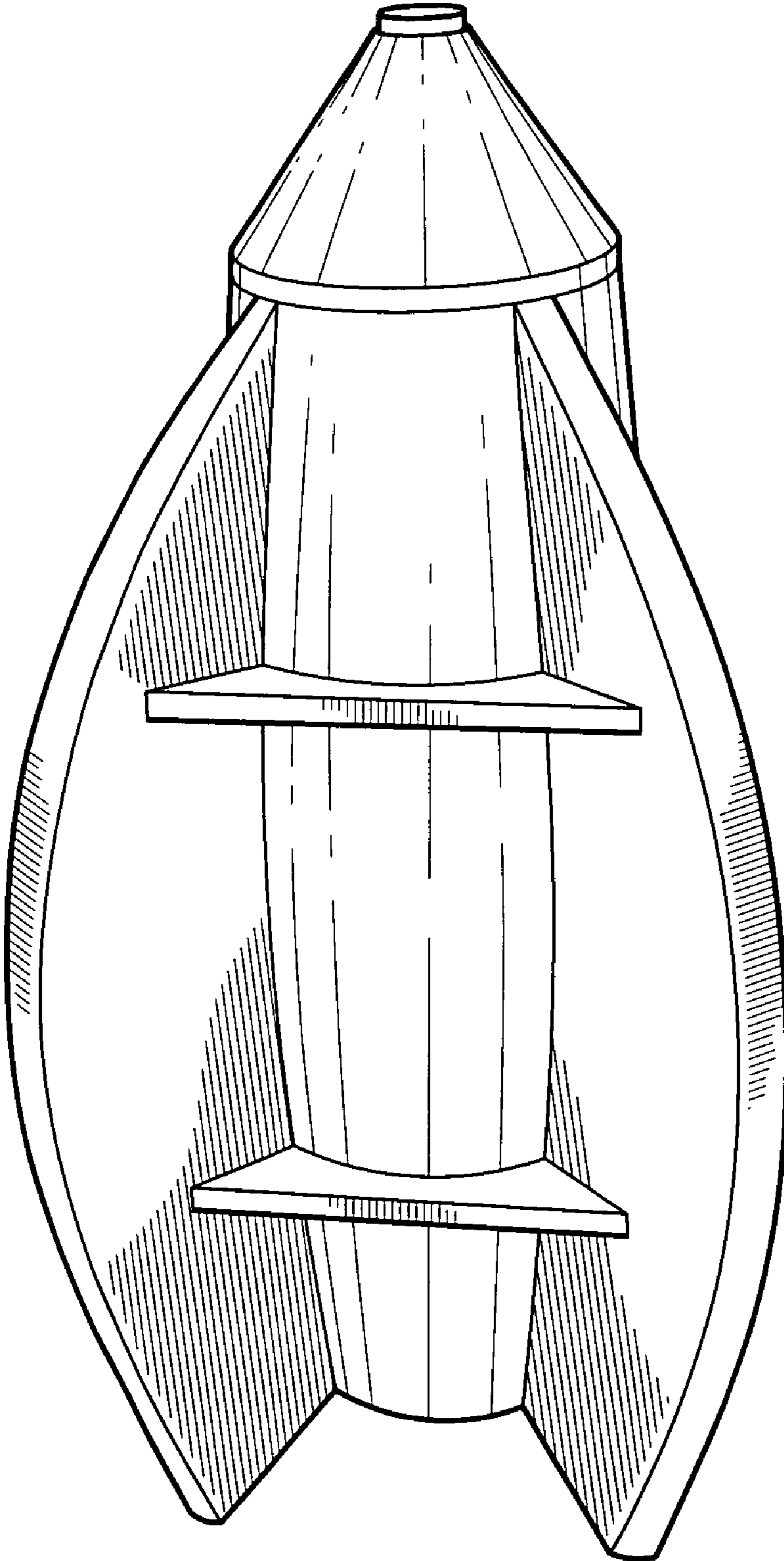


FIG. 6