



US00D587031S

(12) **United States Design Patent**  
**Pourounidis et al.**

(10) **Patent No.:** **US D587,031 S**  
(45) **Date of Patent:** **\*\* Feb. 24, 2009**

(54) **WORK BENCH CUTTING BOARD**

(76) Inventors: **Harry Pourounidis**, C/-BAMBIS, 1-9 Moreland Road East Coburg, Victoria, 3058 (AU); **Curtis Stone**, C/-BAMBIS, 1-9 Moreland Road East Coburg, Victoria, 3058 (AU)

(\*\*) Term: **14 Years**

(21) Appl. No.: **29/298,273**

(22) Filed: **Nov. 30, 2007**

(51) **LOC (9) Cl.** ..... **06-04**

(52) **U.S. Cl.** ..... **D6/397**

(58) **Field of Classification Search** ..... D6/397,  
D6/396, 469, 476, 406.3, 432, 466, 480;  
211/71.01, 74, 13.1, 133.1; D10/46.2; 312/351,  
312/290; D7/590, 632, 708; 366/130, 602;  
206/427, 562; 269/289 R, 302.1  
See application file for complete search history.

(56) **References Cited**

U.S. PATENT DOCUMENTS

2,609,024 A	9/1952	Russ	
4,041,964 A	8/1977	Shamoon	
4,077,685 A	3/1978	Scire et al.	
4,653,737 A	3/1987	Haskins et al.	
4,947,991 A *	8/1990	Snell	206/427
5,363,755 A	11/1994	Liang	
5,382,009 A	1/1995	Mertz et al.	
5,546,852 A	8/1996	Bidwell	
D394,174 S *	5/1998	Aquino	D6/476
D400,373 S *	11/1998	Thoesen	D6/469
5,865,105 A	2/1999	Pepelanov	
5,938,185 A	8/1999	Kletter	
6,026,972 A	2/2000	Makowski	
6,116,772 A *	9/2000	DiGiacomo et al.	366/130
6,126,256 A *	10/2000	Doces, II	312/351

6,182,305 B1	2/2001	O'Connell et al.	
6,276,675 B1	8/2001	Shamoon	
6,283,566 B1 *	9/2001	Doces	312/351
6,371,298 B1	4/2002	Bowman	
6,371,470 B1	4/2002	Ward	
6,478,293 B1	11/2002	Keener	
6,536,753 B1	3/2003	Keener	
D477,188 S *	7/2003	Faria	D7/590
6,745,702 B2	6/2004	Goldberg et al.	
6,994,336 B2	2/2006	Loo	
D518,391 S *	4/2006	McGuyer	D10/46.2
D548,114 S *	8/2007	Sawhney et al.	D10/46.2
7,252,255 B2	8/2007	Cornfield	
7,258,289 B1	8/2007	Butt	
7,422,201 B2 *	9/2008	Pearl et al.	269/289 R
2002/0185801 A1	12/2002	Cautereels et al.	
2002/0195763 A1	12/2002	Benjamin	
2007/0001359 A1	1/2007	Pearl et al.	
2007/0080487 A1	4/2007	Yartz	
2007/0108686 A1	5/2007	Casale et al.	

FOREIGN PATENT DOCUMENTS

GB 2216399 A 10/1989

\* cited by examiner

*Primary Examiner*—Janice E. Seeger  
*Assistant Examiner*—Sydney R Buffalow  
(74) *Attorney, Agent, or Firm*—Fulwider Patton LLP

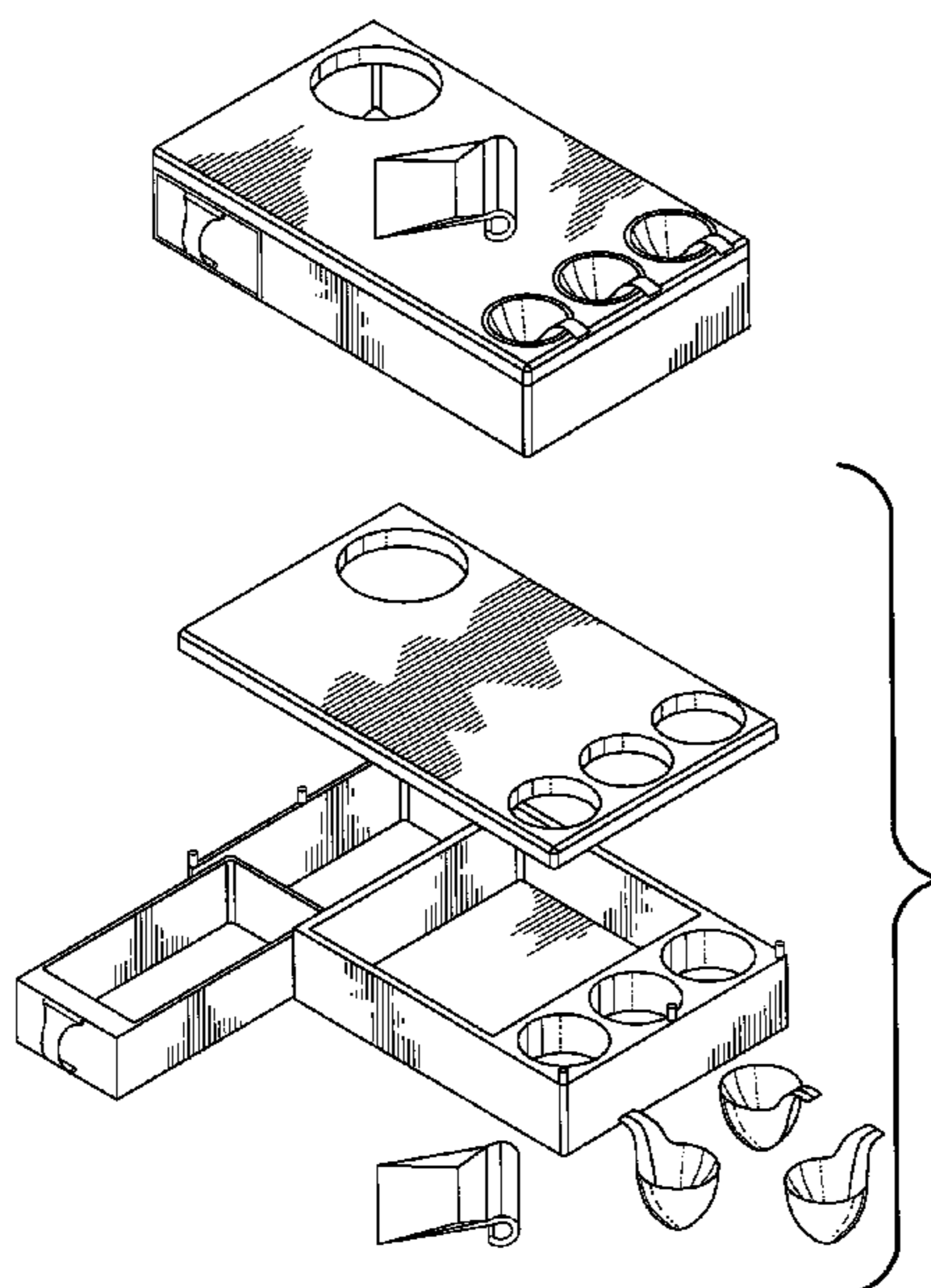
(57) **CLAIM**

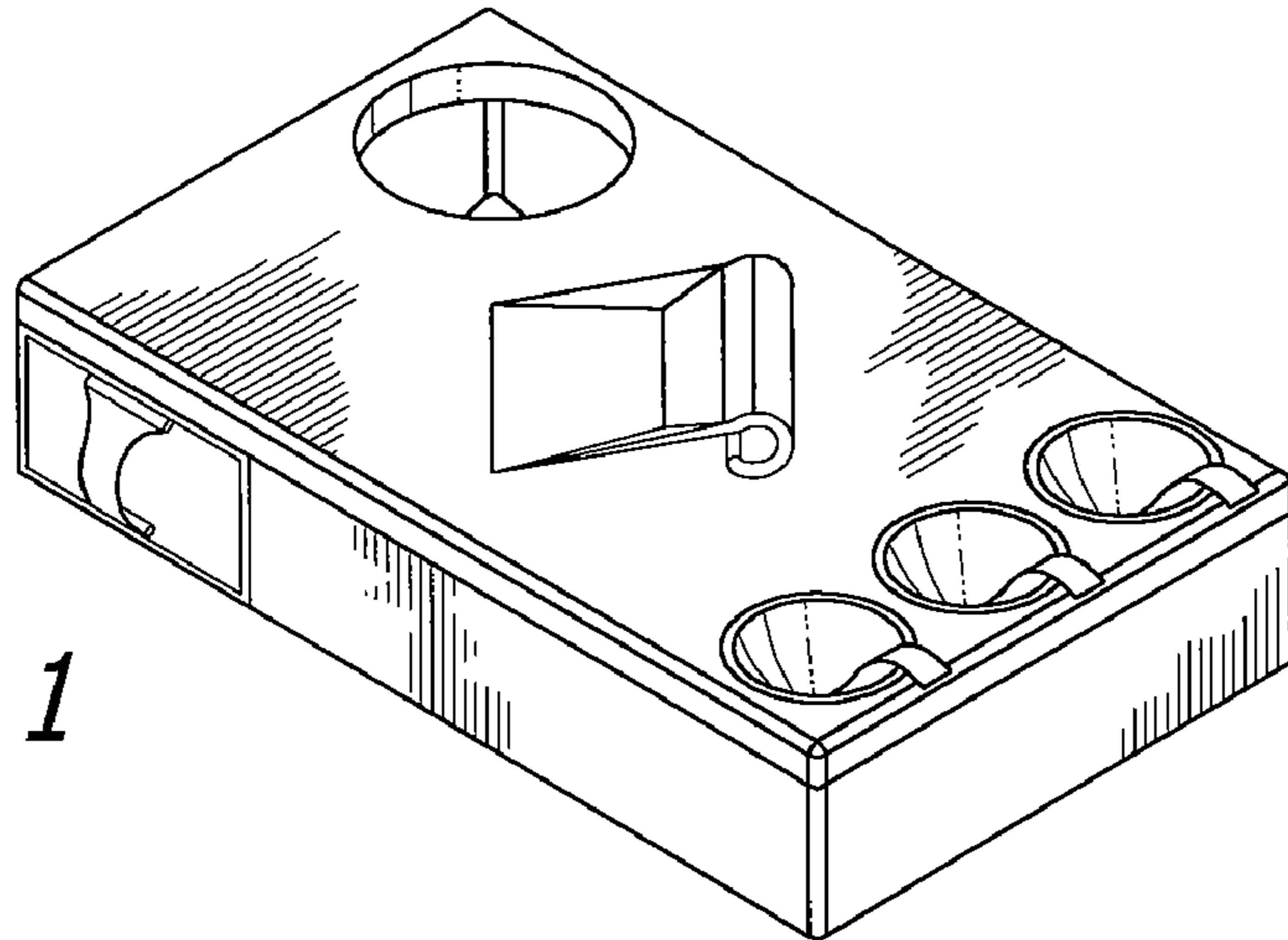
The ornamental design for a work bench cutting board, as shown.

**DESCRIPTION**

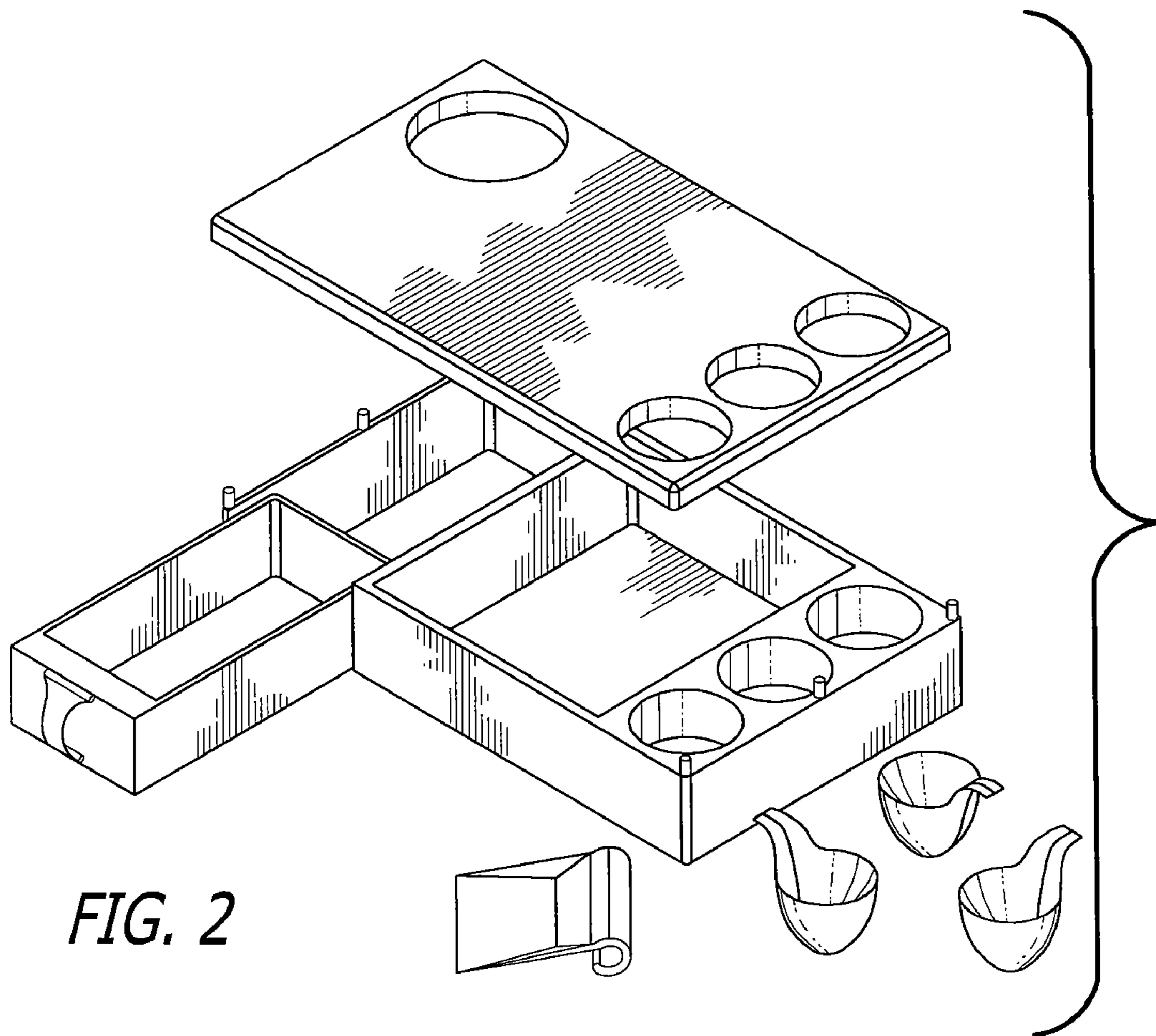
FIG. 1 is a top perspective view of the work bench cutting board showing our new design; and,  
FIG. 2 is a top perspective exploded view thereof.

**1 Claim, 1 Drawing Sheet**





*FIG. 1*



*FIG. 2*

UNITED STATES PATENT AND TRADEMARK OFFICE  
**CERTIFICATE OF CORRECTION**

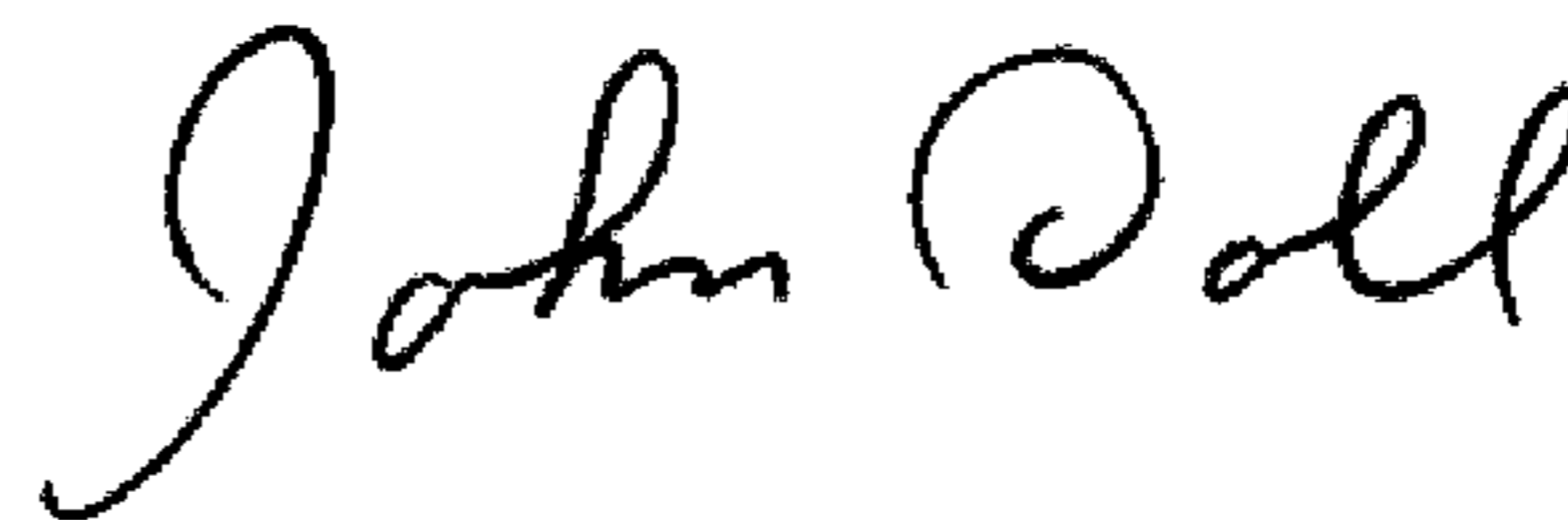
PATENT NO. : Des. 587,031 S  
APPLICATION NO. : 29/298273  
DATED : February 24, 2009  
INVENTOR(S) : Harry Pouroundis et al.

Page 1 of 1

It is certified that error appears in the above-identified patent and that said Letters Patent is hereby corrected as shown below:

Title Page, insert--[30] Foreign Application Priority Data Jun 1, 2007 [AU] Australia 18239/2007--.

Signed and Sealed this  
Sixteenth Day of June, 2009



JOHN DOLL  
*Acting Director of the United States Patent and Trademark Office*