



US00D587024S

(12) **United States Design Patent**
Turco-Rivas

(10) **Patent No.:** **US D587,024 S**

(45) **Date of Patent:** **** Feb. 24, 2009**

(54) **KLICK DESK**

D558,470 S * 1/2008 Williams et al. D6/335
D560,922 S * 2/2008 Rope D6/388

(76) Inventor: **Antonio Turco-Rivas**, 38NW. 1st Ave.,
Dania, FL (US) 33004

* cited by examiner

Primary Examiner—Sandra Snapp

(**) Term: **14 Years**

(57) **CLAIM**

(21) Appl. No.: **29/279,380**

The ornamental design for klick desk, as shown and described.

(22) Filed: **Apr. 27, 2007**

DESCRIPTION

(51) **LOC (9) Cl.** **06-01**

FIG. 1 is a perspective view of a klick desk, showing my new design in an assembled configuration;

(52) **U.S. Cl.** **D6/336**

FIG. 2 is a front elevational view of a desk portion of the invention;

(58) **Field of Classification Search** D6/334–338,
D6/360, 367, 374, 375, 482, 491, 495, 500–502,
D6/357, 364; 297/83, 157.1, 158.3, 170,
297/184.16, 188.14, 244, 423.19; 5/12.1,
5/12.2

FIG. 3 is a rear elevational view of the desk portion of the invention;

See application file for complete search history.

FIG. 4 is a left-side elevational view of the desk portion of the invention, the right- side elevational view being a mirror image thereof;

(56) **References Cited**

U.S. PATENT DOCUMENTS

D167,514 S *	8/1952	Hicks	D6/335
D213,773 S *	4/1969	Beardmore	D6/335
D219,443 S *	12/1970	Hubal	D6/335
D220,952 S *	6/1971	Peterson	D6/360
3,606,461 A *	9/1971	Moriyama	297/451.8
D235,039 S *	5/1975	Olsen	D6/335
D273,732 S *	5/1984	Tiffany	D6/335
D274,576 S *	7/1984	Tiffany	D6/335
D327,796 S *	7/1992	Ryaa	D6/500
D366,966 S *	2/1996	Bonaddio et al.	D6/335
D459,901 S *	7/2002	Liu	D6/336
D503,548 S *	4/2005	Peters	D6/335
D503,855 S *	4/2005	Best	D6/335
D518,301 S *	4/2006	Ng et al.	D6/335
7,310,838 B2 *	12/2007	Goldstein	5/18.1

FIG. 5 is a top plan view of the desk portion of the invention;

FIG. 6 is a bottom plan view of the desk portion of the invention;

FIG. 7 is a front elevational view of a seat portion of the invention;

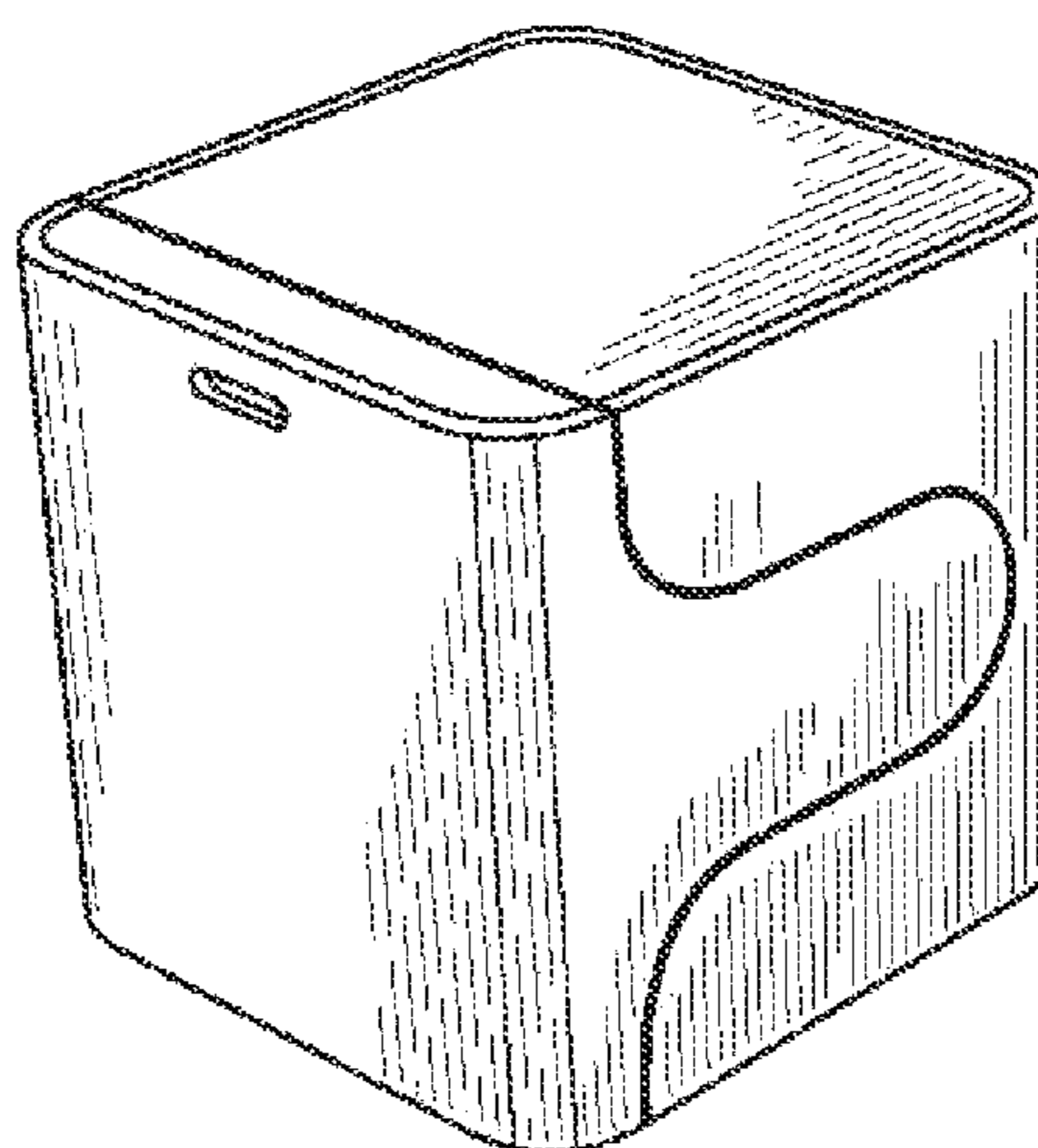
FIG. 8 is a rear elevational view of the seat portion of the invention;

FIG. 9 is a left-side elevational view of the seat portion of the invention, the right- side elevational view being a mirror image thereof;

FIG. 10 is a top plan view of the seat portion of the invention; and,

FIG. 11 is a bottom plan view of the seat portion of the invention.

1 Claim, 2 Drawing Sheets



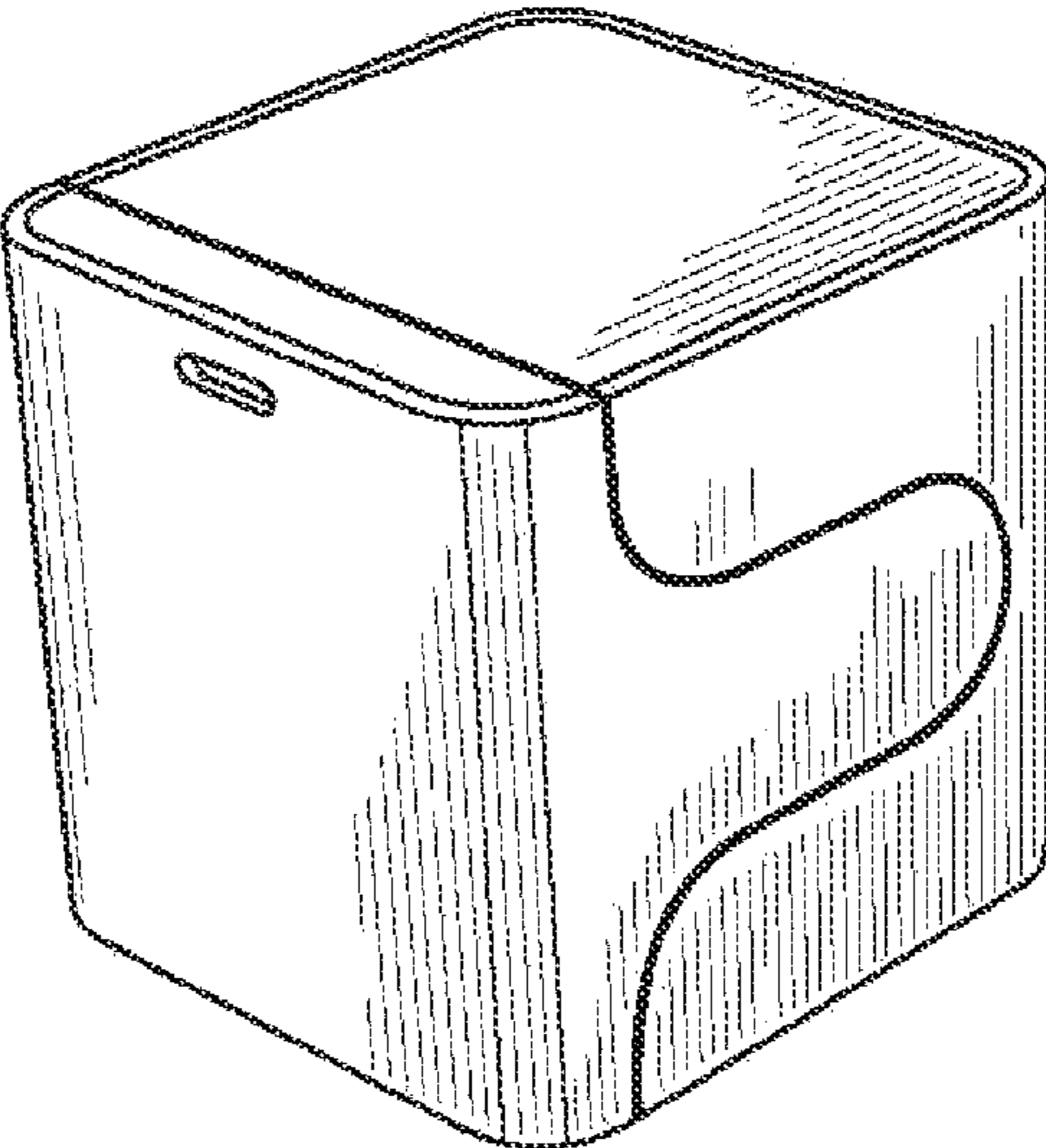


FIG. 1

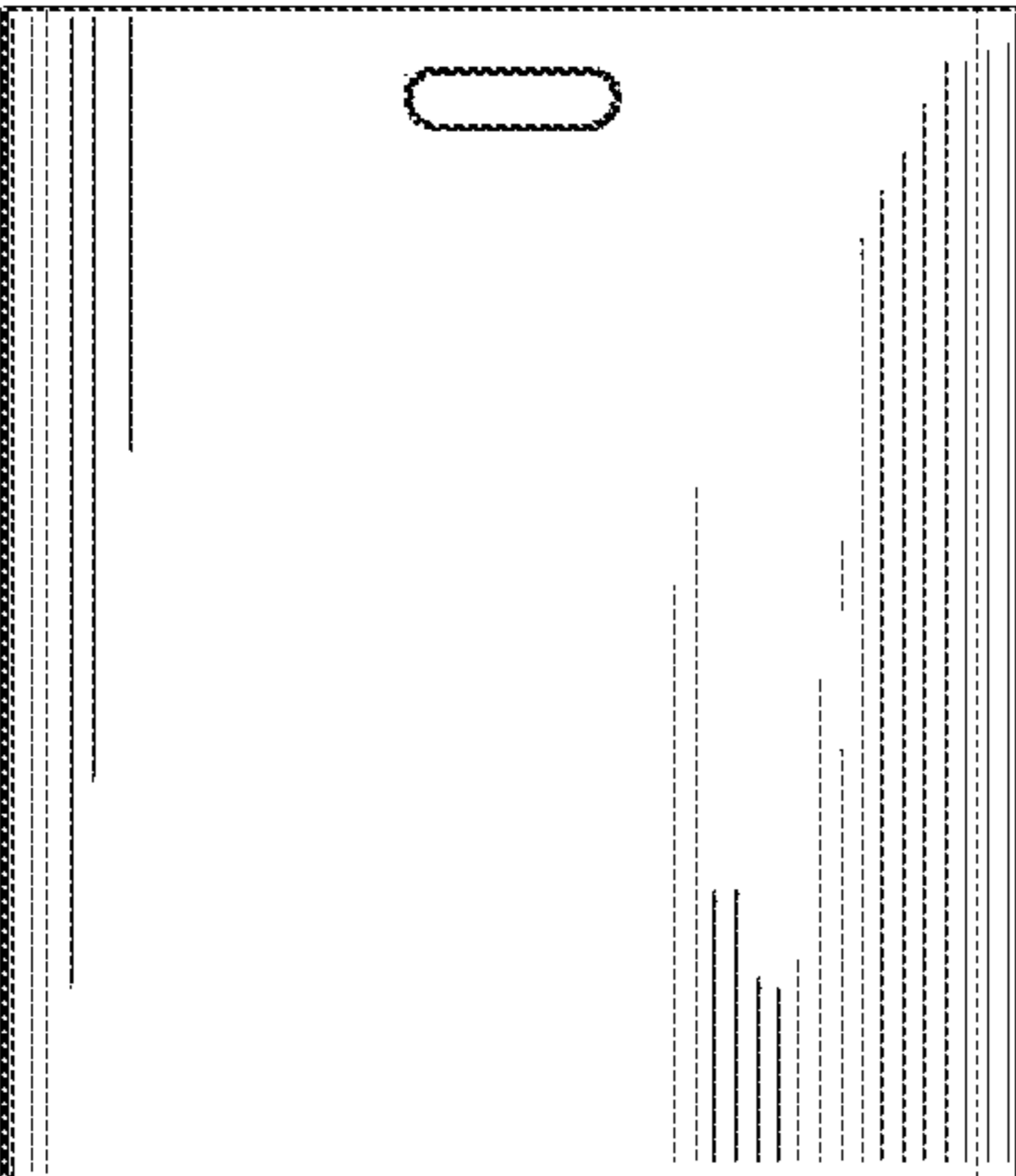


FIG. 2

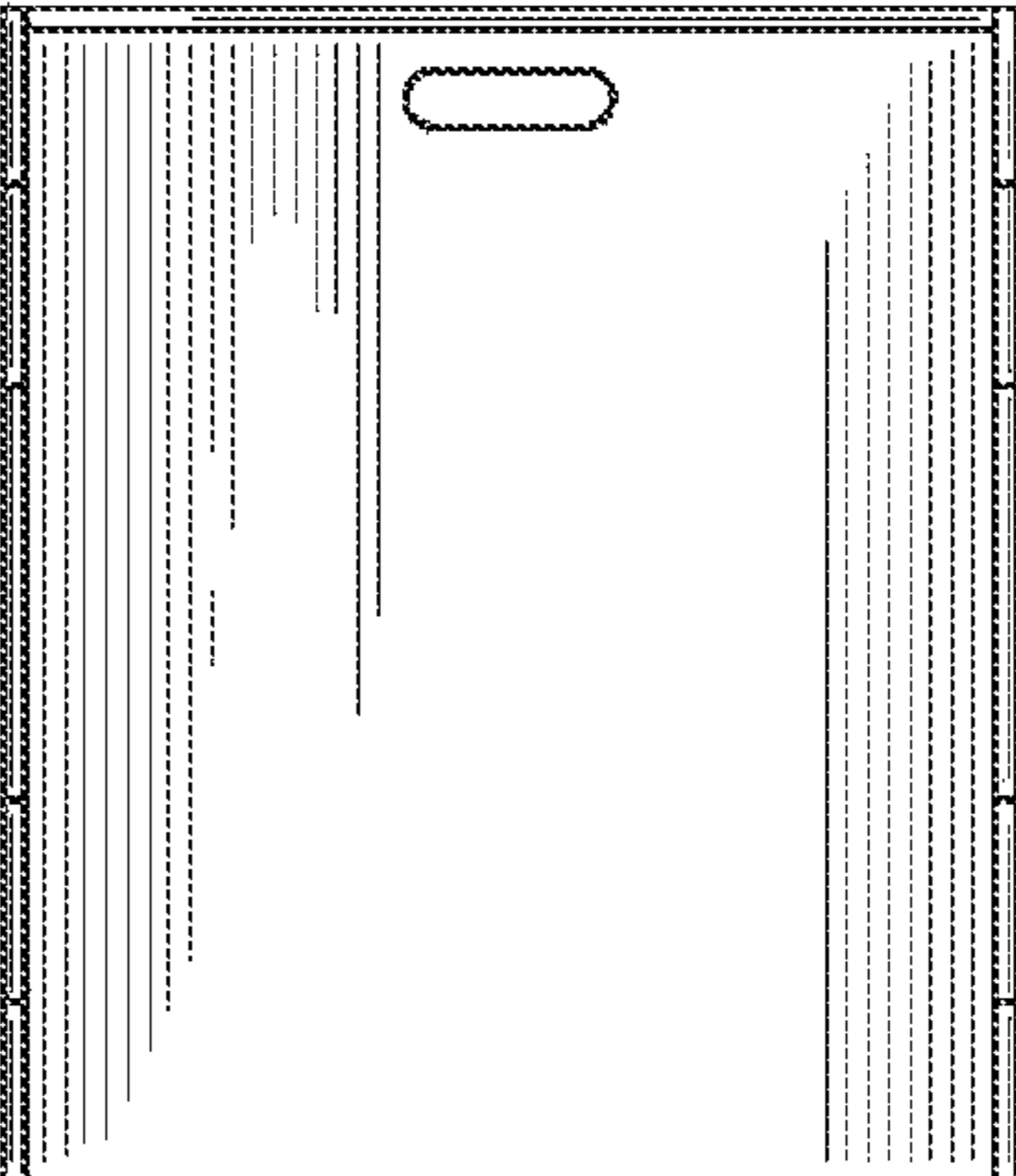


FIG. 3

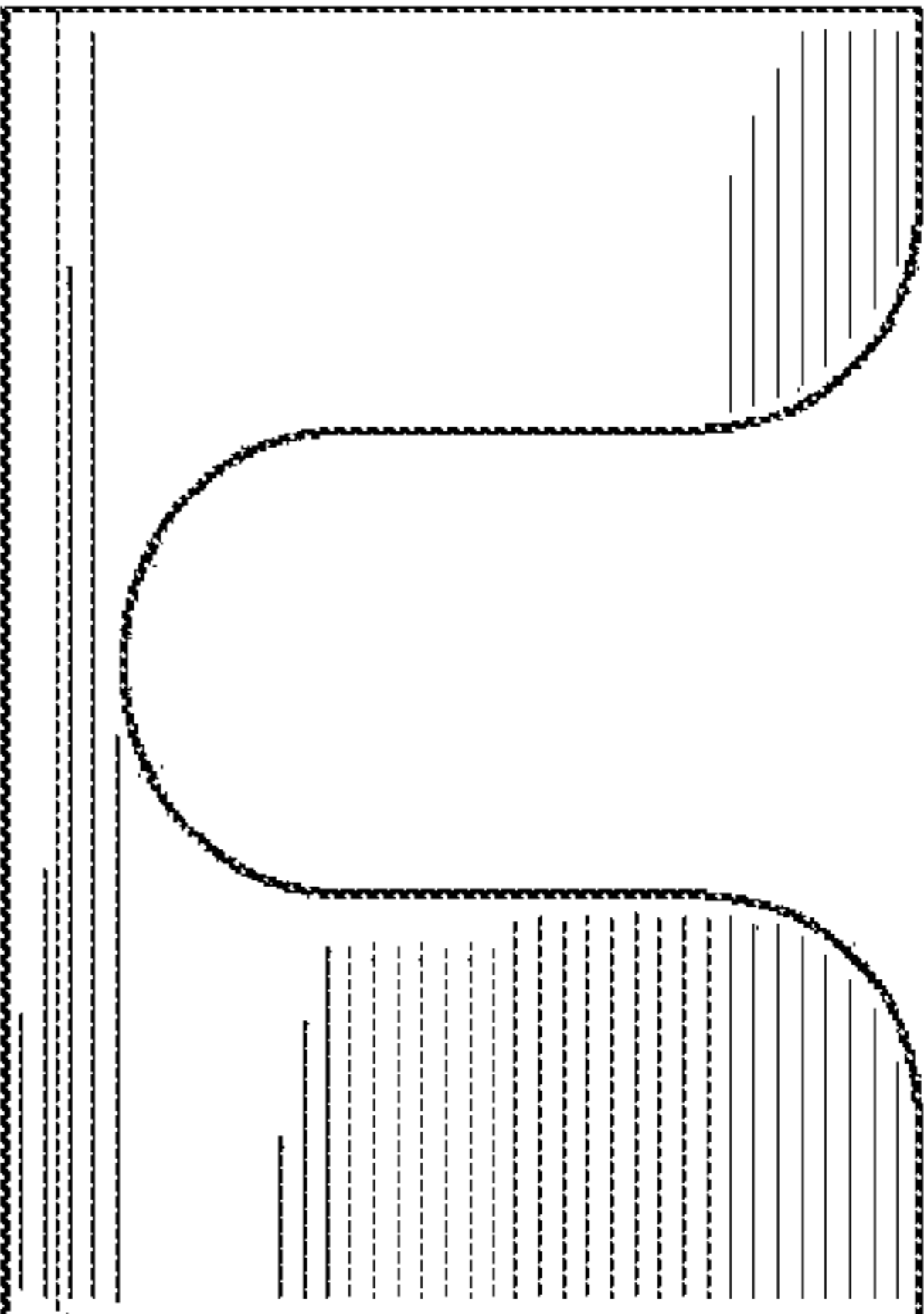


FIG. 4

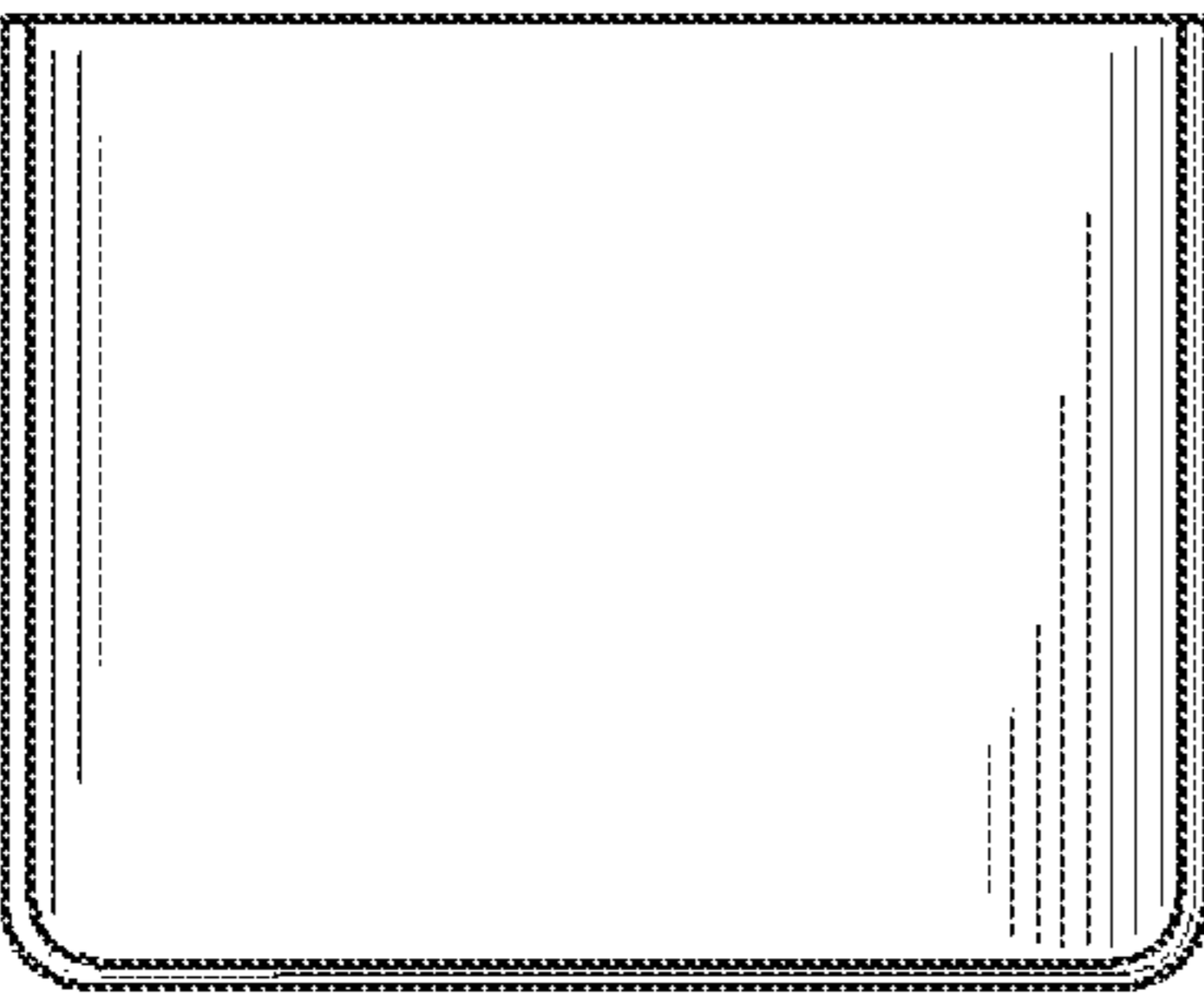


FIG. 5

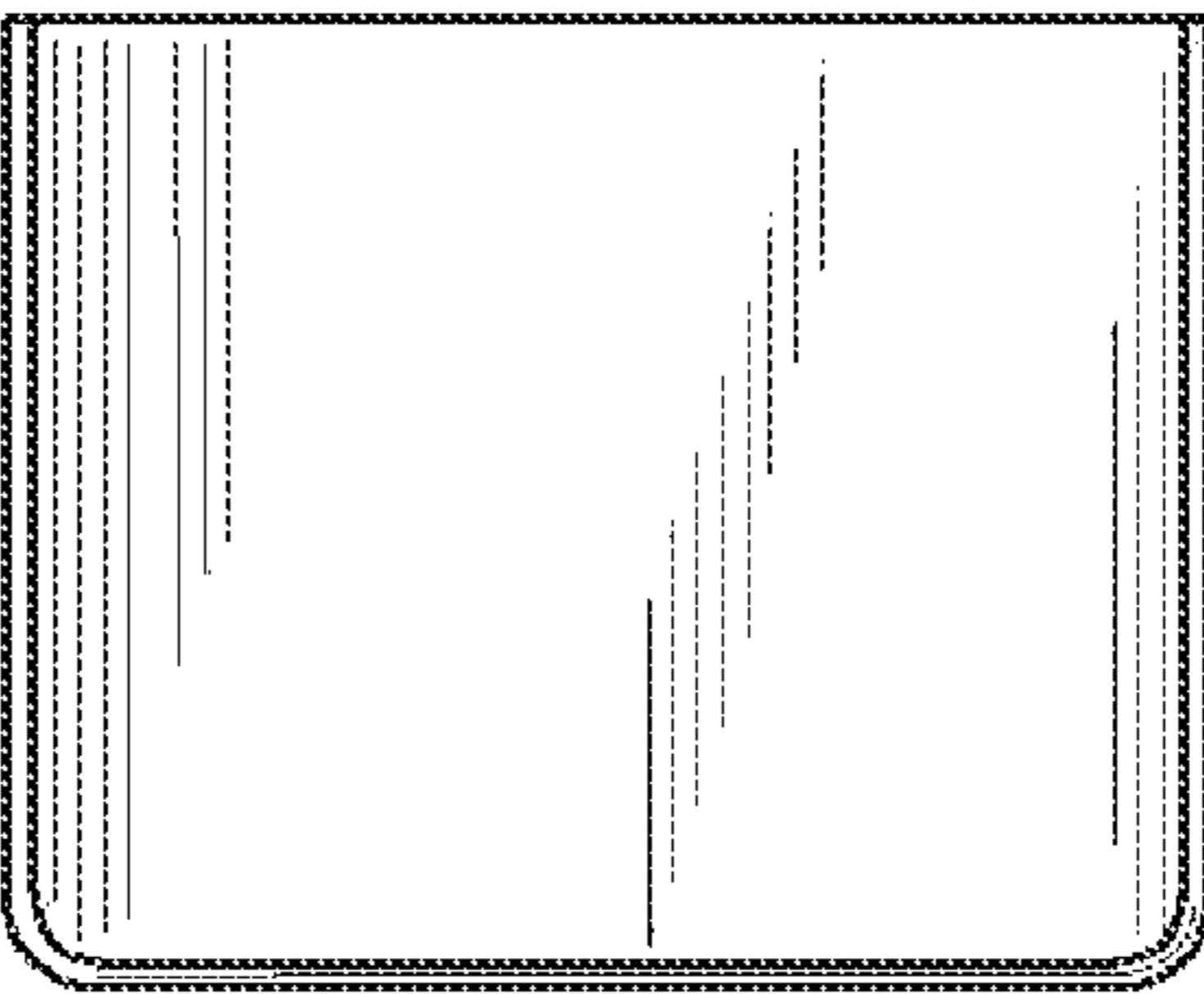


FIG. 6

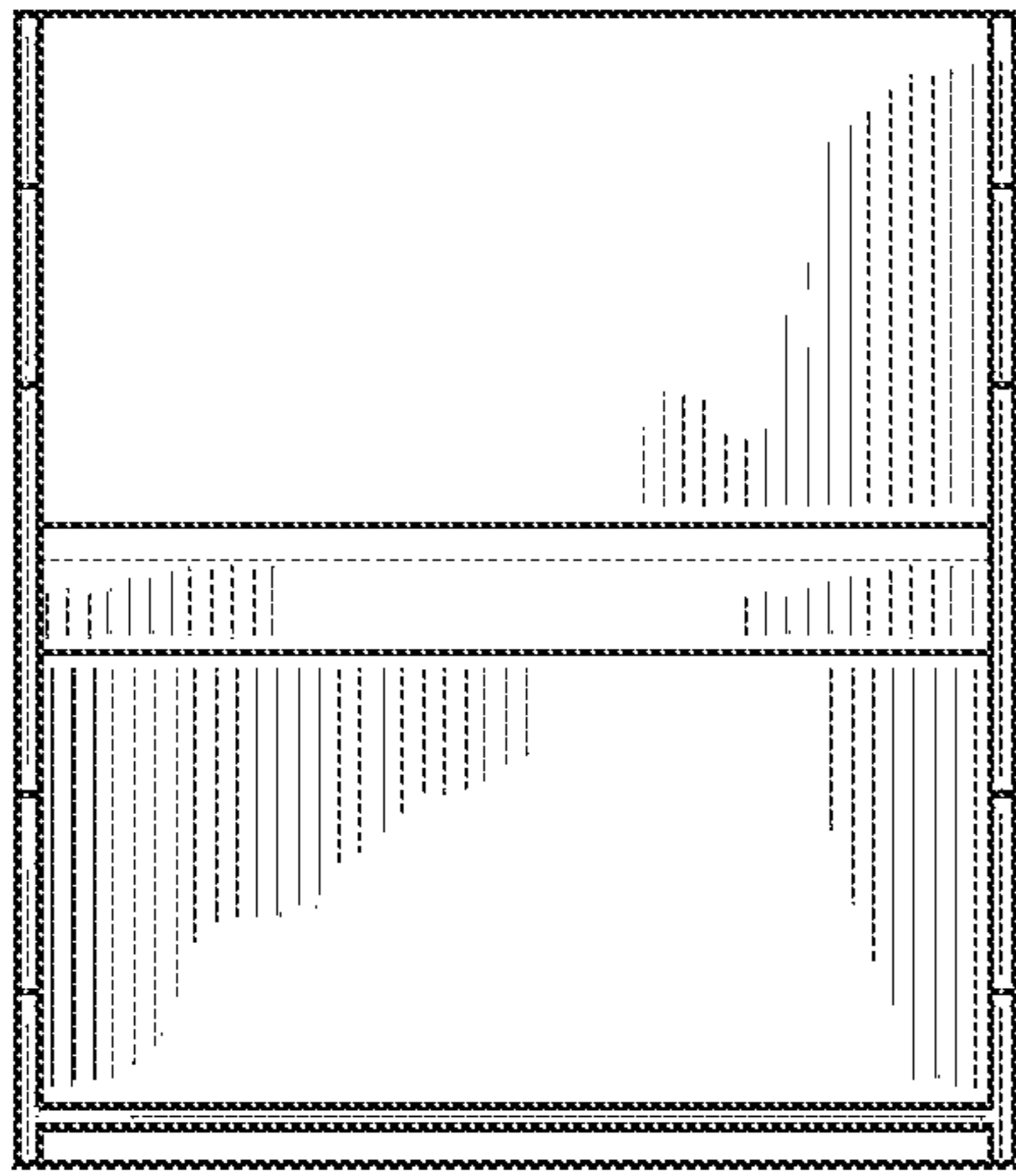


FIG. 7

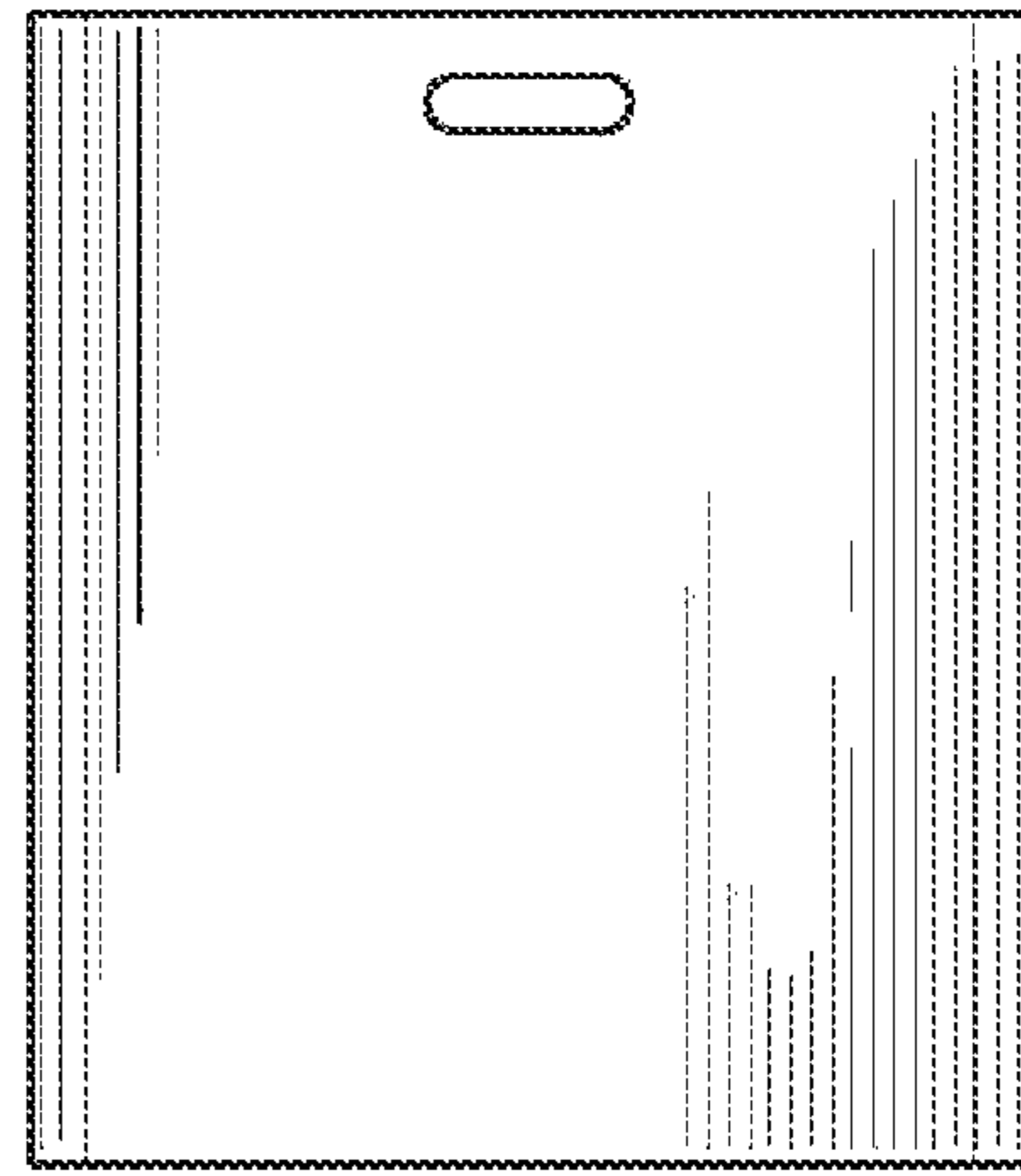


FIG. 8

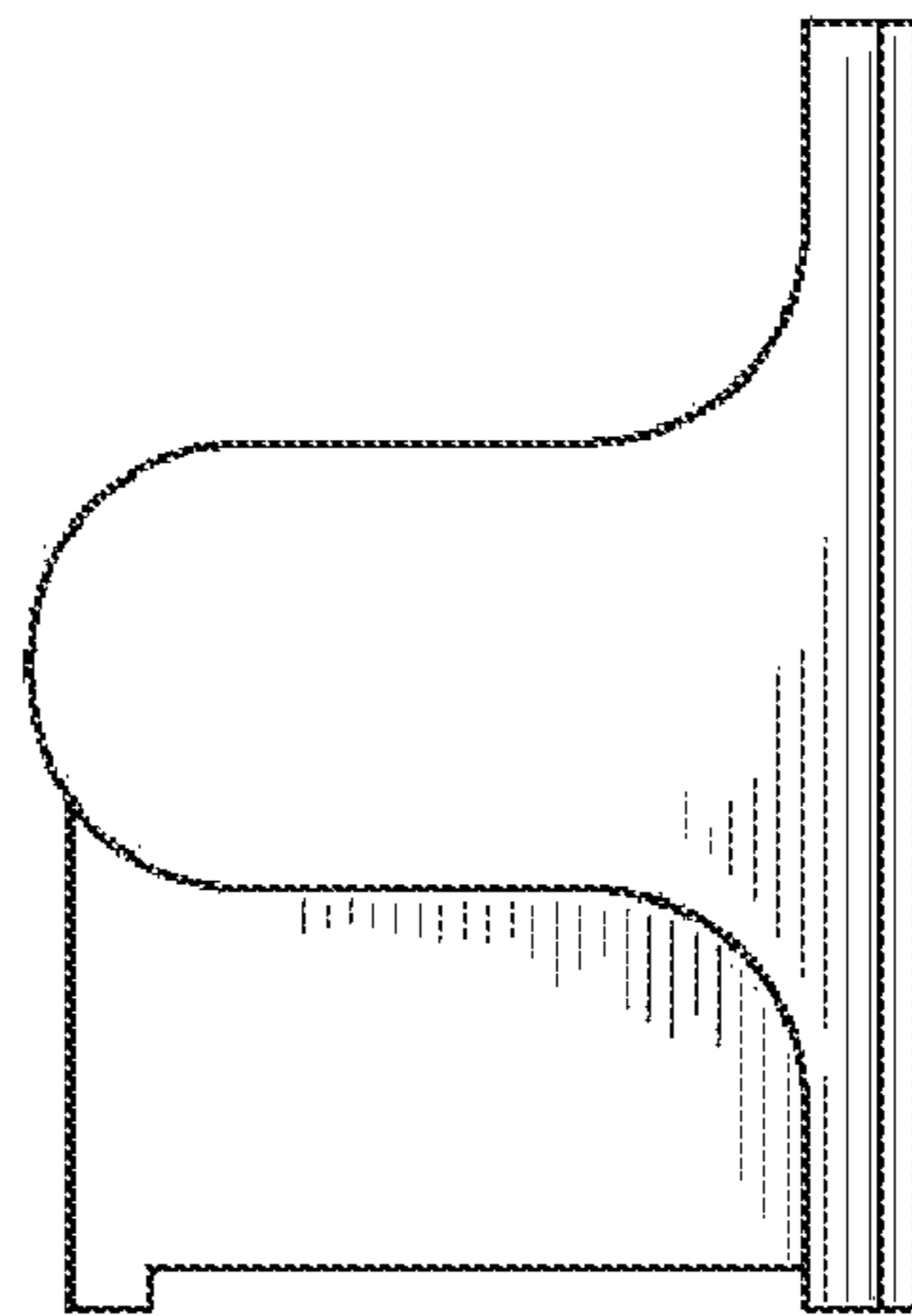


FIG. 9

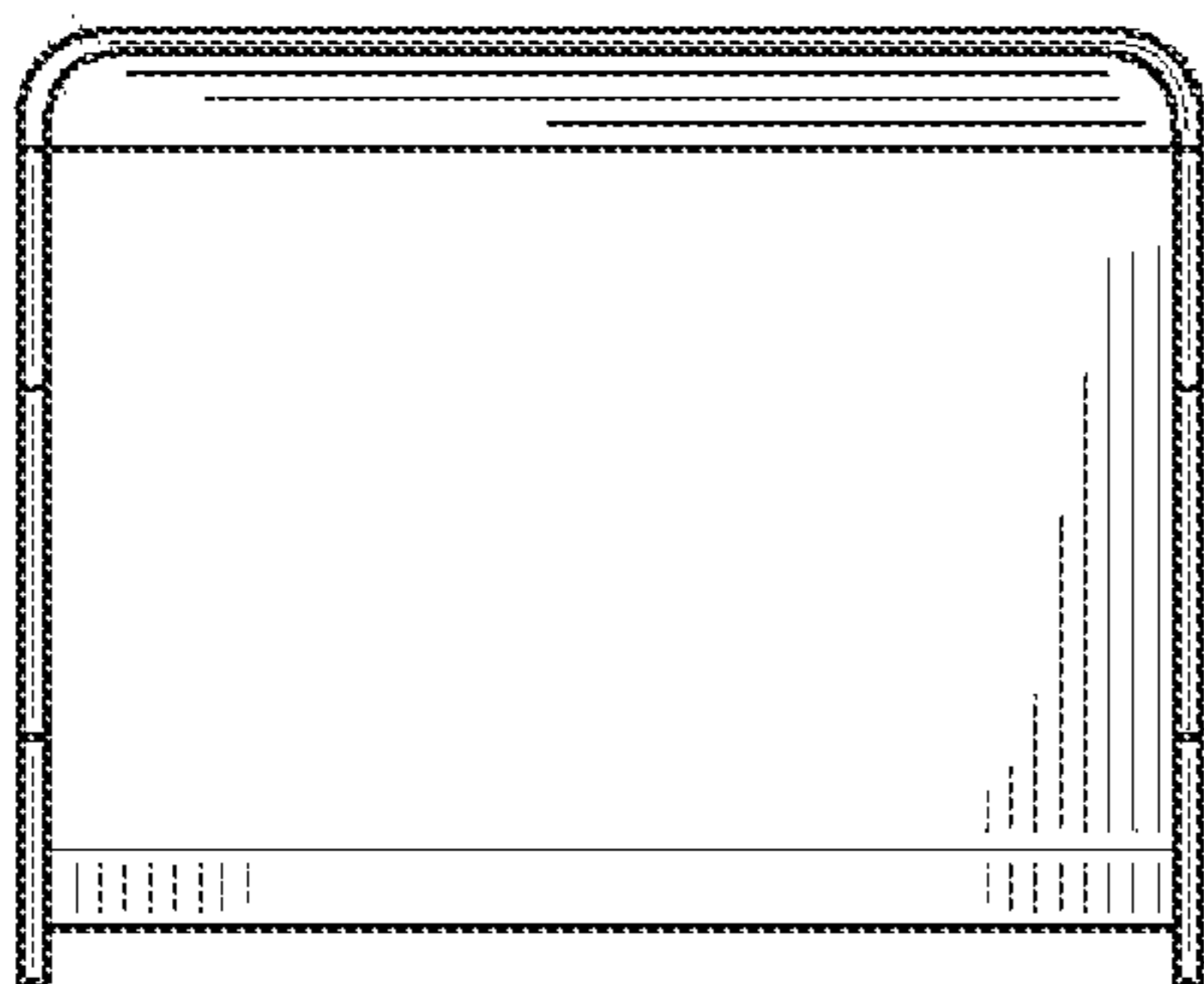


FIG. 10

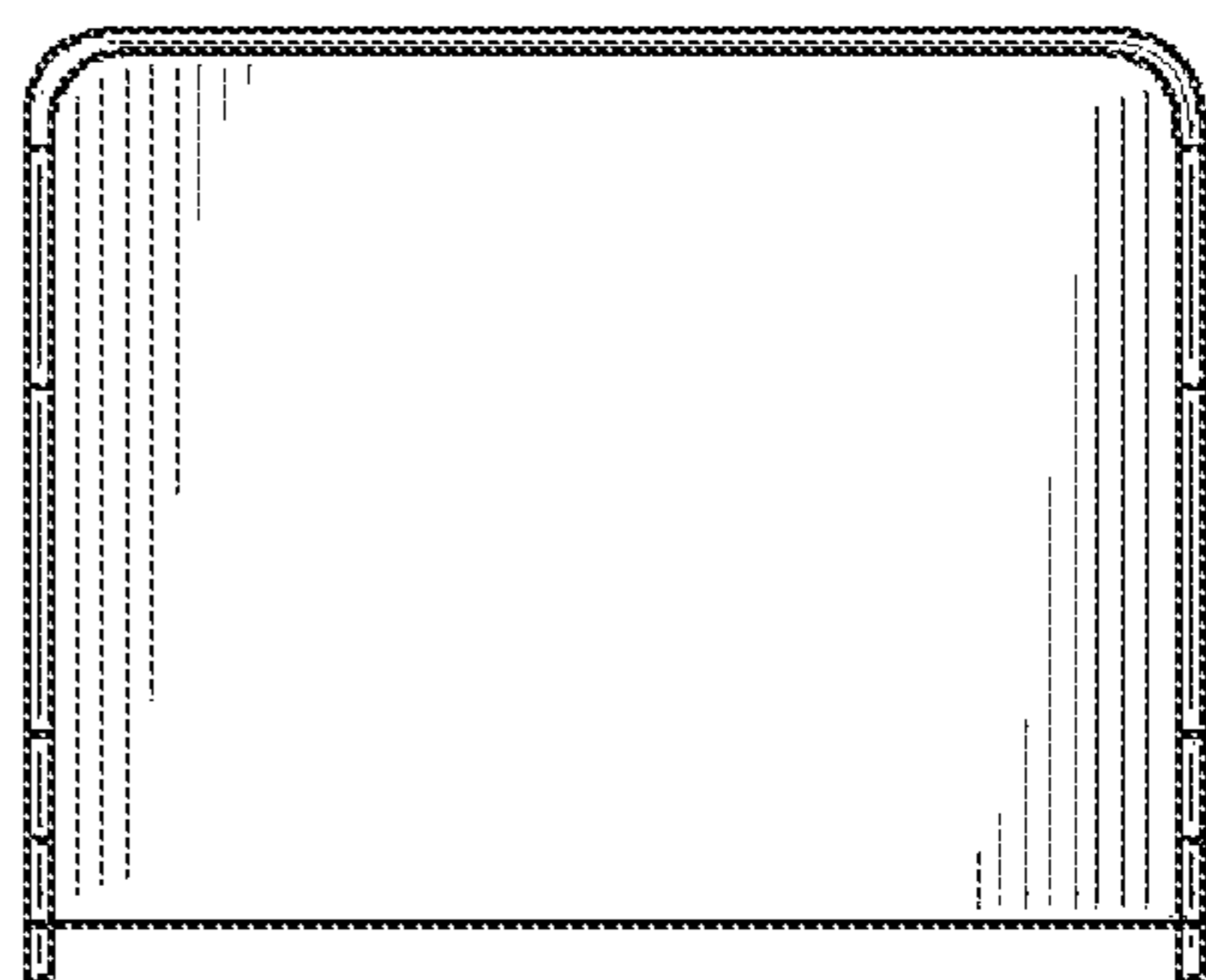


FIG. 11