



US00D587020S

(12) **United States Design Patent**
Goodman et al.

(10) **Patent No.:** **US D587,020 S**
(45) **Date of Patent:** **** Feb. 24, 2009**

(54) **COOKBOOK HOLDER**

(75) Inventors: **Sheldon H. Goodman**, Solon, OH (US);
Omer I. Sazir, Cleveland, OH (US)

(73) Assignee: **Spectrum Diversified Designs, Inc.**,
Streetsboro, OH (US)

(**) Term: **14 Years**

(21) Appl. No.: **29/303,543**

(22) Filed: **Feb. 12, 2008**

(51) **LOC (9) Cl.** **06-04**

(52) **U.S. Cl.** **D6/313**

(58) **Field of Classification Search** D6/411,
D6/313, 300, 463, 462; 211/32, 85.15, 206,
211/181.1, 59.1, 118, 182, 41.1, 41.4, 13.1,
211/85.6, 42; 99/419; D19/91

See application file for complete search history.

(56) **References Cited**

U.S. PATENT DOCUMENTS

547,856 A * 10/1895 Matthies 211/32
D170,098 S * 7/1953 Swansom D6/468
2,682,956 A * 7/1954 Pike 211/85.15
D176,872 S * 2/1956 Marcus D6/411

3,532,224 A * 10/1970 Grubb et al. 211/206
D246,593 S * 12/1977 Paquette D19/90
4,175,602 A * 11/1979 Cavalaris et al. 141/390
4,458,585 A * 7/1984 Erbach 99/419
D278,354 S * 4/1985 Mahowald D19/91

* cited by examiner

Primary Examiner—Janice E Seeger

Assistant Examiner—Sydney R Buffalow

(74) *Attorney, Agent, or Firm*—Pearne & Gordon LLP

(57) **CLAIM**

The ornamental design for a cookbook holder, as shown and described.

DESCRIPTION

FIG. 1 is a perspective view of a cookbook holder, showing our new design;

FIG. 2 is a front elevational view thereof;

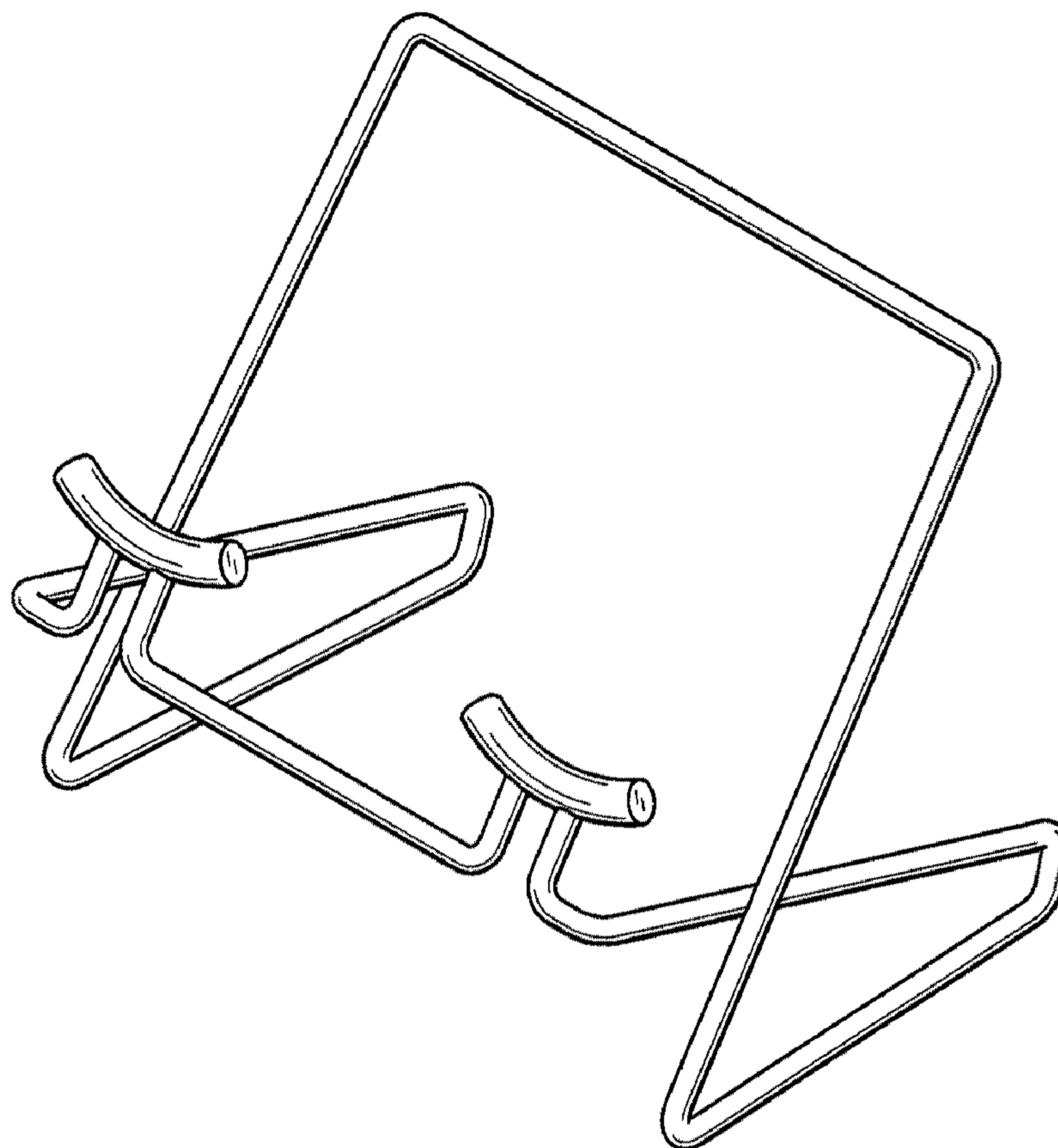
FIG. 3 is a side elevational view thereof;

FIG. 4 is a top plan view thereof;

FIG. 5 is a rear elevational view thereof; and,

FIG. 6. is a bottom plan view thereof.

1 Claim, 2 Drawing Sheets



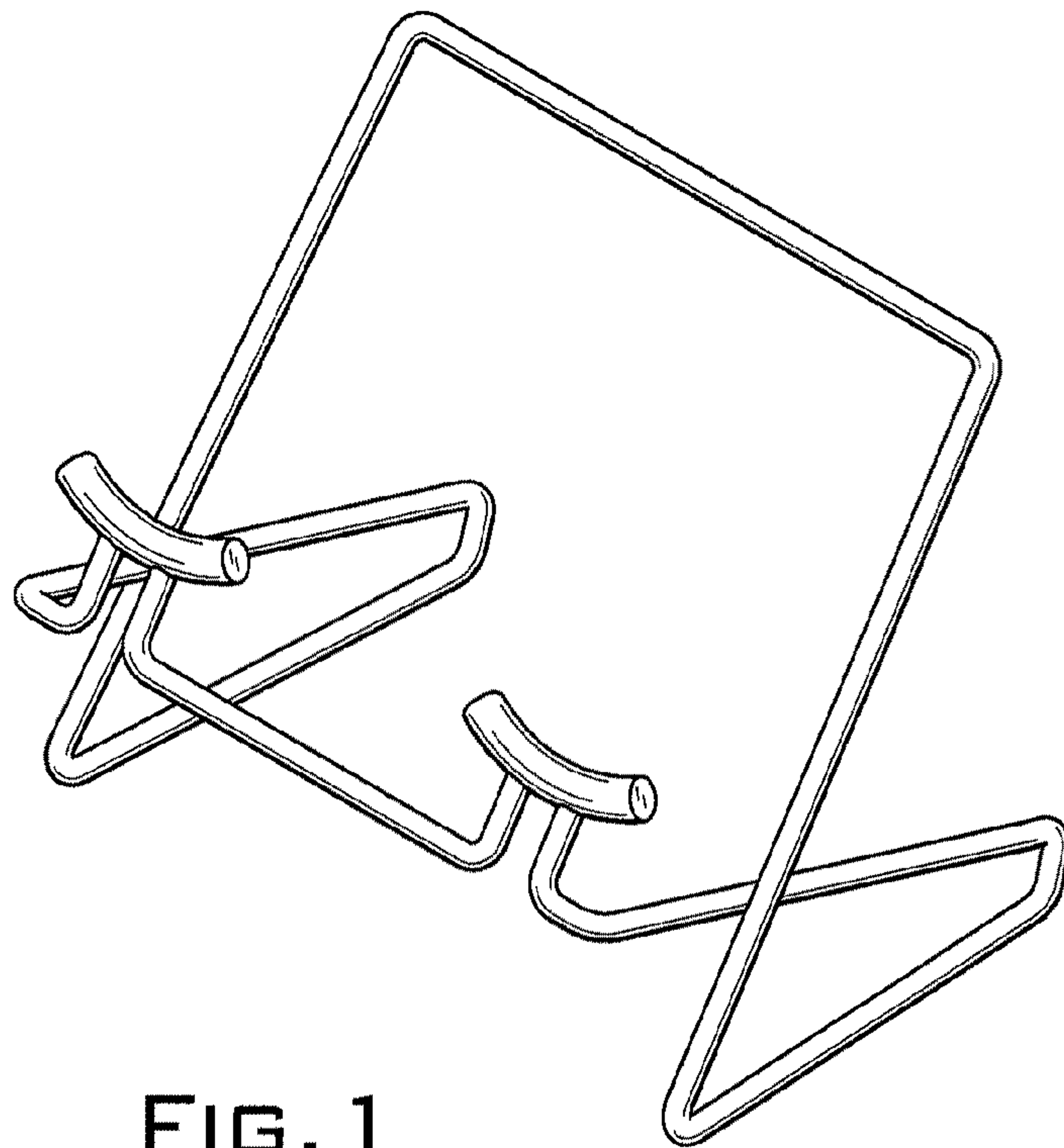


FIG. 1

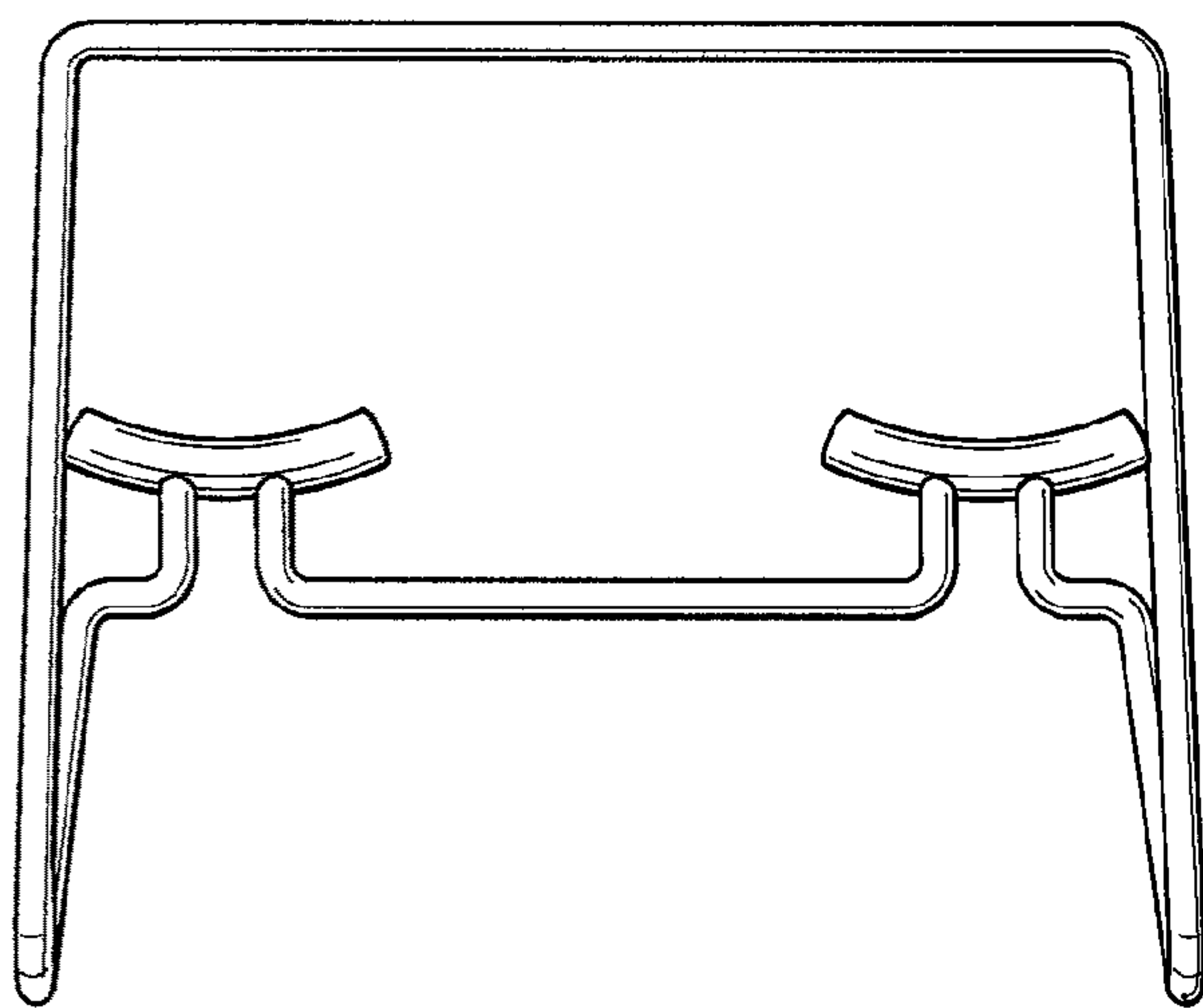


FIG. 2

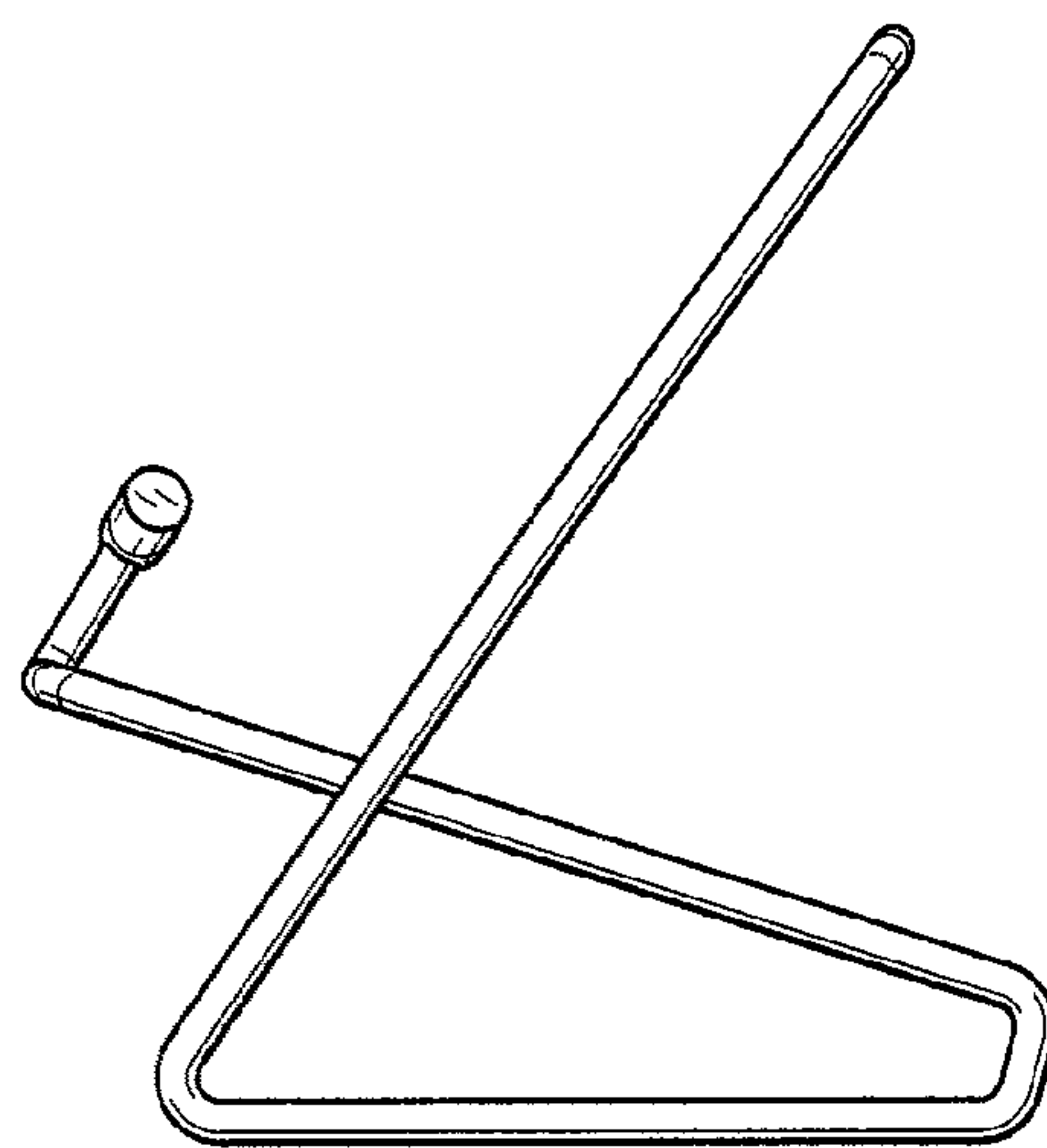


FIG. 3

FIG. 4

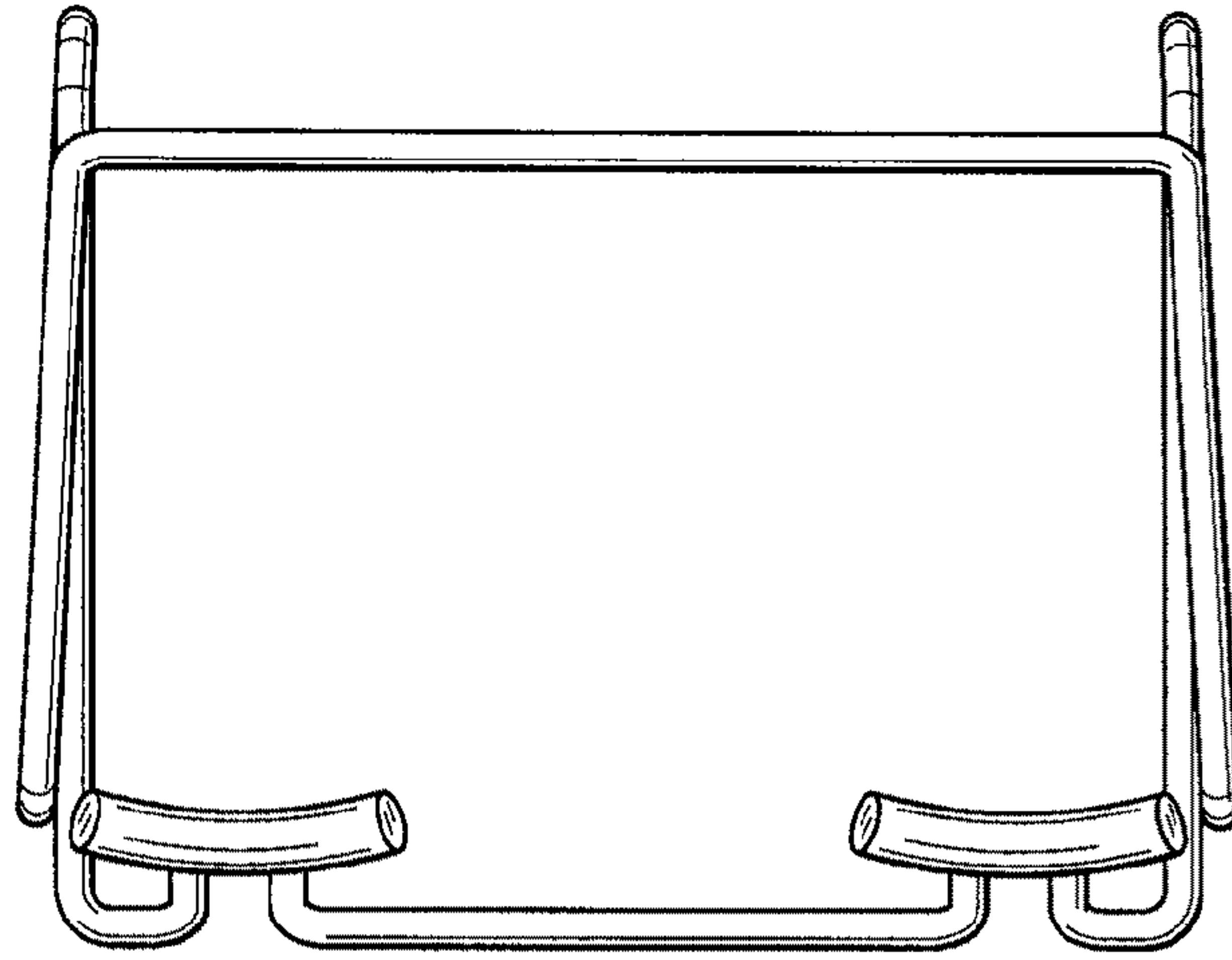


FIG. 5

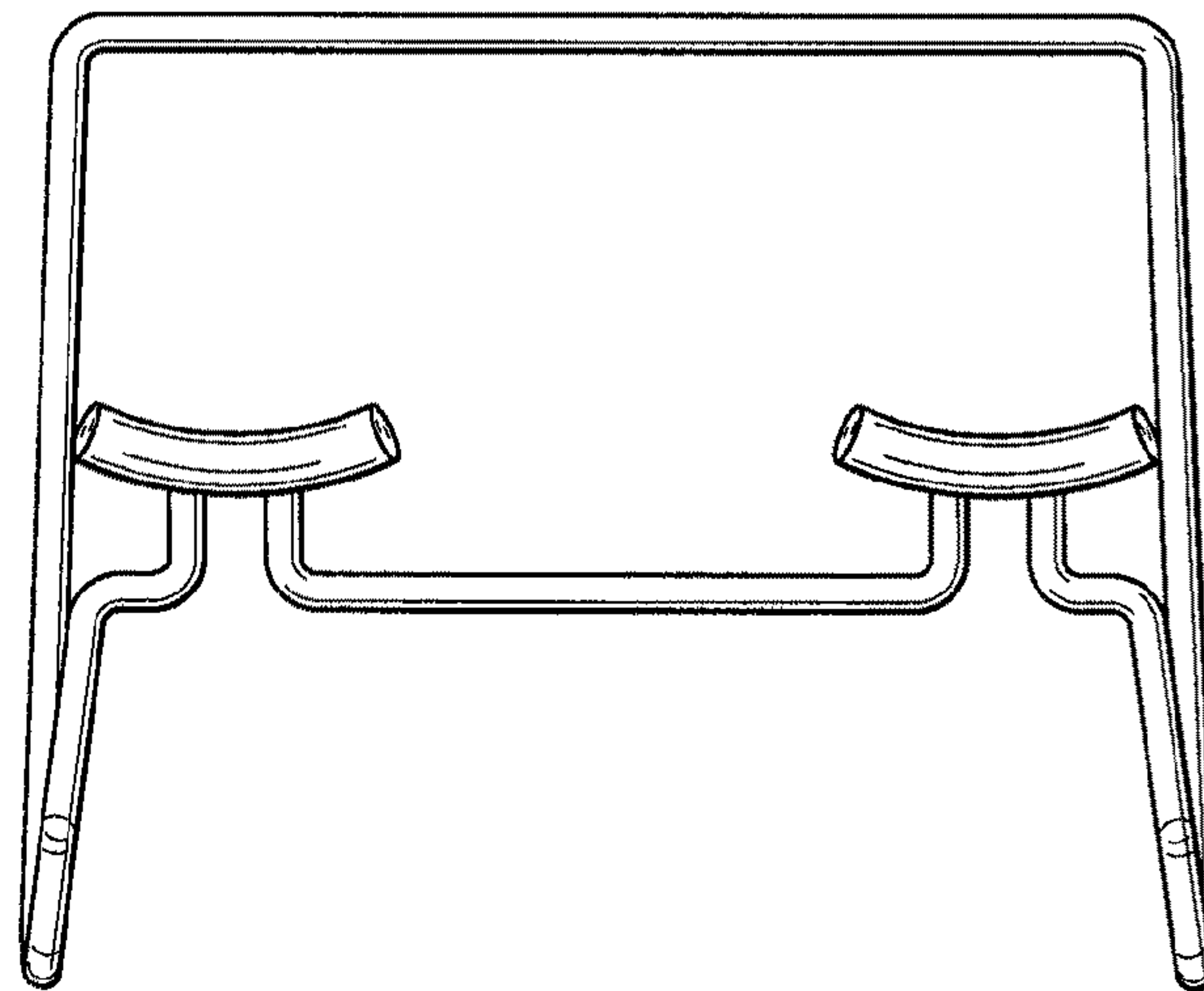


FIG. 6

