



US00D587019S

(12) **United States Design Patent**
Seckinger

(10) **Patent No.:** **US D587,019 S**

(45) **Date of Patent:** **** Feb. 24, 2009**

(54) **GOLF BALL HOLDER**

(75) **Inventor:** **Edwin Seckinger**, N17 W30606
Woodland Hill Dr., Delafield, WI (US)
53018

(73) **Assignee:** **Edwin Seckinger**, Delafield, WI (US)

(**) **Term:** **14 Years**

(21) **Appl. No.:** **29/306,641**

(22) **Filed:** **Apr. 14, 2008**

(51) **LOC (9) Cl.** **06-07**

(52) **U.S. Cl.** **D6/302**

(58) **Field of Classification Search** D6/300-314;
40/700, 768, 800, 735, 798, 725, 711, 743,
40/538; D9/451, 418; D11/132, 131, 133;
D19/75, 82, 84; 428/542.4, 11, 14
See application file for complete search history.

(56) **References Cited**

U.S. PATENT DOCUMENTS

3,715,823 A * 2/1973 Favor et al. 40/743
3,949,506 A * 4/1976 Benkowski 40/711
D260,503 S * 9/1981 Stangarone D11/132
D286,792 S * 11/1986 Foster D19/75
D330,525 S * 10/1992 Grindley, Jr. D11/132

D346,761 S * 5/1994 Milam D11/132
D357,643 S * 4/1995 Ilaria et al. D11/132
D359,928 S * 7/1995 Ilaria et al. D11/132
6,025,040 A * 2/2000 Brockley 428/14
D438,115 S * 2/2001 Caldwell D9/451

* cited by examiner

Primary Examiner—Caron Veynar

Assistant Examiner—Sydney R Buffalow

(74) *Attorney, Agent, or Firm*—Michael Best & Friedrich
LLP

(57) **CLAIM**

We claim the ornamental design for the golf ball holder, as shown and described.

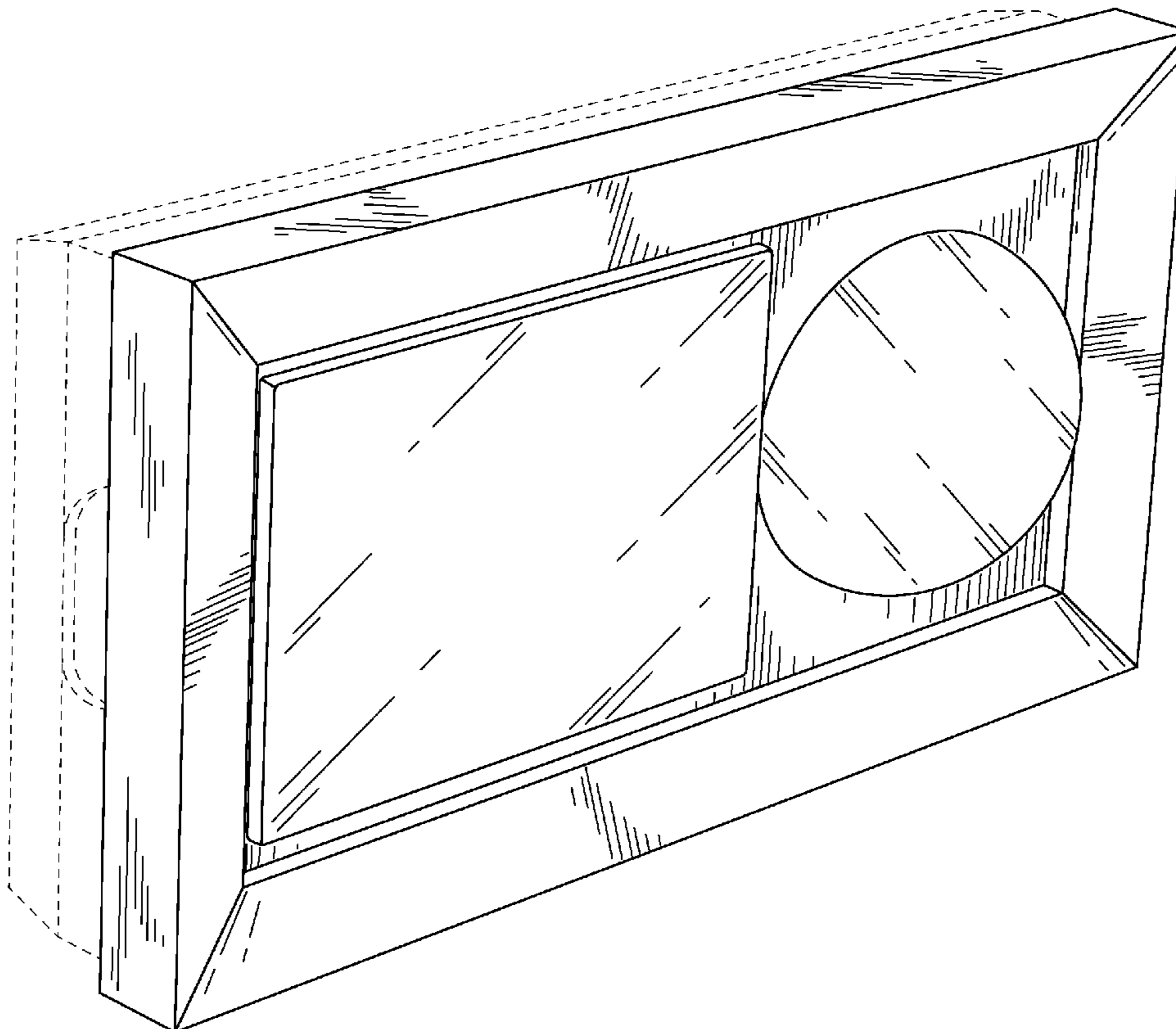
DESCRIPTION

FIG. 1 is a perspective view of a golf ball holder embodying the invention;

FIG. 2 is a front view of the golf ball holder of FIG. 1; and,
FIG. 3 is a right side view of the golf ball holder of FIG. 1.

The broken line showing the environment is for illustrative purposes only and forms no part of the claimed design. The top view, the bottom view, the left side view, and the rear view, form no part of the claimed design.

1 Claim, 3 Drawing Sheets



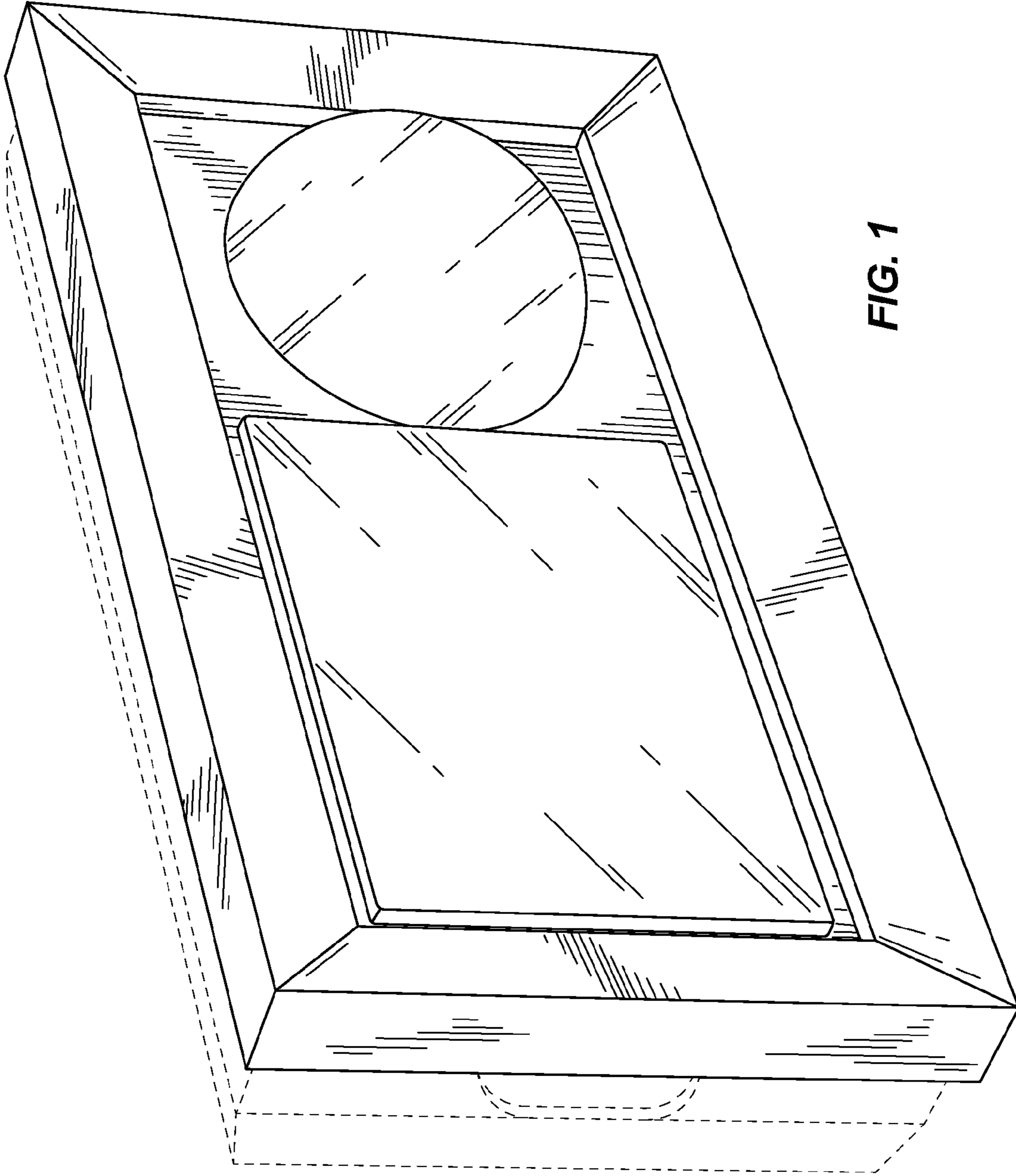


FIG. 1

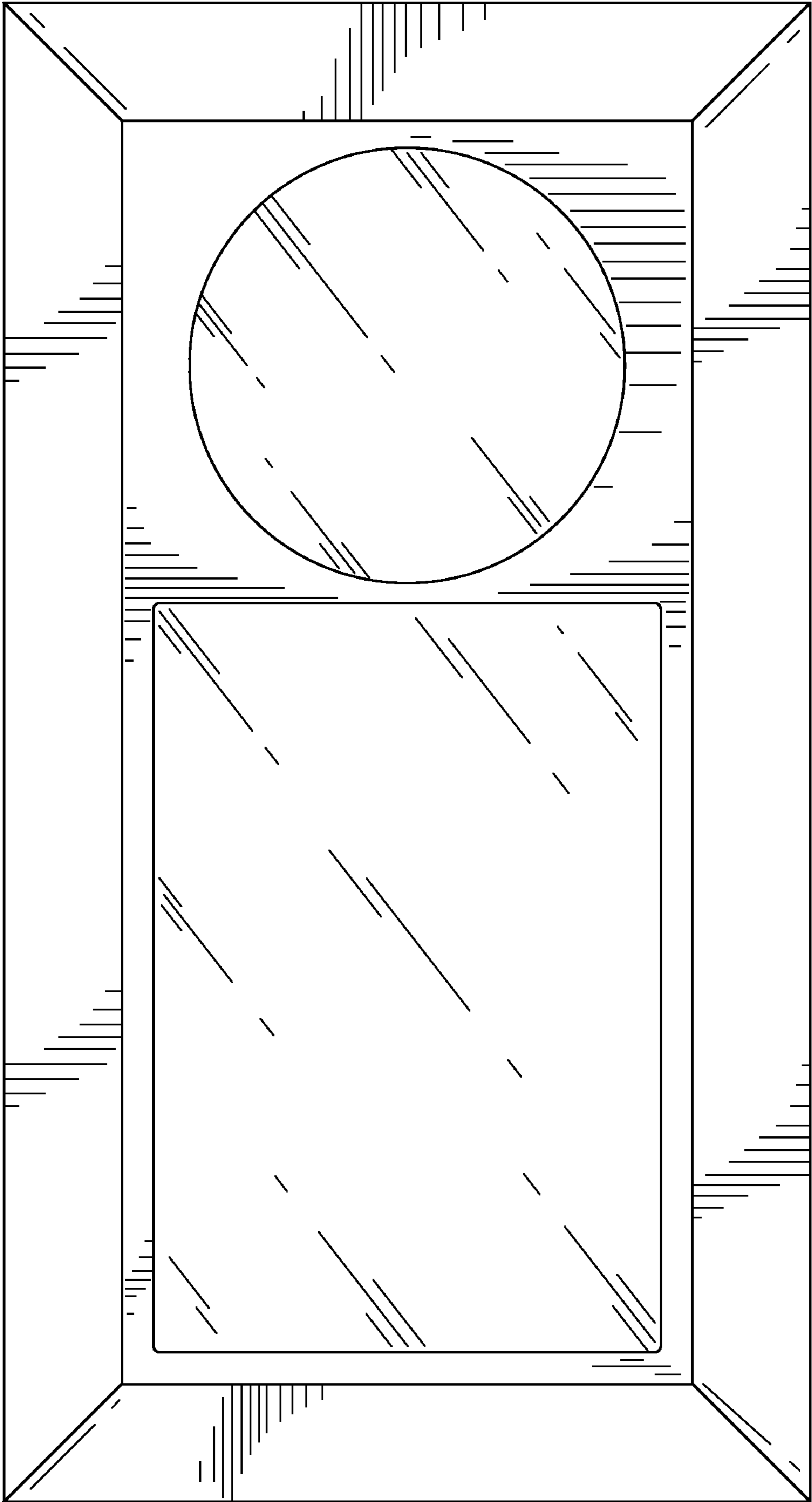


FIG. 2

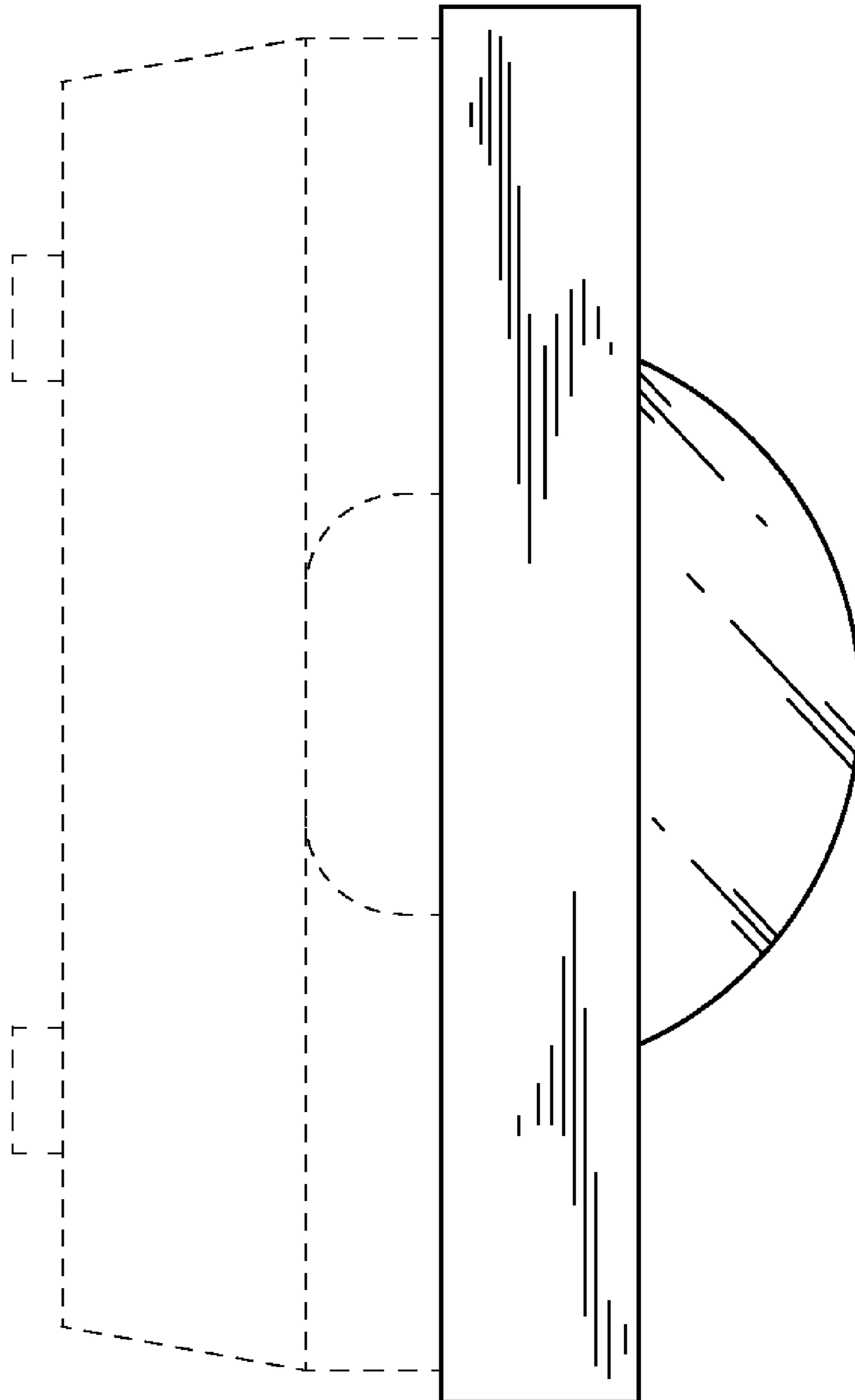


FIG. 3