



US00D587018S

(12) **United States Design Patent**
Seckinger

(10) **Patent No.:** **US D587,018 S**

(45) **Date of Patent:** **** Feb. 24, 2009**

(54) **CORK HOLDER**

(75) Inventor: **Edwin Seckinger**, N17 W30606
Woodland Hill Dr., Delafield, WI (US)
53018

(73) Assignee: **Edwin Seckinger**, Delafield, WI (US)

(**) Term: **14 Years**

(21) Appl. No.: **29/297,654**

(22) Filed: **Nov. 15, 2007**

(51) **LOC (9) Cl.** **06-07**

(52) **U.S. Cl.** **D6/302**

(58) **Field of Classification Search** D6/300-314;
40/700, 768, 800, 735, 798, 725, 711, 743,
40/538; D9/451, 418; D11/132, 131, 133;
D19/75, 82, 84; 428/542.4, 11, 14
See application file for complete search history.

(56) **References Cited**

U.S. PATENT DOCUMENTS

D259,983 S * 7/1981 English D6/302
D260,503 S * 9/1981 Stangarone D11/132
D330,525 S * 10/1992 Grindley, Jr. D11/132

D357,643 S * 4/1995 Ilaria et al. D11/132
D359,928 S * 7/1995 Ilaria et al. D11/132
6,015,150 A * 1/2000 Giguere 273/157 R

* cited by examiner

Primary Examiner—Caron Veynar

Assistant Examiner—Sydney R Buffalow

(74) *Attorney, Agent, or Firm*—Michael Best & Friedrich
LLP

(57) **CLAIM**

We claim the ornamental design for the cork holder, as shown
and described.

DESCRIPTION

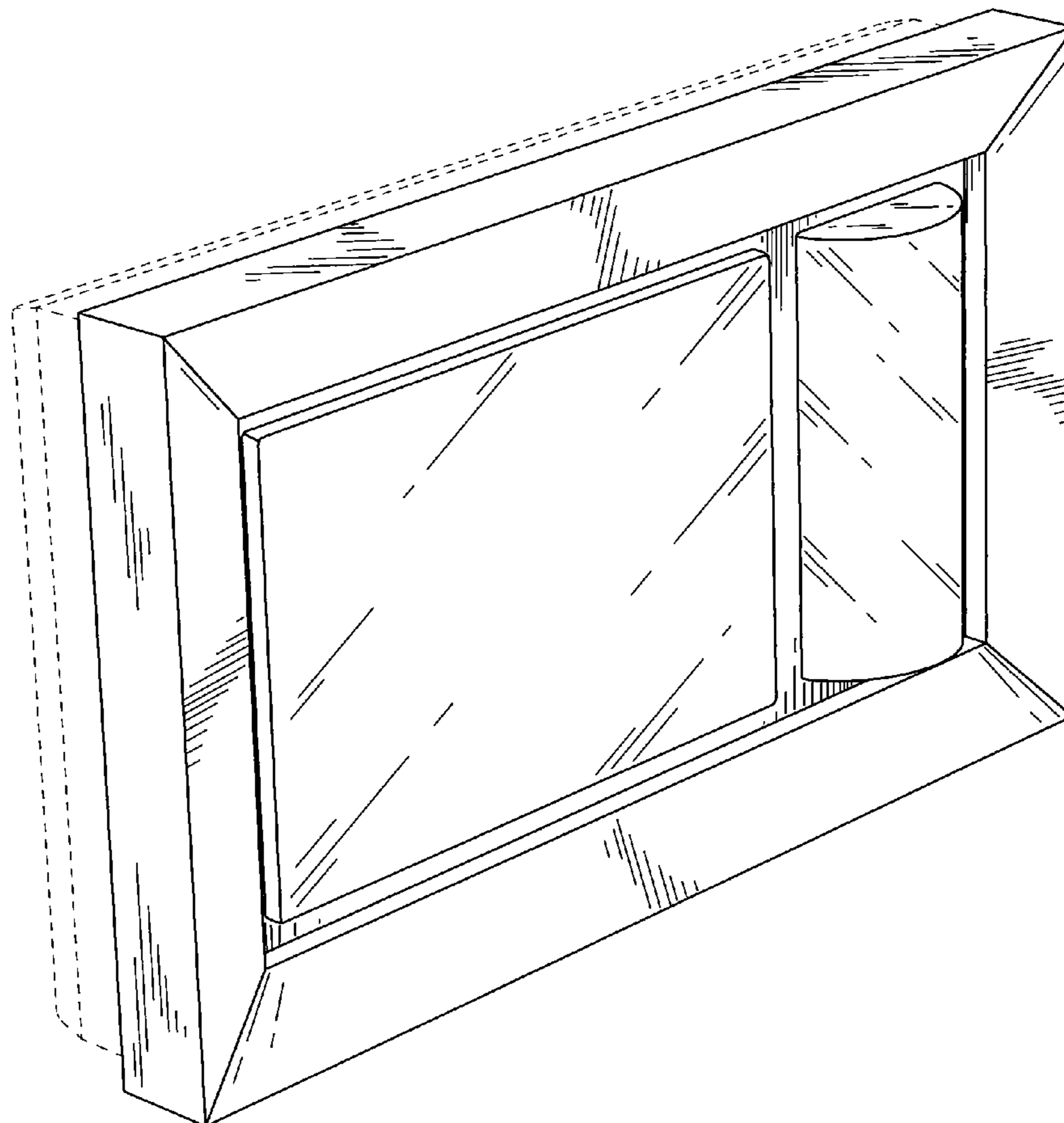
FIG. 1 is a perspective view of a cork holder embodying the
invention;

FIG. 2 is a front view of the cork holder of FIG. 1; and,

FIG. 3 is a bottom view of the cork holder of FIG. 1.

The broken line showing the environment is for illustrative
purposes only and forms no part of the claimed design. The
top view, the right side view, the left side view, and the rear
view, form no part of the claimed design.

1 Claim, 3 Drawing Sheets



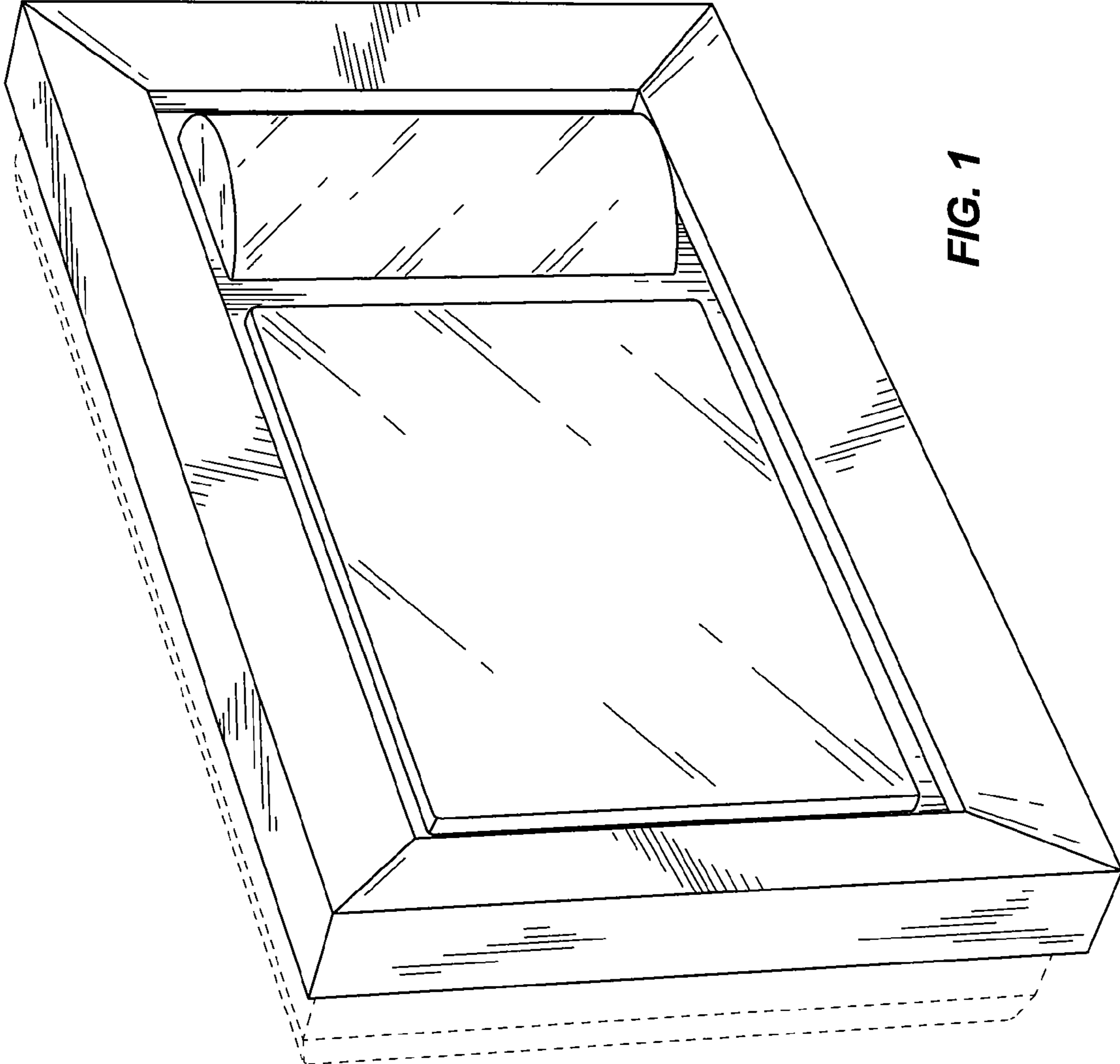


FIG. 1

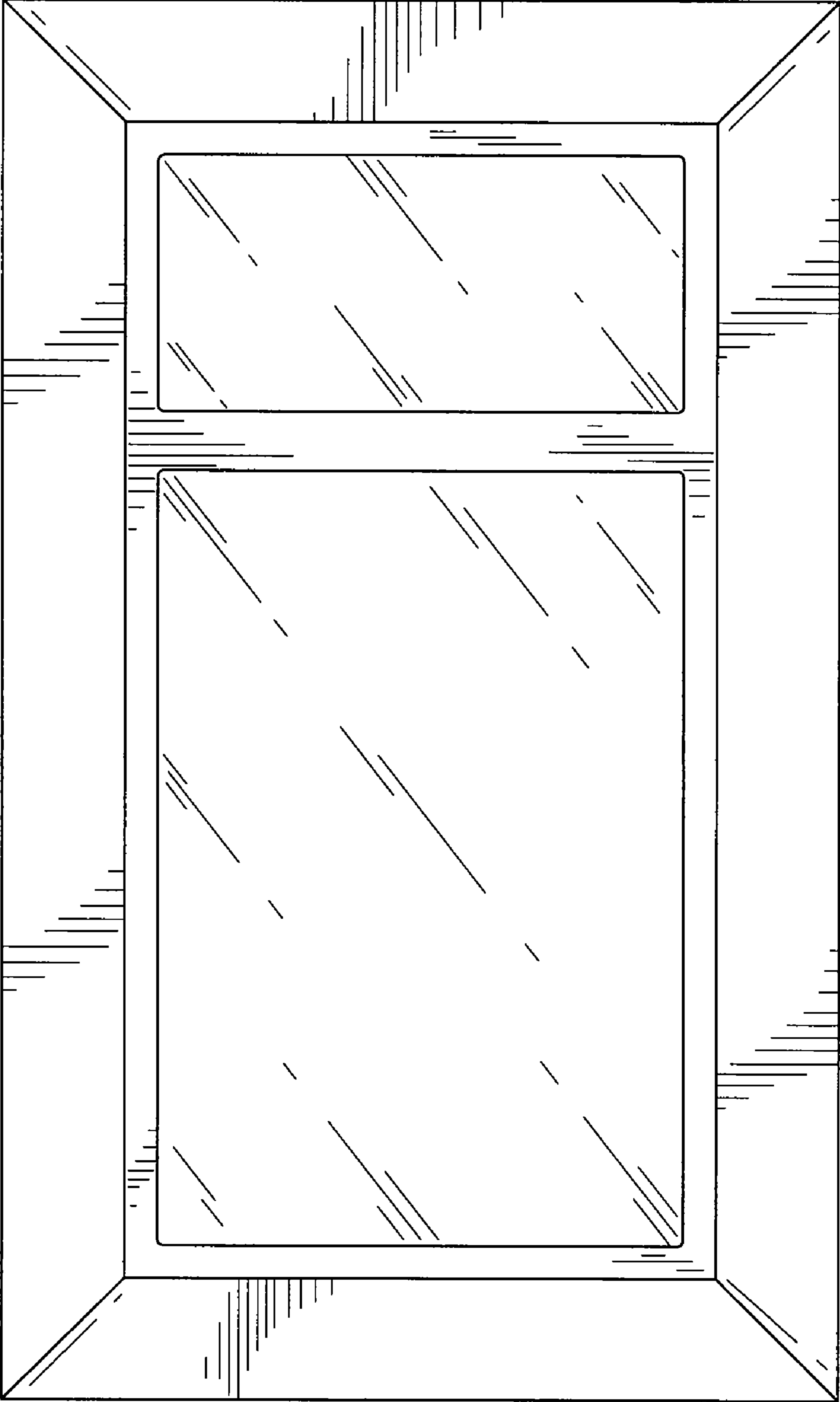


FIG. 2

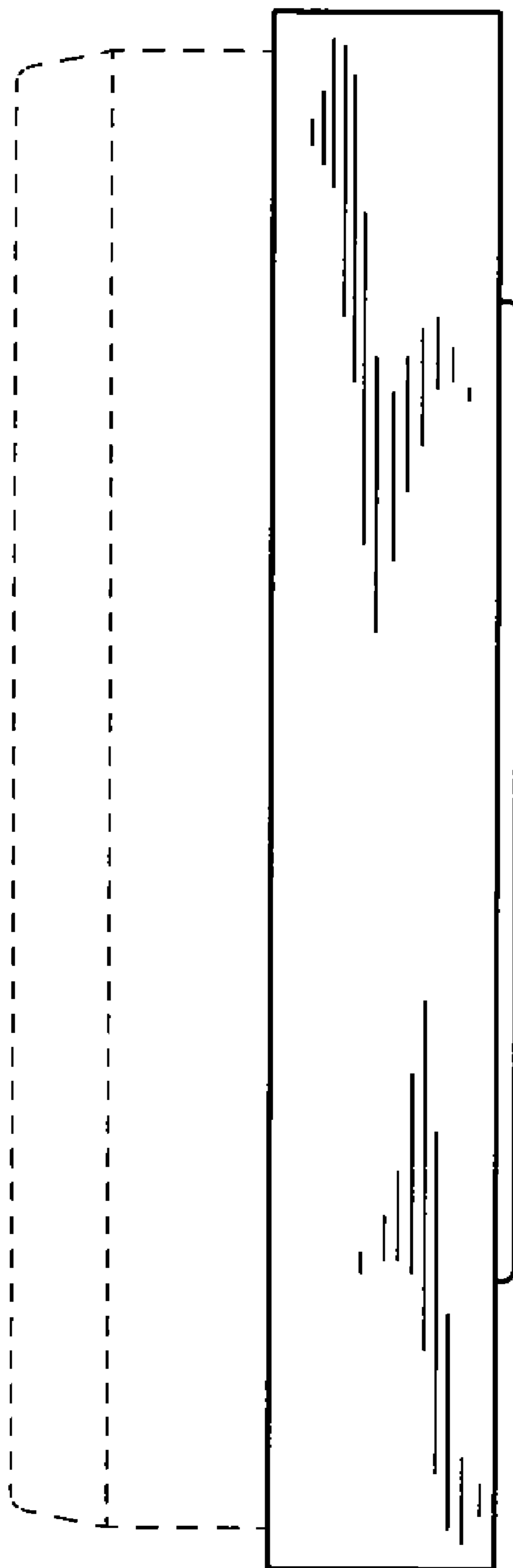


FIG. 3