



US00D587012S

(12) **United States Design Patent**
Webb

(10) **Patent No.:** **US D587,012 S**
(45) **Date of Patent:** **** Feb. 24, 2009**

(54) **GARMENT BAG**

(75) **Inventor:** **Richard Sebastian Hawksley Webb,**
Surrey (GB)

(73) **Assignee:** **Lakeside Pte. Ltd.,** Singapore (SG)

(**) **Term:** **14 Years**

(21) **Appl. No.:** **29/290,459**

(22) **Filed:** **Dec. 7, 2007**

(30) **Foreign Application Priority Data**

Jun. 8, 2007 (SG) D2007/644/E

(51) **LOC (9) Cl.** **03-01**

(52) **U.S. Cl.** **D3/299;** D9/711

(58) **Field of Classification Search** D3/233,
D3/273, 299, 300-301; D9/415, 702, 704,
D9/709, 711, 715, 720, 499; 206/216, 287.1,
206/292, 390

See application file for complete search history.

(56) **References Cited**

U.S. PATENT DOCUMENTS

- 1,094,009 A * 4/1914 Parkhurst 206/373
- D135,106 S * 2/1943 Schenker D3/299
- D168,393 S * 12/1952 Bourcart D3/299
- 3,999,639 A * 12/1976 Walters 190/102
- 4,390,096 A * 6/1983 Goldenberg 206/390
- D276,004 S * 10/1984 Mink D3/299
- D312,899 S * 12/1990 Faulkner D32/8
- D324,953 S * 3/1992 Swanner D12/416
- D336,986 S * 7/1993 Seymour D3/233
- D336,988 S * 7/1993 Wehrley D3/278
- D360,795 S * 8/1995 Saunders D6/601
- 5,628,398 A * 5/1997 Jackson 206/287.1
- 5,887,711 A * 3/1999 McAuliffe 206/292
- D499,548 S * 12/2004 Deutschendorf et al. D3/278

- 6,830,148 B2 * 12/2004 Glaser et al. 206/287.1
- 7,207,426 B2 * 4/2007 Godshaw et al. 190/1
- D552,349 S * 10/2007 Greiner D3/279
- D560,511 S * 1/2008 Kim et al. D9/702
- D565,404 S * 4/2008 Doherty D9/415

FOREIGN PATENT DOCUMENTS

GB 2433024 A * 6/2007

OTHER PUBLICATIONS

Sky Roll Roll-Up Garment Bag. Downloaded Oct. 12, 2008 at <http://images.google.com/imgres?imgurl=http://ecx.images-amazon.com/i....>*

* cited by examiner

Primary Examiner—Philip S Hyder

Assistant Examiner—Roselyne Cody

(74) *Attorney, Agent, or Firm*—Dickstein Shapiro LLP

(57) **CLAIM**

The ornamental design for a garment bag, as shown and described.

DESCRIPTION

FIG. 1 is a view from above, one side and one end showing my new design for a garment bag;

FIG. 2 is a view from above, one side and one end of the garment bag in a rolled position;

FIG. 3 is a view of the design of FIG. 1 from one end;

FIG. 4 is a view thereof from other end;

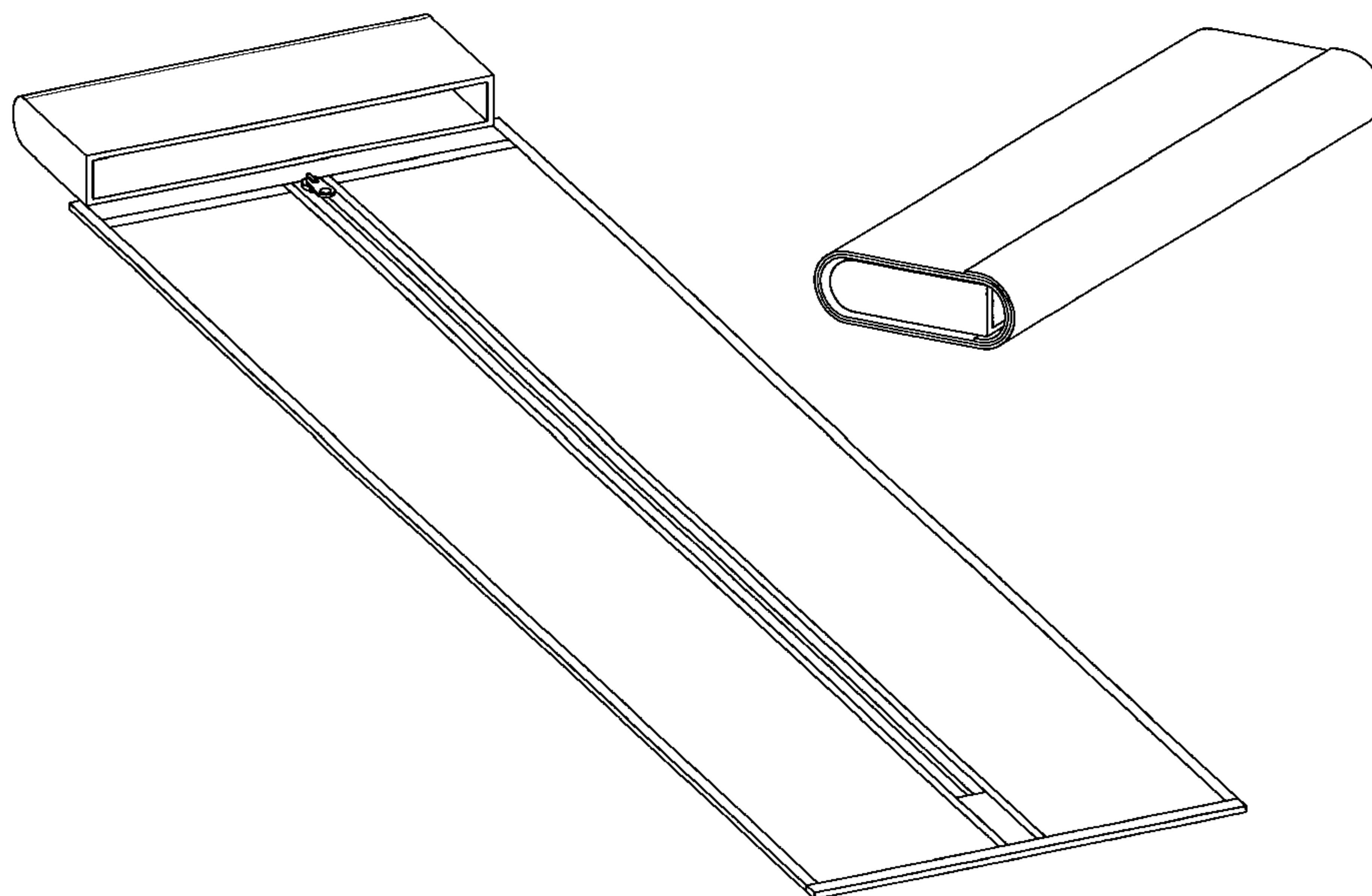
FIG. 5 is a top view thereof;

FIG. 6 is a bottom view thereof;

FIG. 7 is a side view thereof; and,

FIG. 8 is the other side view thereof.

1 Claim, 6 Drawing Sheets



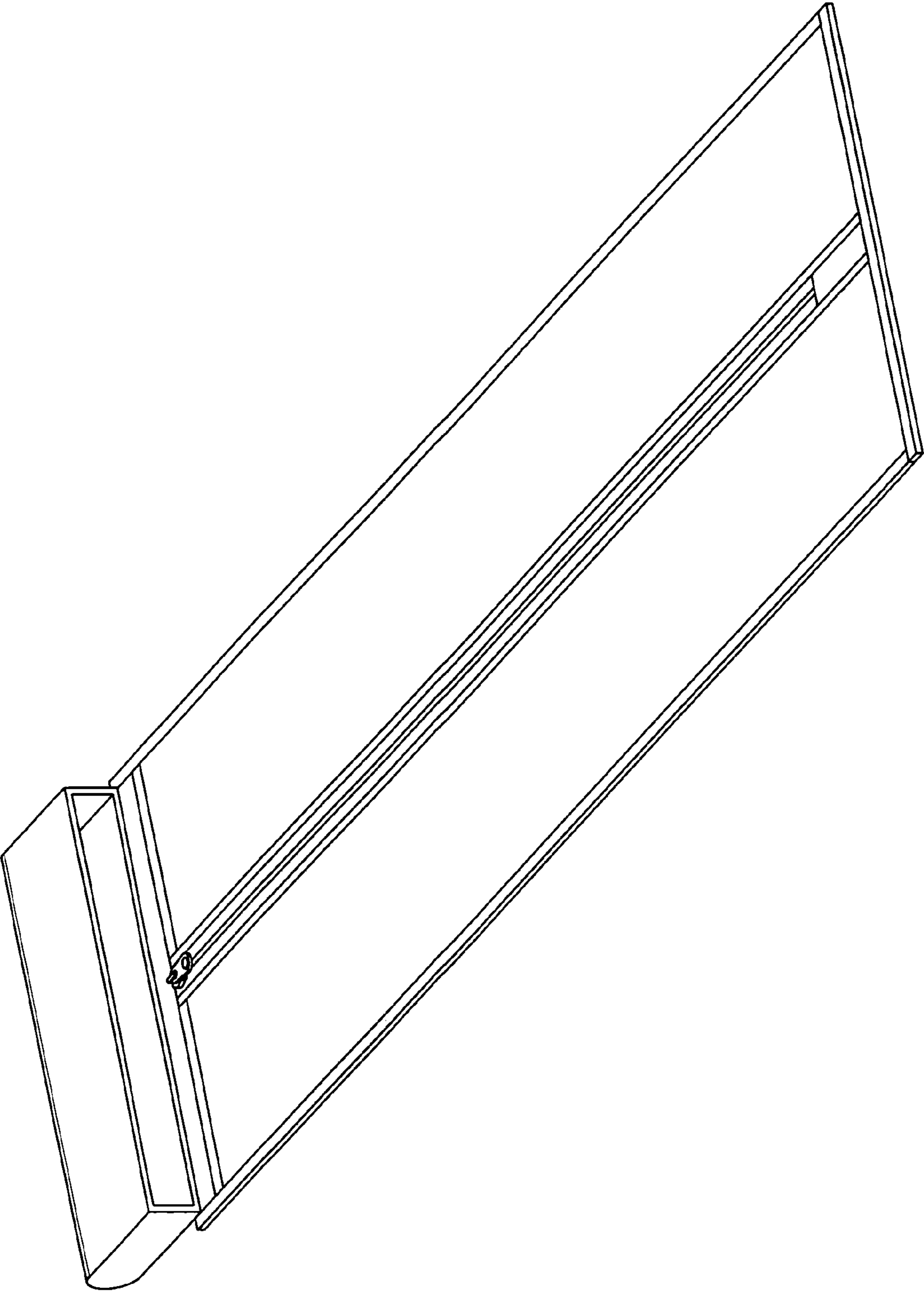


FIG. 1

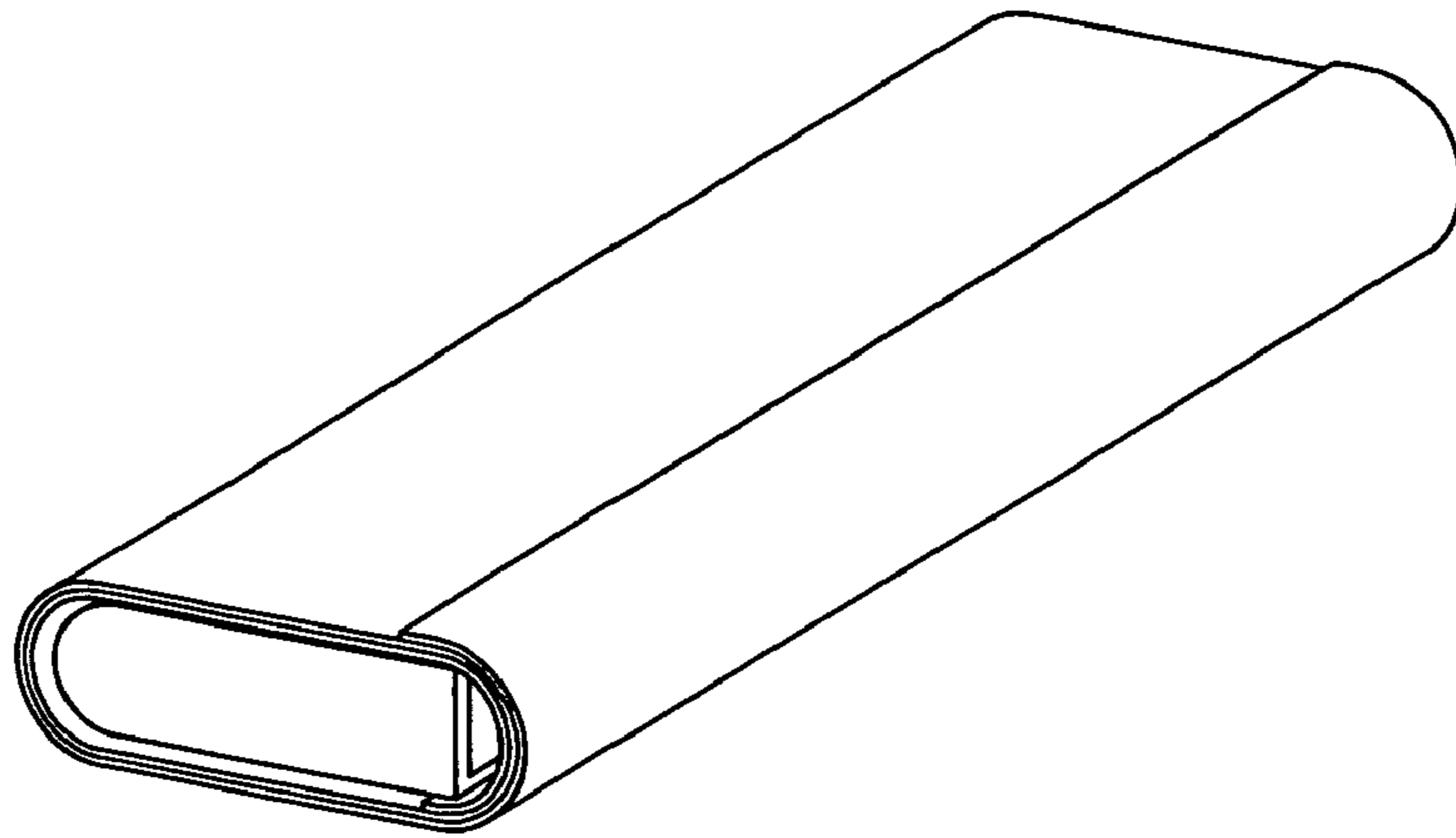


FIG. 2

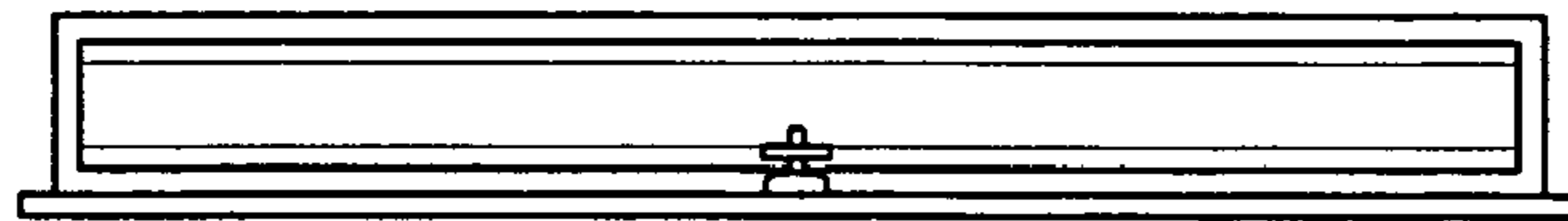


FIG. 3

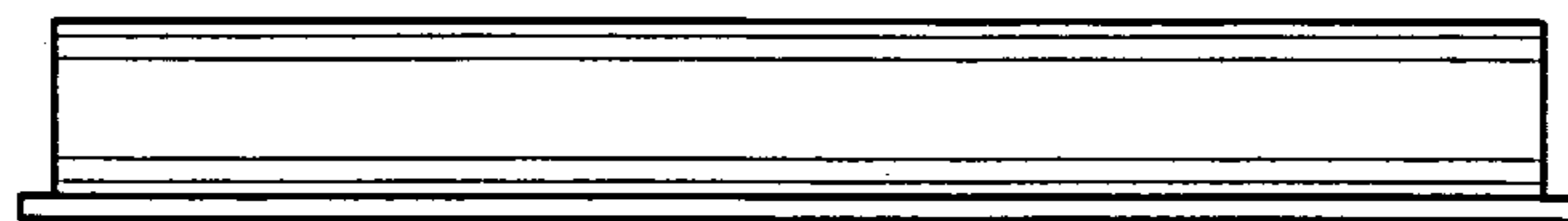


FIG. 4

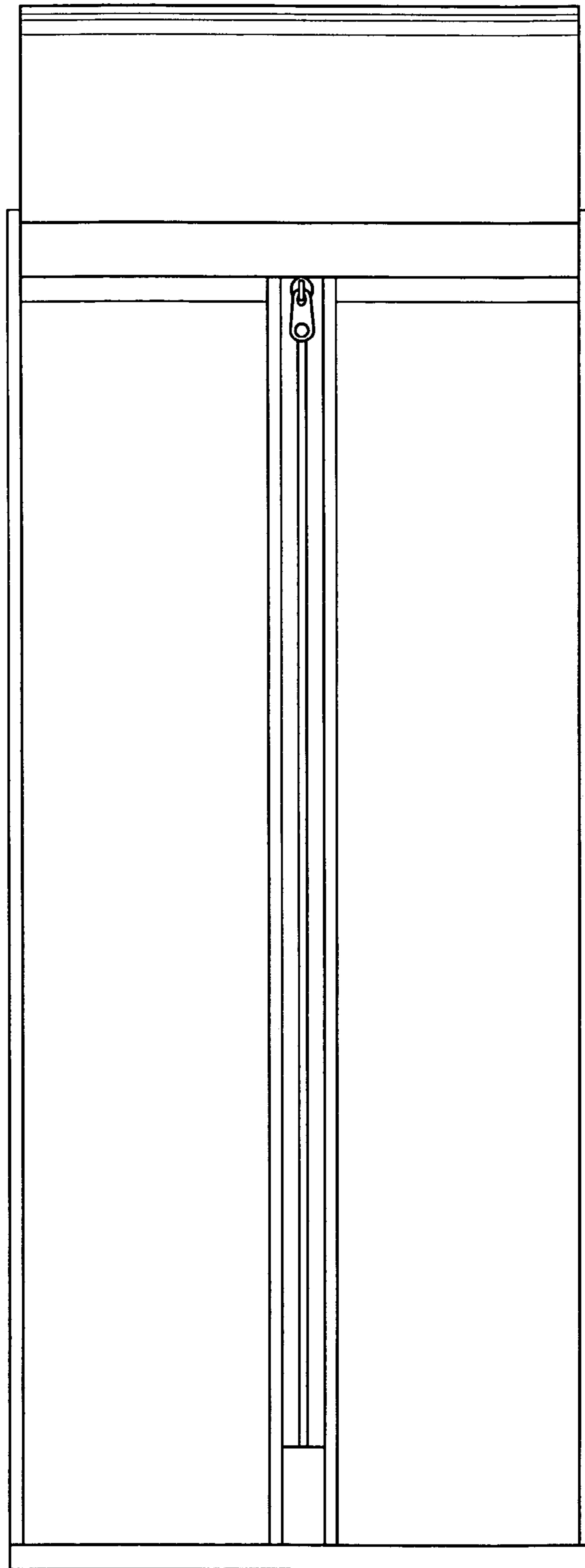


FIG. 5

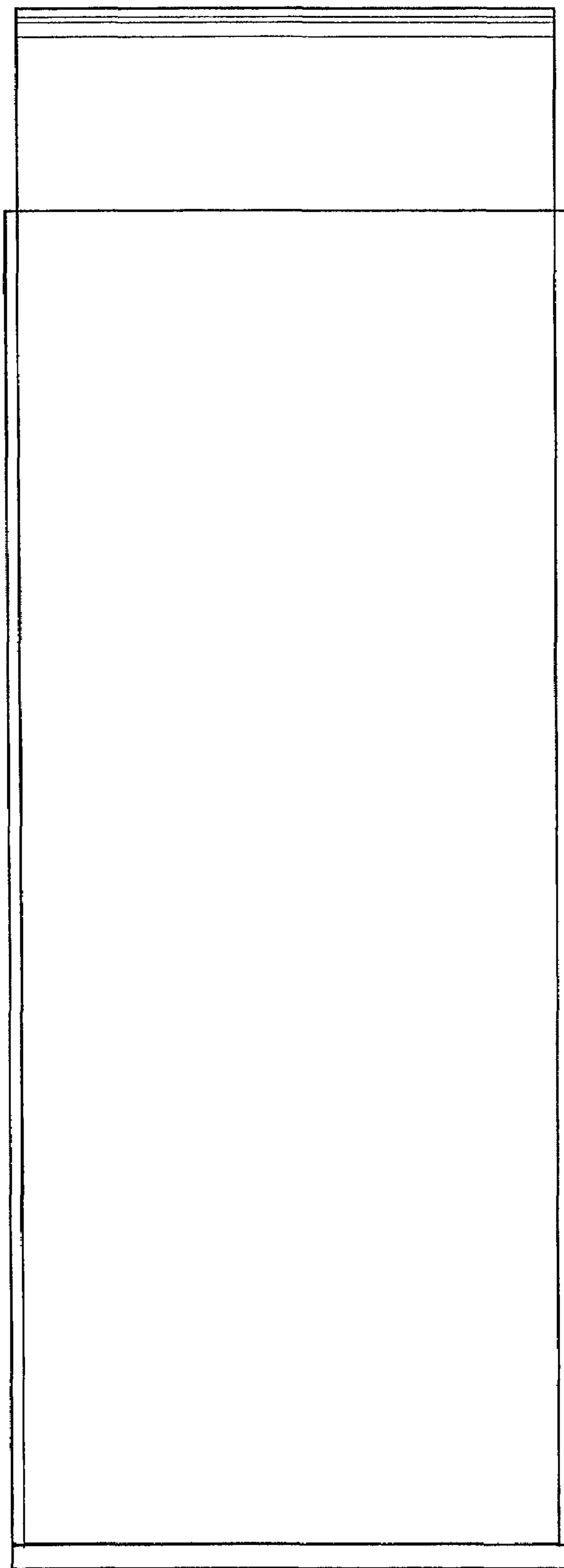


FIG. 6

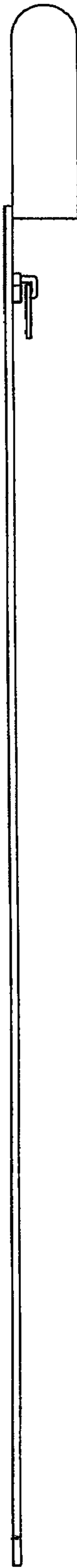


FIG. 7



FIG. 8