

US00D587011S

(12) **United States Design Patent**
Tsyuman

(10) **Patent No.:** **US D587,011 S**

(45) **Date of Patent:** **** Feb. 24, 2009**

(54) **COMBINATION EYEGLASS AND PERSONAL ARTICLES HOLDER**

D543,019 S * 5/2007 Koning D3/212

(76) Inventor: **Mikhailo Tsyuman**, 9230 Verree Rd., Philadelphia, PA (US) 19115

“Clock”, www-math.cudenver.edu/~wcherowi/clock.gif, retrieved on Sep. 20, 2007.*

(**) Term: **14 Years**

* cited by examiner

(21) Appl. No.: **29/245,592**

Primary Examiner—Ian Simmons

Assistant Examiner—Anna J Burmeister

(22) Filed: **Dec. 27, 2005**

(74) *Attorney, Agent, or Firm*—Boris Leschinsky

(51) **LOC (9) Cl.** **03-01**

(52) **U.S. Cl.** **D3/265**

(58) **Field of Classification Search** D3/11,
D3/219, 263, 265–266, 303, 206, 208, 212

See application file for complete search history.

(57) **CLAIM**

The ornamental design for a combination eyeglass and personal articles holder, as shown and described.

(56) **References Cited**

DESCRIPTION

U.S. PATENT DOCUMENTS

645,814	A	*	3/1900	Johnson	24/3.8
1,693,006	A	*	11/1928	Thomas	206/38.1
D139,607	S	*	12/1944	Halber	D3/249
D145,778	S	*	10/1946	Commander	D3/206
3,144,127	A		8/1964	Fogel		
D203,004	S	*	11/1965	Williams	D3/265
D232,259	S	*	7/1974	Brown	D3/219
D308,752	S	*	6/1990	Hall	D3/265
5,195,668	A	*	3/1993	Kunes et al.	224/312
D343,951	S		2/1994	Petty		
D351,945	S		11/1994	Kopel		
5,706,935	A		1/1998	Lorton		
D428,252	S	*	7/2000	Au et al.	D3/265
D448,553	S	*	10/2001	Williams	D3/215
D452,612	S		1/2002	Alexandroff		
6,691,863	B1		2/2004	Veenstra		

FIG. 1 is a front elevational view of a combination eyeglass and personal articles holder, showing my new design;

FIG. 2 is a front elevational view thereof, shown in use;

FIG. 3 is a rear elevational view of a combination eyeglass and personal articles holder;

FIG. 4 is a rear elevational view thereof, shown in use;

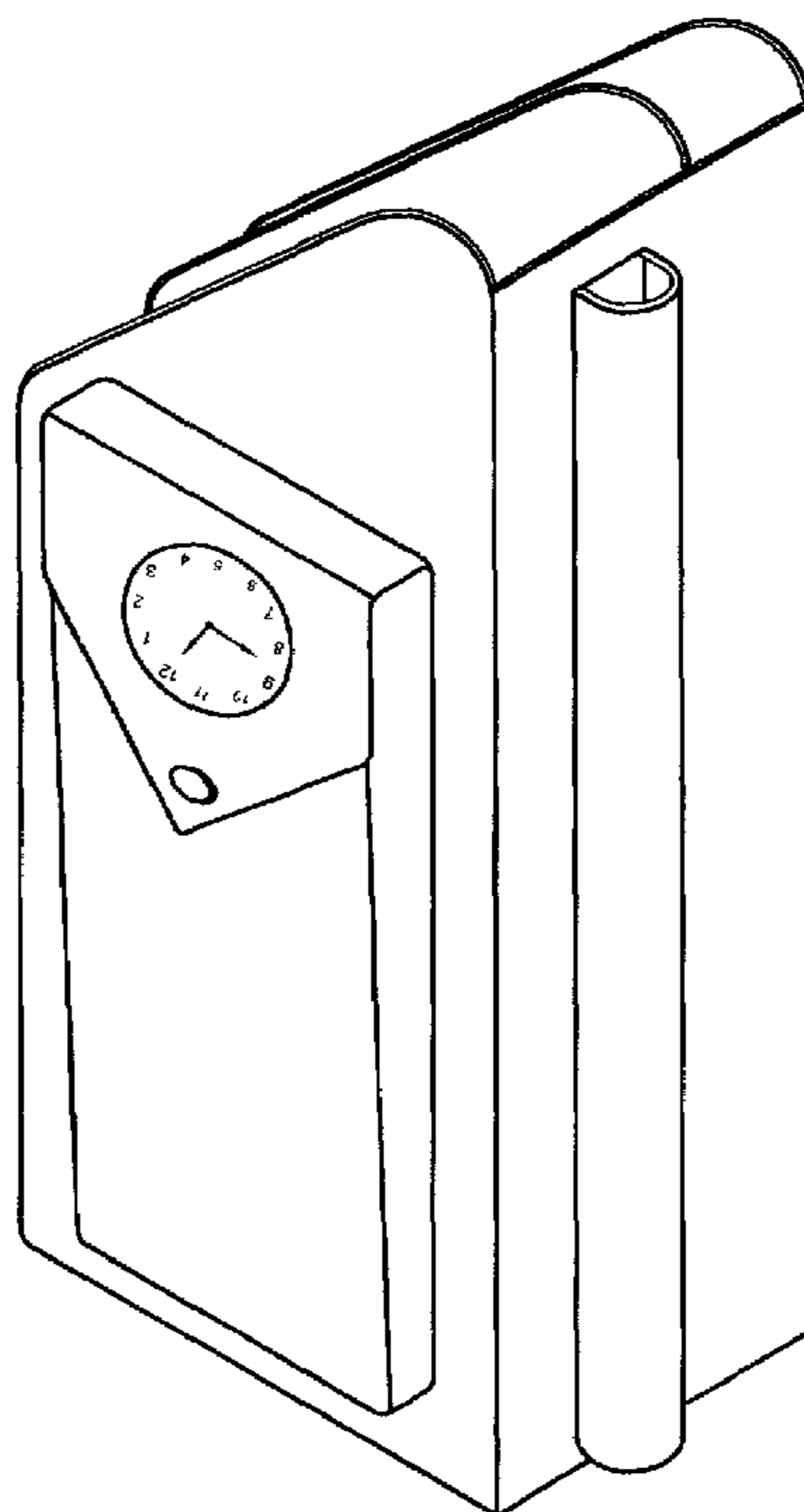
FIG. 5 is a top plain view of a combination eyeglass and personal articles holder;

FIG. 6 is a top view thereof, shown in use; and,

FIG. 7 is a top, front, and side perspective view a combination eyeglass and personal articles holder.

The broken lines shown in the drawings are for illustrative purposes only and form no part of the claimed design.

1 Claim, 6 Drawing Sheets



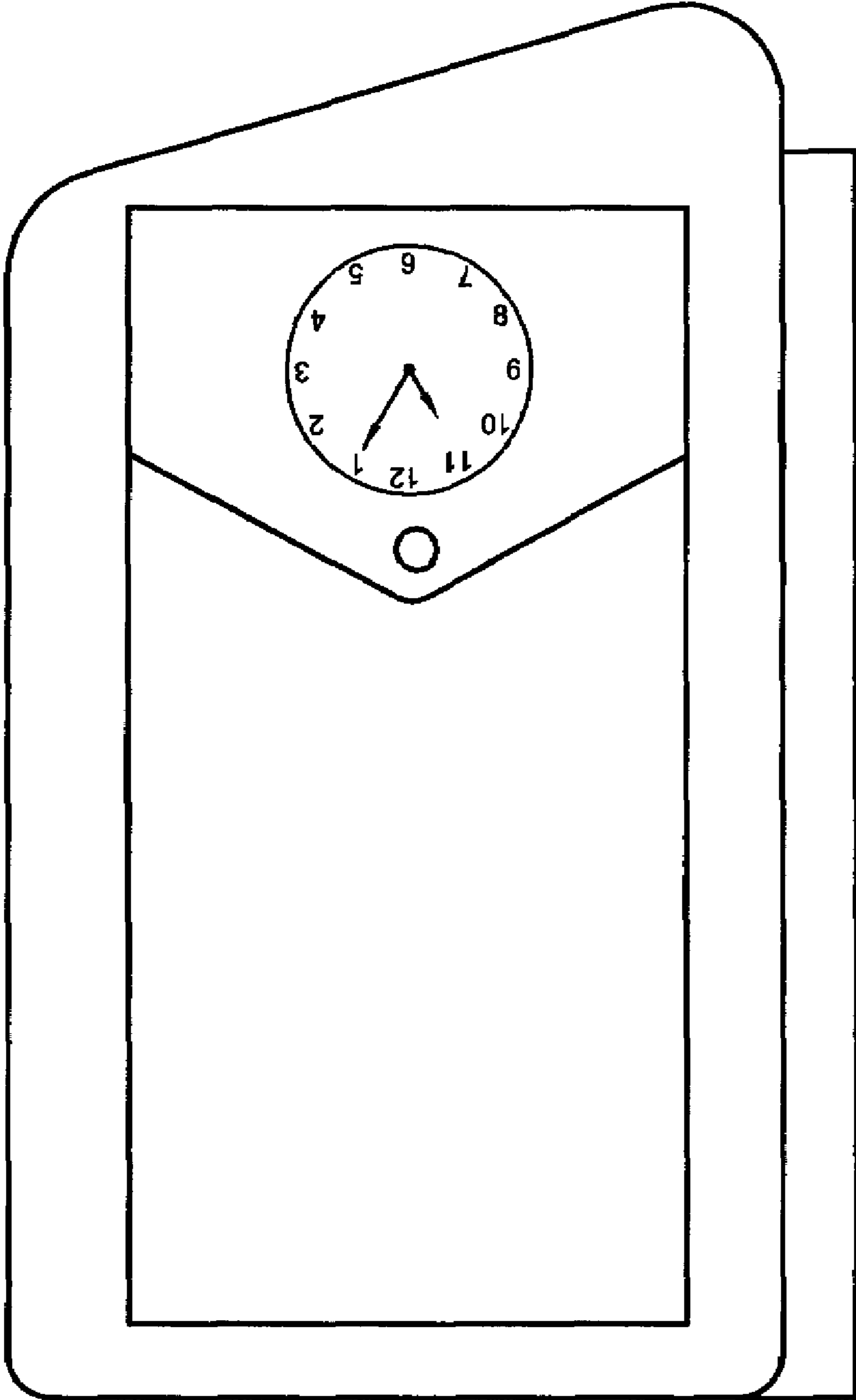


Fig. 1

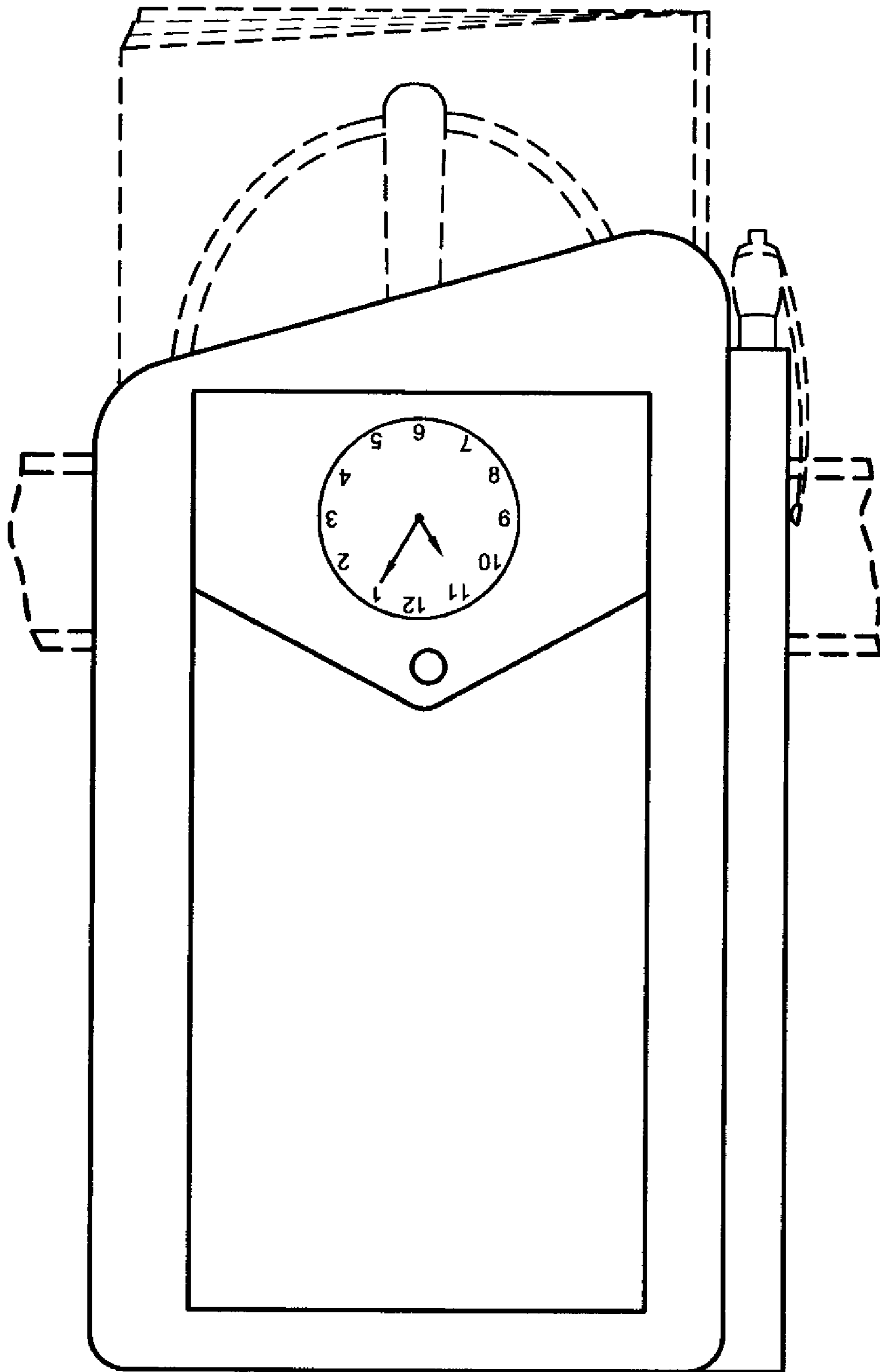


Fig. 2

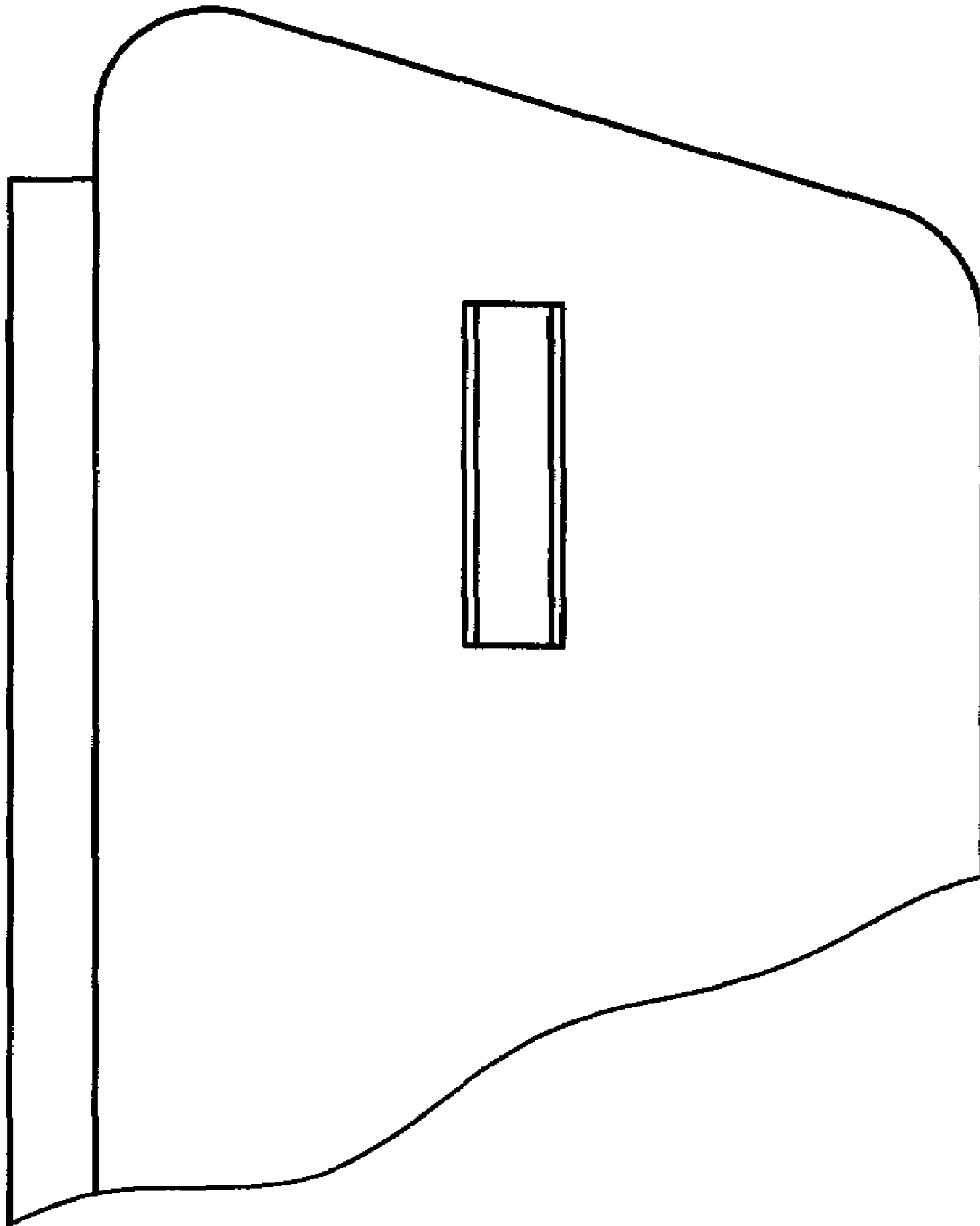


Fig. 3

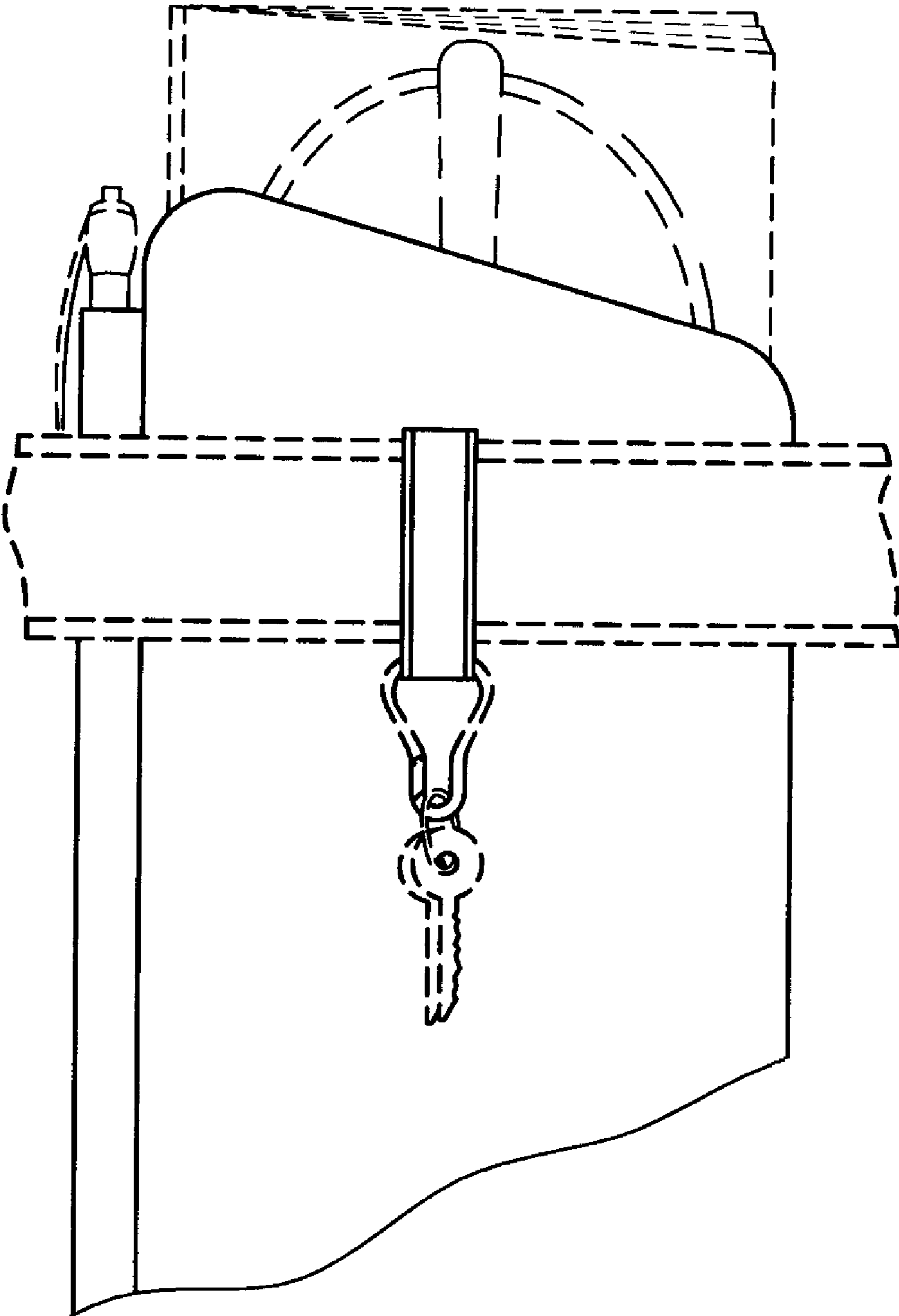


Fig. 4

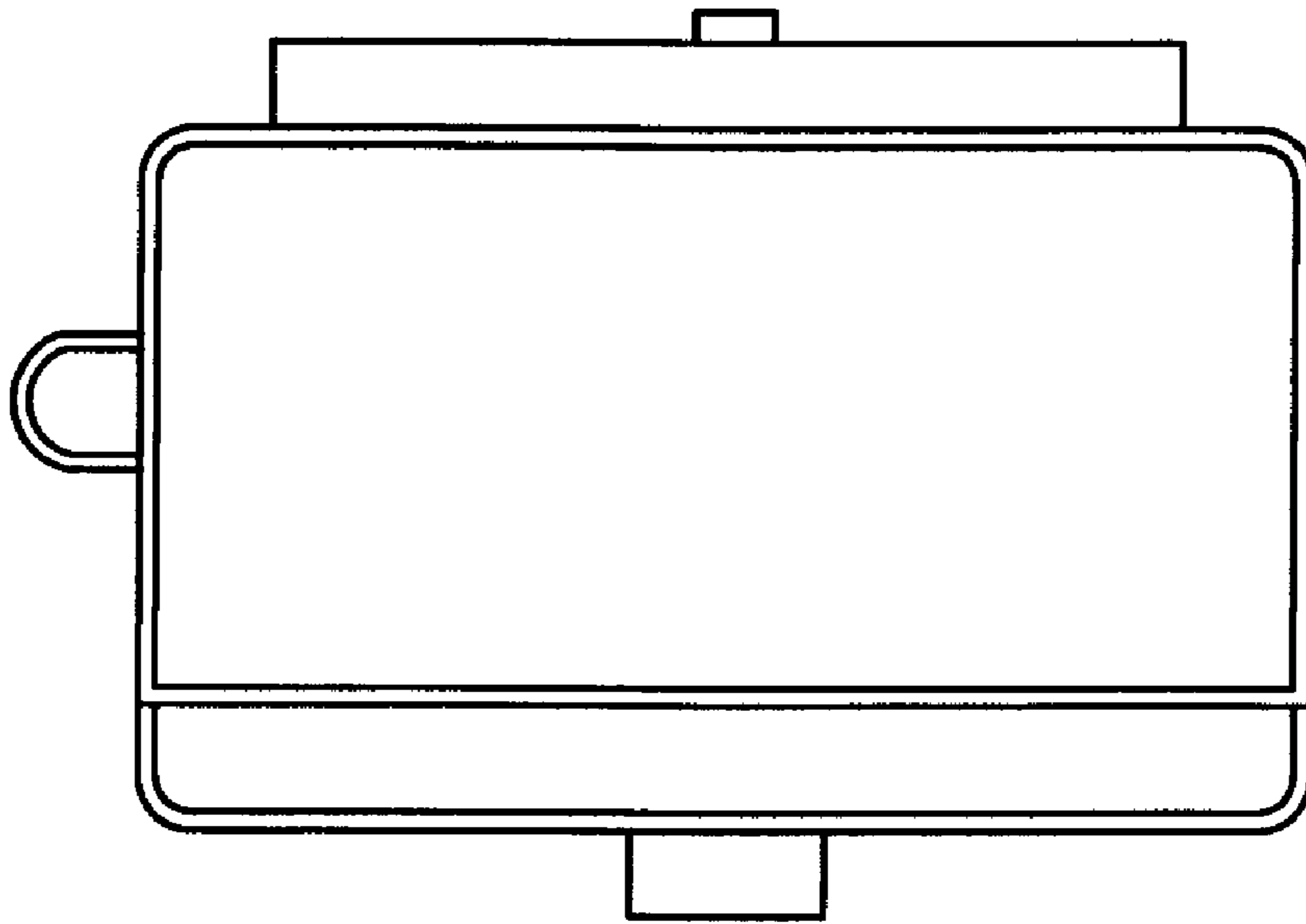


Fig. 5

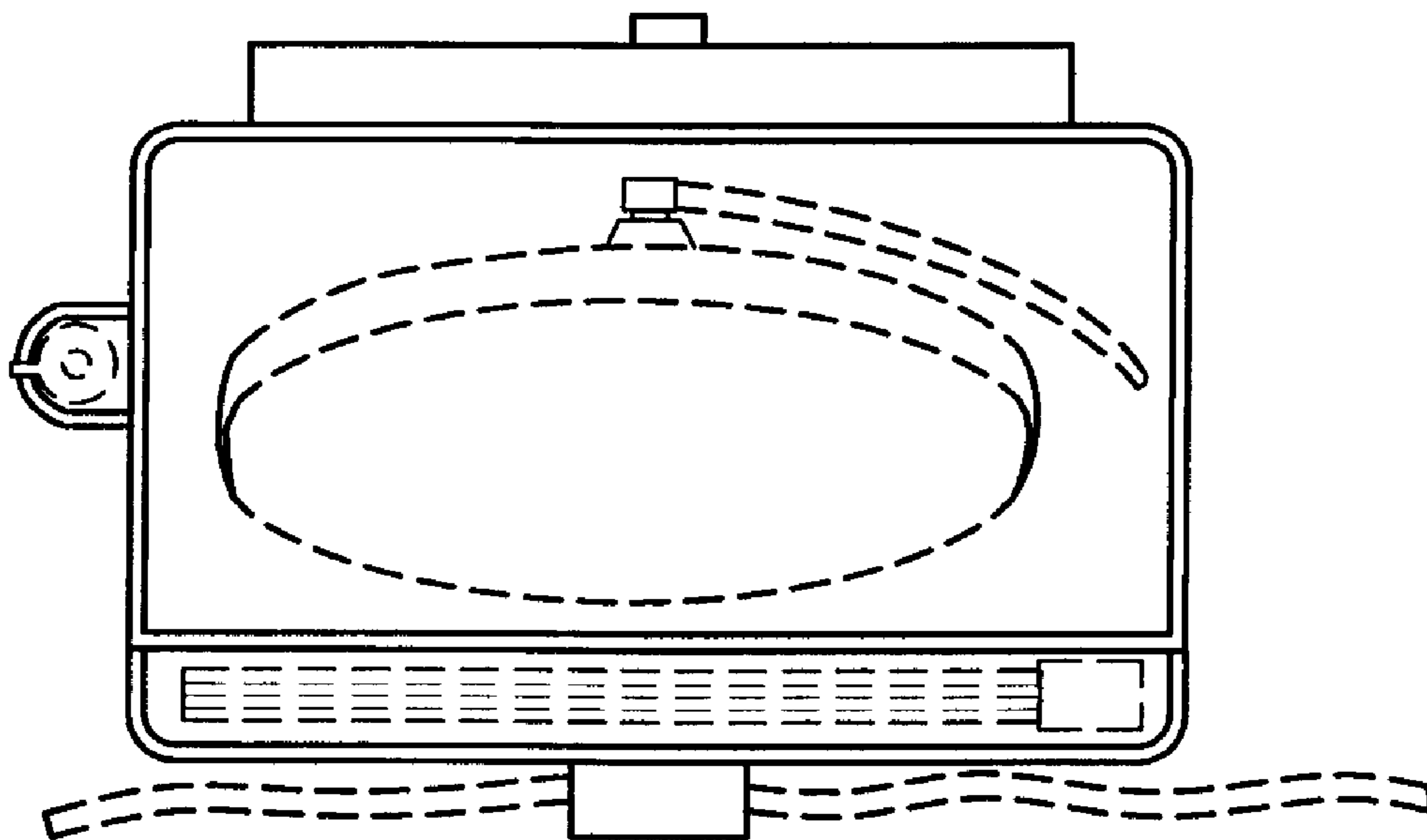


Fig. 6

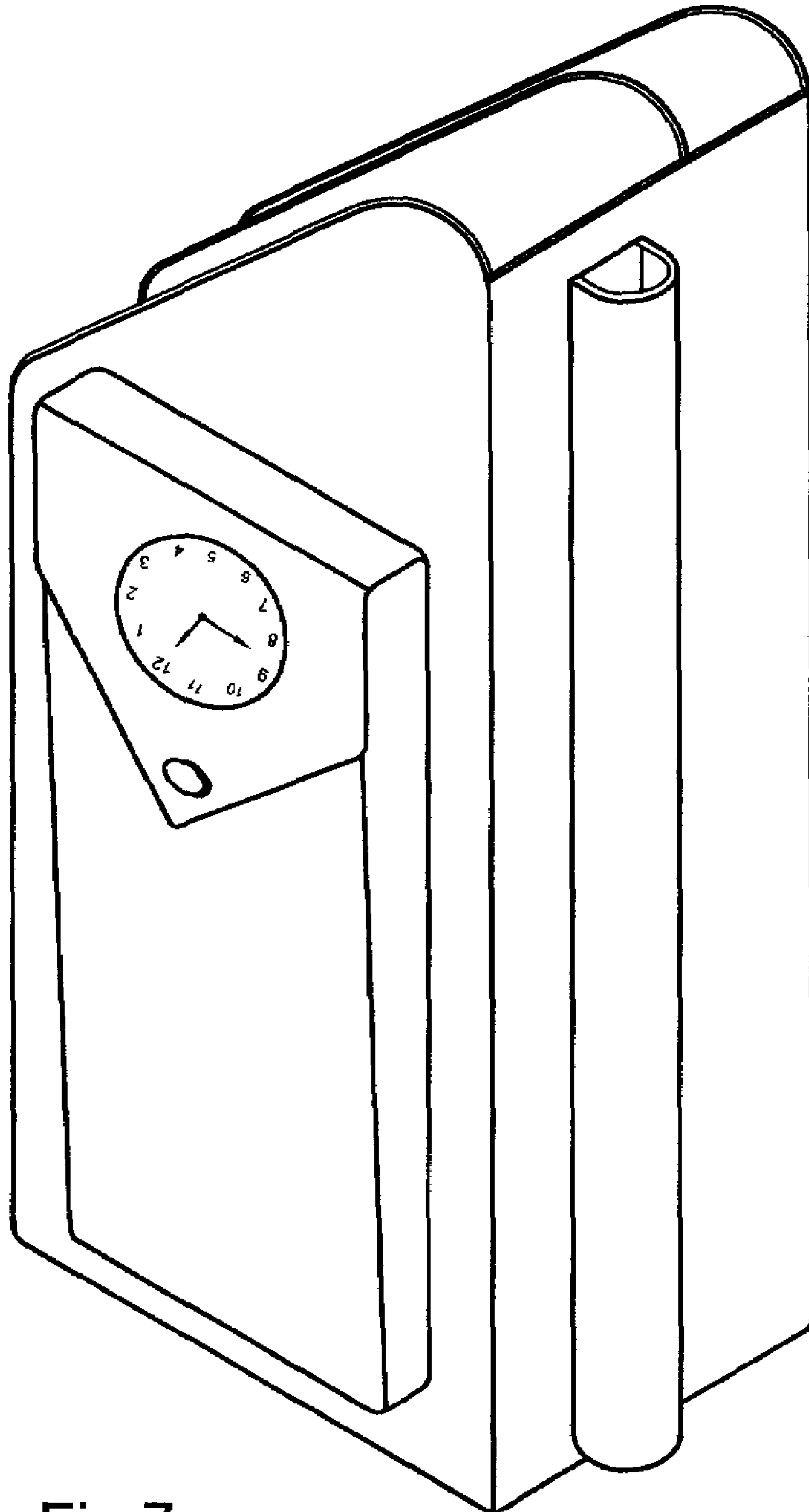


Fig.7