

US00D587008S

(12) **United States Design Patent**
Richardson et al.

(10) **Patent No.:** **US D587,008 S**

(45) **Date of Patent:** **** Feb. 24, 2009**

(54) **CASE**

(75) Inventors: **Curtis R. Richardson**, Fort Collins, CO (US); **Jason M. Thompson**, Broomfield, CO (US); **Matthew M. Glanzer**, Loveland, CO (US); **Jamie Lee Johnson**, Fort Collins, CO (US); **Alan V. Morine**, Fort Collins, CO (US)

(73) Assignee: **Otter Products, LLC**, Fort Collins, CO (US)

(**) Term: **14 Years**

(21) Appl. No.: **29/298,588**

(22) Filed: **Dec. 7, 2007**

(51) **LOC (9) Cl.** **03-01**

(52) **U.S. Cl.** **D3/218**

(58) **Field of Classification Search** D3/218,
D3/201, 215, 226, 269, 272-273; 206/305,
206/320; 455/90, 92, 42; 379/455; 224/901,
224/904, 682-683, 666; D14/496, 156, 138

See application file for complete search history.

(56) **References Cited**

U.S. PATENT DOCUMENTS

2,392,787 A	1/1946	Vermot
D216,853 S	3/1970	Schurman
D220,233 S	3/1971	Schurman
D275,822 S	10/1984	Gatland et al.
4,703,161 A	10/1987	McLean
4,762,227 A	8/1988	Patterson
5,092,459 A	3/1992	Uljanic et al.
D327,646 S	7/1992	Hardigg et al.
D329,747 S	9/1992	Embree
D330,329 S	10/1992	Brightbill
5,175,873 A	12/1992	Goldenburg et al.
D335,220 S	5/1993	Ward
D342,609 S	12/1993	Brightbill
D347,324 S	5/1994	Dickenson
D347,732 S	6/1994	Wentz
D353,048 S	12/1994	VanSkiver et al.
D381,512 S	7/1997	Green

D386,611 S	11/1997	Sheu
D402,105 S	12/1998	Erickson
D409,374 S	5/1999	Laba et al.
D412,062 S	7/1999	Potter et al.
D413,202 S	8/1999	Schmitt et al.
D413,203 S	8/1999	Zurwelle et al.
D419,297 S	1/2000	Richardson et al.
D419,767 S	2/2000	Richardson et al.
D419,768 S	2/2000	Richardson et al.
6,031,524 A	2/2000	Kunert
6,041,924 A	3/2000	Tajima
6,049,813 A	4/2000	Danielson et al.
D423,772 S	5/2000	Cooper et al.
6,068,119 A	5/2000	Derr et al.
D429,884 S	8/2000	Zurwelle et al.
6,094,785 A	8/2000	Montgomery et al.

(Continued)

OTHER PUBLICATIONS

U.S. Appl. No. 29/284,532, filed Sep. 10, 2007.

Primary Examiner—Catherine R Oliver
(74) *Attorney, Agent, or Firm*—William W. Cochran;
Cochran Freund & Young LLC

(57) **CLAIM**

The ornamental design for a case, as shown and described.

DESCRIPTION

FIG. 1 is an isometric view of a case showing our new design.

FIG. 2 is a front view thereof.

FIG. 3 is a top view thereof

FIG. 4 is a left side view thereof.

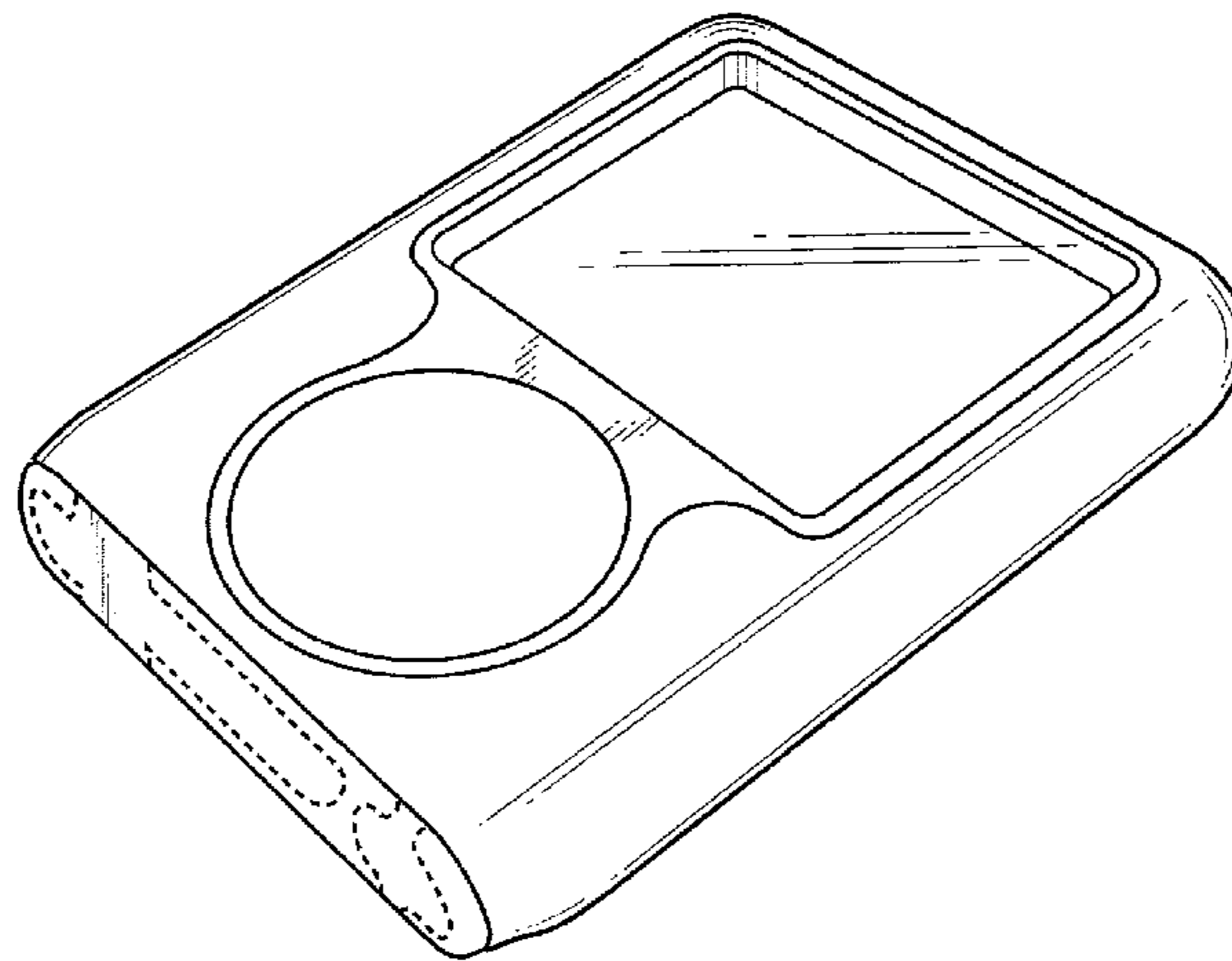
FIG. 5 is a right side view thereof.

FIG. 6 is a bottom view thereof; and,

FIG. 7 is a rear view thereof.

The broken line showing of environment in the drawings is included for the purpose of illustrating only and forms no part of the claimed design.

1 Claim, 3 Drawing Sheets .



US D587,008 S

Page 2

U.S. PATENT DOCUMENTS

D433,798 S	11/2000	Weinstock	6,646,864 B2	11/2003	Richardson et al.
D439,407 S	3/2001	Parker	6,665,174 B1	12/2003	Derr et al.
6,215,474 B1	4/2001	Shah	D513,123 S	12/2005	Richardson et al.
D441,954 S	5/2001	Parker	D513,451 S	1/2006	Richardson et al.
6,239,968 B1	5/2001	Kim et al.	D514,808 S	2/2006	Morine et al.
D443,133 S	6/2001	Richardson et al.	6,995,976 B2	2/2006	Richardson et al.
6,273,252 B1	8/2001	Mitchell	D516,309 S	3/2006	Richardson et al.
6,301,100 B1	10/2001	Iwata	D516,553 S	3/2006	Richardson et al.
6,313,892 B2	11/2001	Gleckman	D516,554 S	3/2006	Richardson et al.
6,317,313 B1	11/2001	Mosgrove et al.	D516,807 S	3/2006	Richardson et al.
6,388,877 B1	5/2002	Canova, Jr. et al.	D526,780 S	8/2006	Richardson et al.
6,415,138 B2	7/2002	Sirola et al.	D530,079 S	10/2006	Richardson et al.
6,445,577 B1	9/2002	Madsen et al.	7,158,376 B2	1/2007	Richardson et al.
6,456,487 B1	9/2002	Hetterick et al.	7,180,735 B2	2/2007	Richardson et al.
D464,196 S	10/2002	Parker	D542,524 S	5/2007	Richardson et al.
6,471,056 B1	10/2002	Tzeng	D553,852 S *	10/2007	Brandenburg D3/218
D465,330 S	11/2002	Parker	D556,448 S *	12/2007	Brandenburg D3/218
D470,659 S	2/2003	Story et al.	D557,205 S *	12/2007	Kim D3/218
6,519,141 B2	2/2003	Tseng et al.	D563,093 S *	3/2008	Nussberger D3/201
6,536,589 B2	3/2003	Chang	D566,962 S *	4/2008	Griffin et al. D3/218
D472,384 S	4/2003	Richardson	2002/0101707 A1	8/2002	Canova et al.

* cited by examiner

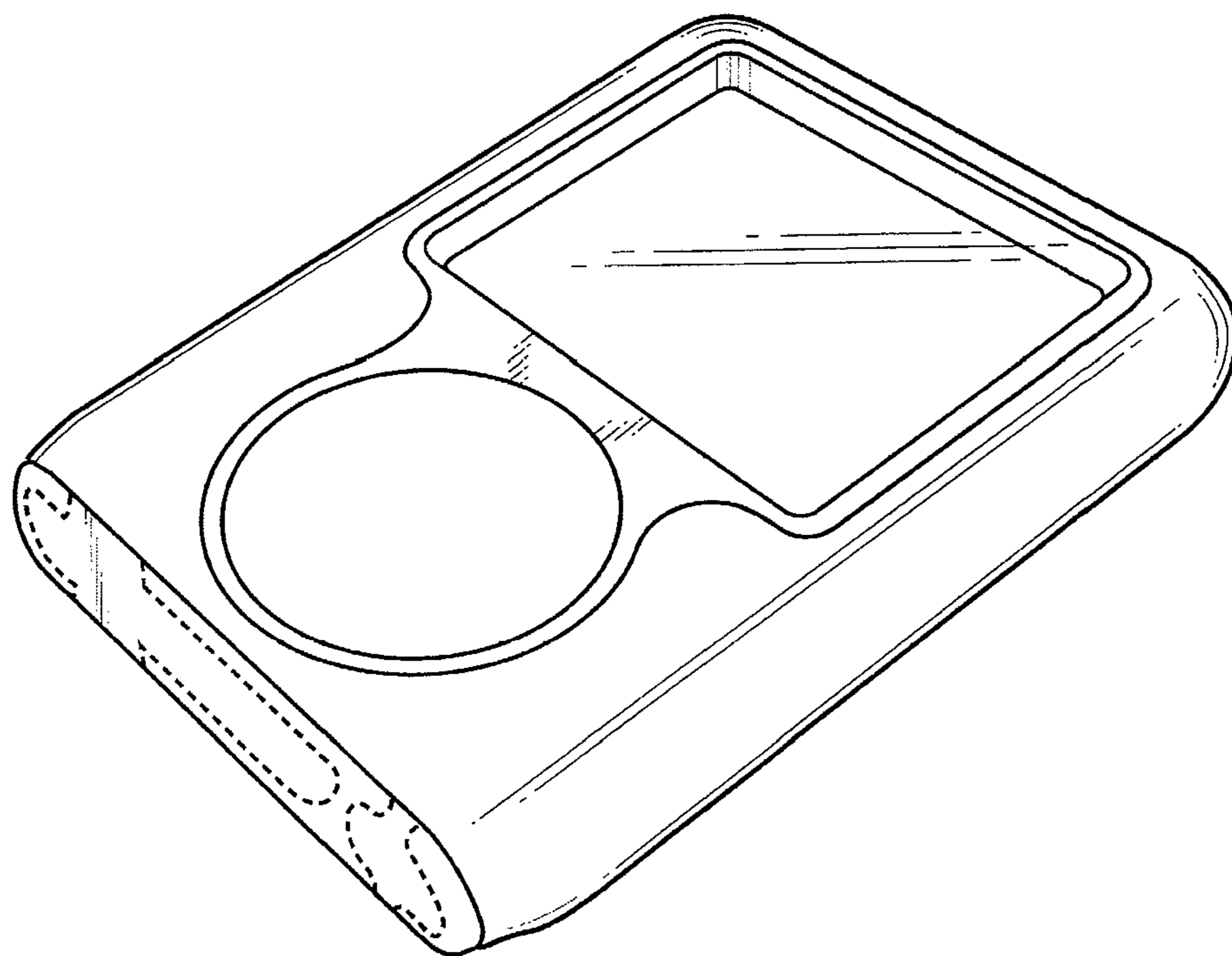


FIG. 1

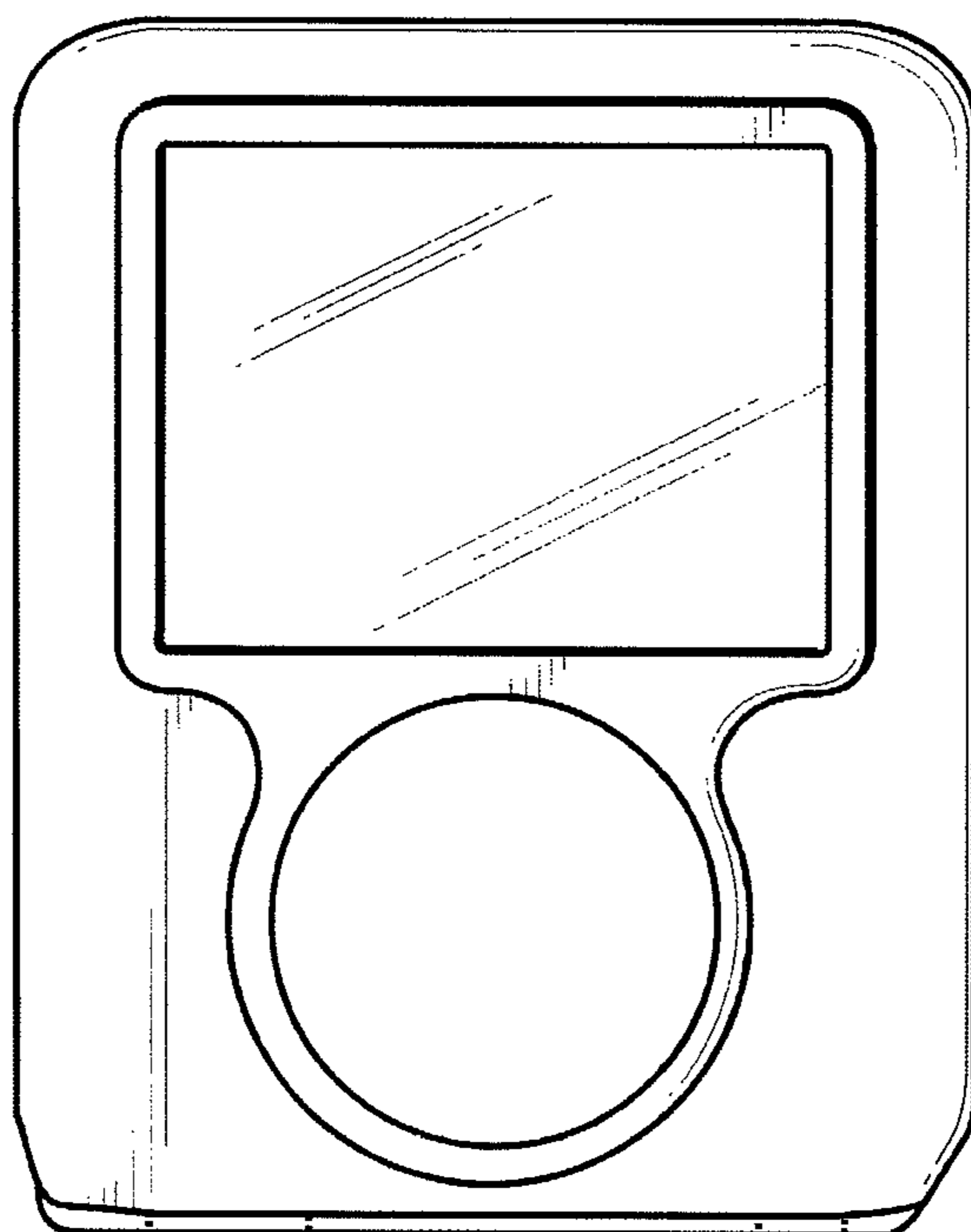


FIG. 2

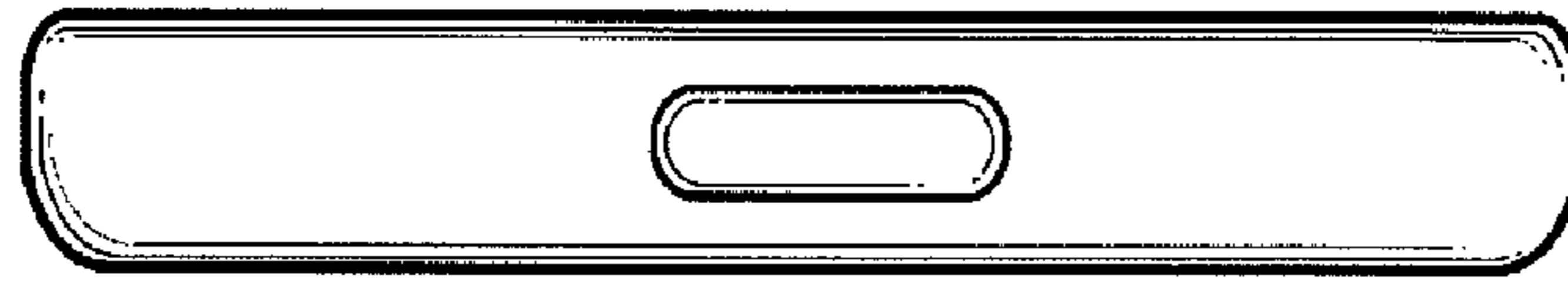


FIG. 3

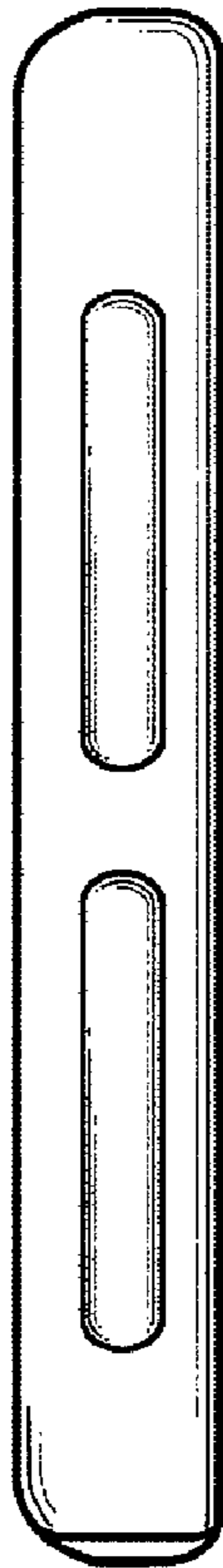


FIG. 4

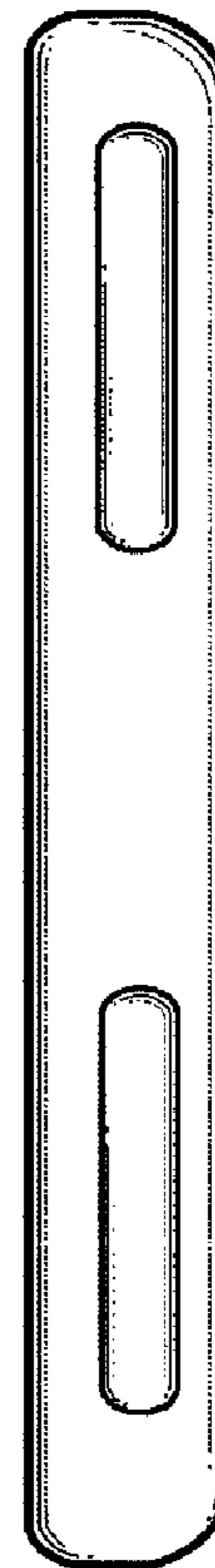


FIG. 5

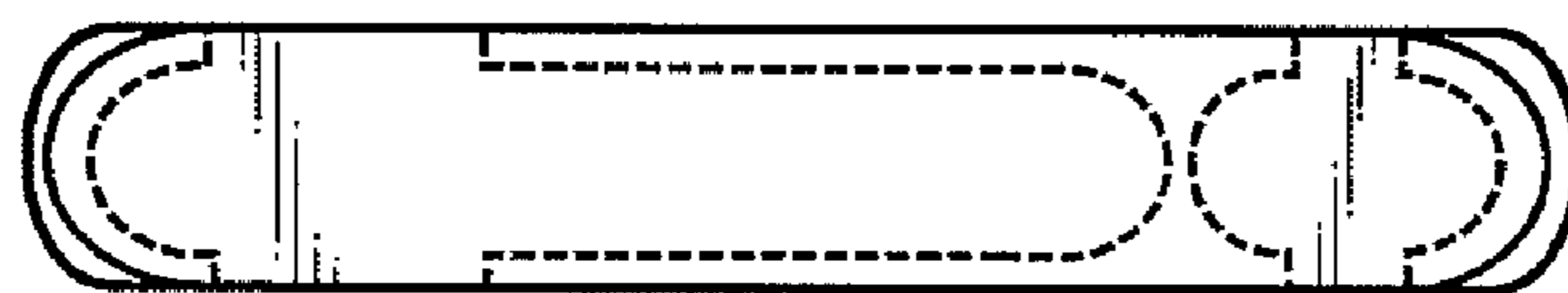


FIG. 6

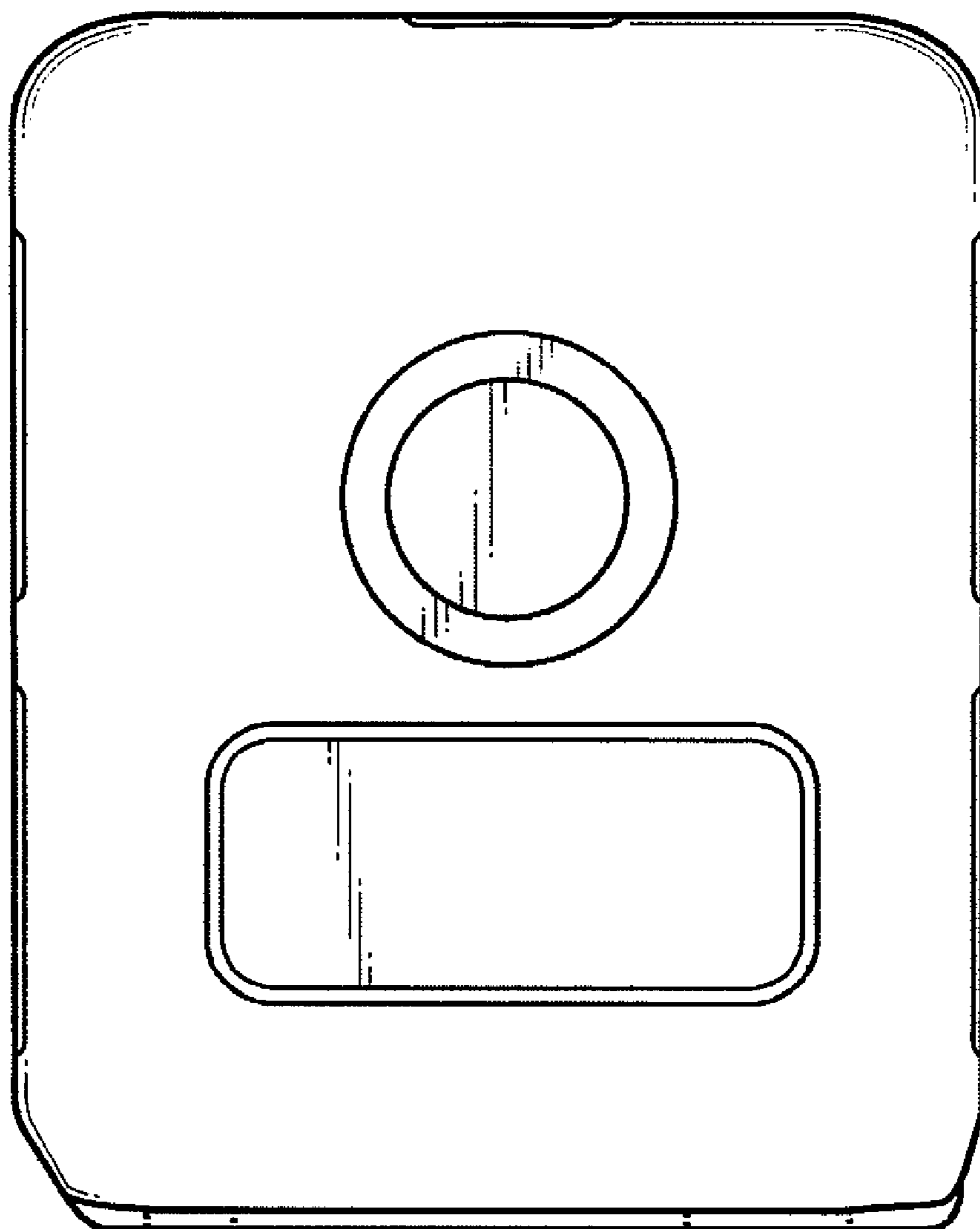


FIG. 7