



US00D587005S

(12) **United States Design Patent**
Gardner

(10) **Patent No.:** **US D587,005 S**
(45) **Date of Patent:** **** Feb. 24, 2009**

(54) **PILL CASE**

2007/0138048 A1 6/2007 Coe et al.

(75) Inventor: **Christopher P. Gardner**, Pittsford, NY
(US)

* cited by examiner

(73) Assignee: **Variant Products, Ltd.**, Rochester, NY
(US)

Primary Examiner—Catherine R Oliver
(74) *Attorney, Agent, or Firm*—Brian B. Shaw, Esq.; Dominic
P. Ciminello, Esq.; Harter Secrest & Emery LLP

(**) Term: **14 Years**

(57) **CLAIM**

(21) Appl. No.: **29/320,590**

I claim the ornamental design for the pill case, as shown and described.

(22) Filed: **Jun. 30, 2008**

DESCRIPTION

(51) **LOC (9) Cl.** **03-01**

FIG. 1 is a top front right perspective view of the pill case according to a first embodiment of the new design;

(52) **U.S. Cl.** **D3/203.3**

FIG. 2 is a bottom front left perspective view of the pill case of FIG. 1;

(58) **Field of Classification Search** D3/203.3,
D3/203.2; 206/530–538; D9/730–732
See application file for complete search history.

FIG. 3 is a top plan view of the pill case of FIG. 1;

(56) **References Cited**

U.S. PATENT DOCUMENTS

3,712,510	A	1/1973	Lindahl	
3,759,420	A	9/1973	Karkanen	
D253,933	S *	1/1980	Bridges	D3/203.3
4,483,626	A	11/1984	Noble	
4,573,606	A	3/1986	Lewis et al.	
D298,803	S *	12/1988	Ebling	D3/203.3
D304,905	S *	12/1989	Zimmerman	D3/203.3
D337,725	S *	7/1993	Bunin	D3/203.3
5,310,082	A	5/1994	Coustenoble	
5,351,818	A	10/1994	Daneshvar	
5,372,258	A	12/1994	Daneshvar	
5,582,323	A	12/1996	Kurtenbach	
6,338,535	B1	1/2002	Rickert	
6,471,063	B2	10/2002	Stepp	
D466,801	S *	12/2002	Holland	D3/203.3
6,758,338	B2	7/2004	Lien	
6,848,581	B2	2/2005	Cohen	
7,387,207	B2 *	6/2008	Priebe et al.	206/532

FIG. 4 is a right side elevation view of the pill case of FIG. 1, the left side being substantially a mirror image thereof;

FIG. 5 is a front elevation view of the pill case of FIG. 1;

FIG. 6 is a bottom plan view of the pill case of FIG. 1;

FIG. 7 is a rear elevation view of the pill case of FIG. 1;

FIG. 8 is a top front right perspective view of the pill case according to another embodiment of the new design;

FIG. 9 is a top plan view of the pill case of FIG. 8;

FIG. 10 is a left side elevation view of the pill case of FIG. 8;

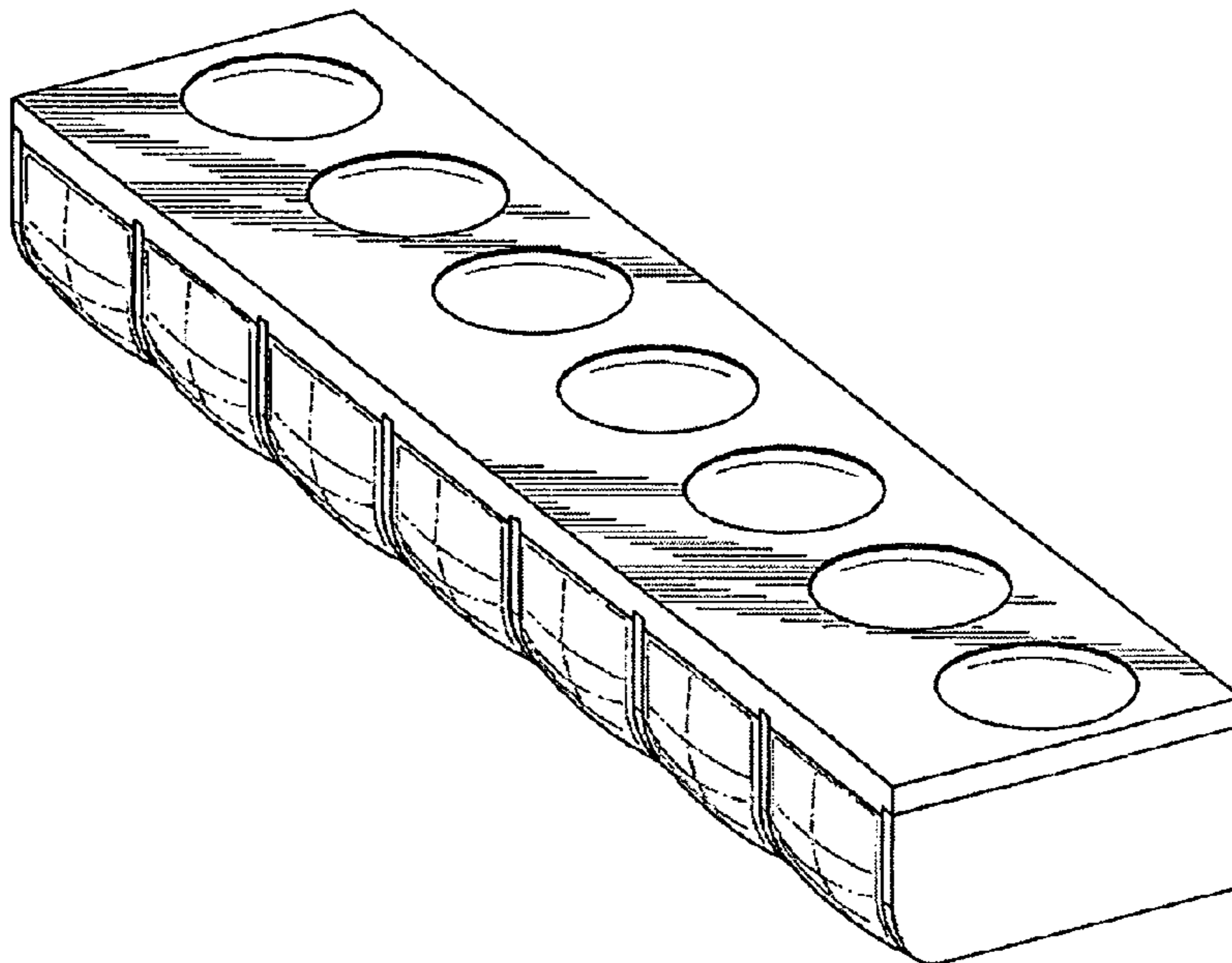
FIG. 11 is a right side elevation view of the pill case of FIG. 8;

FIG. 12 is a front elevation view of the pill case of FIG. 8;

FIG. 13 is a bottom plan view of the pill case of FIG. 8; and,

FIG. 14 is a rear elevation view of the pill case of FIG. 8.

1 Claim, 6 Drawing Sheets



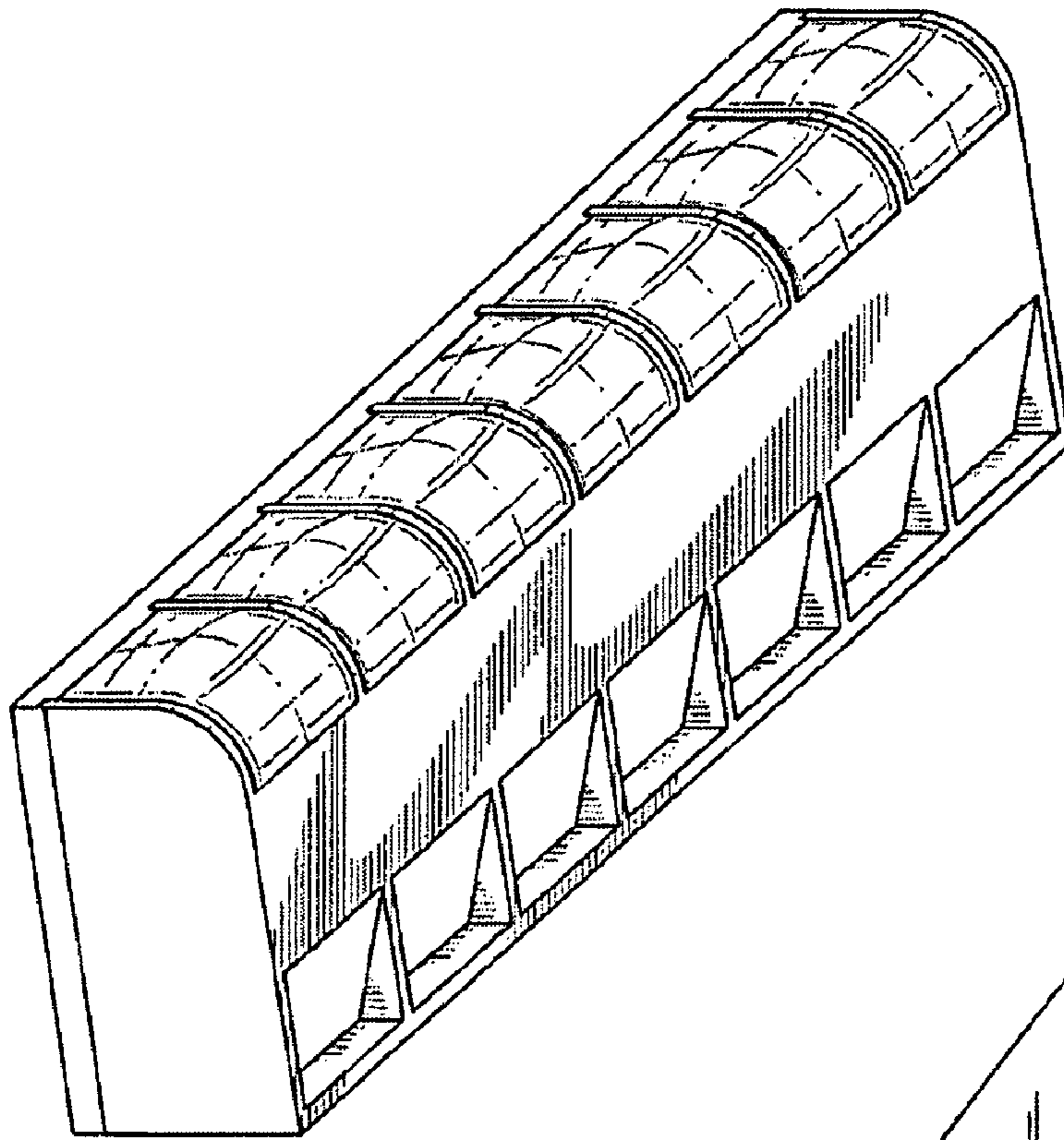


FIG. 2

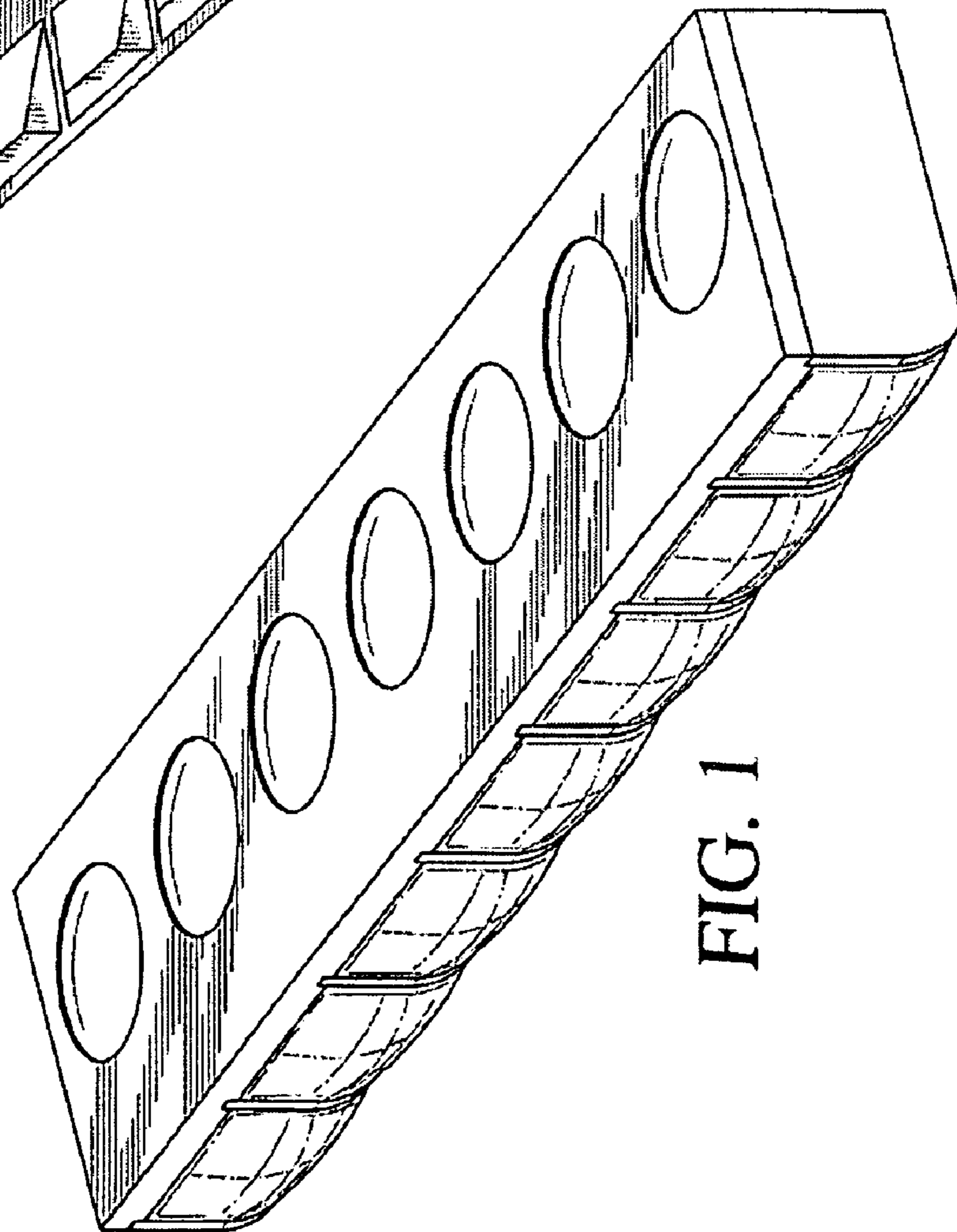


FIG. 1

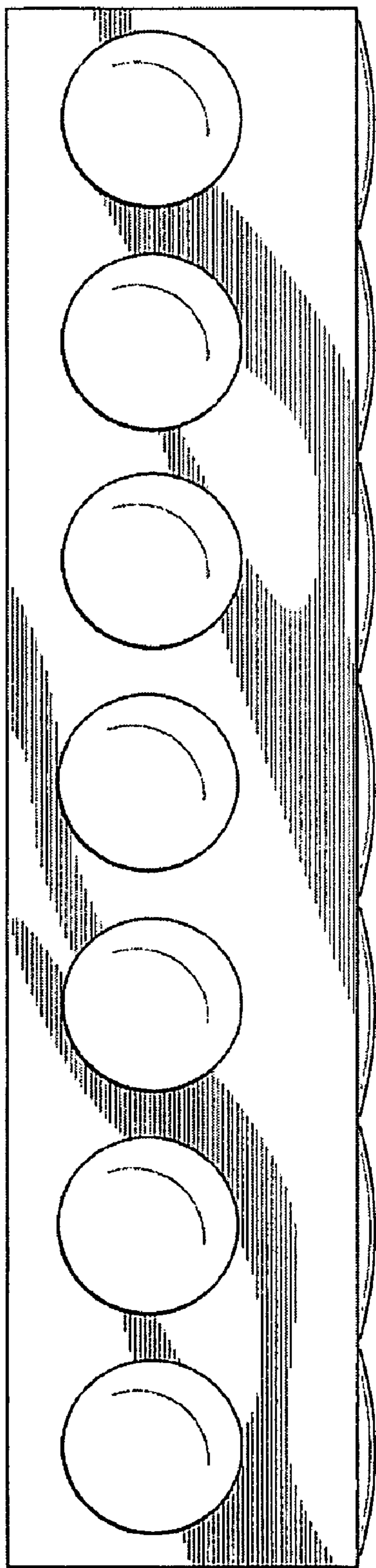


FIG. 3

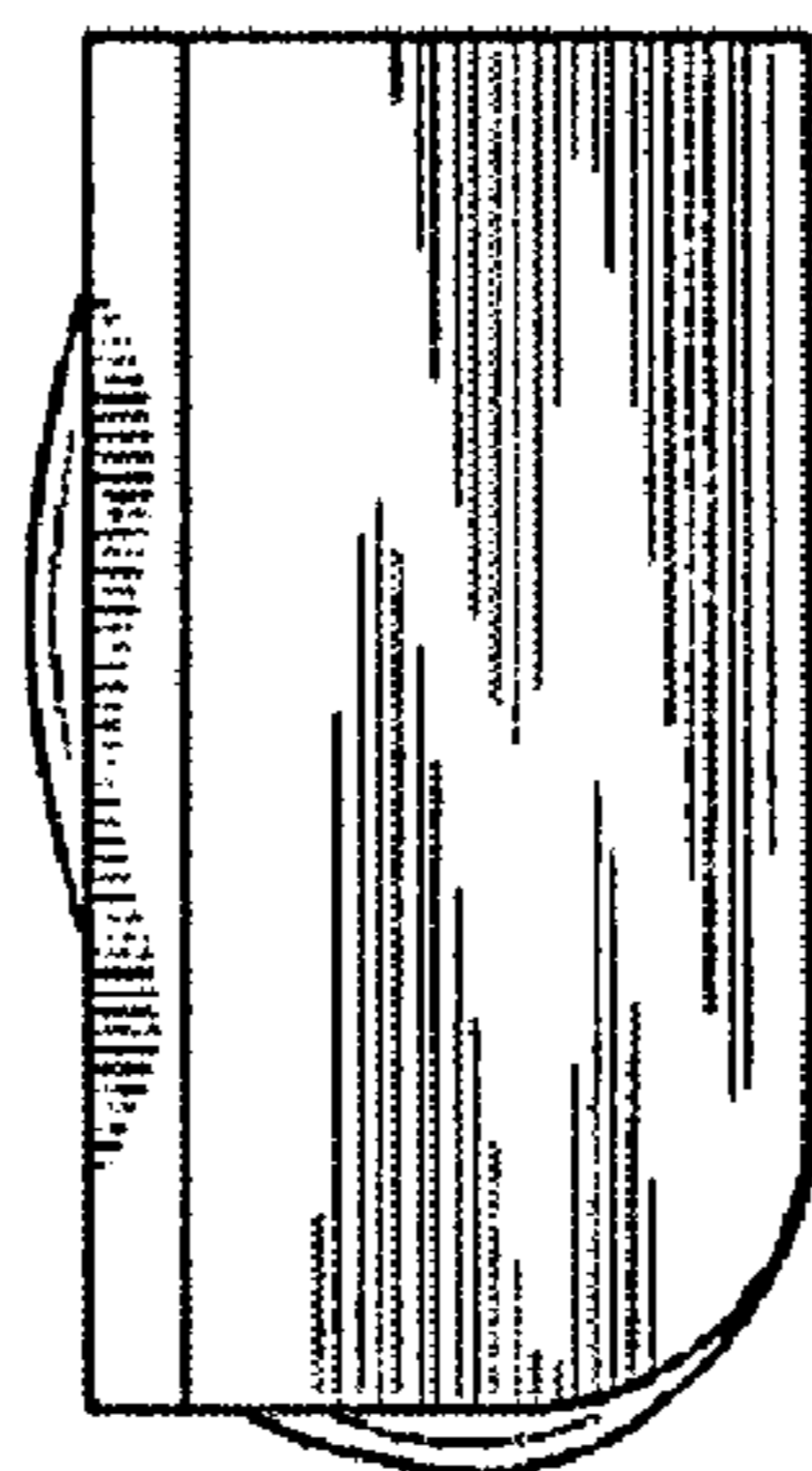


FIG. 4

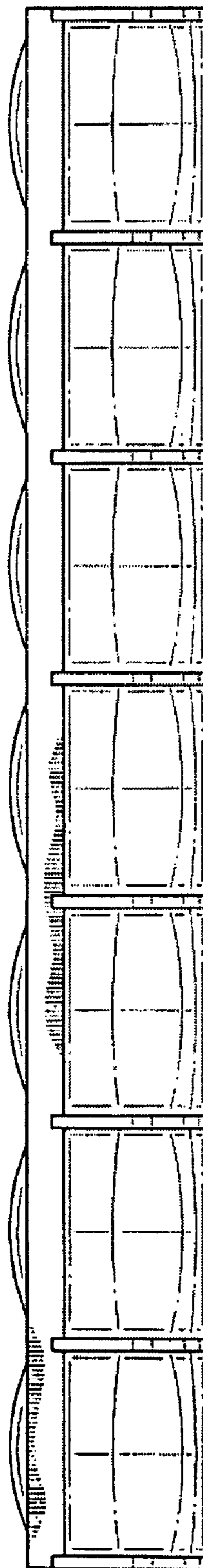


FIG. 5

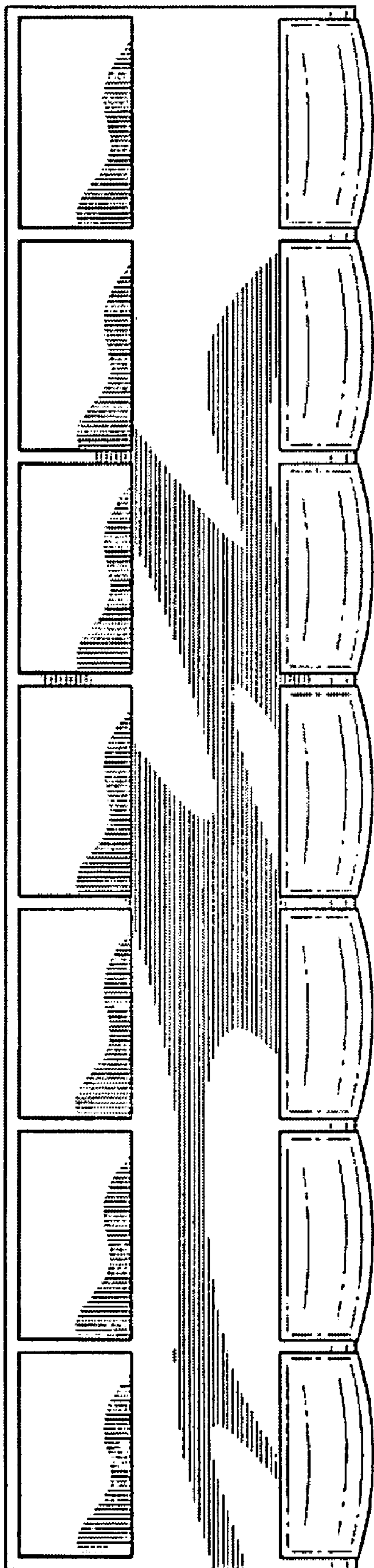


FIG. 6

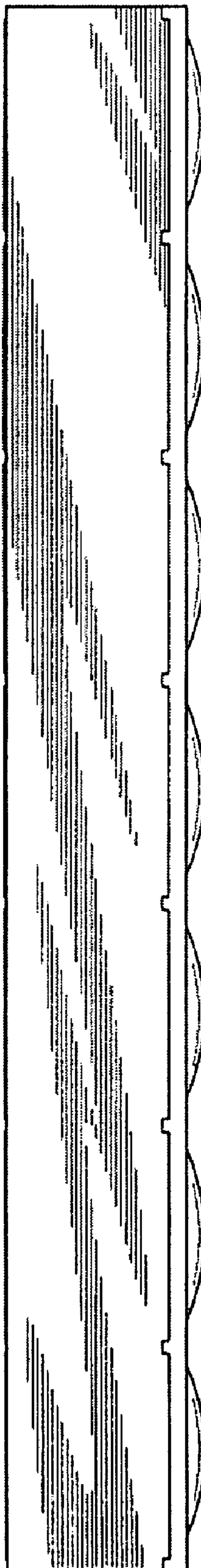


FIG. 7

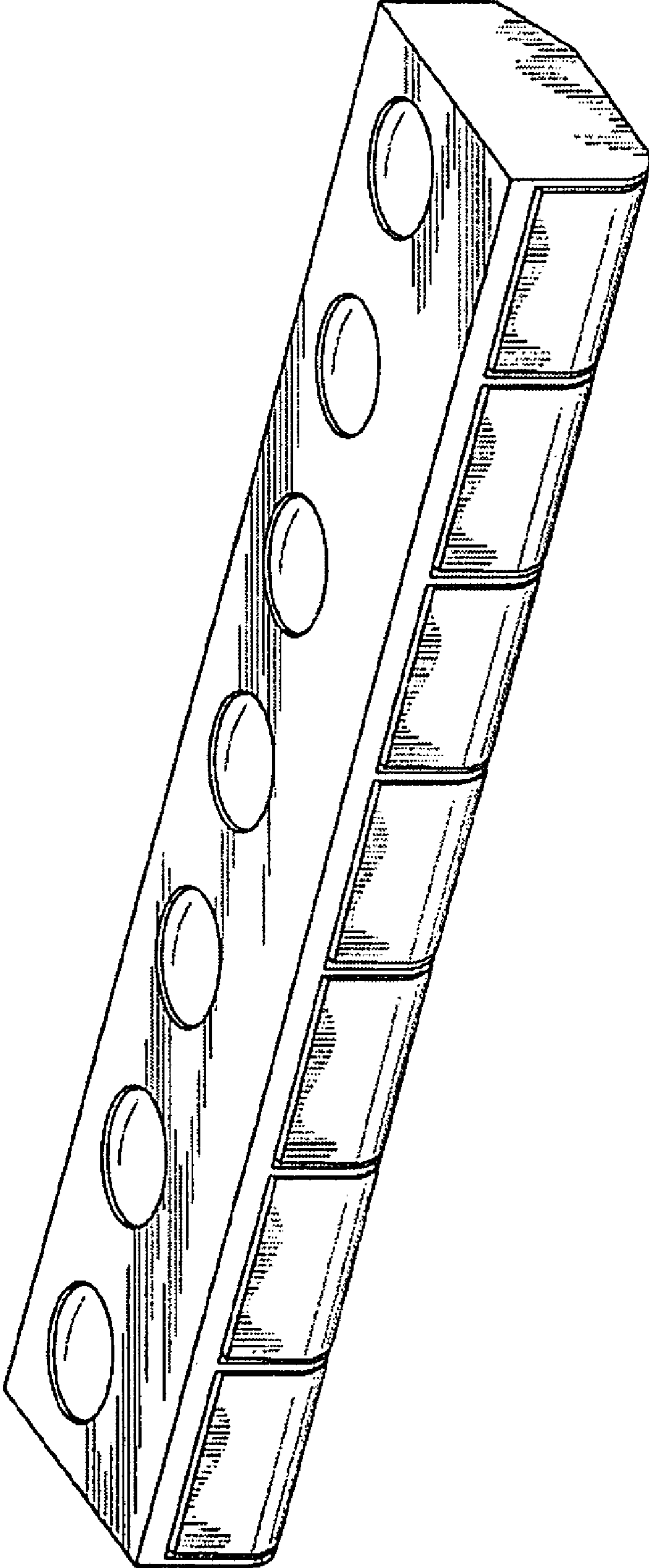


FIG. 8

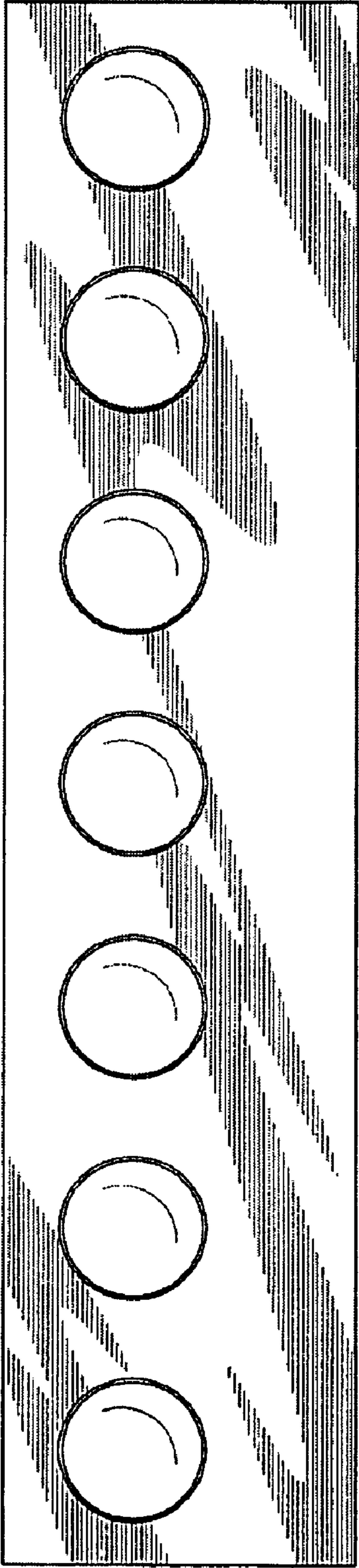


FIG. 9

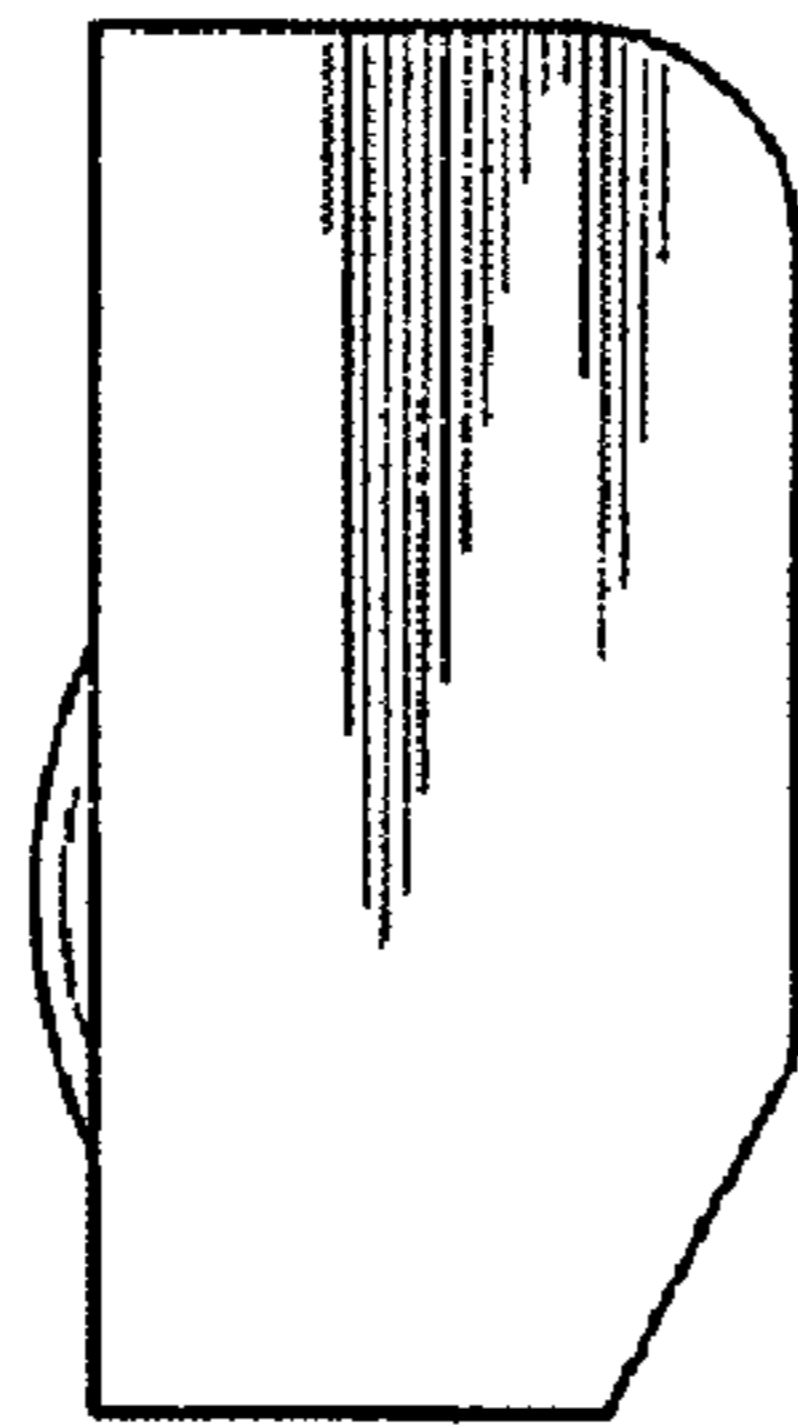


FIG. 10

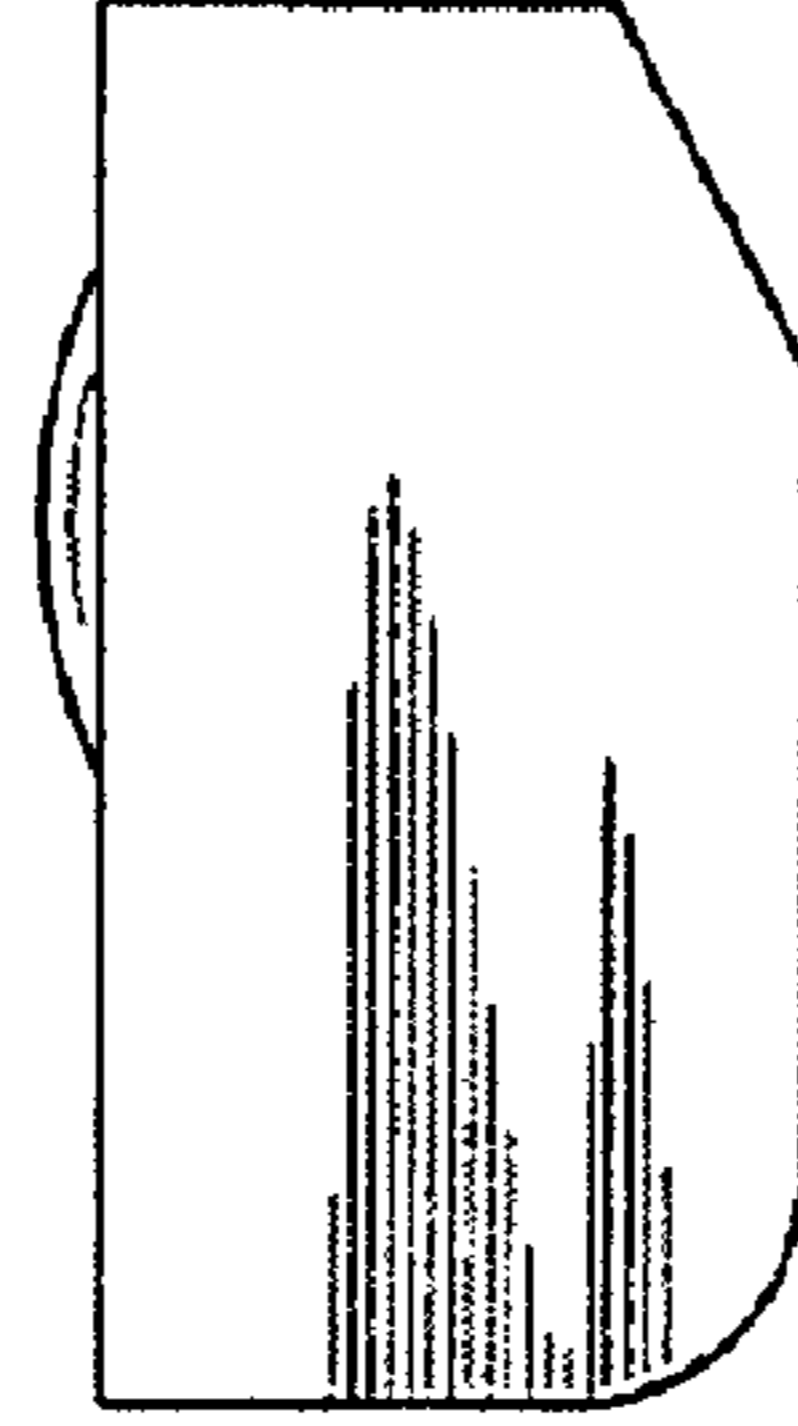


FIG. 11

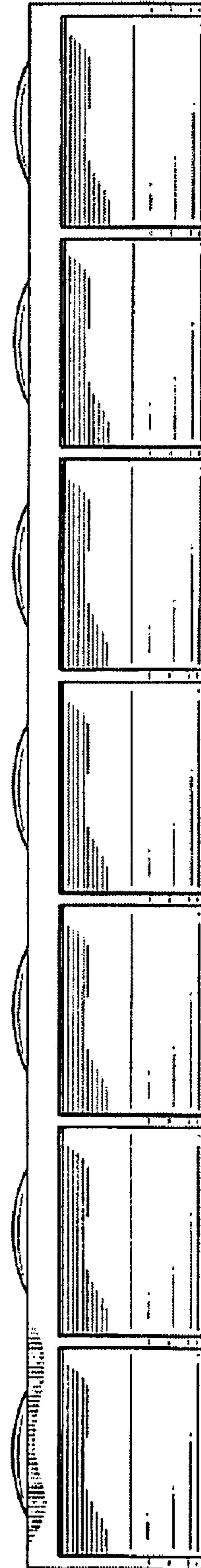


FIG. 12

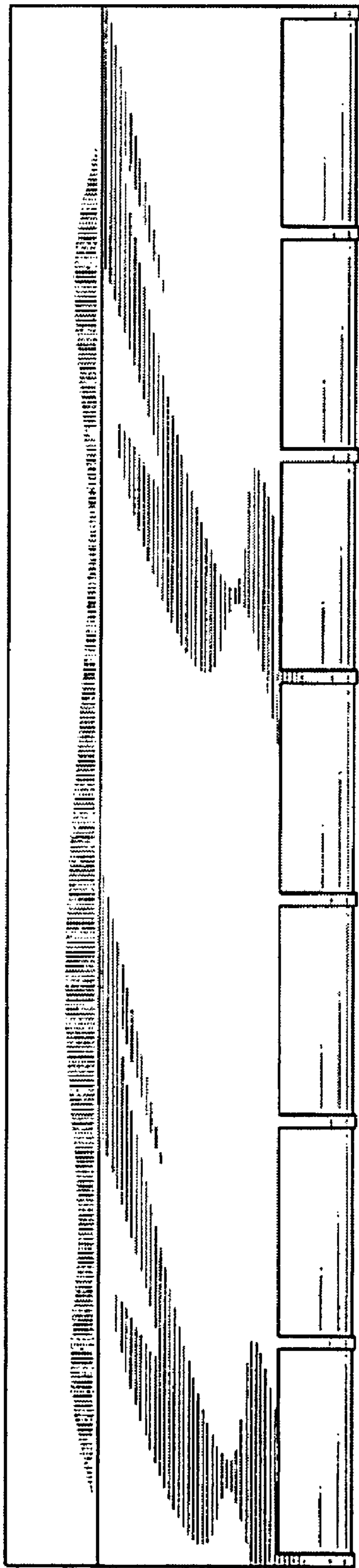


FIG. 13

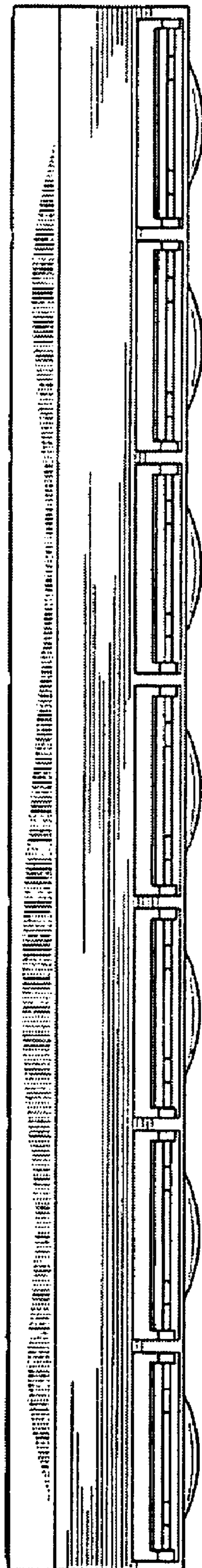


FIG. 14