



US00D587003S

(12) **United States Design Patent**  
**Shinohara**

(10) **Patent No.:** **US D587,003 S**

(45) **Date of Patent:** **\*\* Feb. 24, 2009**

(54) **BOTTOM RUBBER SOCKET FOR A WALKING STICK**

(76) Inventor: **Seiichi Shinohara**, 503, 1-16-5, Yawata, Ichikawa-city, Chiba (JP)

(\*\*) Term: **14 Years**

(21) Appl. No.: **29/317,035**

(22) Filed: **Apr. 22, 2008**

(30) **Foreign Application Priority Data**

Dec. 26, 2007 (JP) ..... 2007-35589

(51) **LOC (9) Cl.** ..... **03-03**

(52) **U.S. Cl.** ..... **D3/17**

(58) **Field of Classification Search** ..... D3/5-17;  
D12/128, 130, 131, 133; D6/495; 135/16,  
135/17, 65, 66, 68, 71-73, 76, 77, 82; 248/519,  
248/523, 539

See application file for complete search history.

(56) **References Cited**

**U.S. PATENT DOCUMENTS**

4,947,882 A \* 8/1990 Levasseur ..... 135/77  
D362,336 S \* 9/1995 Weaver ..... D3/17  
D412,615 S \* 8/1999 Brightbill et al. .... D3/17  
D417,070 S \* 11/1999 Wyler ..... D3/17  
6,557,188 B1 \* 5/2003 Peterson ..... 135/66

D476,803 S \* 7/2003 Margolis ..... D3/17  
D511,889 S \* 11/2005 Cockrell ..... D3/17  
D570,094 S \* 6/2008 Wainwright ..... D3/17  
D576,402 S \* 9/2008 White ..... D3/17

\* cited by examiner

*Primary Examiner*—T. Chase Nelson

*Assistant Examiner*—Anhdao Doan

(74) *Attorney, Agent, or Firm*—Leydig, Voit & Mayer, Ltd.

(57) **CLAIM**

I claim the ornamental design for a bottom rubber socket for a walking stick, as shown and described.

**DESCRIPTION**

FIG. 1 is a perspective view of a bottom rubber socket for a walking stick of the present invention;

FIG. 2 is a front elevation view thereof;

FIG. 3 is a rear elevation view thereof;

FIG. 4 is a top plan view thereof;

FIG. 5 is a bottom plan view thereof;

FIG. 6 is a left side elevation view thereof;

FIG. 7 is a right side elevation view thereof; and,

FIG. 8 is a cross-sectional view thereof, taken in the direction of the arrows on the line 8—8 on FIG. 4.

**1 Claim, 4 Drawing Sheets**

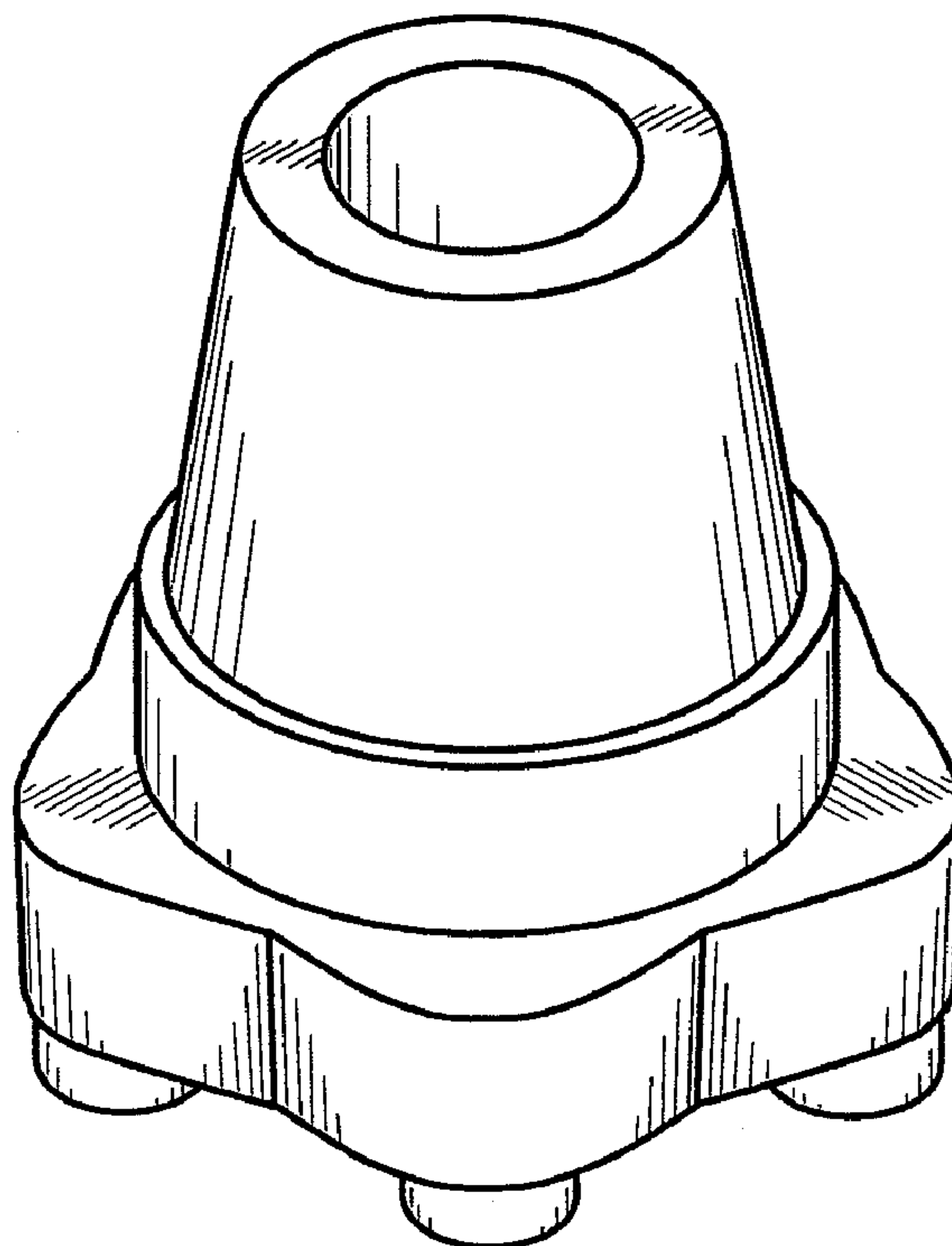


FIG. 1

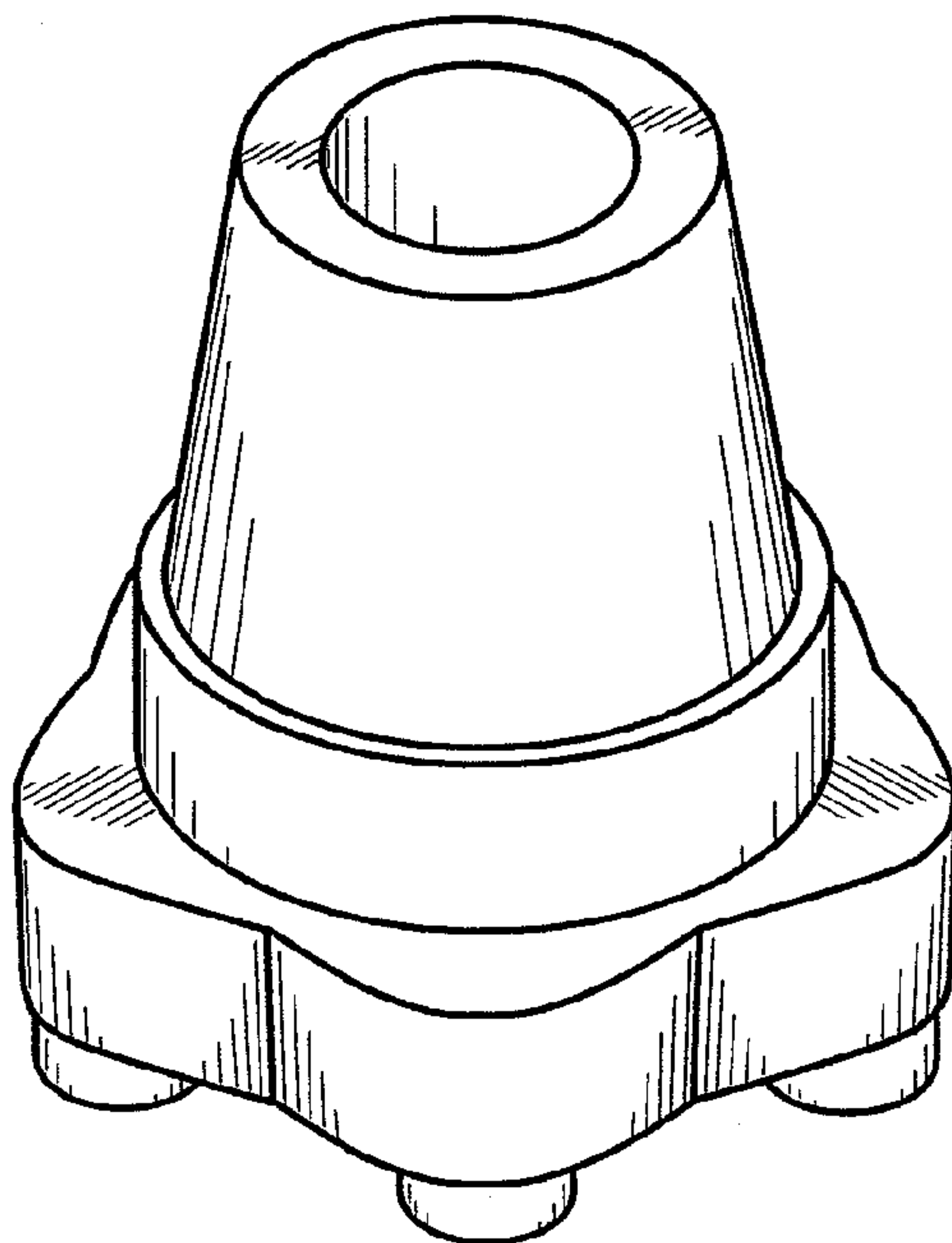


FIG. 2

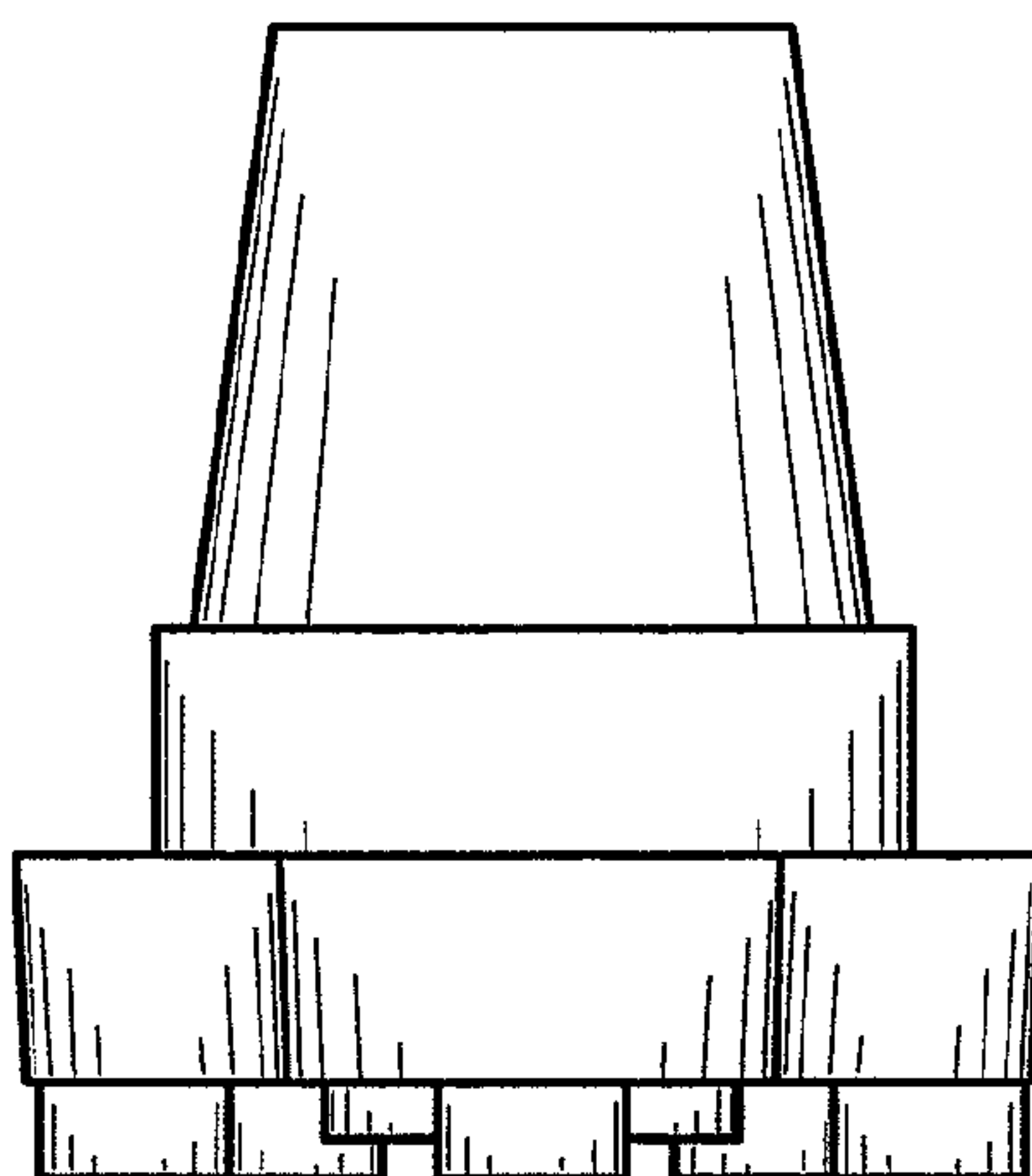


FIG. 3

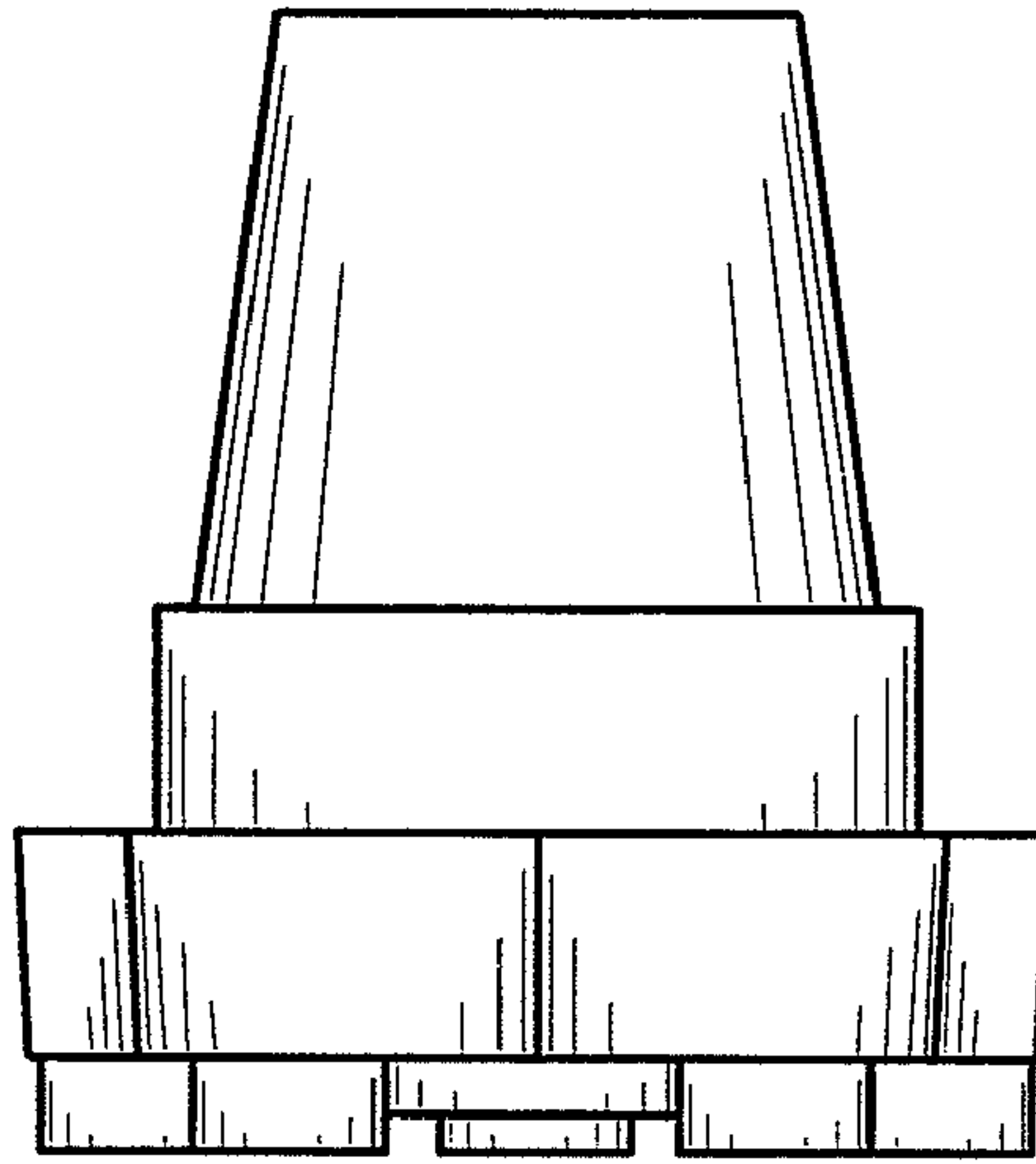


FIG. 4

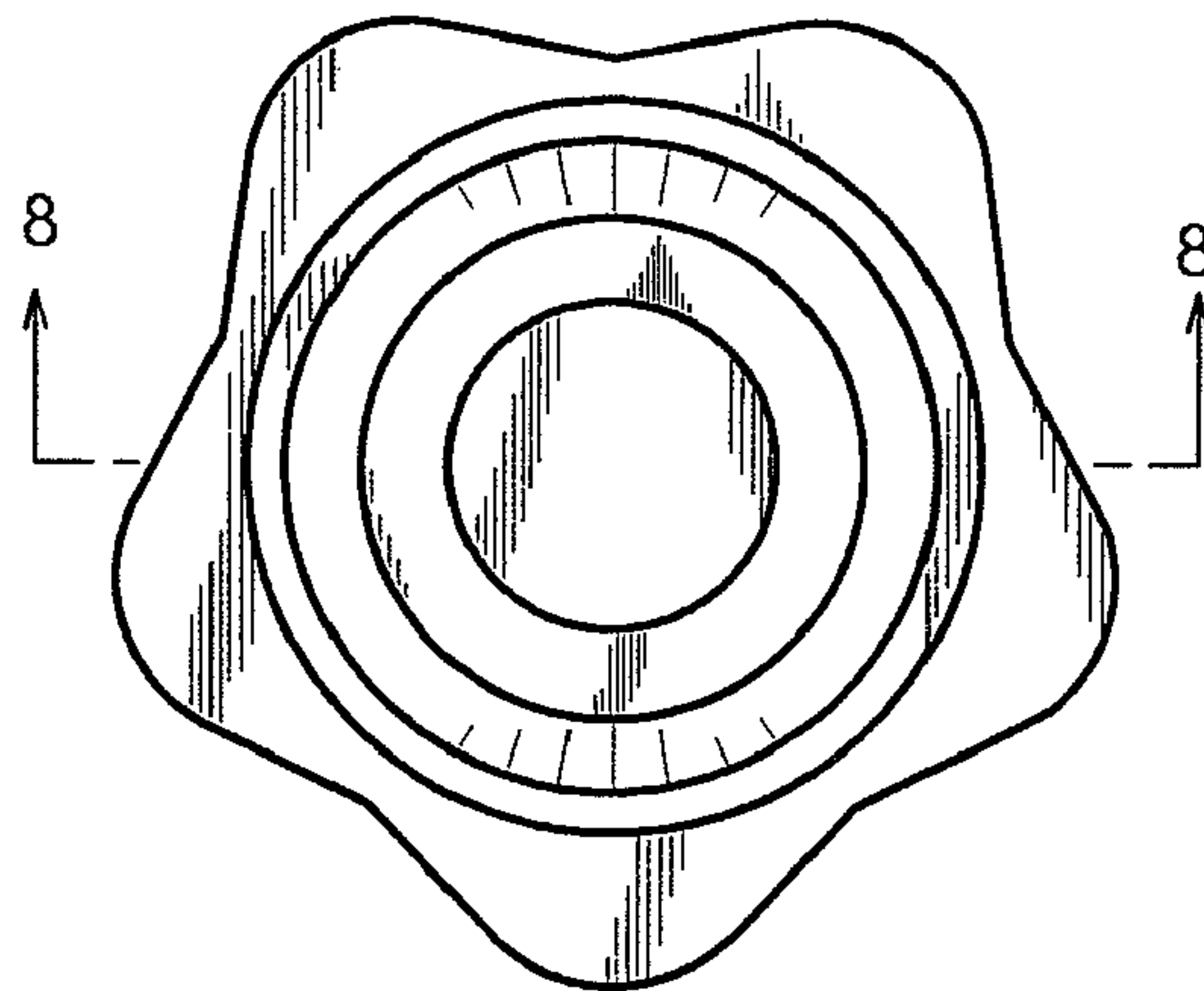


FIG. 5

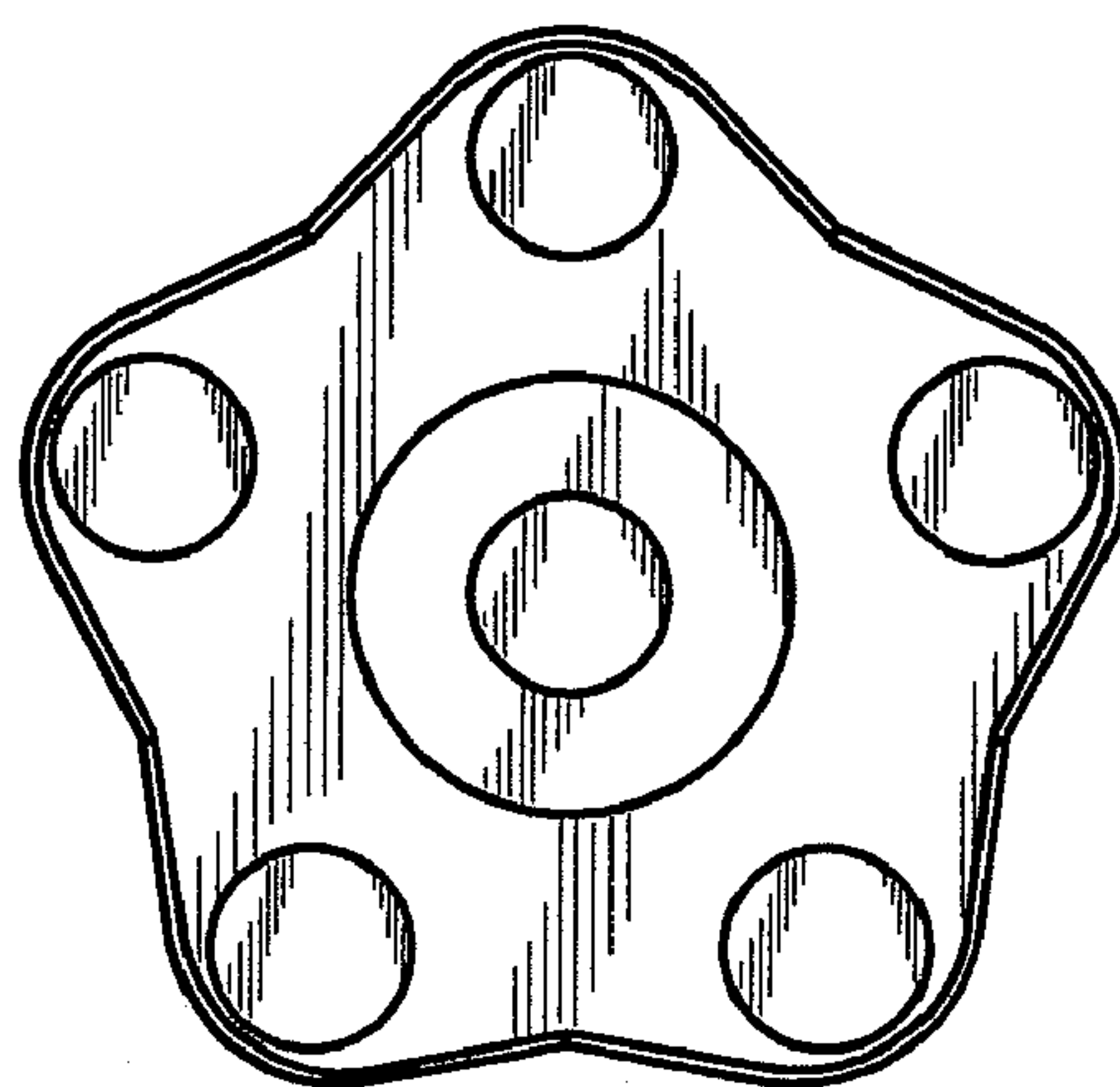


FIG. 6

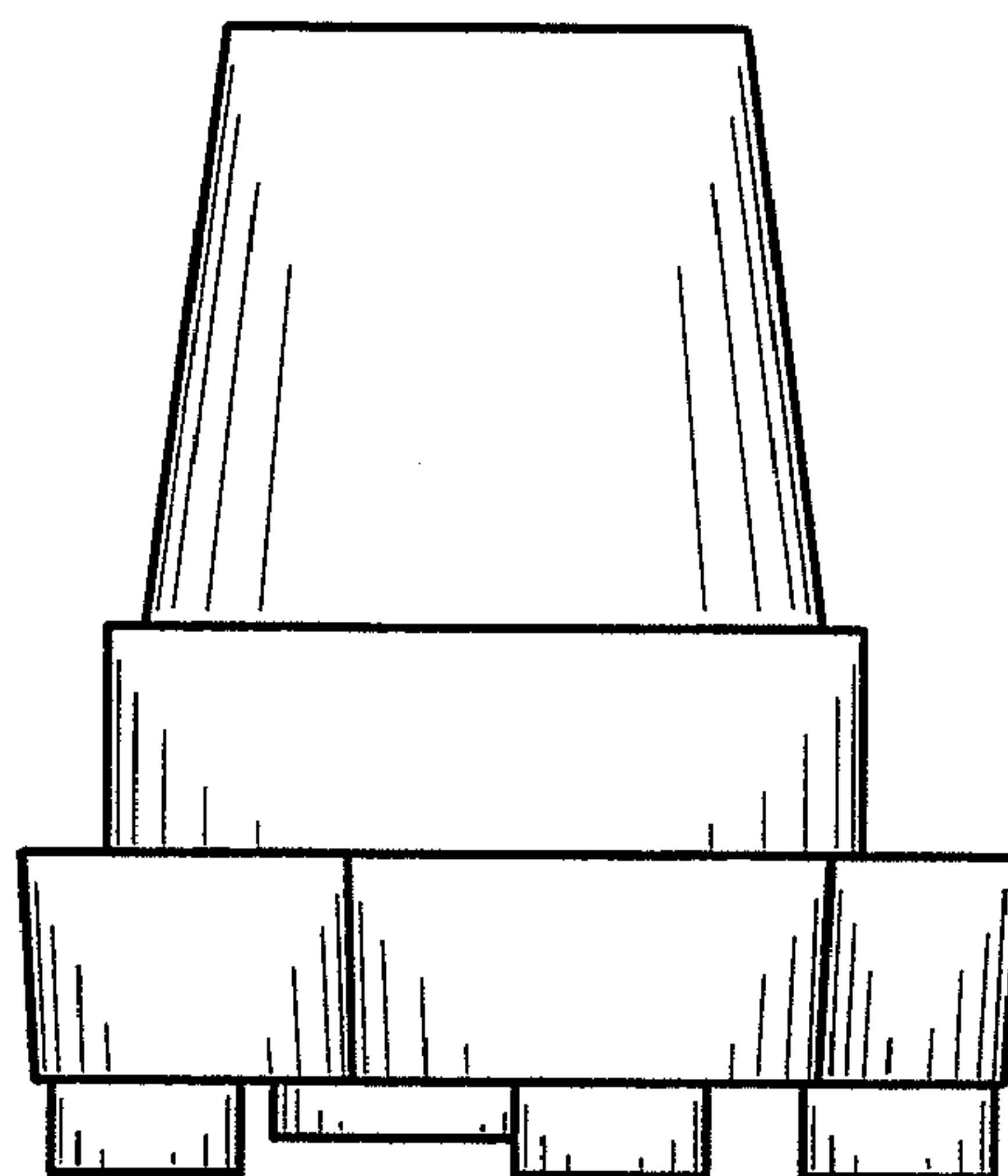


FIG. 7

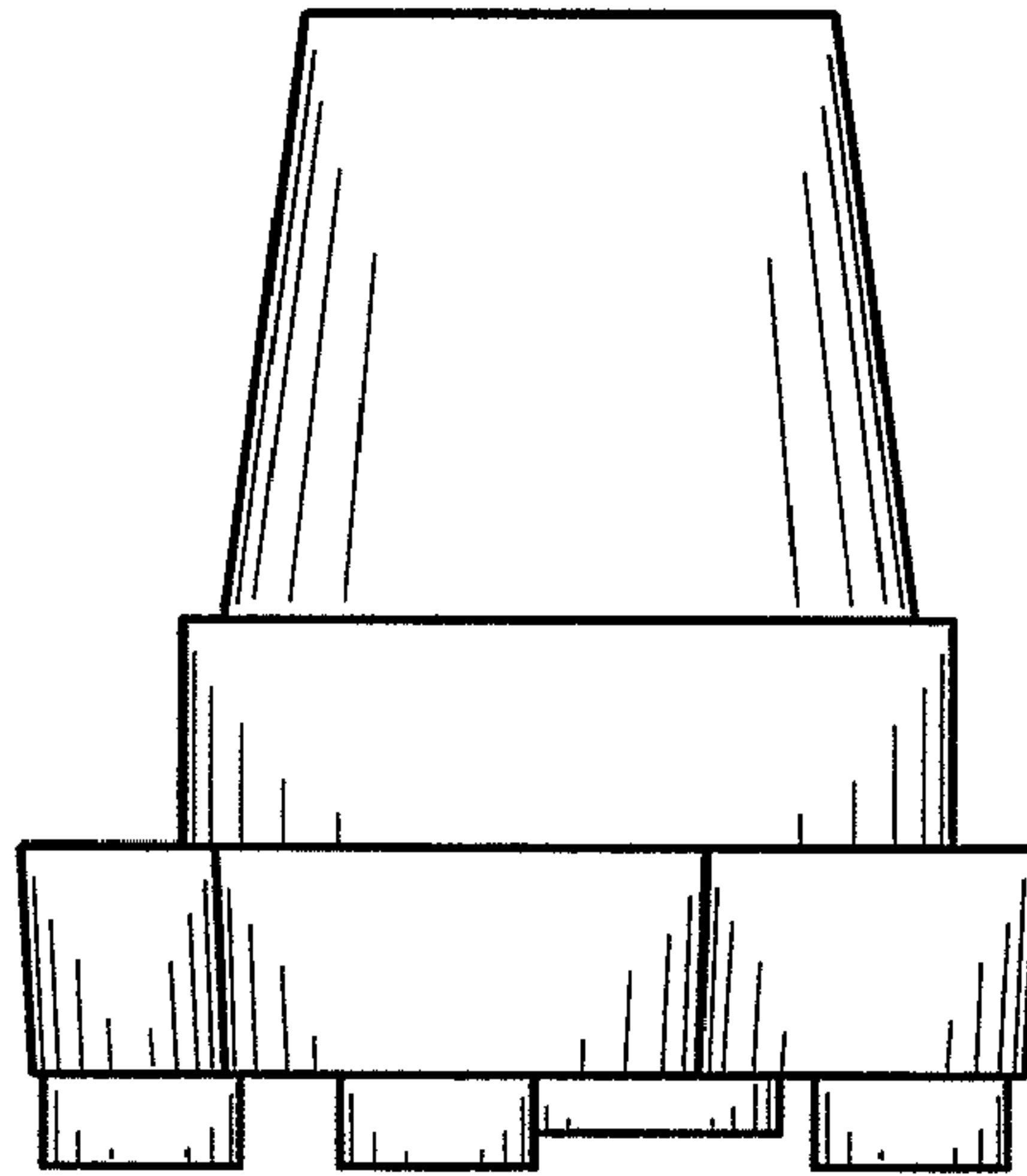


FIG. 8

