



US00D586975S

(12) **United States Design Patent**
Knox

(10) **Patent No.:** **US D586,975 S**

(45) **Date of Patent:** **** Feb. 17, 2009**

(54) **SECURITY BOX**

(75) Inventor: **Stefan Knox**, Billingshurst (GB)

(73) Assignee: **Autosafe International Limited**,
Guildford, Surrey (GB)

(**) Term: **14 Years**

(21) Appl. No.: **29/318,616**

(22) Filed: **May 23, 2008**

(51) **LOC (9) Cl.** **06-04**

(52) **U.S. Cl.** **D99/28; D99/34**

(58) **Field of Classification Search** D99/28,
D99/34-36, 43, 99; D18/3.1-3.3; D14/385,
D14/448, 173, 307, 901, 146, 144, 151; 235/375-381,
235/100; 705/35, 43; 109/2, 24.1, 50, 53,
109/66, 83; 106/644; 52/659, 73; 902/8,
902/9, 21, 30; 340/5.41; 348/150; D20/1,
D20/2; D25/16; 361/681, 683, 686, 687,
361/694; D6/573, 634; D3/201, 291, 294,
D3/276, 273; 194/202, 379, 381; 206/8,
206/815

See application file for complete search history.

(56) **References Cited**

U.S. PATENT DOCUMENTS

| | | | | |
|---------------|---------|-----------------|-------|--------|
| D121,362 S * | 7/1940 | Binks | | D99/28 |
| D273,908 S * | 5/1984 | Hoogeveen | | D99/28 |
| D281,921 S * | 12/1985 | Losi | | D99/28 |
| D289,582 S * | 5/1987 | Brush et al. | | D3/281 |
| D302,491 S * | 8/1989 | Brush et al. | | D3/294 |
| D335,378 S * | 5/1993 | Mariol | | D99/28 |
| 5,377,514 A * | 1/1995 | Robbins et al. | | 70/452 |
| D385,674 S * | 10/1997 | Sugawara et al. | | D99/28 |

| | | | | |
|--------------|---------|-------------------|-------|--------|
| D386,307 S * | 11/1997 | Naas et al. | | D3/294 |
| D399,632 S * | 10/1998 | Davis et al. | | D99/28 |
| D474,596 S * | 5/2003 | Osiecki et al. | | D3/273 |
| D481,850 S * | 11/2003 | Magee et al. | | D99/28 |
| D482,177 S * | 11/2003 | Washington et al. | | D99/28 |
| D489,158 S * | 4/2004 | Magee et al. | | D99/28 |
| D528,735 S * | 9/2006 | Osiecki et al. | | D99/43 |
| D541,045 S * | 4/2007 | Peart et al. | | D3/291 |
| D569,073 S * | 5/2008 | Osiecki et al. | | D99/28 |
| D579,625 S * | 10/2008 | Kang et al. | | D99/28 |

* cited by examiner

Primary Examiner—Robert M Spear

Assistant Examiner—Susan E Krakower

(74) *Attorney, Agent, or Firm*—Fay Sharpe LLP

(57) **CLAIM**

The ornamental design for a security box, as shown and described.

DESCRIPTION

FIG. 1 is a front elevational view of a security box showing my new design;

FIG. 2 is a rear elevational view thereof;

FIG. 3 is a top plan view thereof;

FIG. 4 is a bottom plan view thereof;

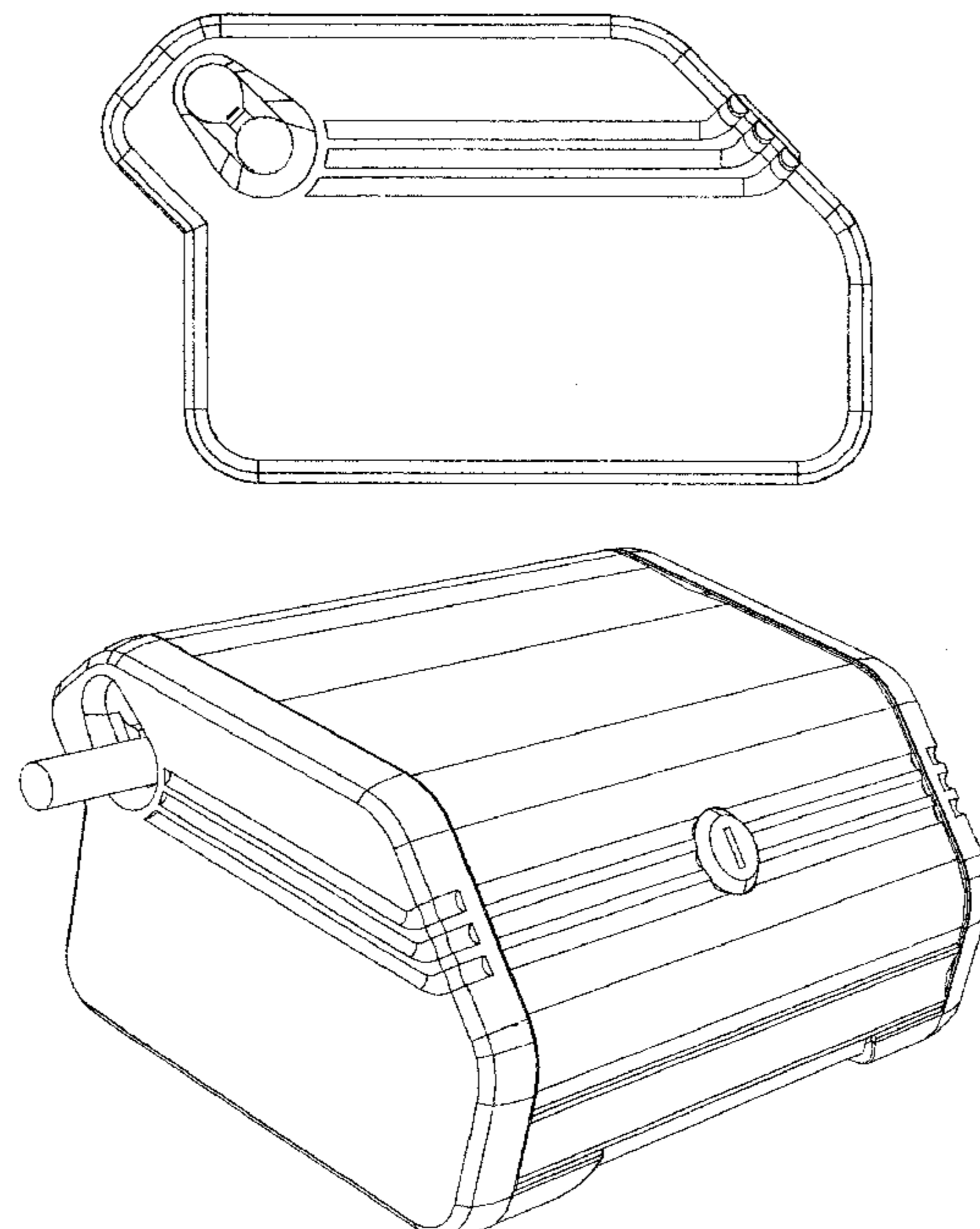
FIG. 5 is a left side elevational view thereof;

FIG. 6 is a right side elevational view thereof;

FIG. 7 is a front, top and left side perspective view thereof; and,

FIG. 8 is a rear, bottom and right side perspective view thereof.

1 Claim, 8 Drawing Sheets



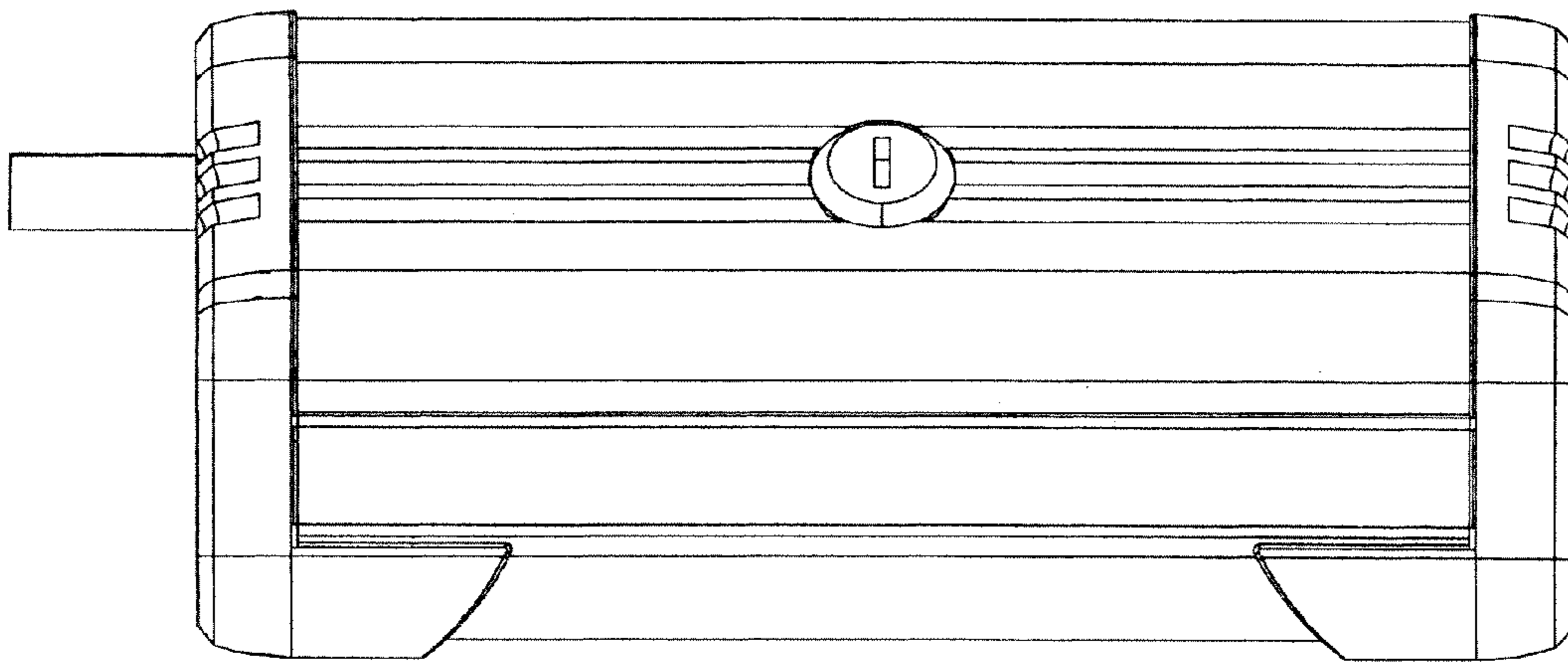


FIG. 1

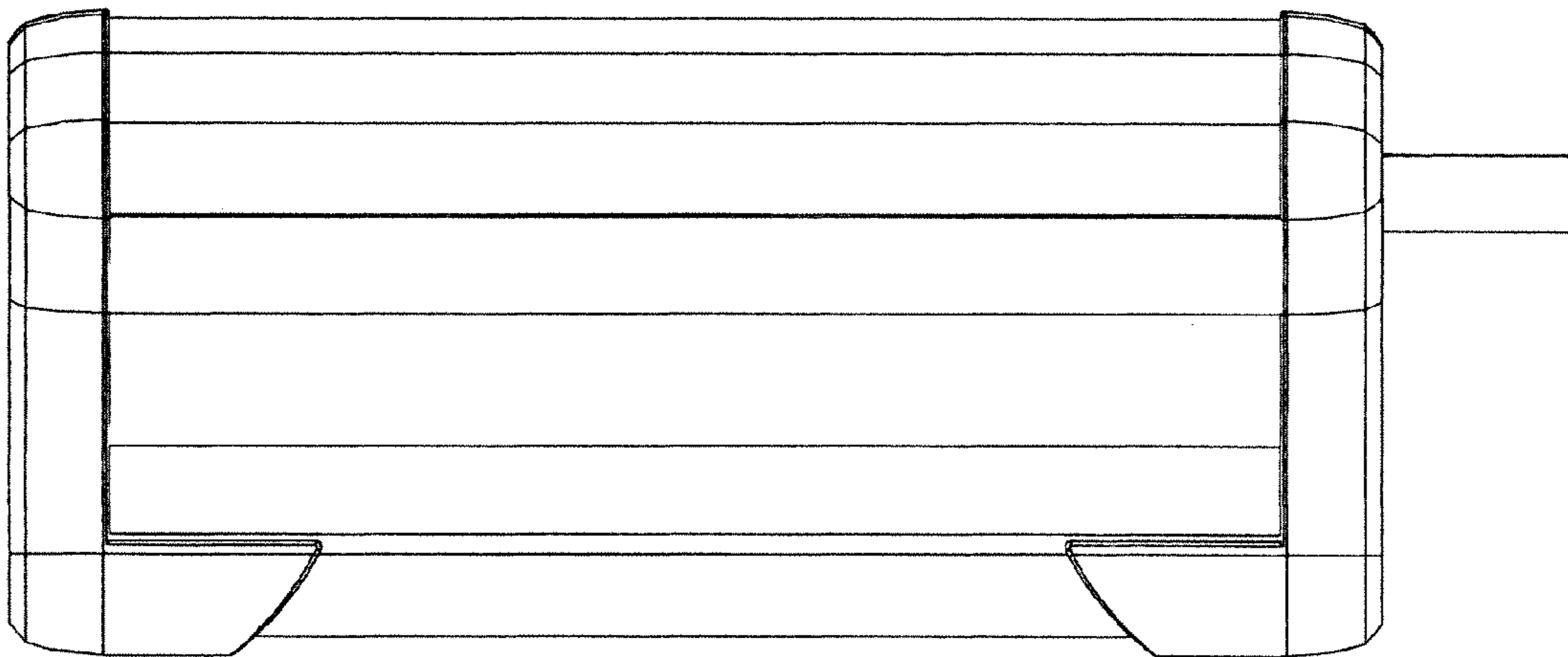


FIG. 2

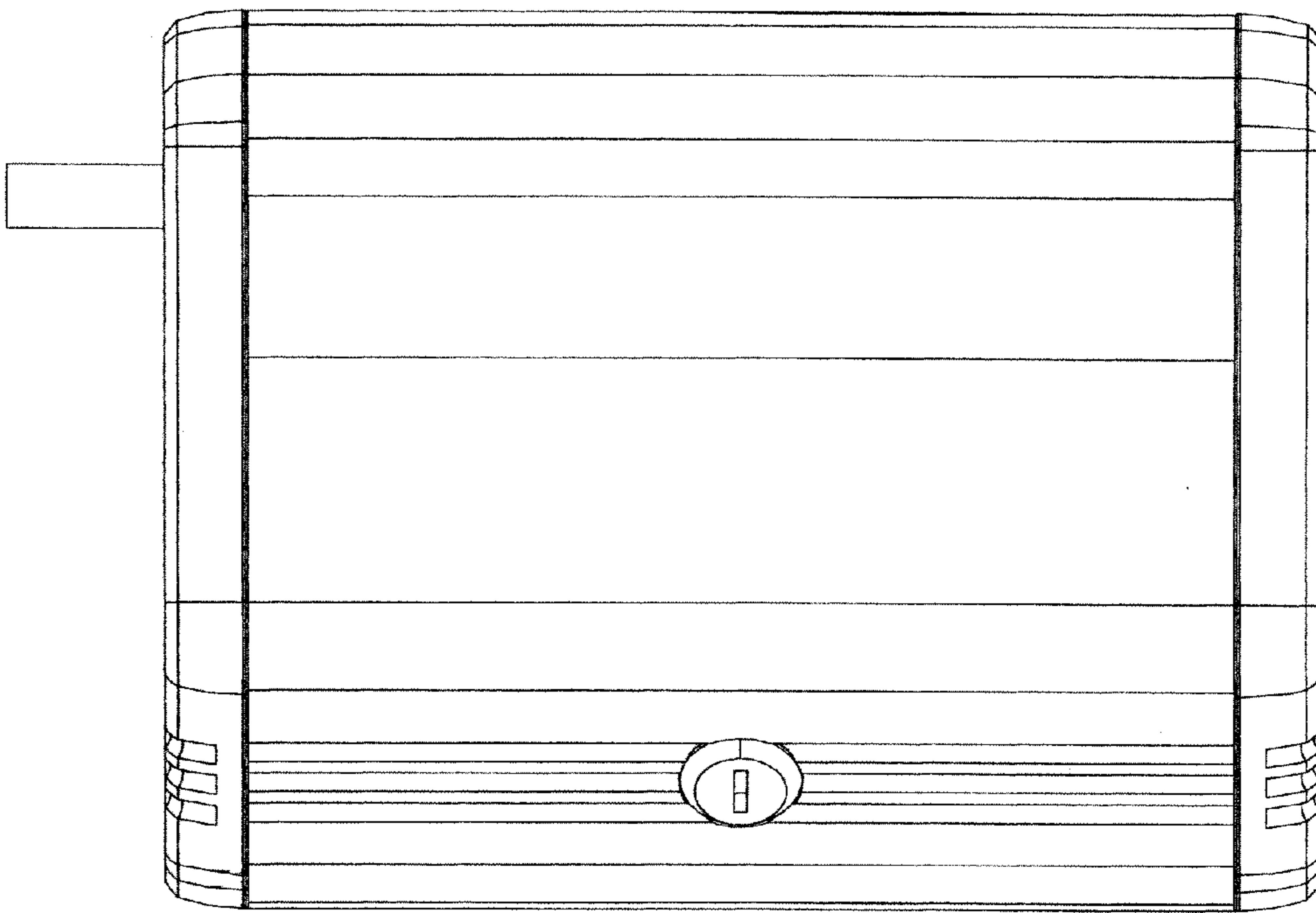


FIG. 3

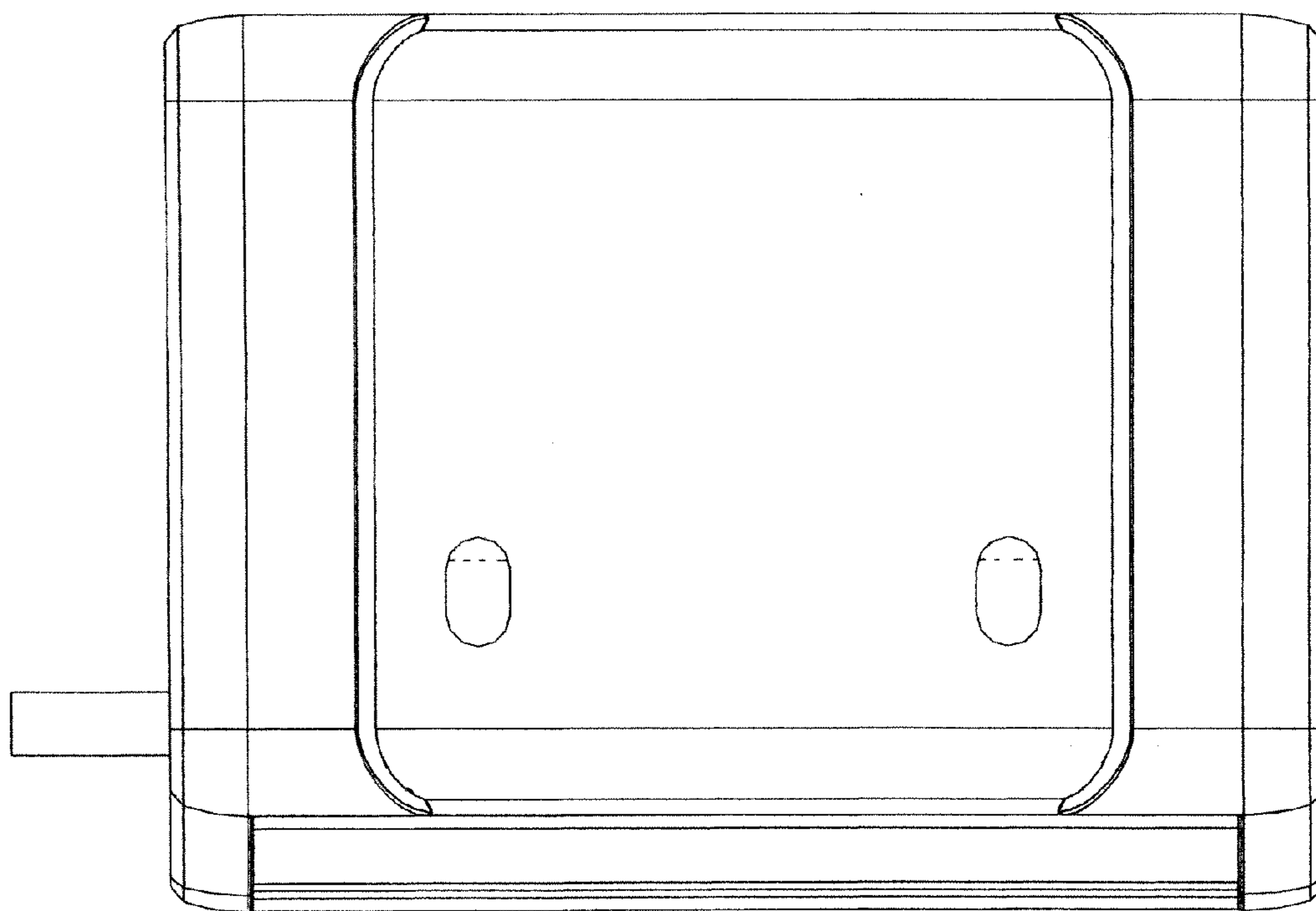


FIG. 4

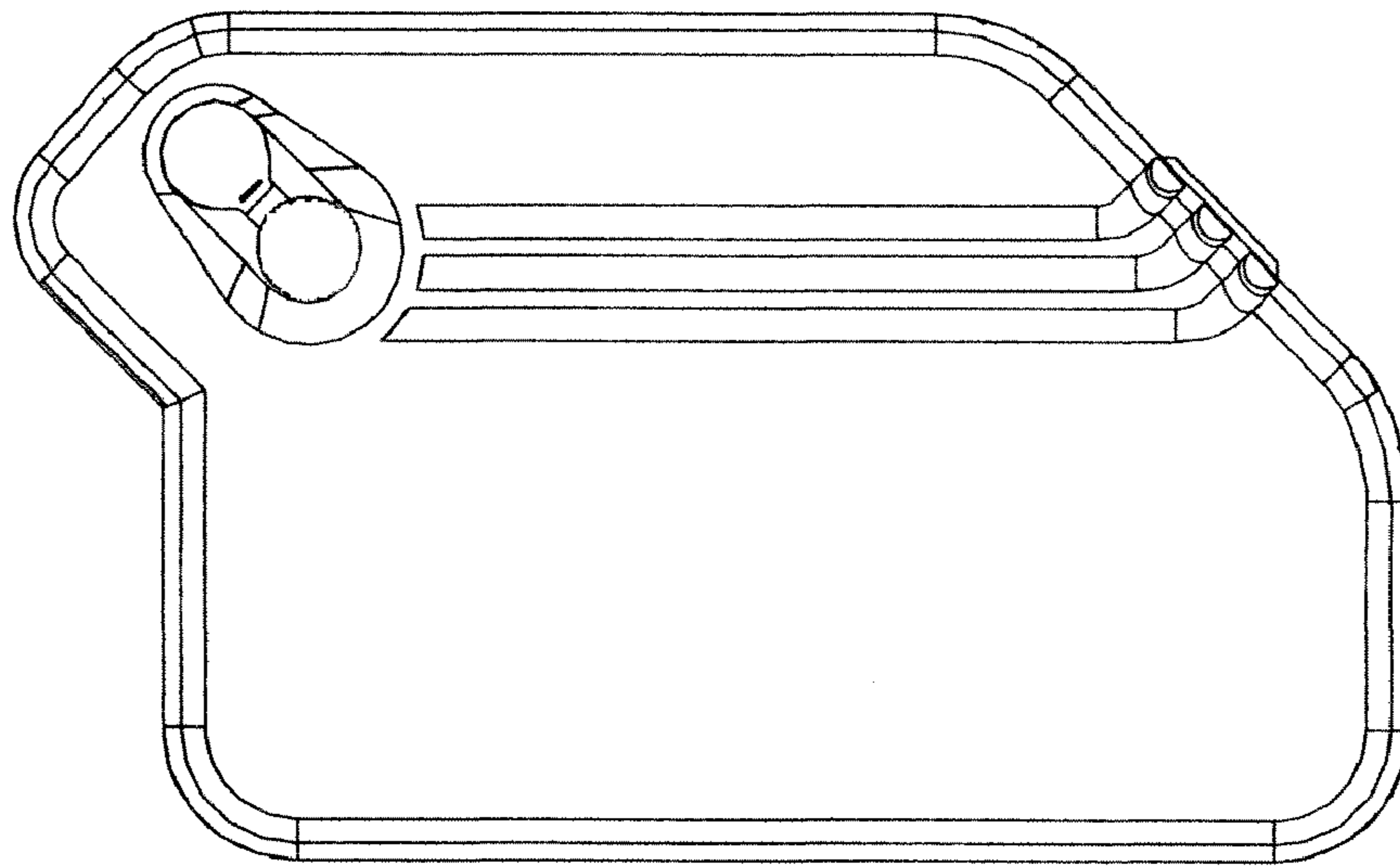


FIG. 5

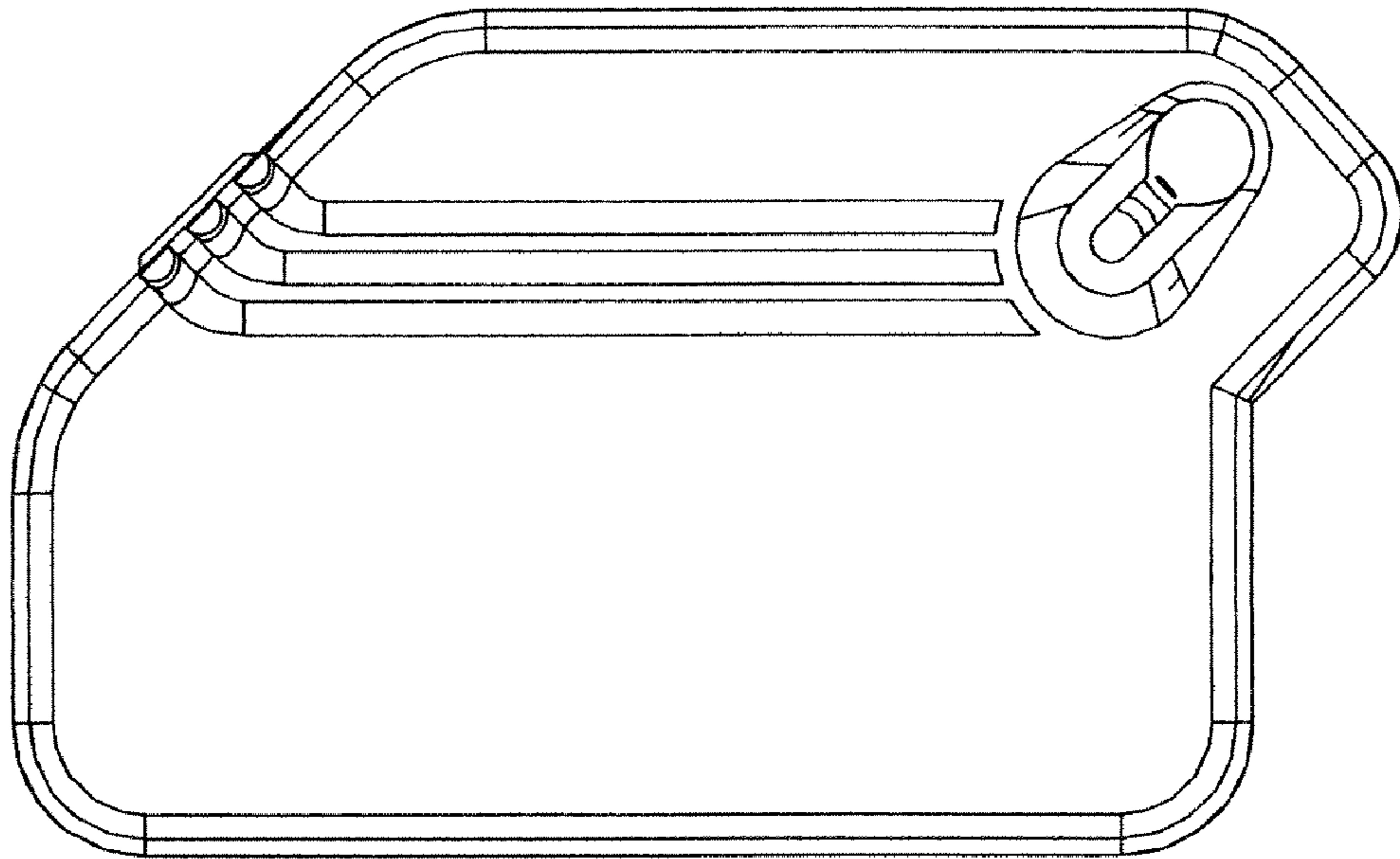


FIG. 6

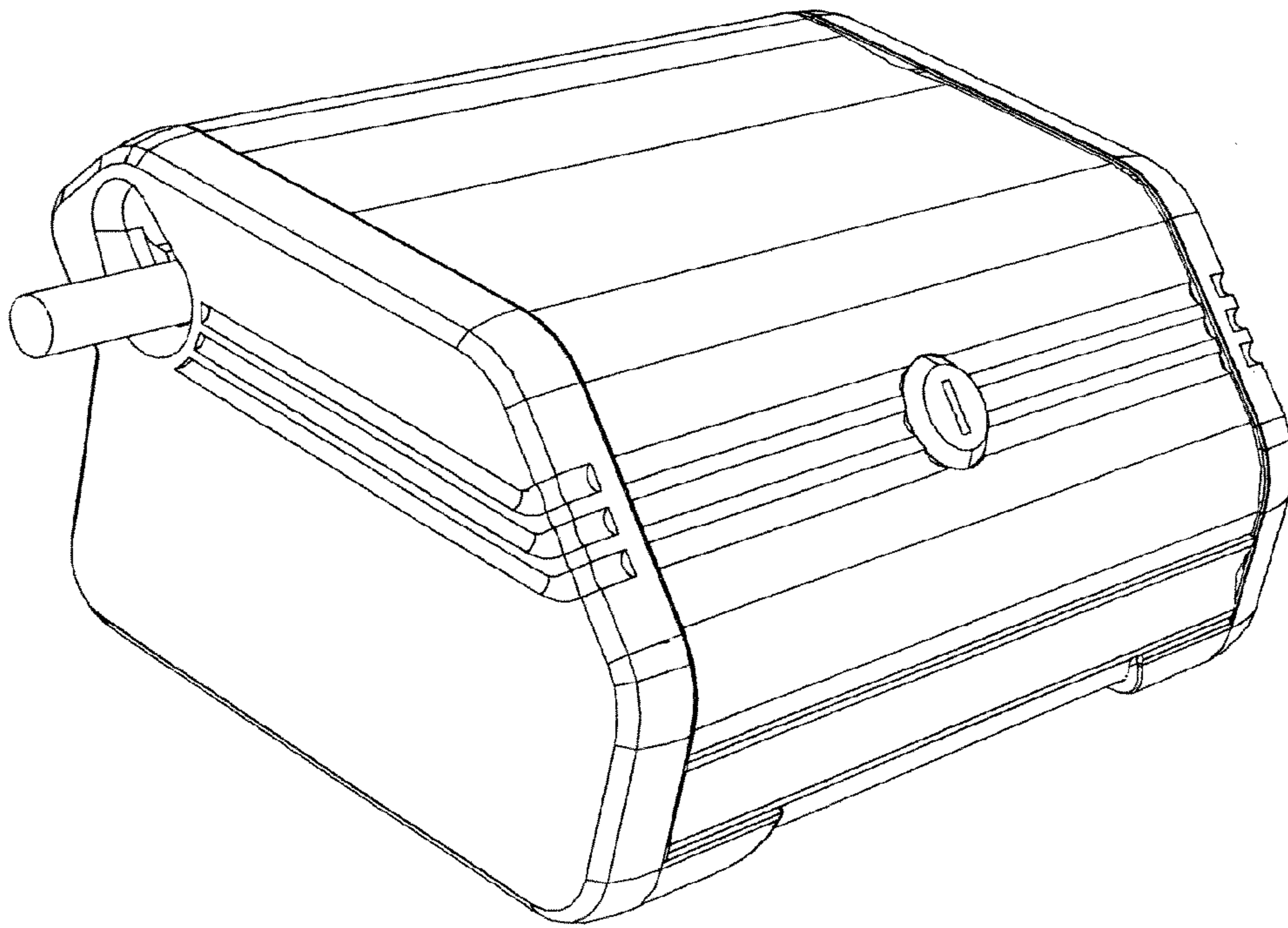


FIG. 7

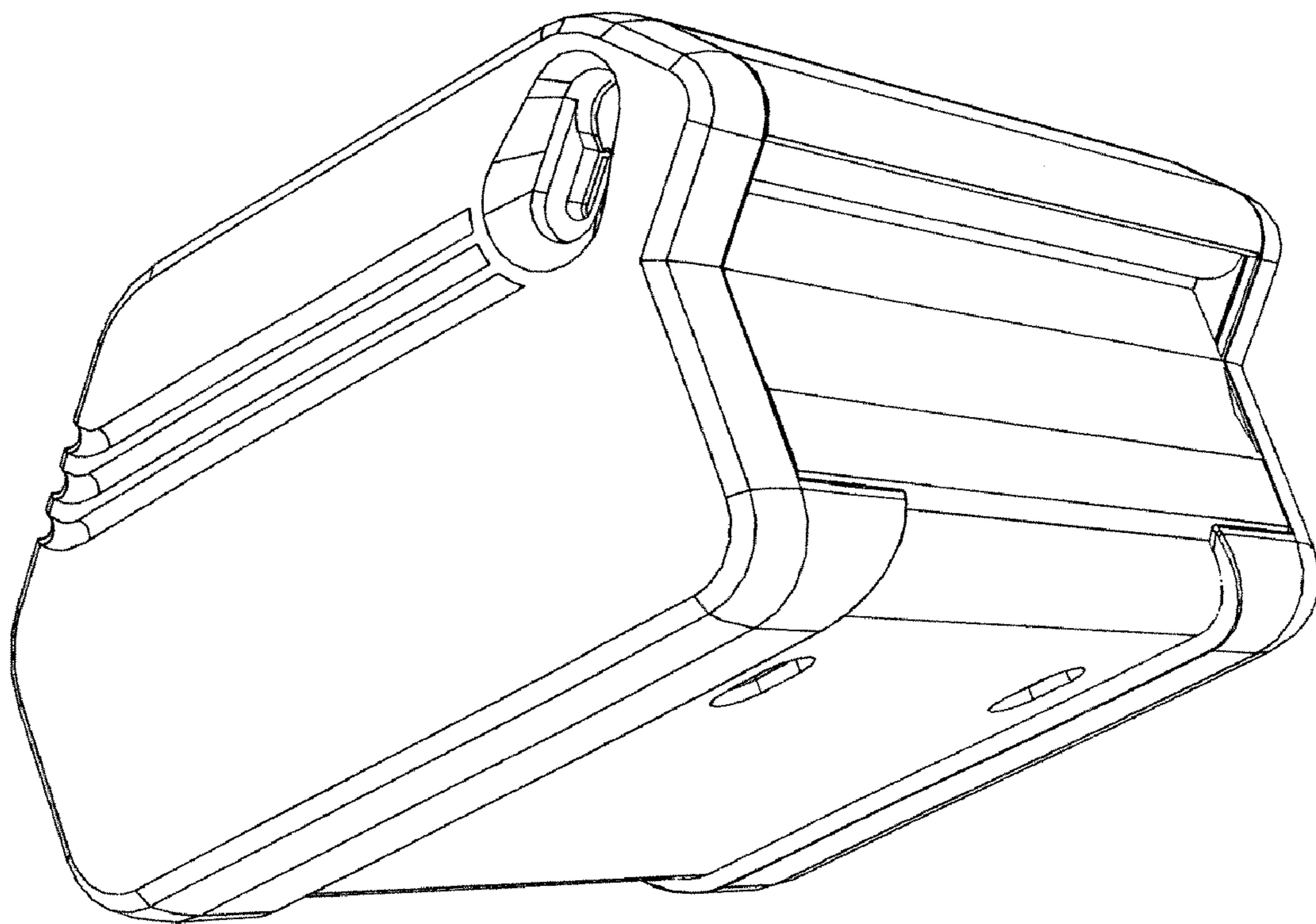


FIG. 8