



US00D586970S

(12) **United States Design Patent**  
**Berti**

(10) **Patent No.:** **US D586,970 S**  
(45) **Date of Patent:** **\*\* Feb. 17, 2009**

- (54) **DUSTPAN**
  - (75) Inventor: **Enzo Berti**, Venice (IT)
  - (73) Assignee: **The Libman Company**, Arcola, IL (US)
  - (\*\*) Term: **14 Years**
  - (21) Appl. No.: **29/247,950**
  - (22) Filed: **Jul. 21, 2006**
  - (51) **LOC (9) Cl.** ..... **07-05**
  - (52) **U.S. Cl.** ..... **D32/74**
  - (58) **Field of Classification Search** ..... D32/74;  
D8/10; D30/162; 15/257.1–257.9; 294/55–56,  
294/1.3
- See application file for complete search history.

(56) **References Cited**

**U.S. PATENT DOCUMENTS**

- 317,433 A \* 5/1885 Atwood ..... 15/257.8
- D54,891 S \* 4/1920 Brule ..... D32/74
- 2,987,749 A \* 6/1961 Gortner ..... 15/257.1
- D339,437 S \* 9/1993 Hinderer ..... D32/74
- D345,238 S 3/1994 Berti
- D347,915 S 6/1994 Berti
- D422,389 S \* 4/2000 Gay ..... D32/74
- D427,739 S \* 7/2000 Demore ..... D32/74
- D475,828 S 6/2003 Libman et al.

- D475,838 S \* 6/2003 York ..... D2/864
- D481,504 S 10/2003 Libman et al.
- D508,760 S \* 8/2005 Berti ..... D32/74
- D510,165 S \* 9/2005 Berti ..... D32/74
- D525,004 S 7/2006 Berti

\* cited by examiner

*Primary Examiner*—Pamela J Burgess  
(74) *Attorney, Agent, or Firm*—Banner & Witcoff, Ltd.

(57) **CLAIM**

An ornamental design for a dustpan, as shown and described.

**DESCRIPTION**

FIG. 1 is a front perspective view showing my new design of a dustpan;

FIG. 2 is a top view thereof;

FIG. 3 is a bottom view thereof;

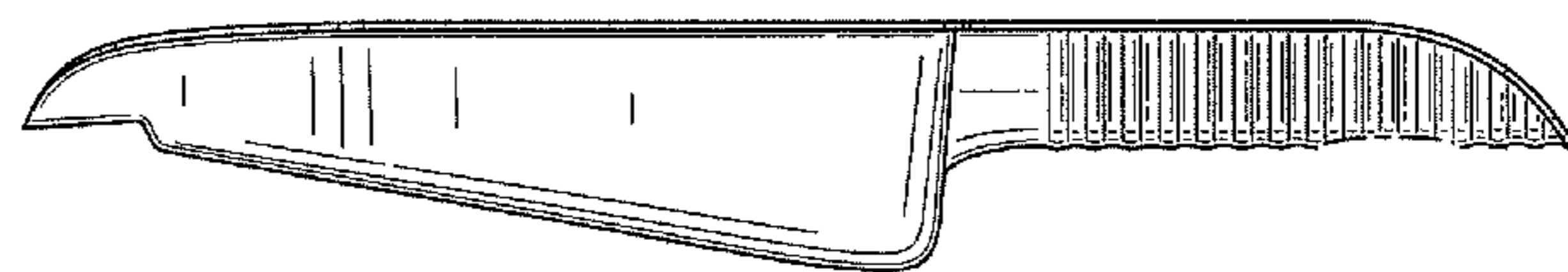
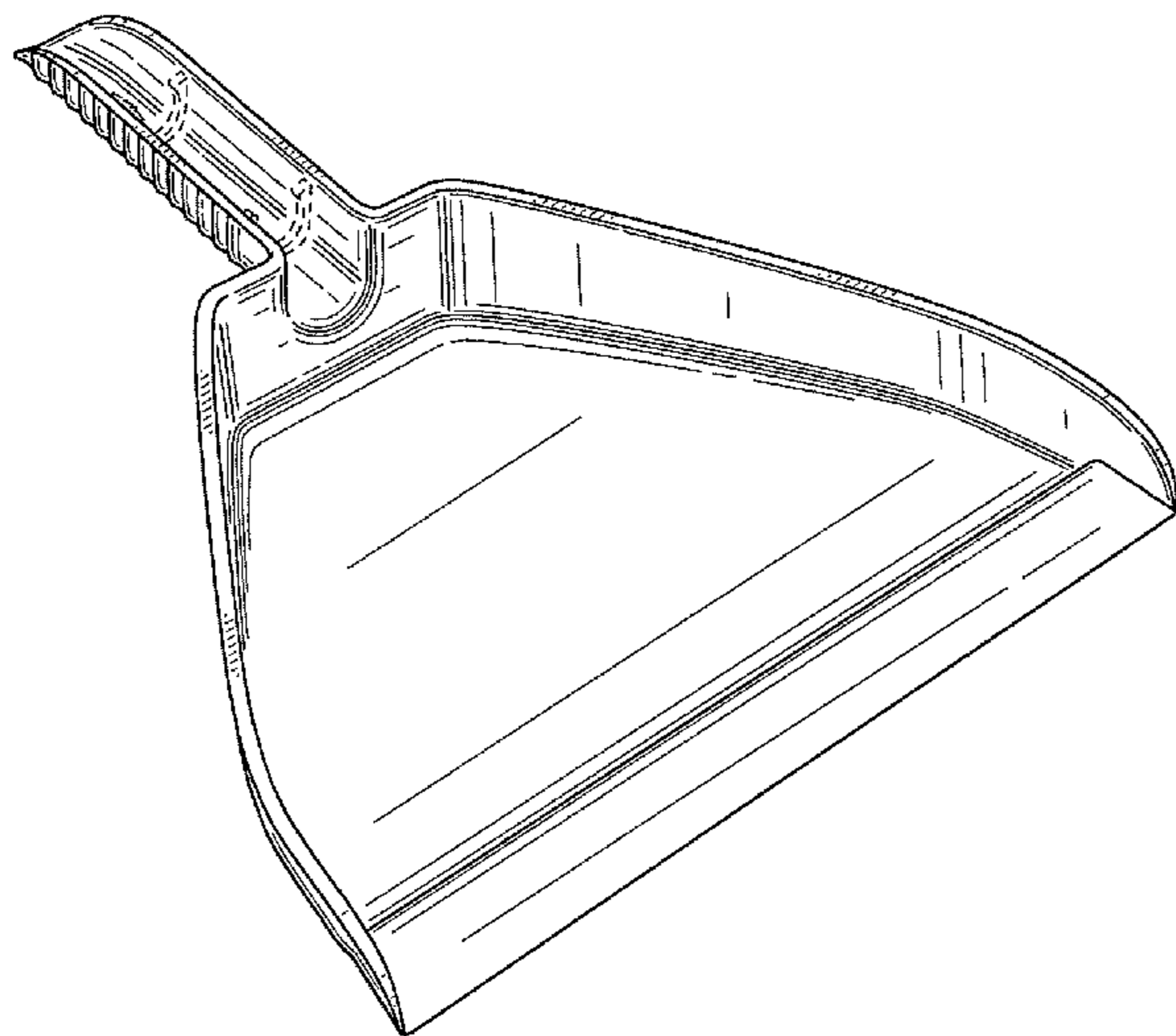
FIG. 4 is a right side view thereof, the left side view being a mirror image thereof;

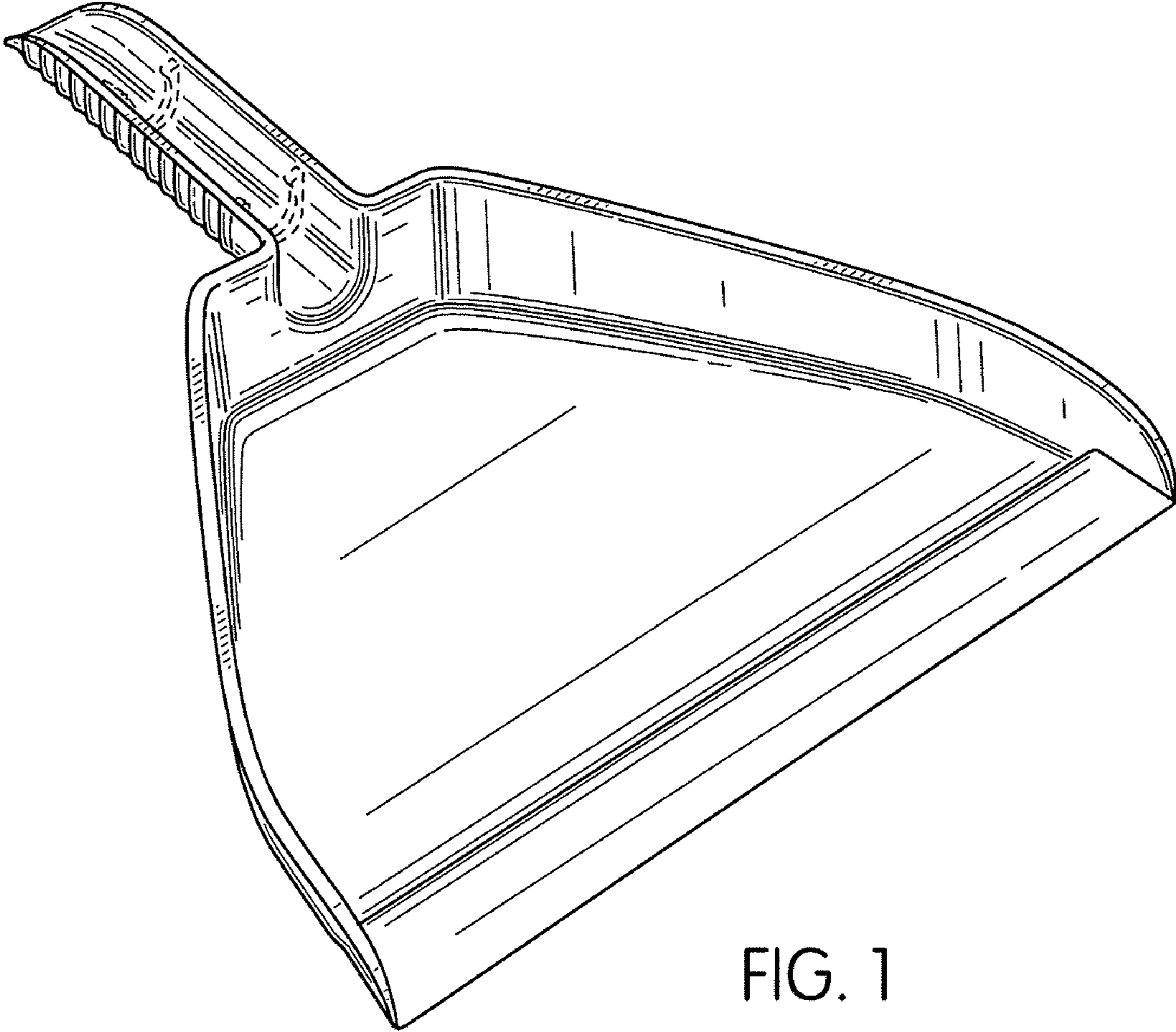
FIG. 5 is a front view thereof; and,

FIG. 6 is a rear view thereof.

The broken line showing in FIGS. 1–6 is for illustrative purposes only and forms no part of the claimed design.

**1 Claim, 3 Drawing Sheets**





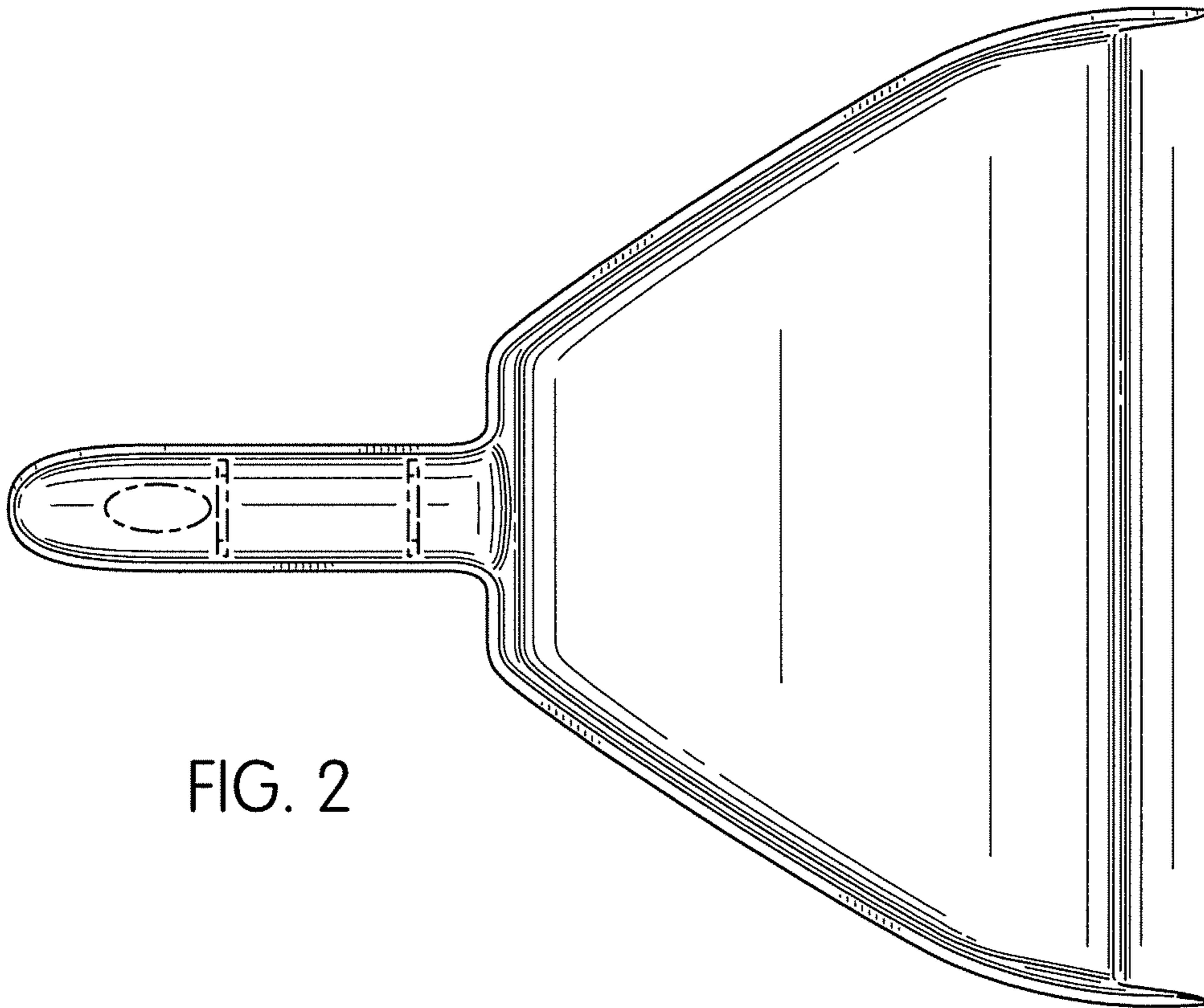


FIG. 2

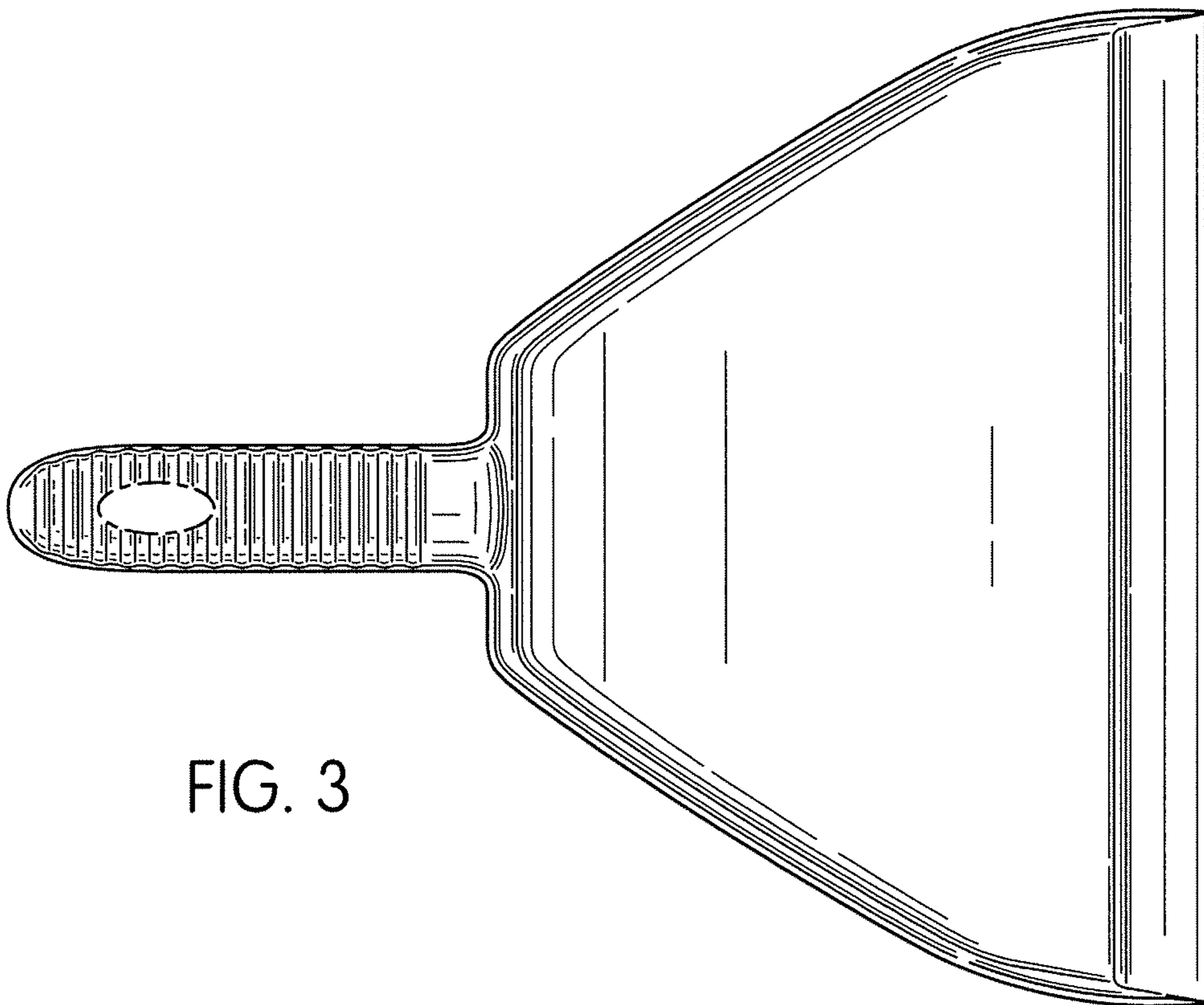


FIG. 3

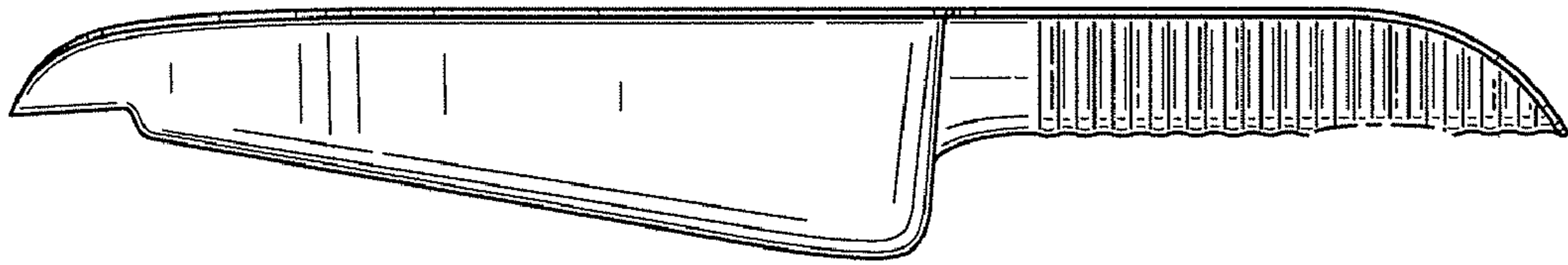


FIG. 4

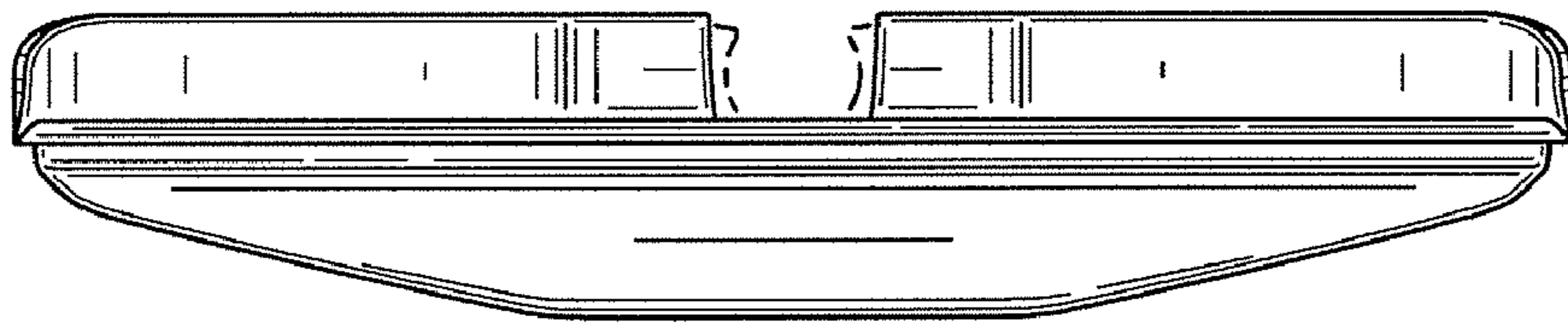


FIG. 5

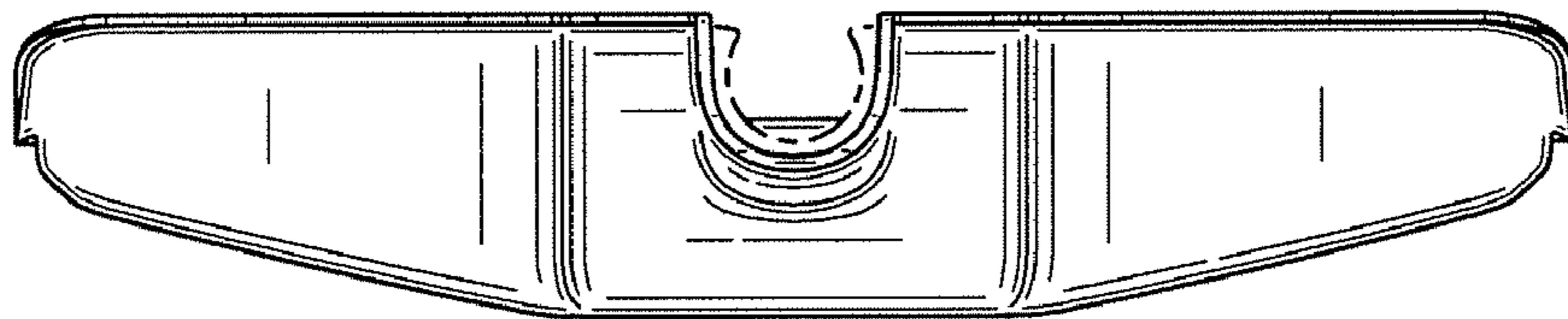


FIG. 6