



US00D586967S

(12) **United States Design Patent**
Libman et al.

(10) **Patent No.:** **US D586,967 S**
(45) **Date of Patent:** **** Feb. 17, 2009**

(54) **PORTION OF A CLEANING IMPLEMENT**

D532,569 S * 11/2006 Libman et al. D32/50

(75) Inventors: **Robert J. Libman**, Arcola, IL (US);
Enzo Berti, Pianiga (IT)

* cited by examiner

Primary Examiner—Pamela J Burgess

(73) Assignee: **The Libman Company**, Arcola, IL (US)

(74) *Attorney, Agent, or Firm*—Banner & Witcoff, Ltd.

(**) Term: **14 Years**

(57) **CLAIM**

(21) Appl. No.: **29/298,454**

The ornamental design for a portion of a cleaning implement, as shown and described.

(22) Filed: **Dec. 5, 2007**

DESCRIPTION

(51) **LOC (9) Cl.** **04-01**

FIG. 1 is a front right perspective view of a portion of a cleaning implement showing our new design;

(52) **U.S. Cl.** **D32/51**

FIG. 2 is a front view thereof, wherein a front unclaimed portion of the cleaning implement has been omitted for clarity;

(58) **Field of Classification Search** D32/50–52,
D32/40, 44; 473/301–302; 15/143.1, 119.2,
15/120.1, 116.1–116.2, 150, 209.1–210.1,
15/228, 231, 244.1–244.4, 144.1; 401/137–140
See application file for complete search history.

FIG. 3 is a rear view thereof; wherein a front unclaimed portion of the cleaning implement has been omitted for clarity;

(56) **References Cited**

U.S. PATENT DOCUMENTS

2,046,164	A *	6/1936	Herkner	473/302
2,961,676	A *	11/1960	Michaels et al.	15/119.2
4,308,762	A *	1/1982	Jannard	74/551.9
5,509,163	A *	4/1996	Morad	15/120.2
D411,780	S *	7/1999	Muller	D7/393
6,115,869	A *	9/2000	Libman	15/120.1
D506,050	S *	6/2005	Lalanne et al.	D32/45
6,920,664	B2 *	7/2005	Libman et al.	15/120.1

FIG. 4 is a left side view thereof;

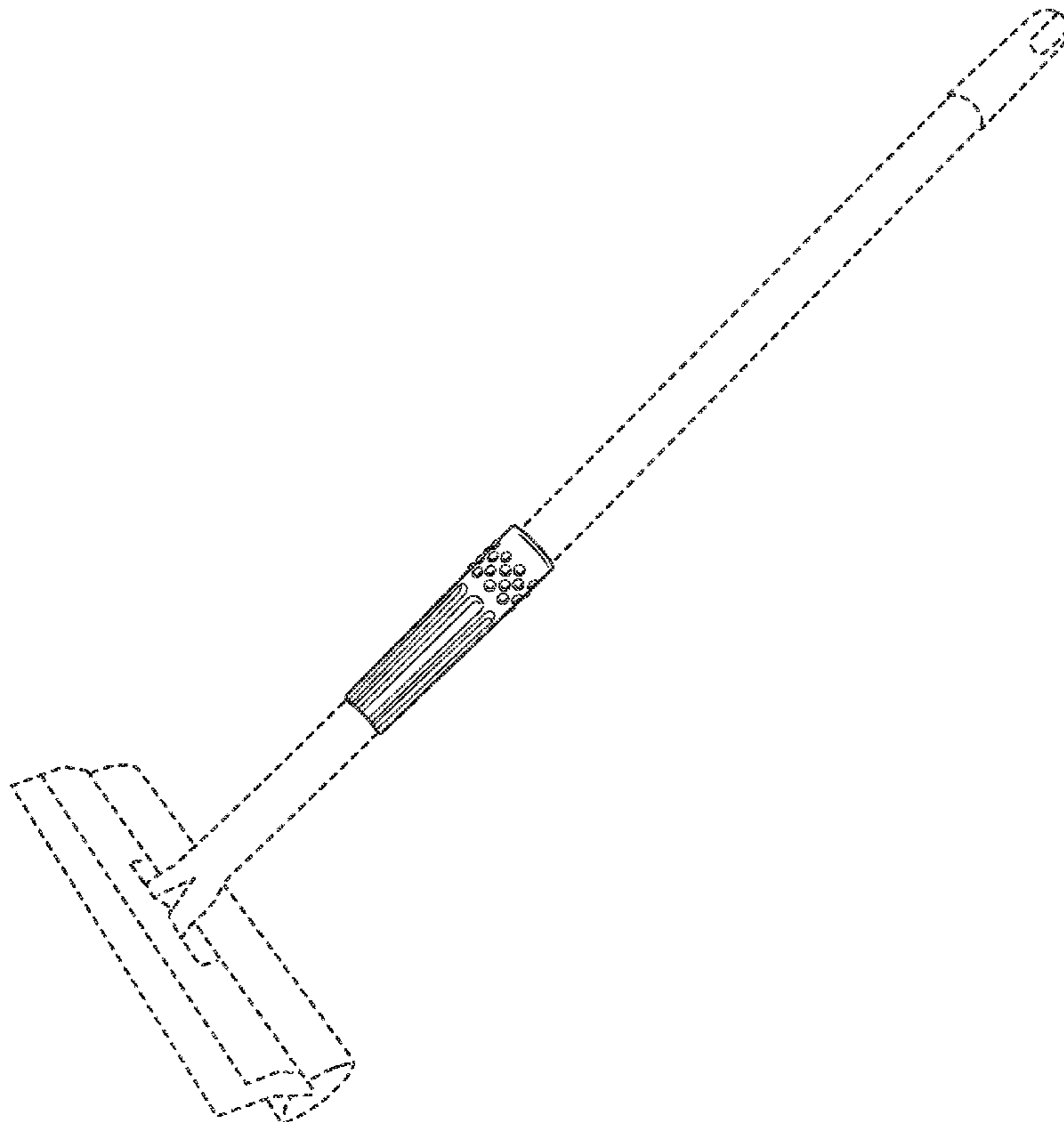
FIG. 5 is a right side view thereof;

FIG. 6 is a top view thereof; and,

FIG. 7 is a bottom view thereof.

The broken lines shown in the drawings are for illustrative purposes only and form no part of the claimed design.

1 Claim, 7 Drawing Sheets



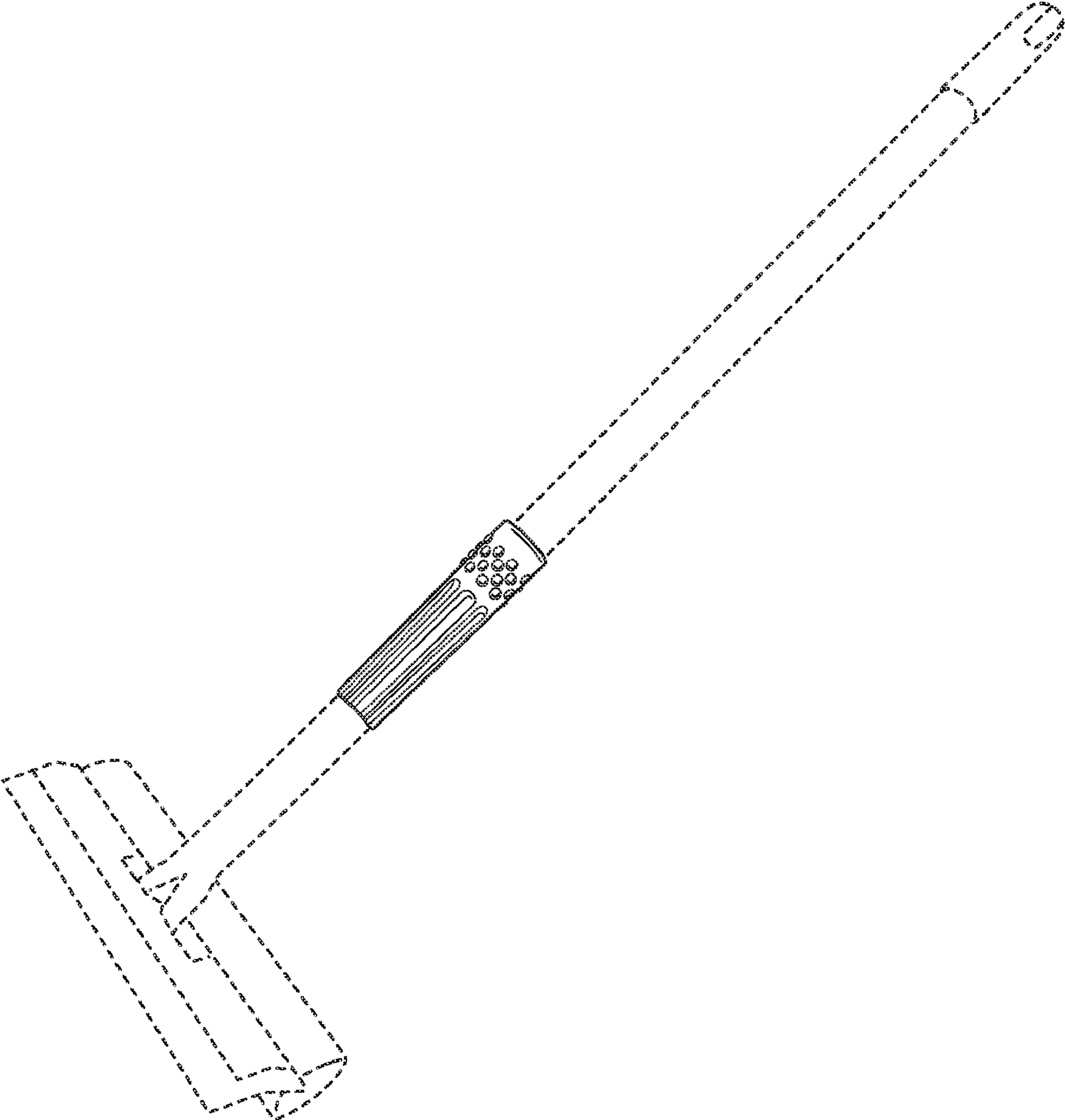


FIG. 1

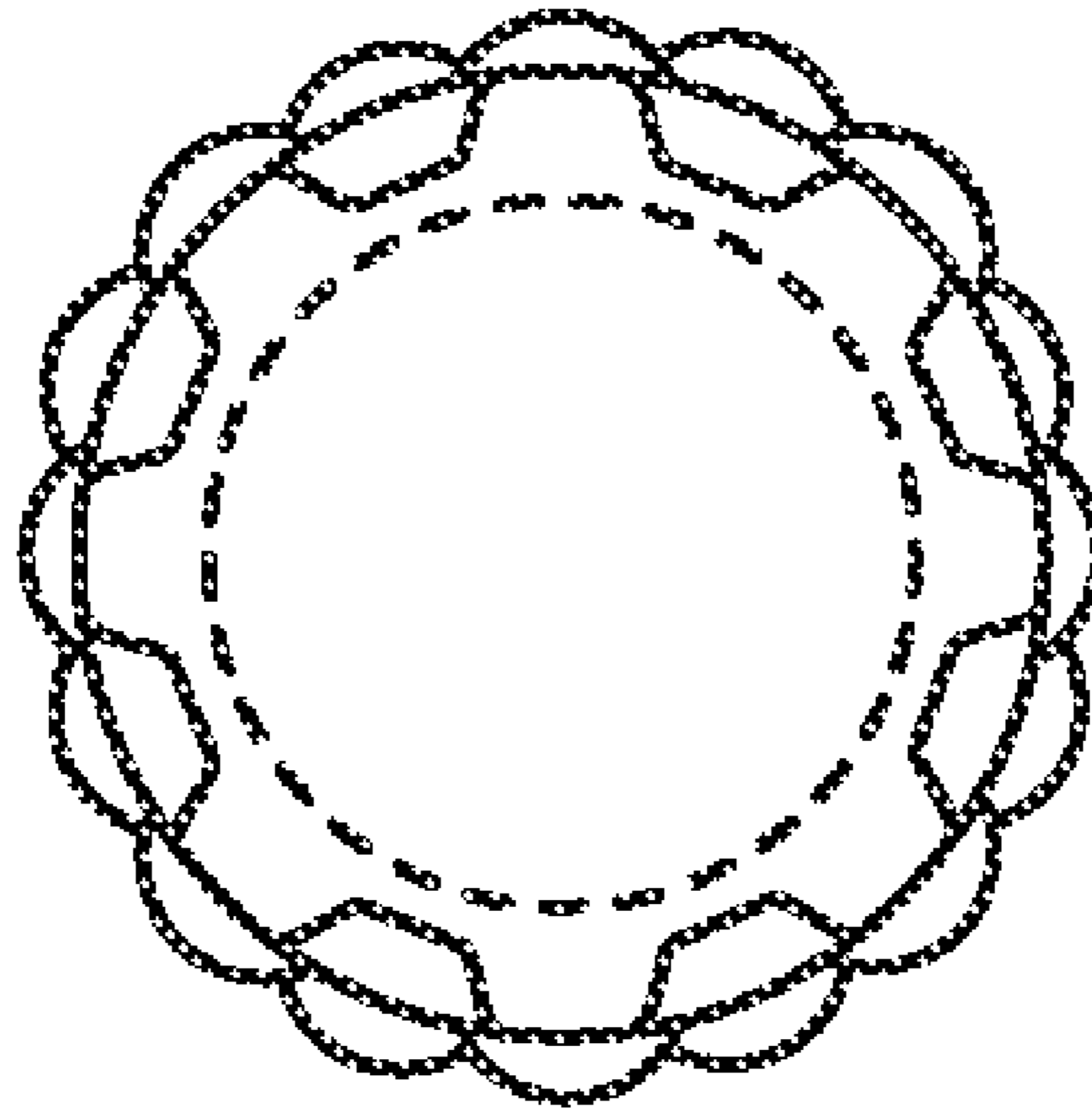


FIG. 2

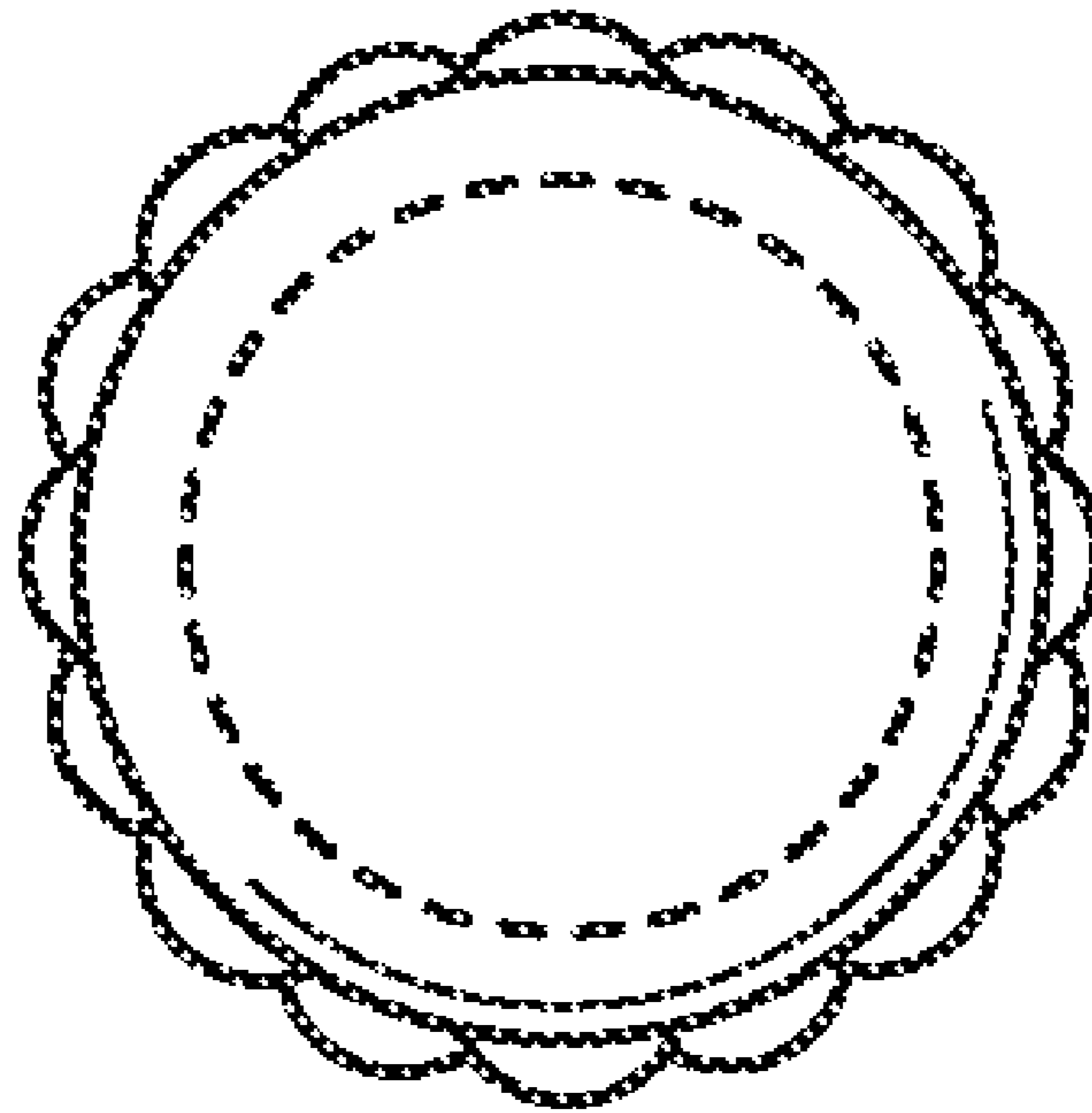


FIG. 3

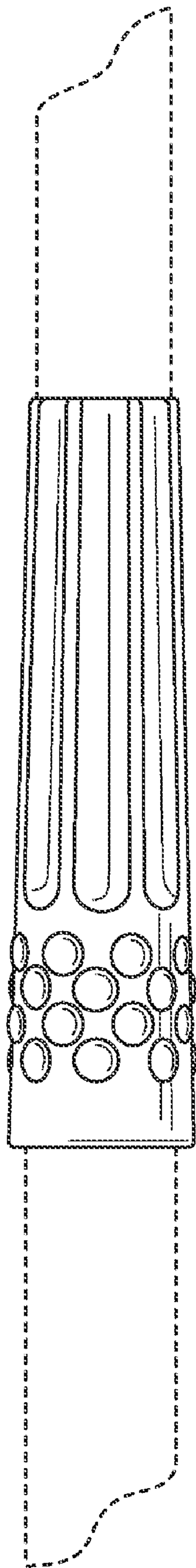


FIG. 4

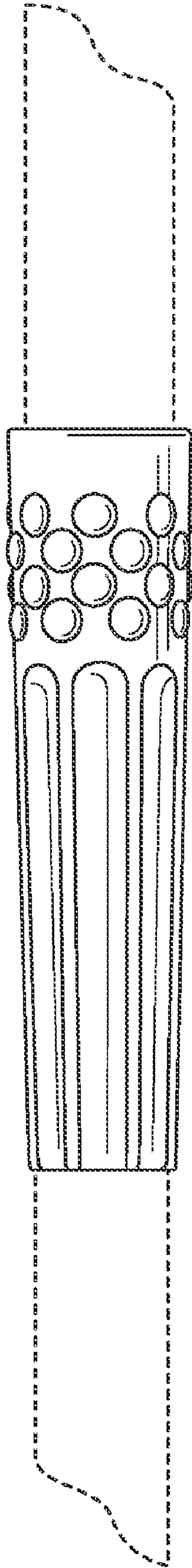


FIG. 5

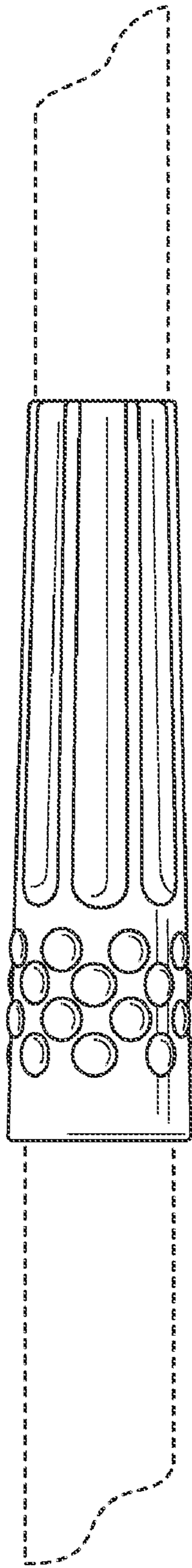


FIG. 6

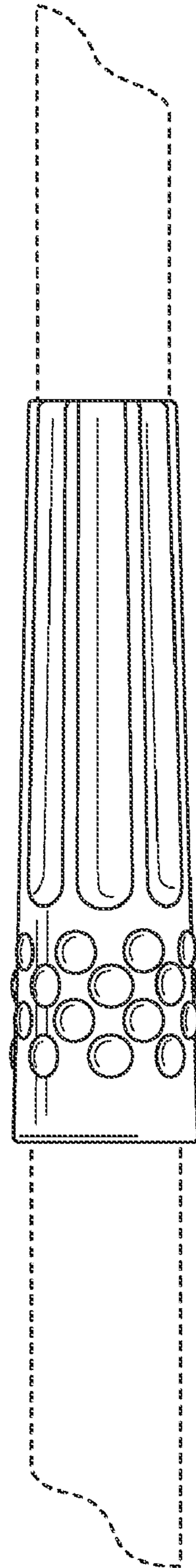


FIG. 7