



US00D586966S

(12) **United States Design Patent**
Nobile et al.

(10) **Patent No.:** **US D586,966 S**
(45) **Date of Patent:** **** Feb. 17, 2009**

(54) **MOP HEAD MANDREL**
(75) Inventors: **David P. Nobile**, Alta Loma, CA (US);
Jackson S. Burnett, III, Spartanburg,
SC (US)
(73) Assignee: **Contec, Inc.**, Spartanburg, SC (US)
(**) Term: **14 Years**
(21) Appl. No.: **29/301,373**
(22) Filed: **Feb. 26, 2008**

D423,157 S 4/2000 Hodges
6,058,552 A 5/2000 Hanan
6,148,465 A 11/2000 Hsieh et al.
6,305,046 B1 10/2001 Kingry et al.
D452,053 S * 12/2001 Denney D32/40
D457,994 S 5/2002 Gomez et al.
D461,028 S 7/2002 Ng
6,651,290 B2 11/2003 Kingry et al.
D490,952 S * 6/2004 Ajluni D32/50
D496,512 S * 9/2004 Treacy D32/51
D501,971 S * 2/2005 Treacy D32/51
D520,698 S * 5/2006 Libman et al. D32/50
2006/0248673 A1 11/2006 Piscane
2006/0248674 A1 11/2006 Piscane

(51) **LOC (9) Cl.** **04-01**
(52) **U.S. Cl.** **D32/50; D32/40**
(58) **Field of Classification Search** D32/40,
D32/50-52; 15/116.1-116.2, 119.1-119.2,
15/147.1-147.2

See application file for complete search history.

(56) **References Cited**

U.S. PATENT DOCUMENTS

82,705 A * 10/1868 Gibson 15/111
1,778,121 A * 10/1930 Paull 401/196
2,023,134 A * 12/1935 Gringer 15/262
2,640,214 A * 6/1953 Zimmerman 15/121
D211,197 S * 5/1968 Malmo D32/50
3,465,377 A * 9/1969 Thomas 15/147.1
3,795,933 A 3/1974 Seufert
3,945,736 A 3/1976 Rittenbaum et al.
4,216,562 A 8/1980 Strahs
4,852,210 A 8/1989 Krajicek
D304,630 S 11/1989 Jones et al.
5,419,015 A 5/1995 Garcia
D358,972 S * 6/1995 Libman D8/107
5,507,065 A 4/1996 McBride et al.
5,678,278 A 10/1997 McBride et al.
D386,851 S 11/1997 Levine
D403,820 S 1/1999 Chang

* cited by examiner

Primary Examiner—Pamela J Burgess

(74) *Attorney, Agent, or Firm*—Leydig, Voit & Mayer, Ltd.

(57) **CLAIM**

An ornamental design for a mop head mandrel, as shown and described.

DESCRIPTION

FIG. 1 is a perspective view of the mop head mandrel illustrating top, side and end surfaces;

FIG. 2 is a top plan view of the mop head mandrel;

FIG. 3 is a bottom plan view of the mop head mandrel;

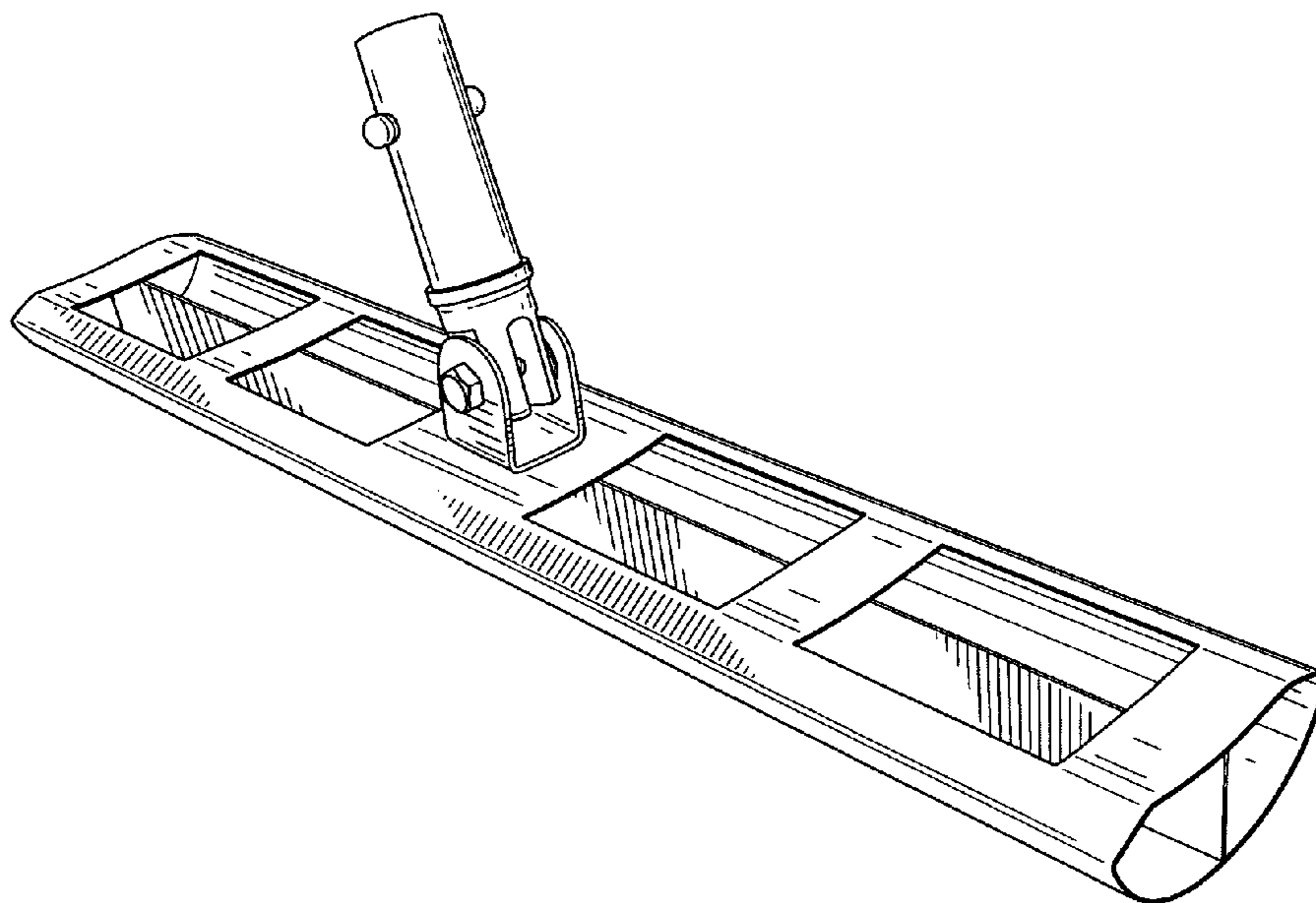
FIG. 4 is a view illustrating an end of the mop head mandrel;

FIG. 5 is a view illustrating an end of the mop head mandrel opposing the end of FIG. 4;

FIG. 6 is a view illustrating a lateral surface of the mop head mandrel; and,

FIG. 7 is a view illustrating a lateral surface of the mop head mandrel opposing the lateral surface of FIG. 6.

1 Claim, 5 Drawing Sheets



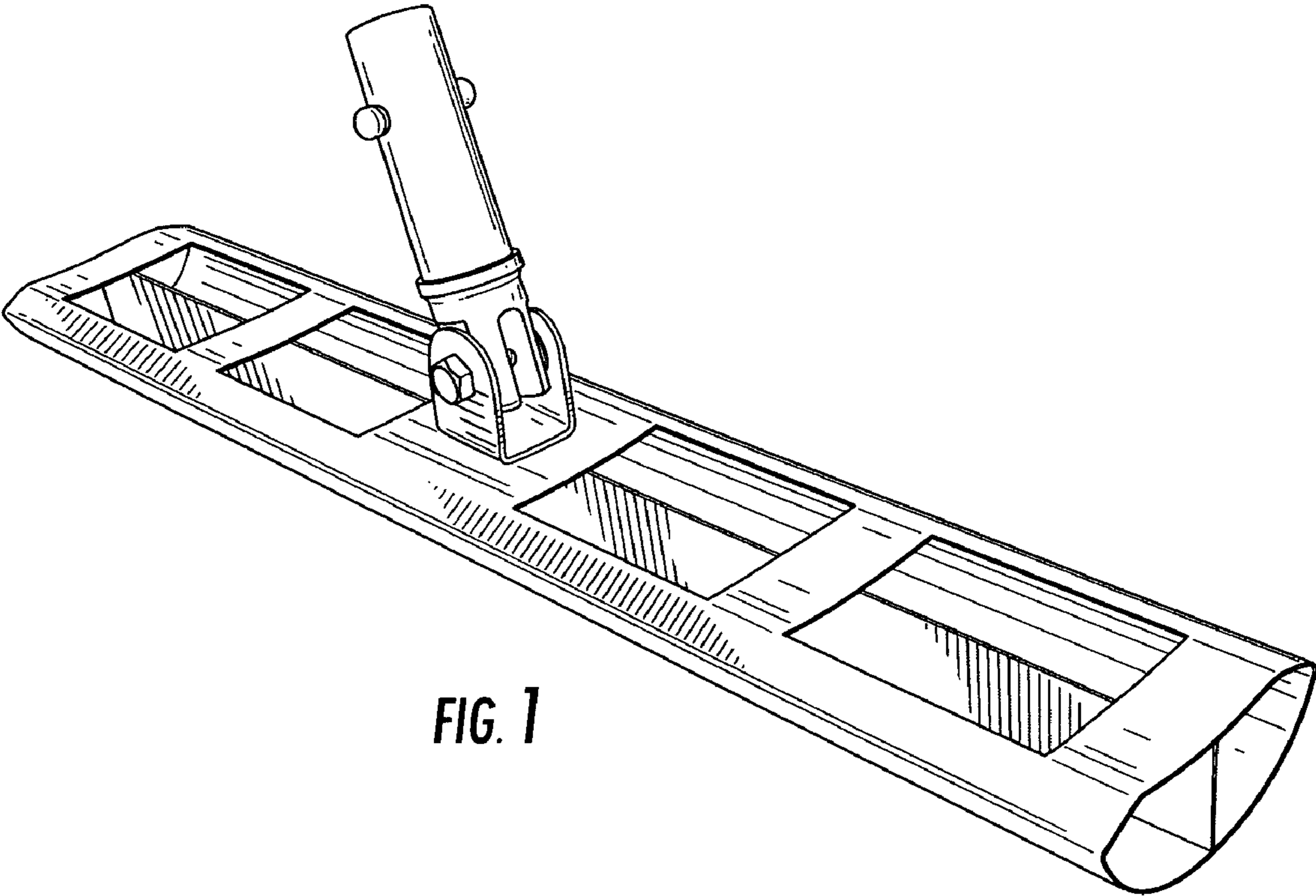


FIG. 1

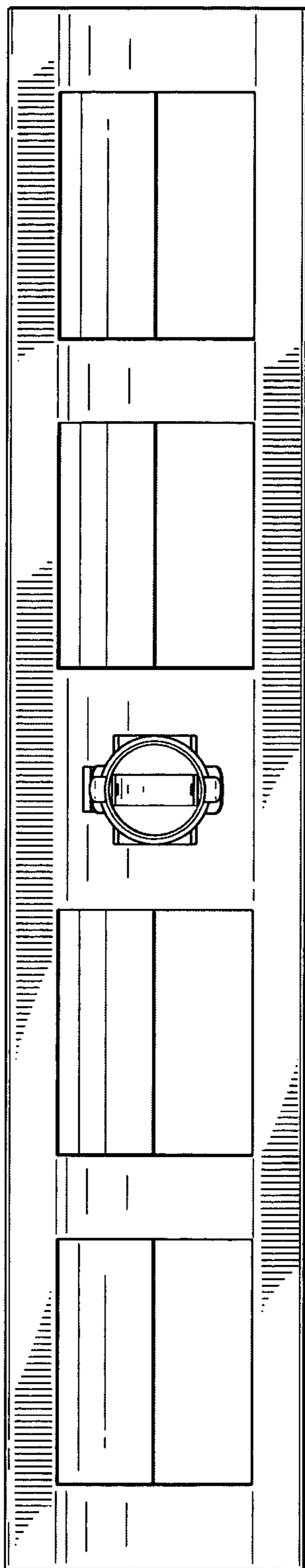


FIG. 2

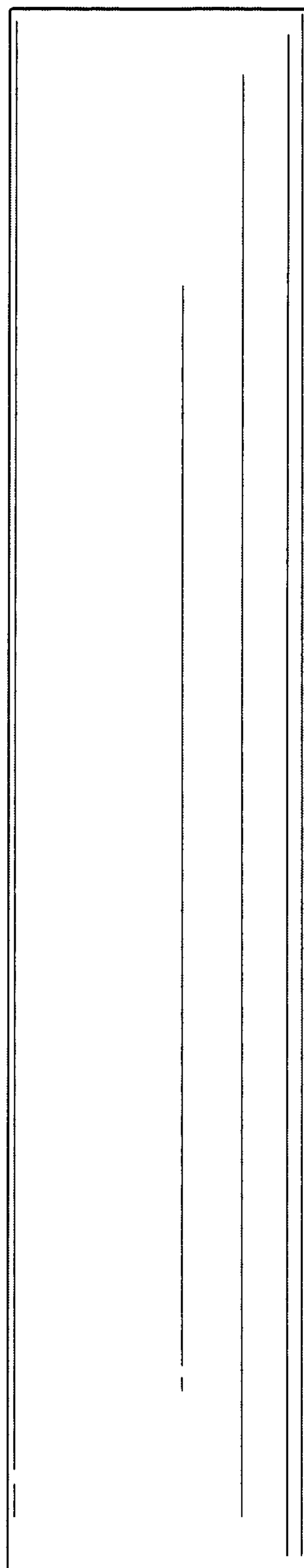


FIG. 3

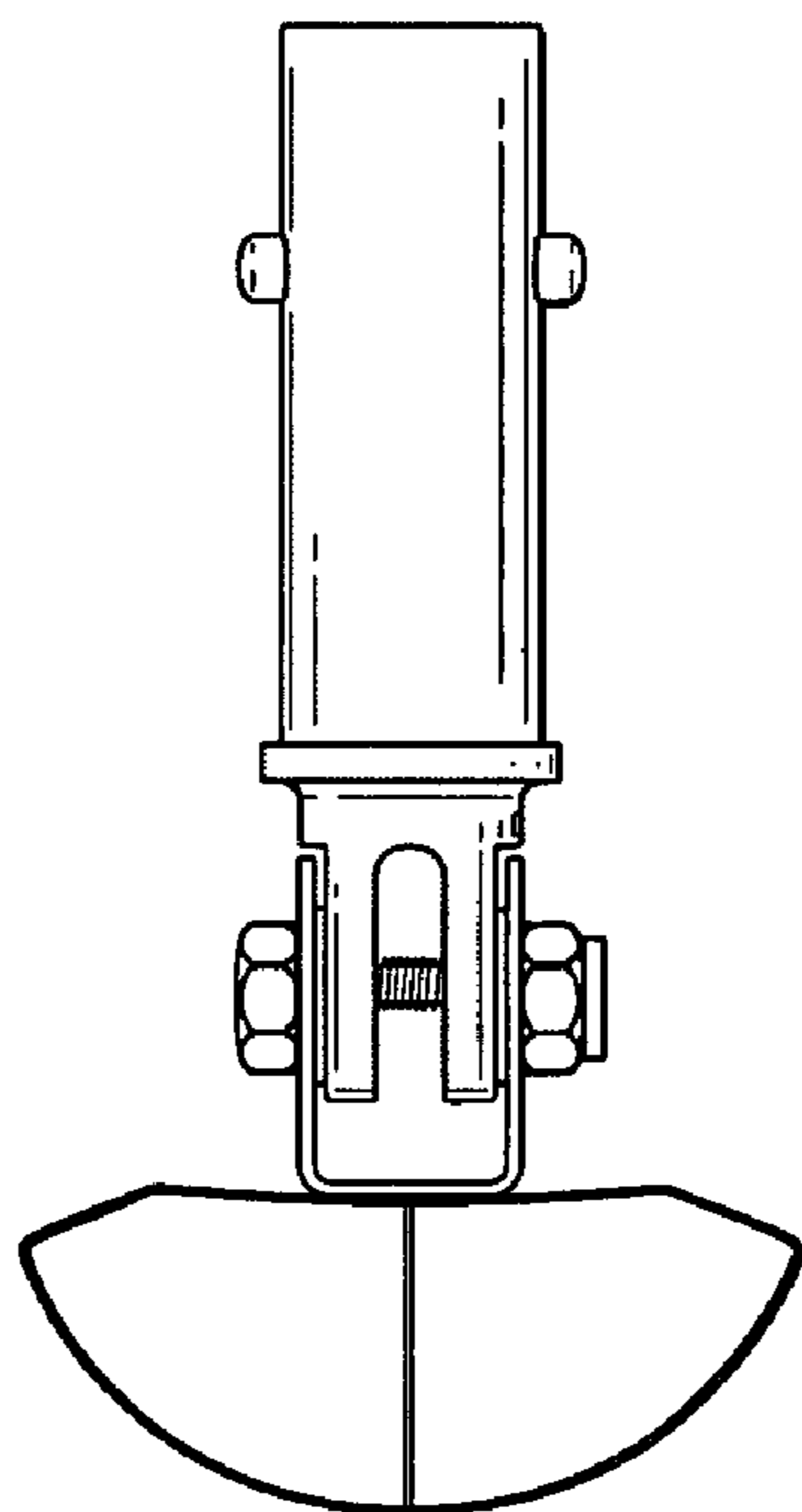


FIG. 4

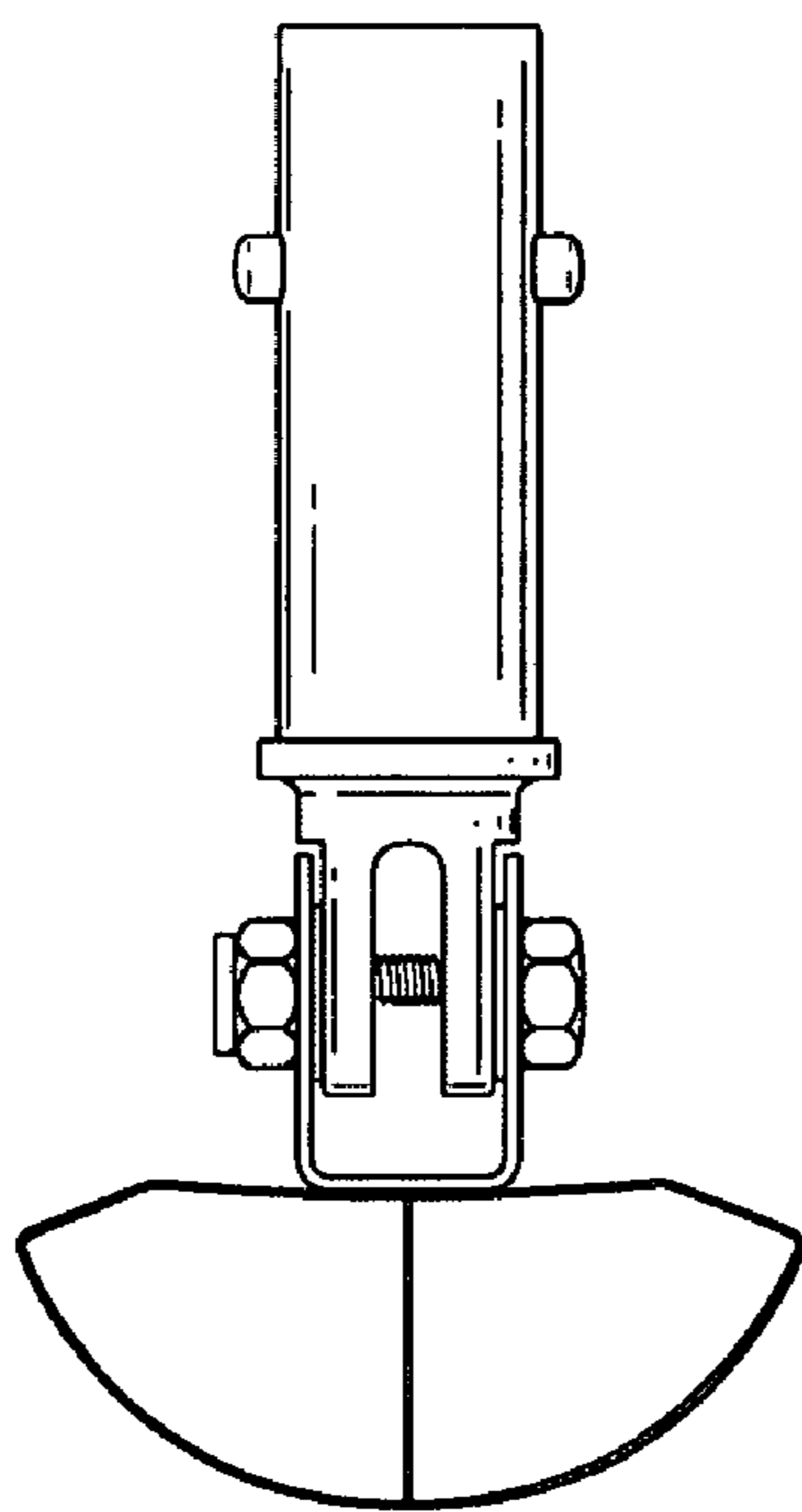


FIG. 5

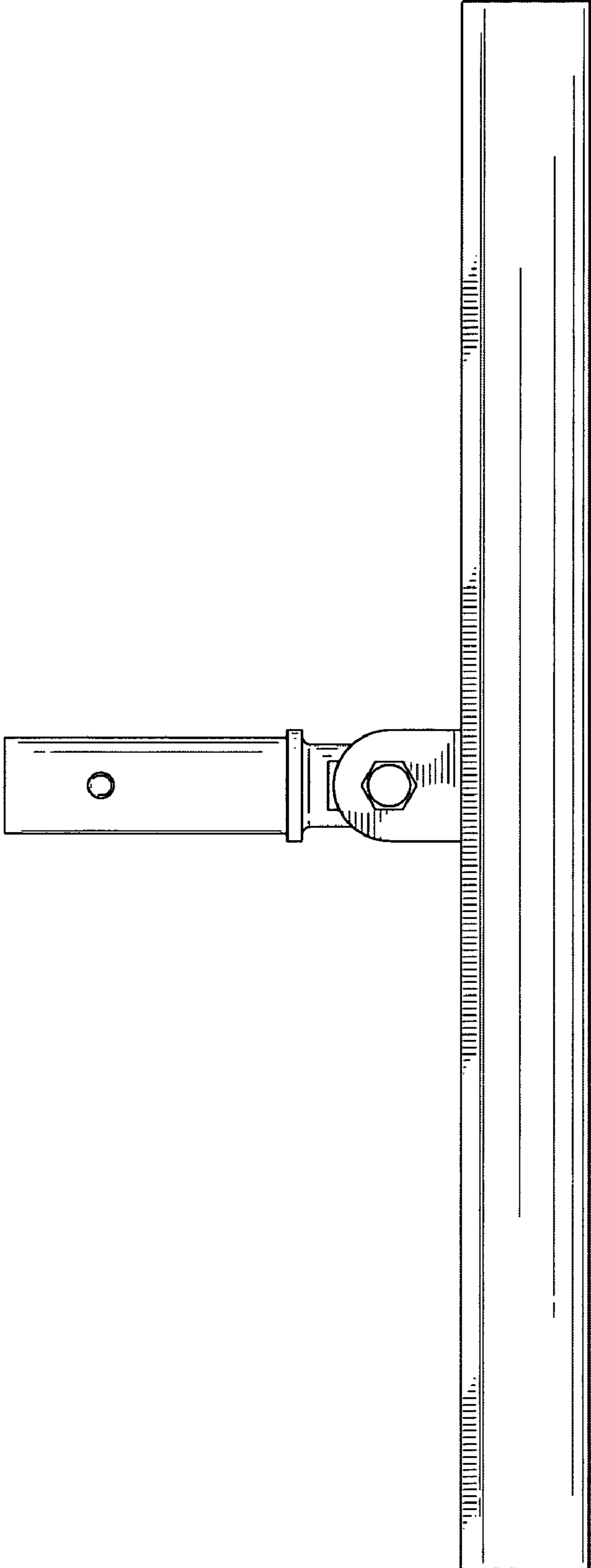


FIG. 6

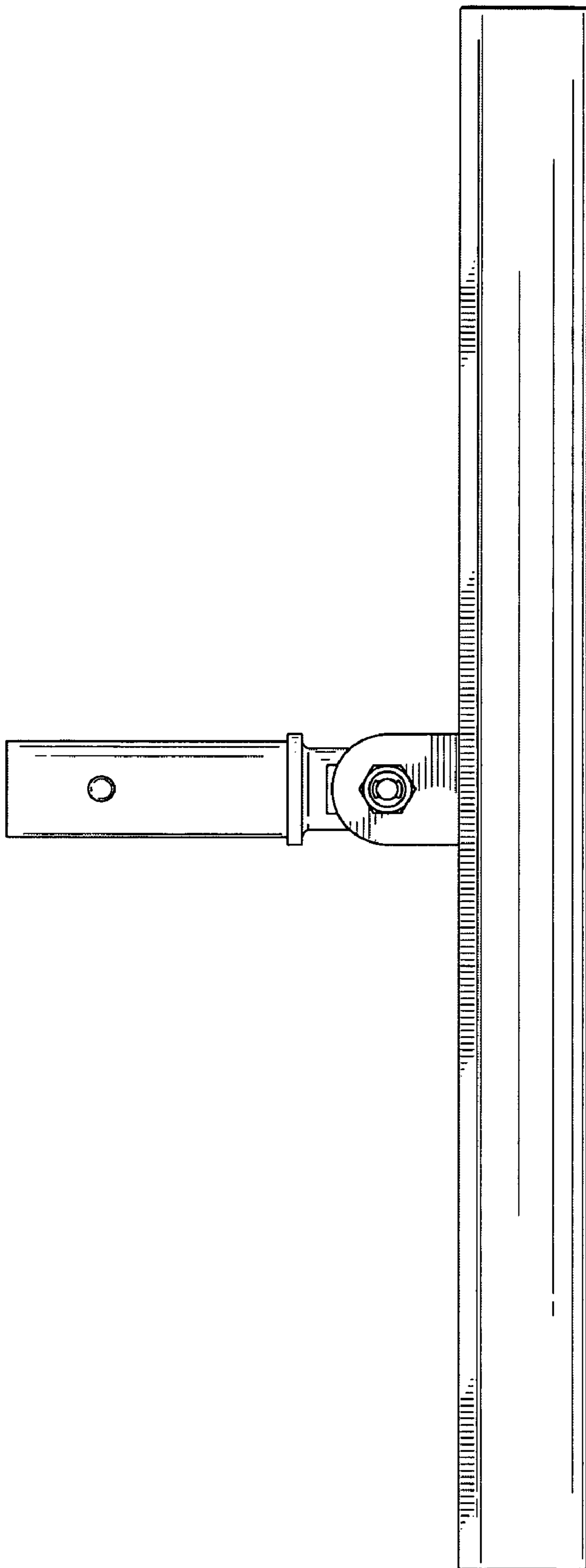


FIG. 7