



US00D586964S

(12) **United States Design Patent**  
**Lee**

(10) **Patent No.:** **US D586,964 S**  
(45) **Date of Patent:** **\*\* Feb. 17, 2009**

(54) **DUAL PURPOSE SUCTION HEAD DEVICE FOR SQUEEGEE ACTUATED CARPET CLEANING AND FOR ROTATABLE CONVERSION TO BRUSH FLOOR CLEANING**

D530,049 S \* 10/2006 Berti ..... D32/44  
D545,517 S \* 6/2007 Erken ..... D32/42

\* cited by examiner

*Primary Examiner*—Robin V Webster

(74) *Attorney, Agent, or Firm*—Willie Krawitz

(76) Inventor: **Kyu H. Lee**, 1633 W. 134<sup>th</sup> St., Gardena, CA (US) 90249-2013

(57) **CLAIM**

(\*\*) Term: **14 Years**

The ornamental design for a dual purpose suction head device for squeegee actuated carpet cleaning and for rotatable conversion to brush floor cleaning, as shown and described.

(21) Appl. No.: **29/292,260**

(22) Filed: **Oct. 4, 2007**

**DESCRIPTION**

(51) **LOC (9) Cl.** ..... **04-01**

FIG. 1 is a front view of a dual purpose suction head device for squeegee actuated carpet cleaning, and for rotatable conversion to brush floor cleaning;

(52) **U.S. Cl.** ..... **D32/42; D32/50**

FIG. 2 is a top view thereof;

(58) **Field of Classification Search** ..... D32/40–46, D32/49, 50, 35; 15/121, 245, 143.1, 236.01  
See application file for complete search history.

FIG. 3 is a rear view thereof;

FIG. 4 is a bottom view thereof;

(56) **References Cited**

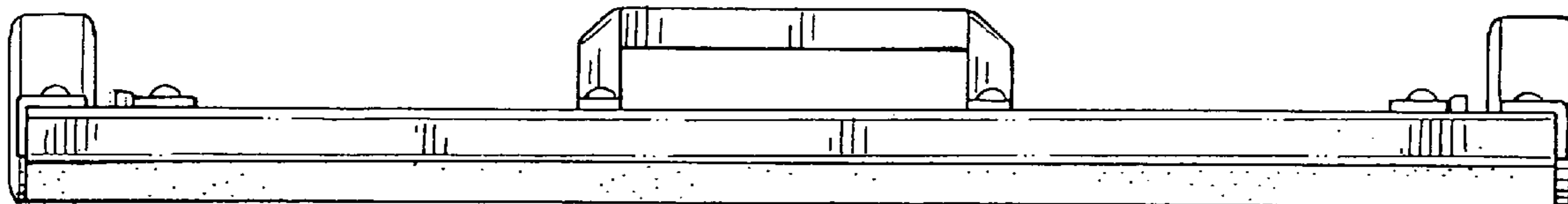
**U.S. PATENT DOCUMENTS**

FIG. 5 is a right side view, the left side view being the mirror image thereof; and,

FIG. 6 is an upper perspective view thereof.

- D306,506 S \* 3/1990 Houser ..... D32/33
- 4,908,901 A \* 3/1990 Torres ..... 15/119.1
- 6,065,178 A \* 5/2000 Hsieh ..... 15/244.2
- 6,243,911 B1 \* 6/2001 Varner ..... 15/245

**1 Claim, 3 Drawing Sheets**



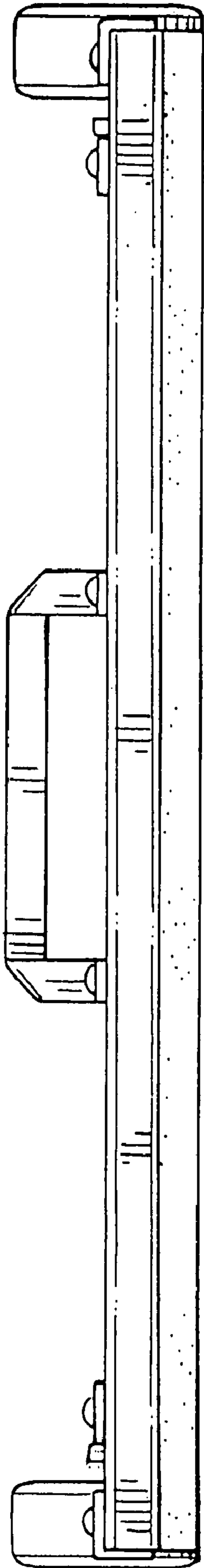


FIG. 1

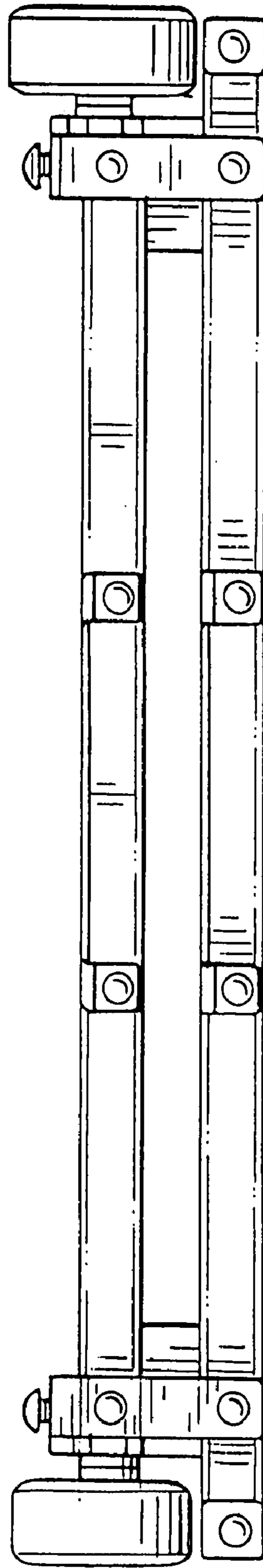


FIG. 2

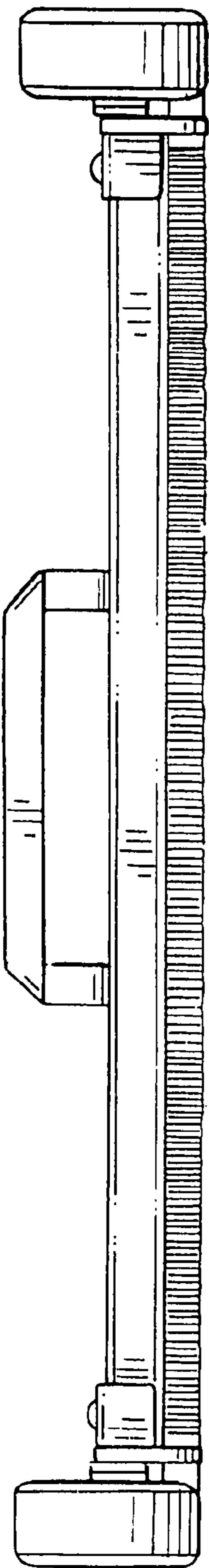


FIG. 3

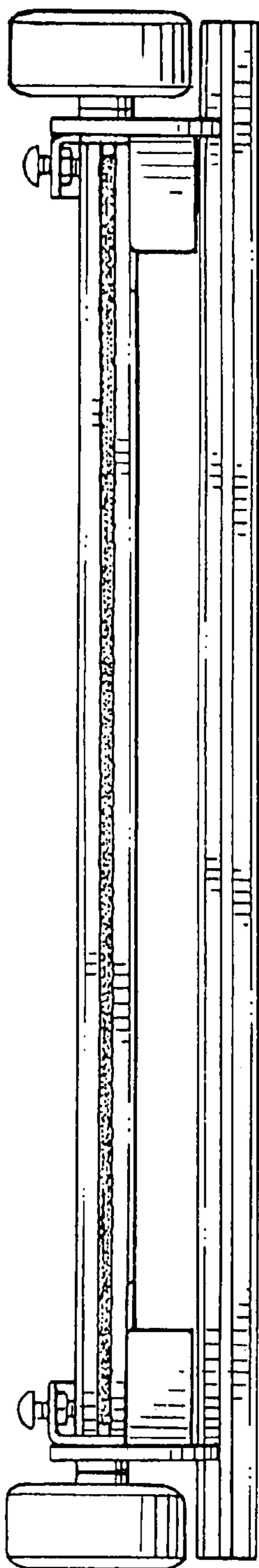


FIG. 4

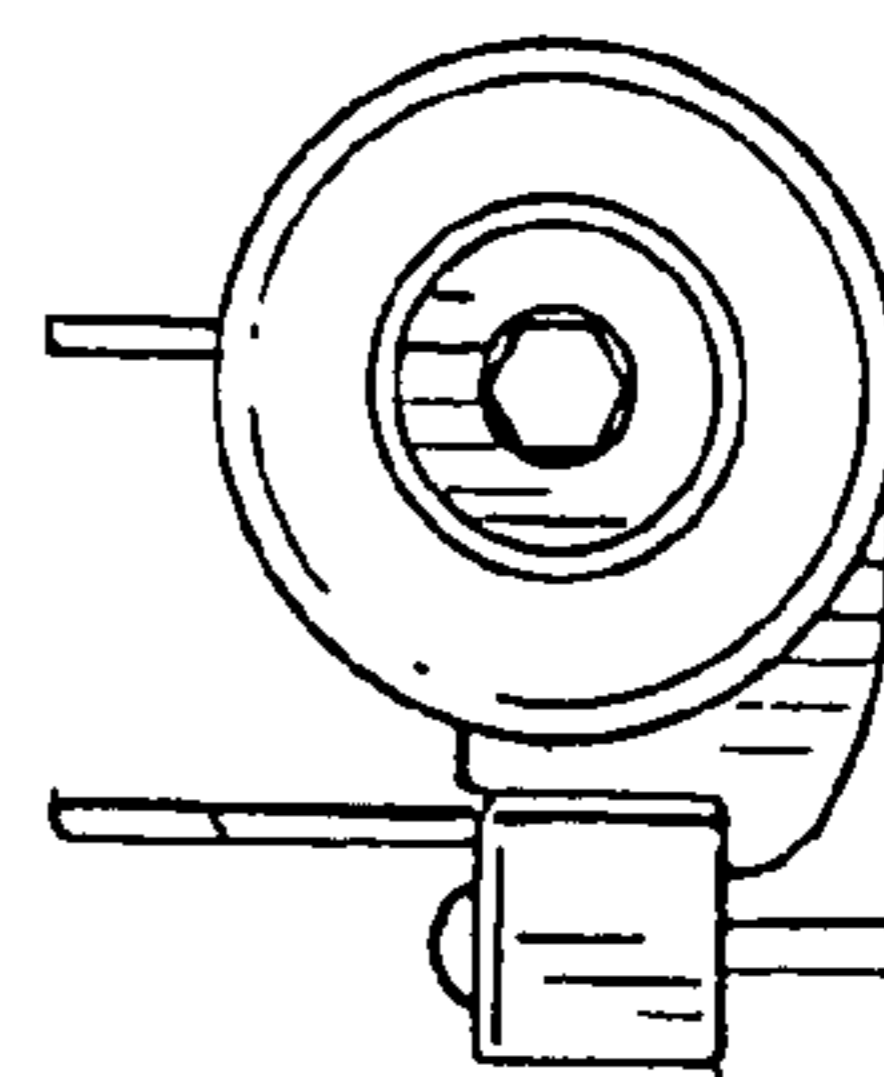


FIG. 5

