



US00D586961S

(12) **United States Design Patent**
Libman et al.

(10) **Patent No.:** **US D586,961 S**
(45) **Date of Patent:** **** Feb. 17, 2009**

(54) **PORTION OF A WIPER**

(75) Inventors: **Robert J. Libman**, Arcola, IL (US);
Enzo Berti, Pianiga (IT)

(73) Assignee: **The Libman Company**, Arcola, IL (US)

(**) Term: **14 Years**

(21) Appl. No.: **29/298,461**

(22) Filed: **Dec. 5, 2007**

(51) **LOC (9) Cl.** **04-01**

(52) **U.S. Cl.** **D32/40**

(58) **Field of Classification Search** D32/40,
D32/41, 42, 43, 46, 49, 353; 15/121, 245,
15/245.1, 143.1, 236.01

See application file for complete search history.

(56) **References Cited**

U.S. PATENT DOCUMENTS

D313,295 S *	12/1990	Maertens	D32/42
D377,550 S *	1/1997	Shepherd	D32/42
5,666,685 A *	9/1997	von Grolman et al.	15/121
6,141,814 A *	11/2000	Renken	15/121
D554,817 S *	11/2007	Talesfore et al.	D32/41

* cited by examiner

Primary Examiner—Robin V Webster

(74) *Attorney, Agent, or Firm*—Banner & Witcoff, Ltd.

(57) **CLAIM**

The ornamental design for a portion of a wiper, as shown and described.

DESCRIPTION

FIG. 1 is a front right perspective view of a portion of a wiper showing our new design;

FIG. 2 is a front view thereof;

FIG. 3 is a rear view thereof;

FIG. 4 is a left side view thereof;

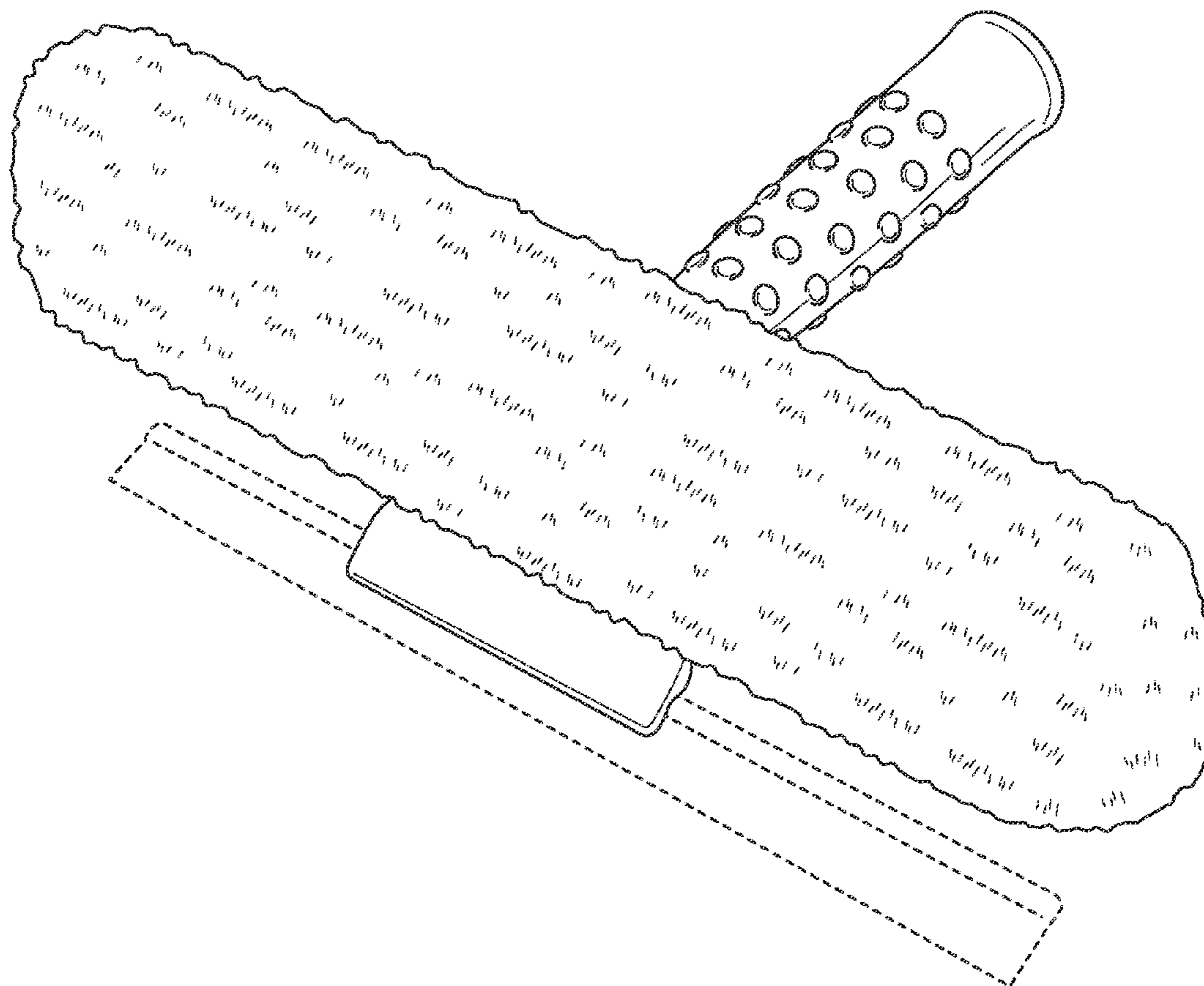
FIG. 5 is a right side view thereof;

FIG. 6 is a bottom view thereof; and,

FIG. 7 is a top view thereof.

The broken lines immediately adjacent to the shaded areas represent unclaimed boundaries of the claimed design. The remaining broken lines are for illustrative purposes only and form no part of the claimed design.

1 Claim, 7 Drawing Sheets



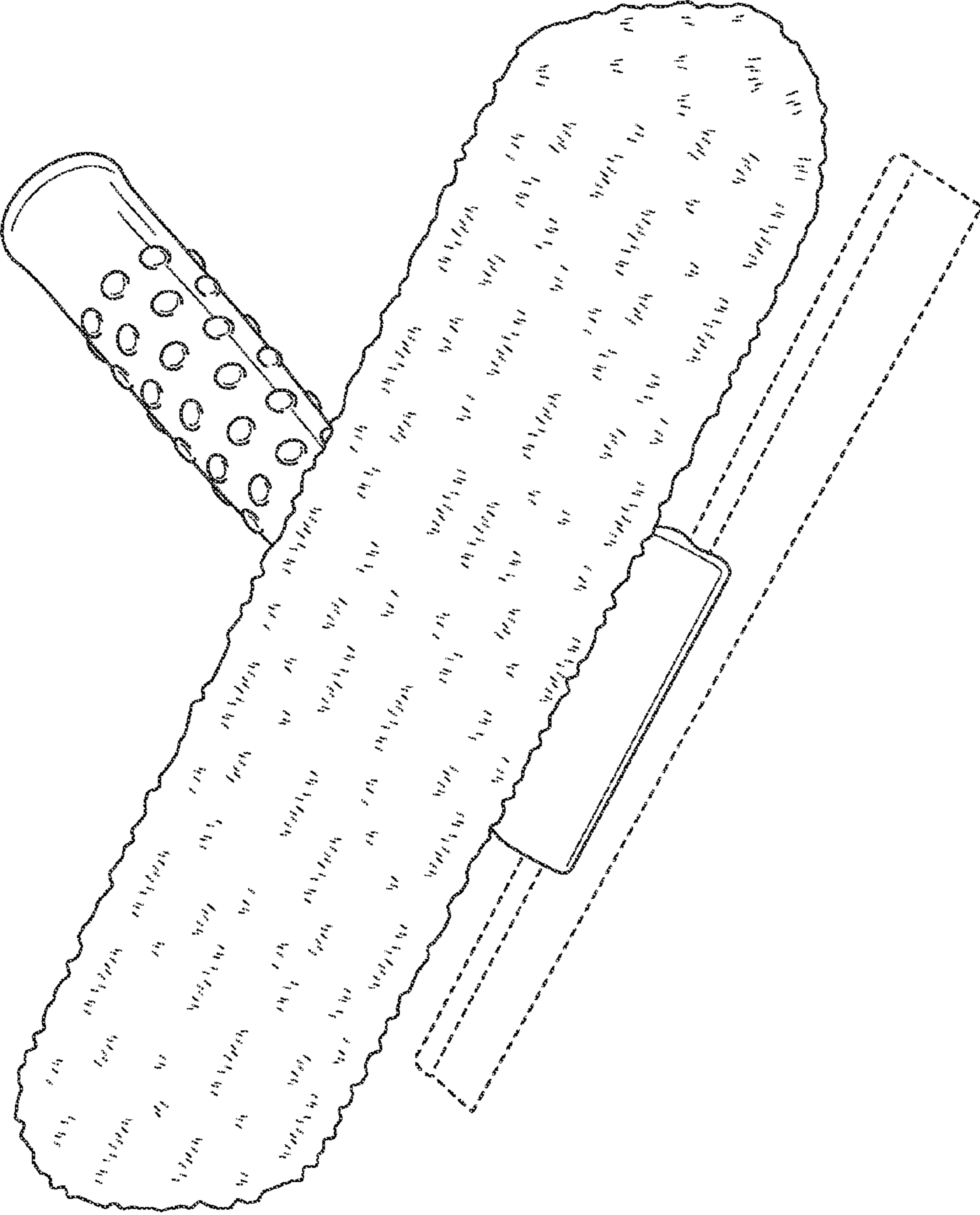


FIG. 1

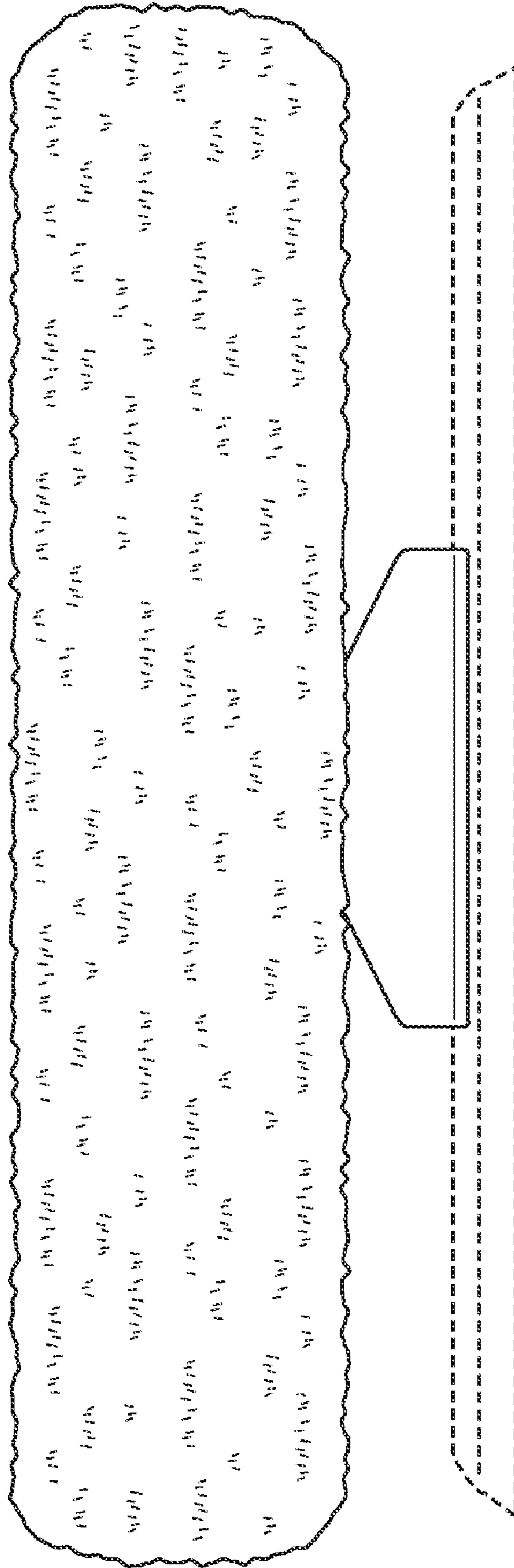


FIG. 2

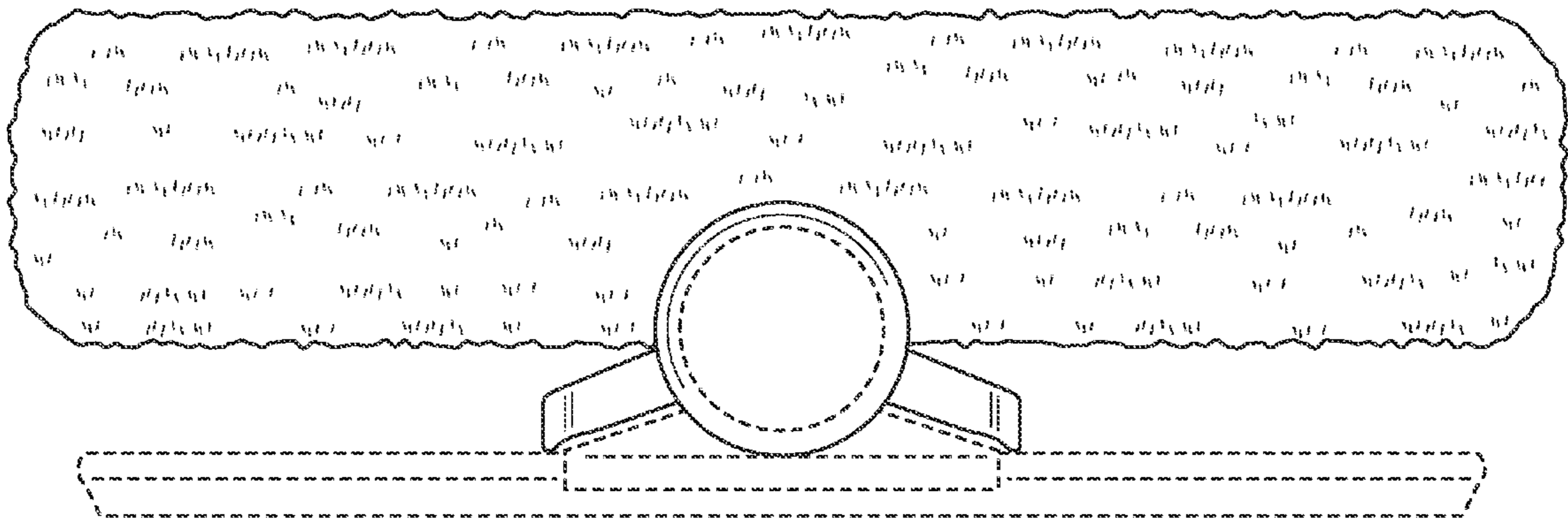


FIG. 3

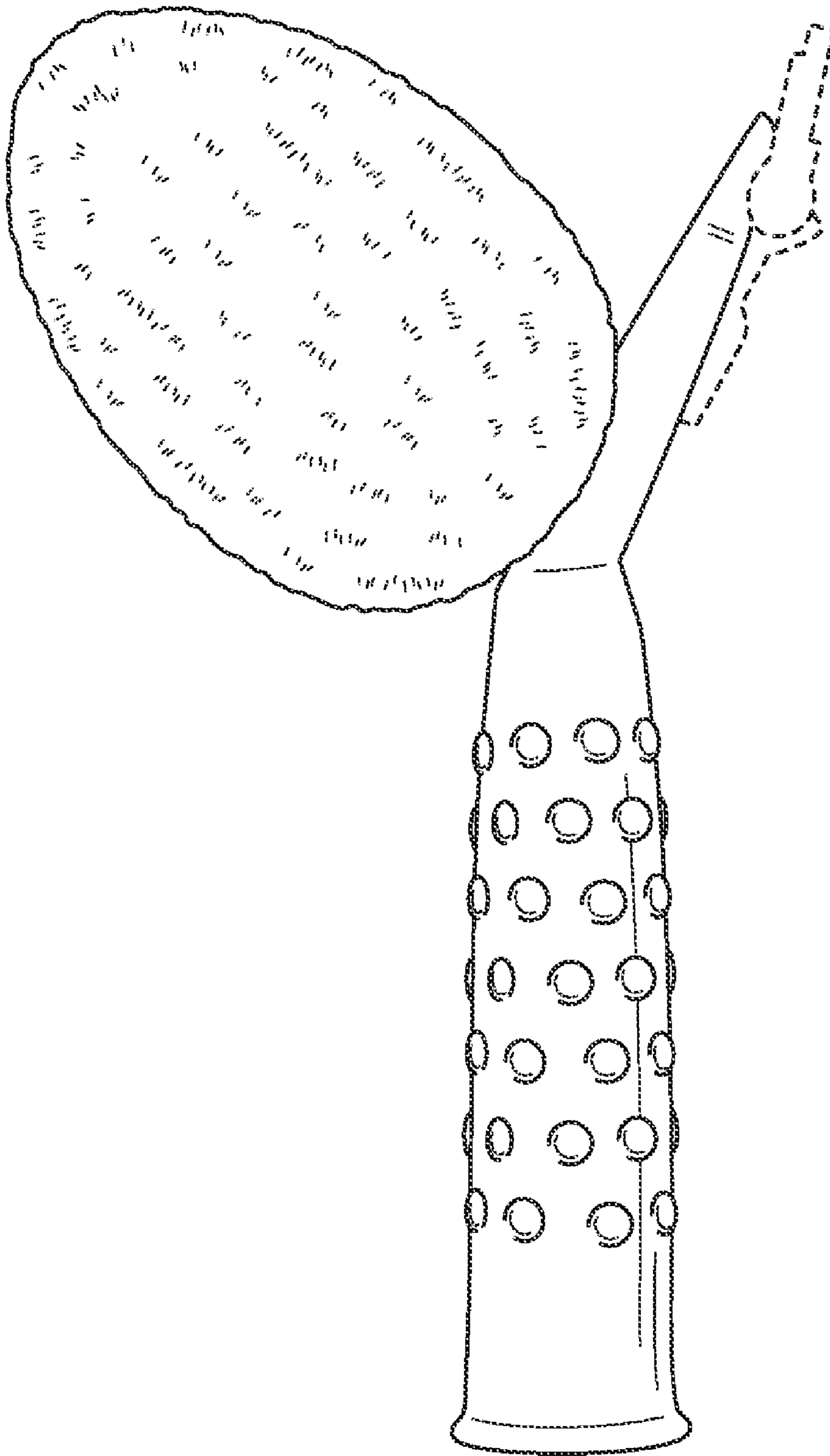


FIG. 4

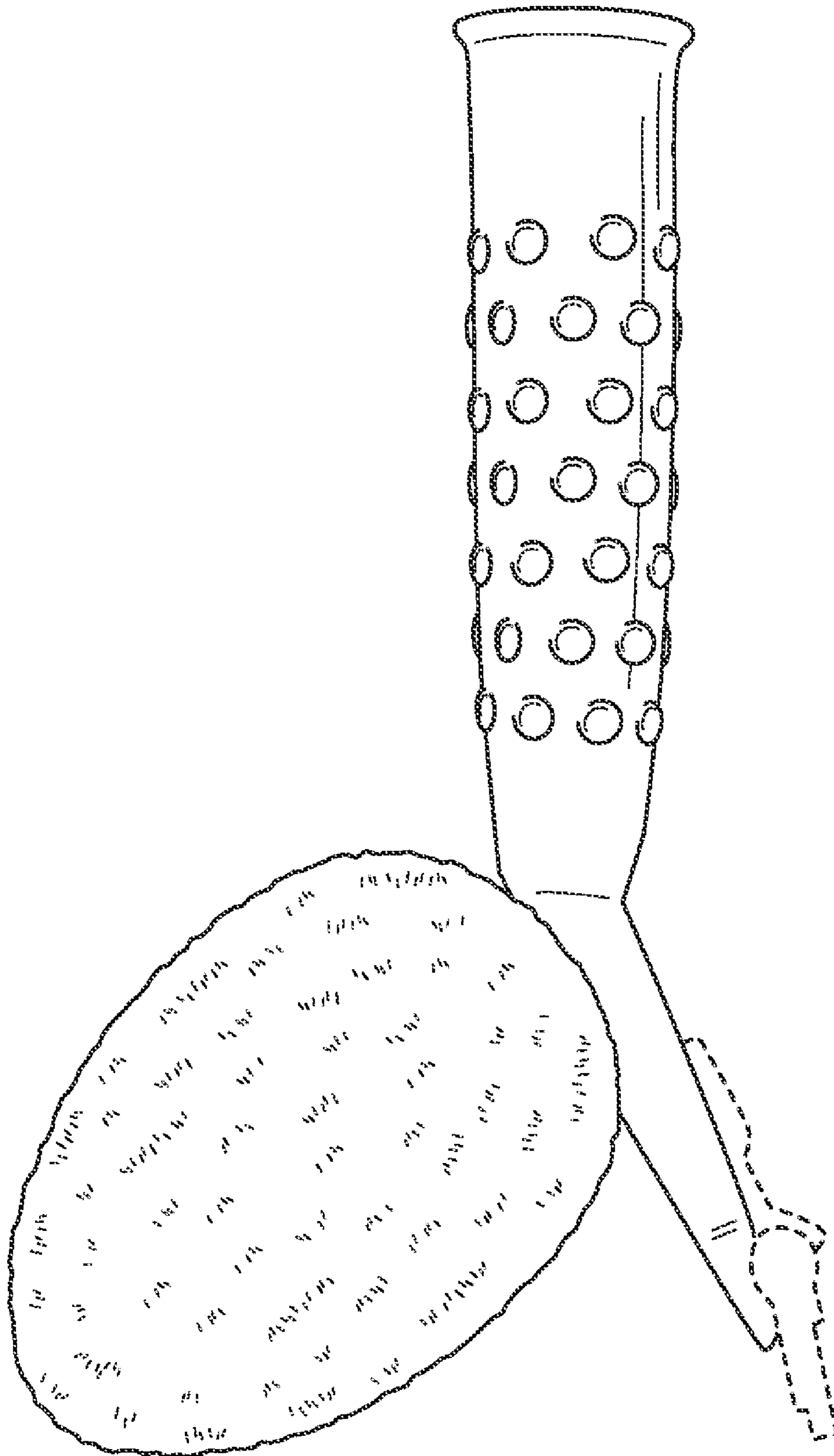


FIG. 5

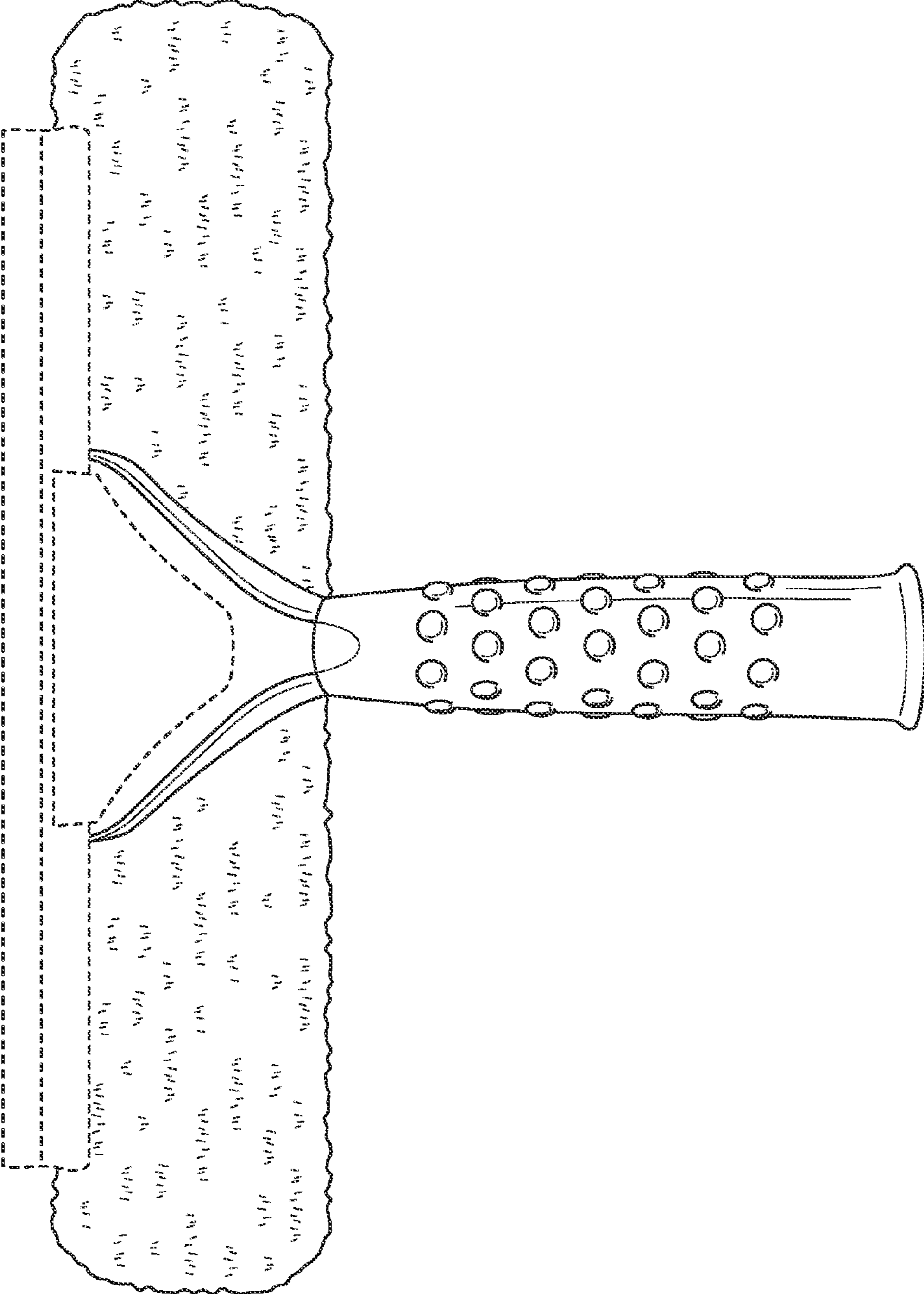


FIG. 6

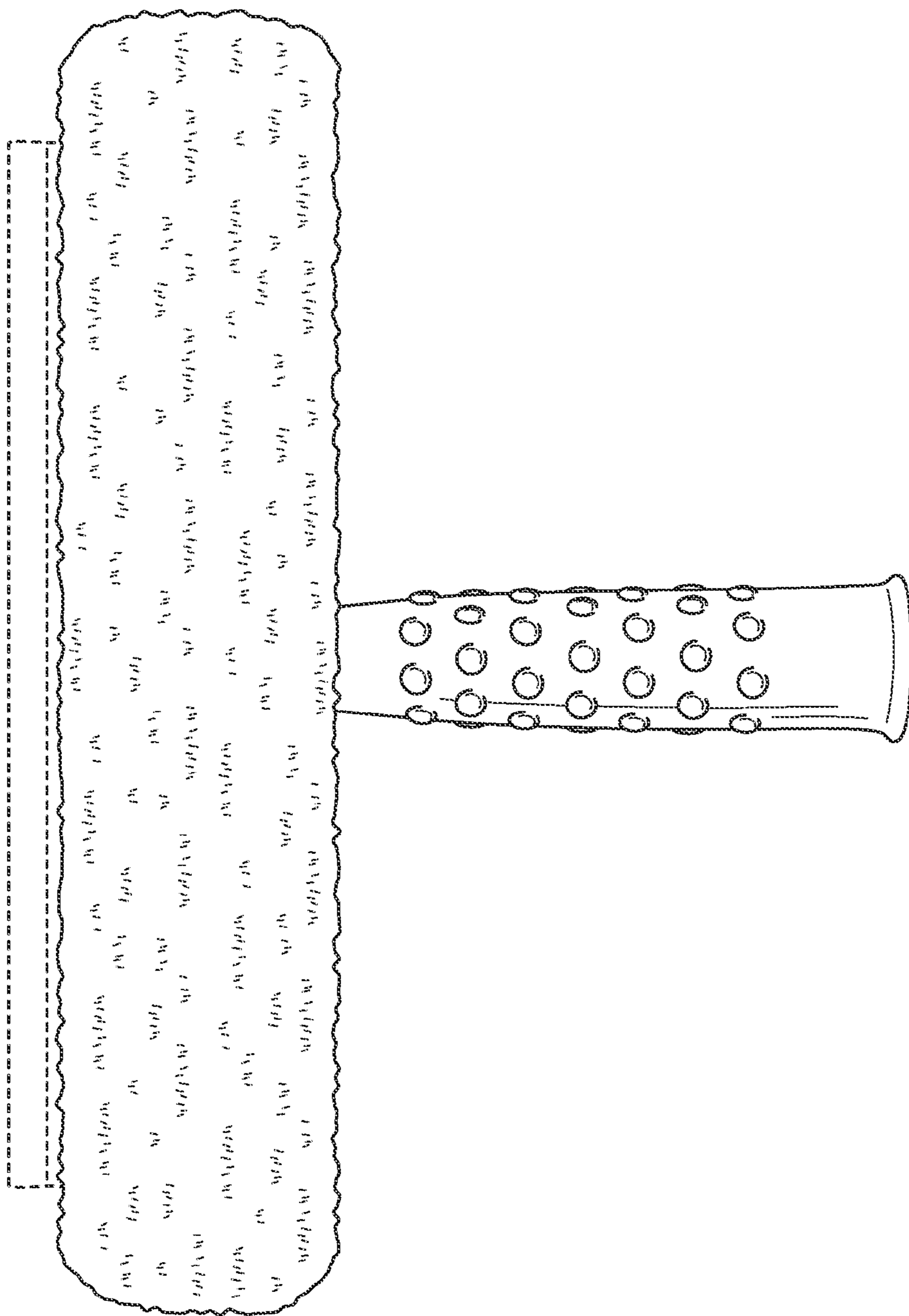


FIG. 7