



US00D586960S

(12) **United States Design Patent**
Rodriguez et al.

(10) **Patent No.:** **US D586,960 S**

(45) **Date of Patent:** **** Feb. 17, 2009**

(54) **APPLIANCE CONTROL PANEL**

(75) Inventors: **Wendeline Rodriguez**, Grand Haven,
MI (US); **Darryl C. Bodine**, St. Joseph,
MI (US)

(73) Assignee: **Whirlpool Corporation**, Benton Harbor,
MI (US)

(**) Term: **14 Years**

(21) Appl. No.: **29/246,043**

(22) Filed: **Jan. 6, 2006**

(51) **LOC (9) Cl.** **15-05**

(52) **U.S. Cl.** **D32/28**

(58) **Field of Classification Search** D32/1,
D32/5, 6, 8, 25, 28; 38/1 A; 312/31; 34/58,
34/87-88, 108-109, 130-132, 417, 499,
34/523-524, 534, 595-597, 600, 603; 68/3 R,
68/4, 5 R, 12.01, 12.08, 212, 139
See application file for complete search history.

(56) **References Cited**

U.S. PATENT DOCUMENTS

D47,282 S *	5/1915	Buermann	D30/140
D176,965 S *	2/1956	Mundt	D32/28
D182,005 S *	1/1958	Sundberg	D32/5
D205,959 S *	10/1966	Smith	D32/2
4,264,903 A	4/1981	Bigelow		
4,736,191 A	4/1988	Matzke et al.		
5,367,199 A	11/1994	Lefkowitz et al.		
5,594,222 A	1/1997	Caldwell		
6,310,611 B1	10/2001	Caldwell		
6,320,282 B1	11/2001	Caldwell		
D455,874 S	4/2002	Resuello et al.		

D480,520 S *	10/2003	Resuello et al.	D32/3
6,713,897 B2	3/2004	Caldwell		
D517,756 S *	3/2006	Ha et al.	D32/6
D521,197 S *	5/2006	Kim et al.	D32/8
D528,712 S *	9/2006	Ha et al.	D32/6
D529,242 S *	9/2006	Ha et al.	D32/6
2003/0075427 A1	4/2003	Caldwell		
2003/0076301 A1	4/2003	Tsuk et al.		
2003/0095096 A1	5/2003	Robbin et al.		
2004/0055446 A1	3/2004	Robbin et al.		
2004/0224638 A1	11/2004	Fadell et al.		
2004/0242269 A1	12/2004	Fadell		
2005/0078027 A1	4/2005	Philipp		

* cited by examiner

Primary Examiner—T. Chase Nelson

Assistant Examiner—Kathleen M Sims

(74) *Attorney, Agent, or Firm*—Tara M. Hartman; Michael D. Lafrenz

(57) **CLAIM**

The ornamental design for an appliance control panel, as shown and described.

DESCRIPTION

FIG. 1 is a right front perspective view of an appliance control panel showing our new design;

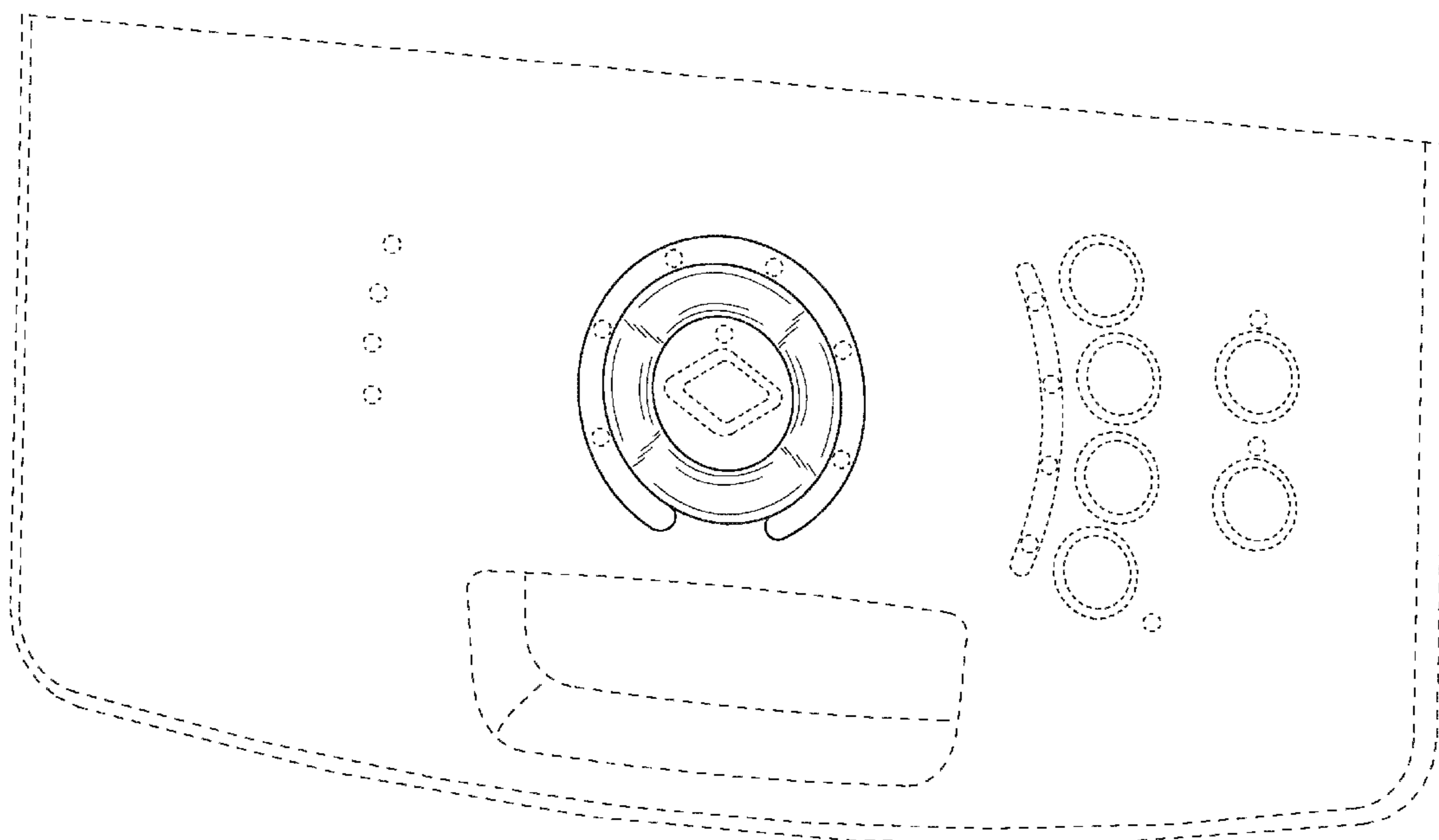
FIG. 2. is an enlarged right front perspective view thereof;

FIG. 3 is a front elevational view thereof; and,

FIG. 4. is an enlarged front elevational view thereof.

The broken line showing of controls, a control pane, and a laundry appliance in FIGS. 1-4 is included for the purpose of illustrating portions of the appliance control panel and forms no part of the claimed design.

1 Claim, 4 Drawing Sheets



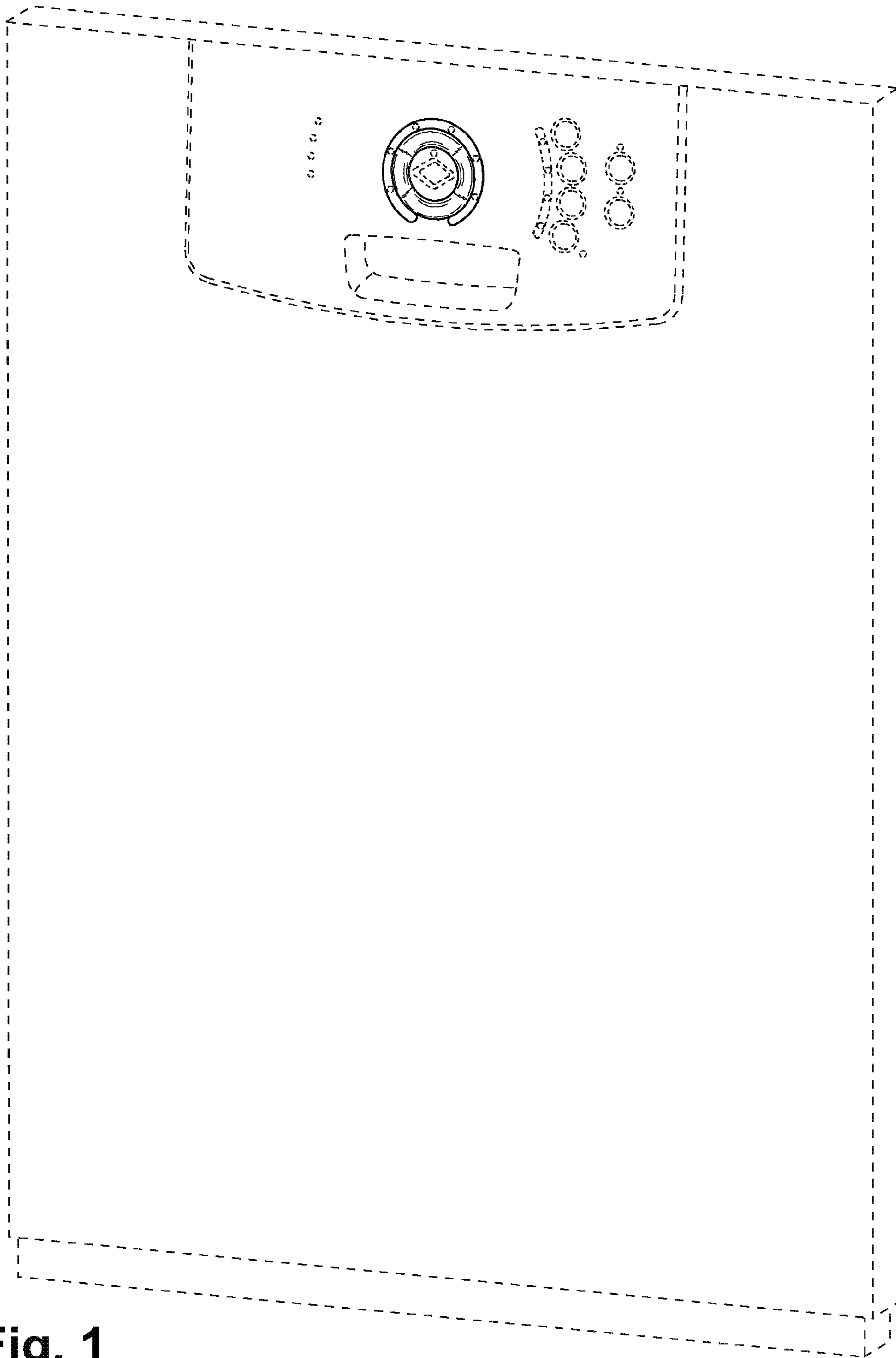


Fig. 1

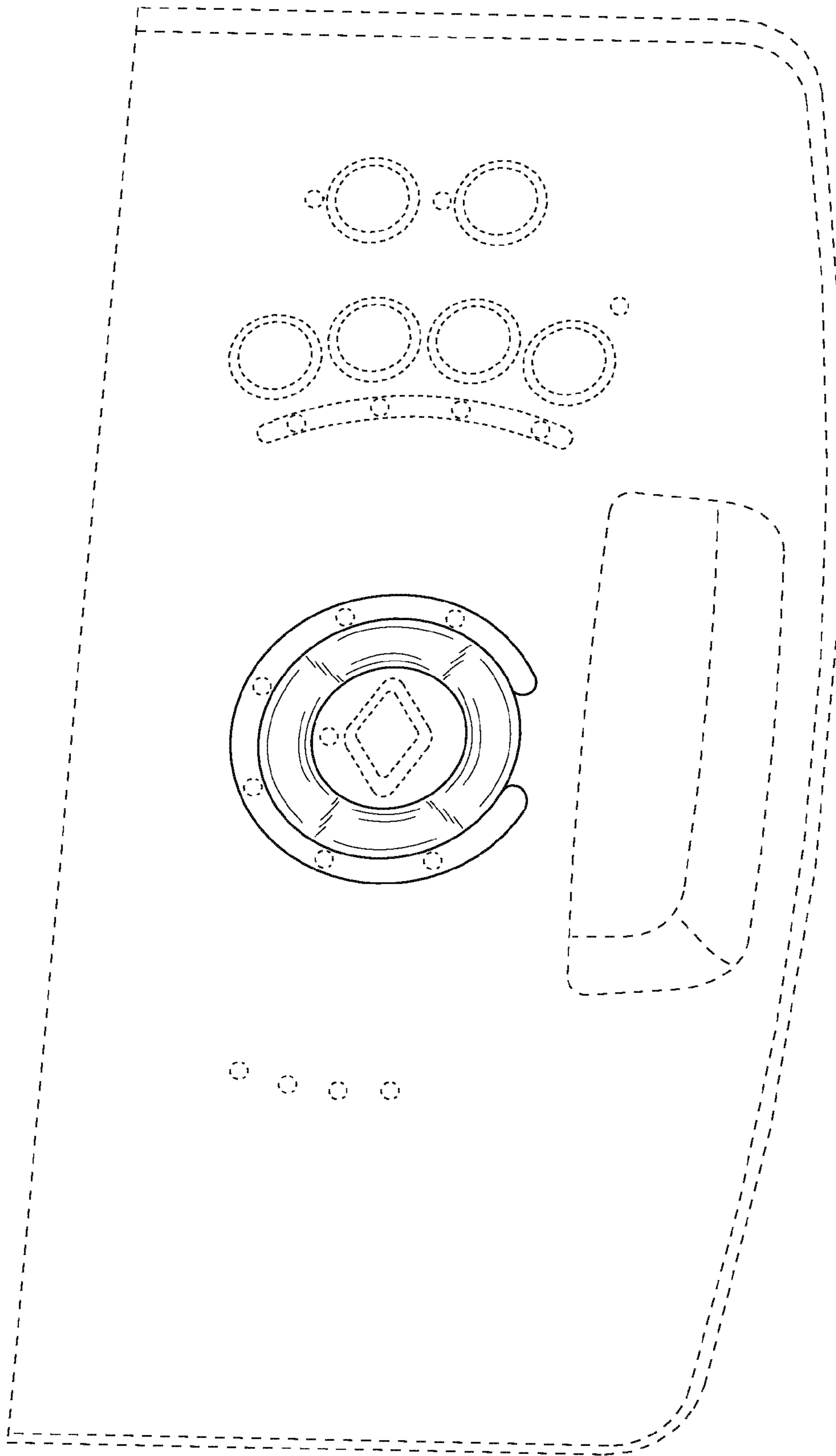


Fig. 2

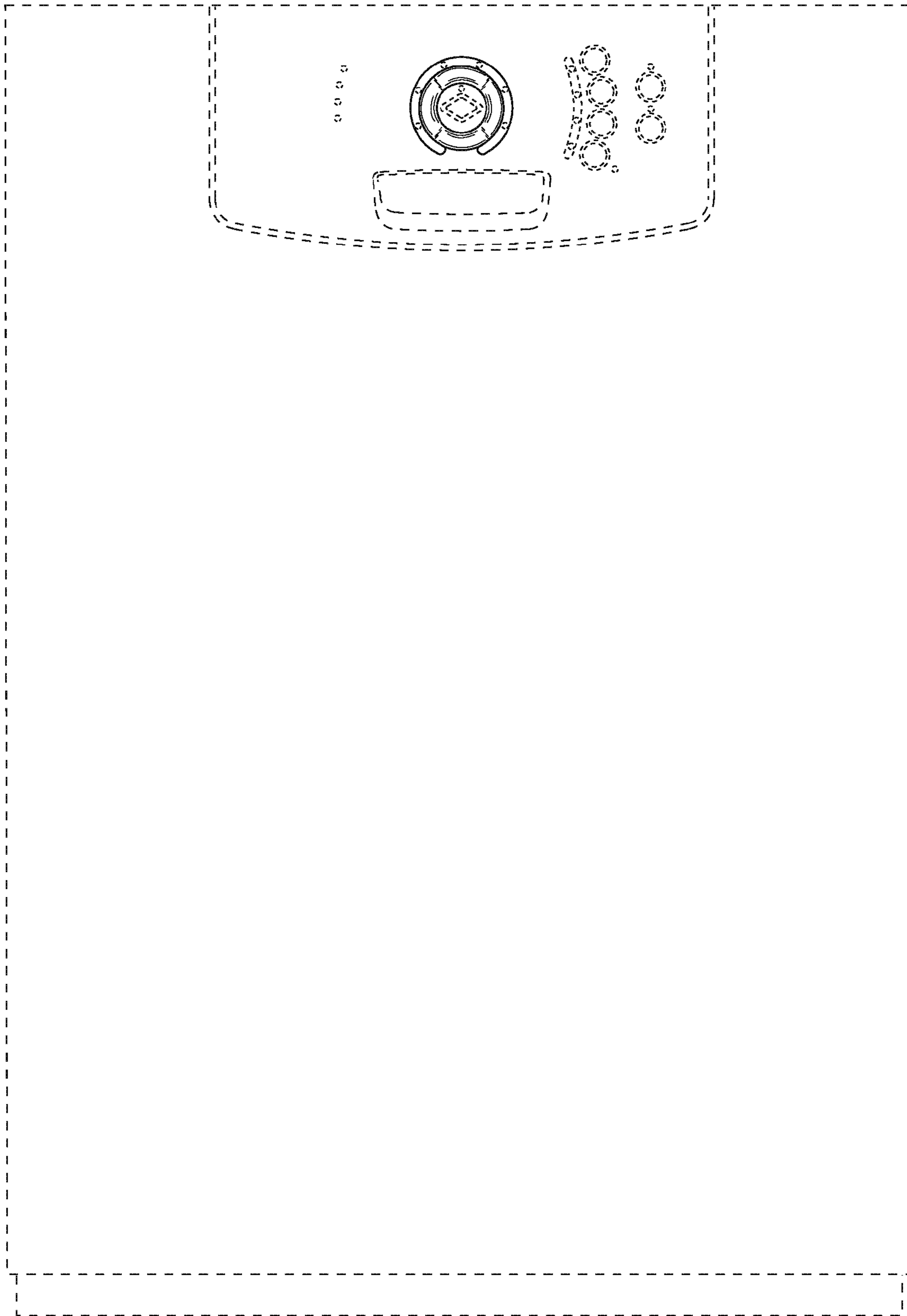


Fig. 3

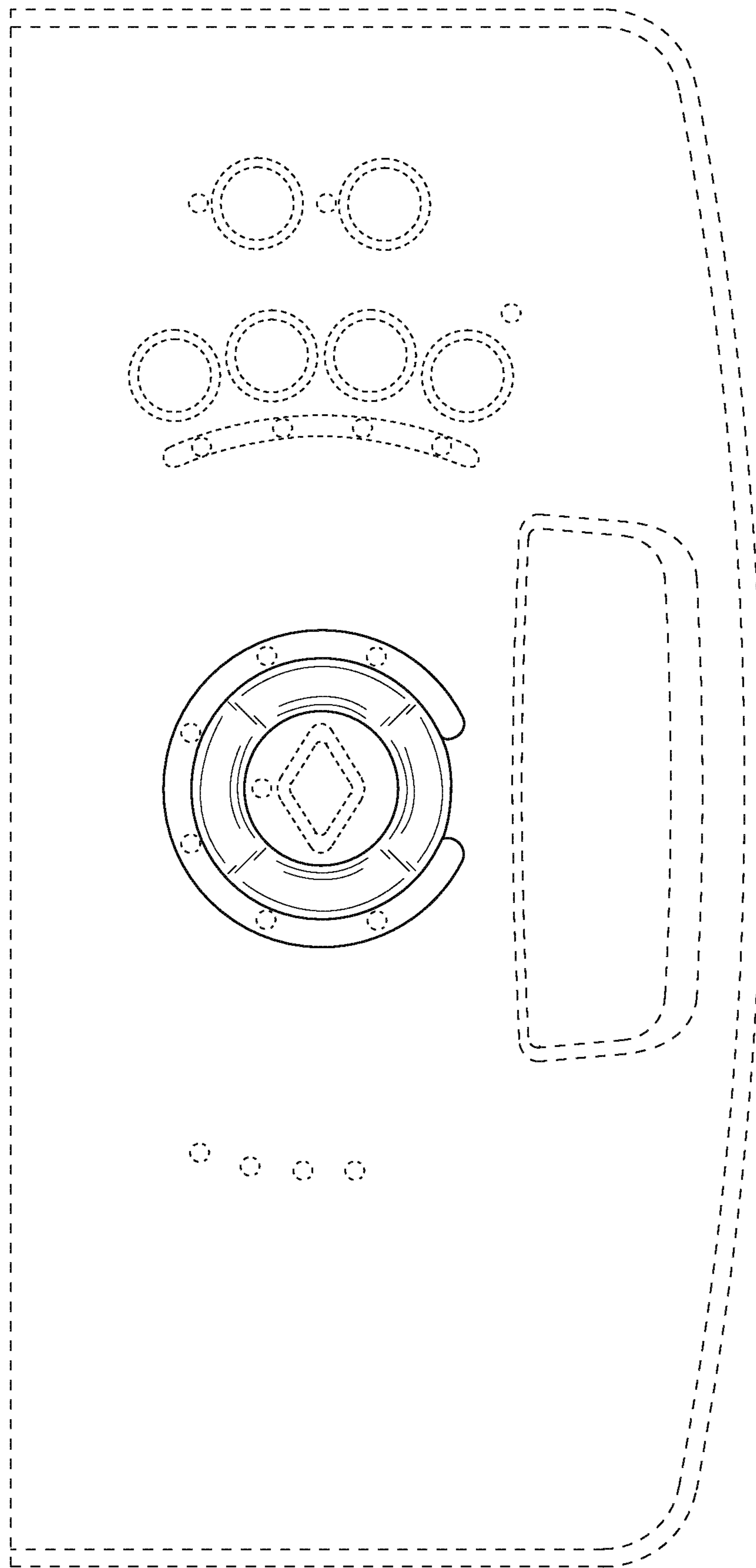


Fig. 4