



US00D586959S

(12) **United States Design Patent**  
**Geringer et al.**

(10) **Patent No.:** **US D586,959 S**

(45) **Date of Patent:** **\*\* Feb. 17, 2009**

(54) **AUTONOMOUS COVERAGE ROBOT**

(75) Inventors: **Joseph Geringer**, Merrimack, NH (US);  
**Stephen Hickey**, Somerville, MA (US);  
**Thomas Swyst**, Arlington, MA (US)

(73) Assignee: **iRobot Corporation**, Bedford, MA (US)

(\*\*) Term: **14 Years**

(21) Appl. No.: **29/317,953**

(22) Filed: **May 9, 2008**

(51) **LOC (9) Cl.** ..... **15-05**

(52) **U.S. Cl.** ..... **D32/21**

(58) **Field of Classification Search** ..... D32/17,  
D32/18, 31, 21; 392/324-325, 403-406,  
392/383, 384, 476, 477; 219/259, 242, 254,  
219/246; 15/329, 320-321, 327.1, 327.2,  
15/327.7, 319, 21.1, 28, 29; 134/18; 701/23;  
700/245; 901/1

See application file for complete search history.

(56) **References Cited**

**U.S. PATENT DOCUMENTS**

D375,592 S *	11/1996	Ljunggren	.....	D32/21
D474,312 S *	5/2003	Stephens et al.	.....	D32/21
D524,495 S *	7/2006	Ljunggren	.....	D32/21
D526,753 S *	8/2006	Tani et al.	.....	D32/21
D548,902 S *	8/2007	Chun et al.	.....	D32/21
D548,903 S *	8/2007	Chun et al.	.....	D32/21

7,251,853 B2 *	8/2007	Park et al.	.....	15/319
D556,961 S *	12/2007	Swyst et al.	.....	D32/21
2008/0201895 A1 *	8/2008	Kim et al.	.....	15/319

\* cited by examiner

*Primary Examiner*—Ruth McInroy

(74) *Attorney, Agent, or Firm*—Fish & Richardson P.C.

(57) **CLAIM**

The ornamental design for an autonomous coverage robot, substantially as shown and described.

**DESCRIPTION**

FIG. 1. is an elevated perspective view of the autonomous coverage robot.

FIG. 2 is a right side view of the autonomous coverage robot shown in FIG. 1.

FIG. 3 is a left side view of the autonomous coverage robot shown in FIG. 1.

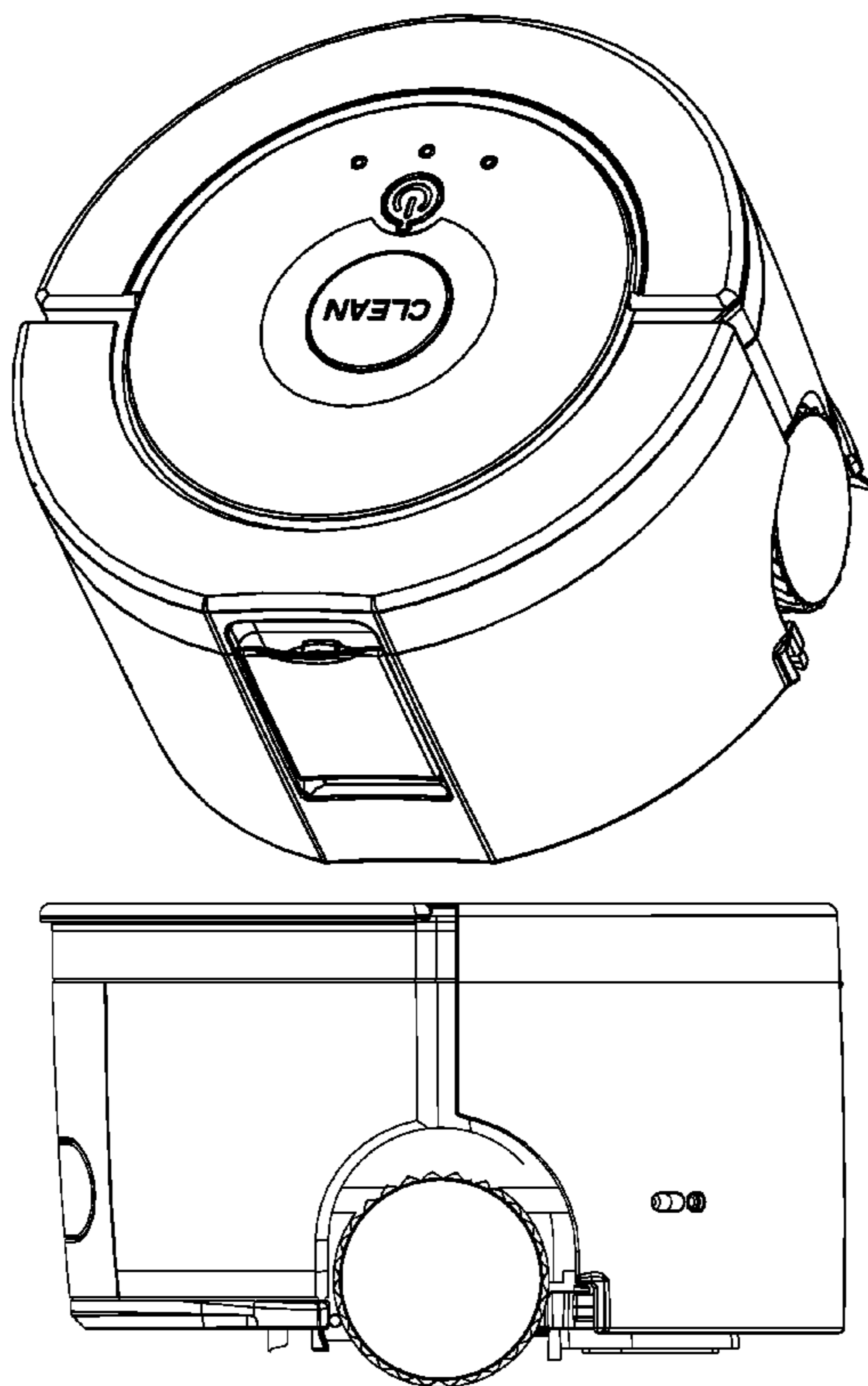
FIG. 4 is a front view of the autonomous coverage robot shown in FIG. 1.

FIG. 5 is a rear side view of the autonomous coverage robot shown in FIG. 1.

FIG. 6 is a top view of the autonomous coverage robot shown in FIG. 1; and,

FIG. 7 is a bottom view of the autonomous coverage robot shown in FIG. 1.

**1 Claim, 7 Drawing Sheets**



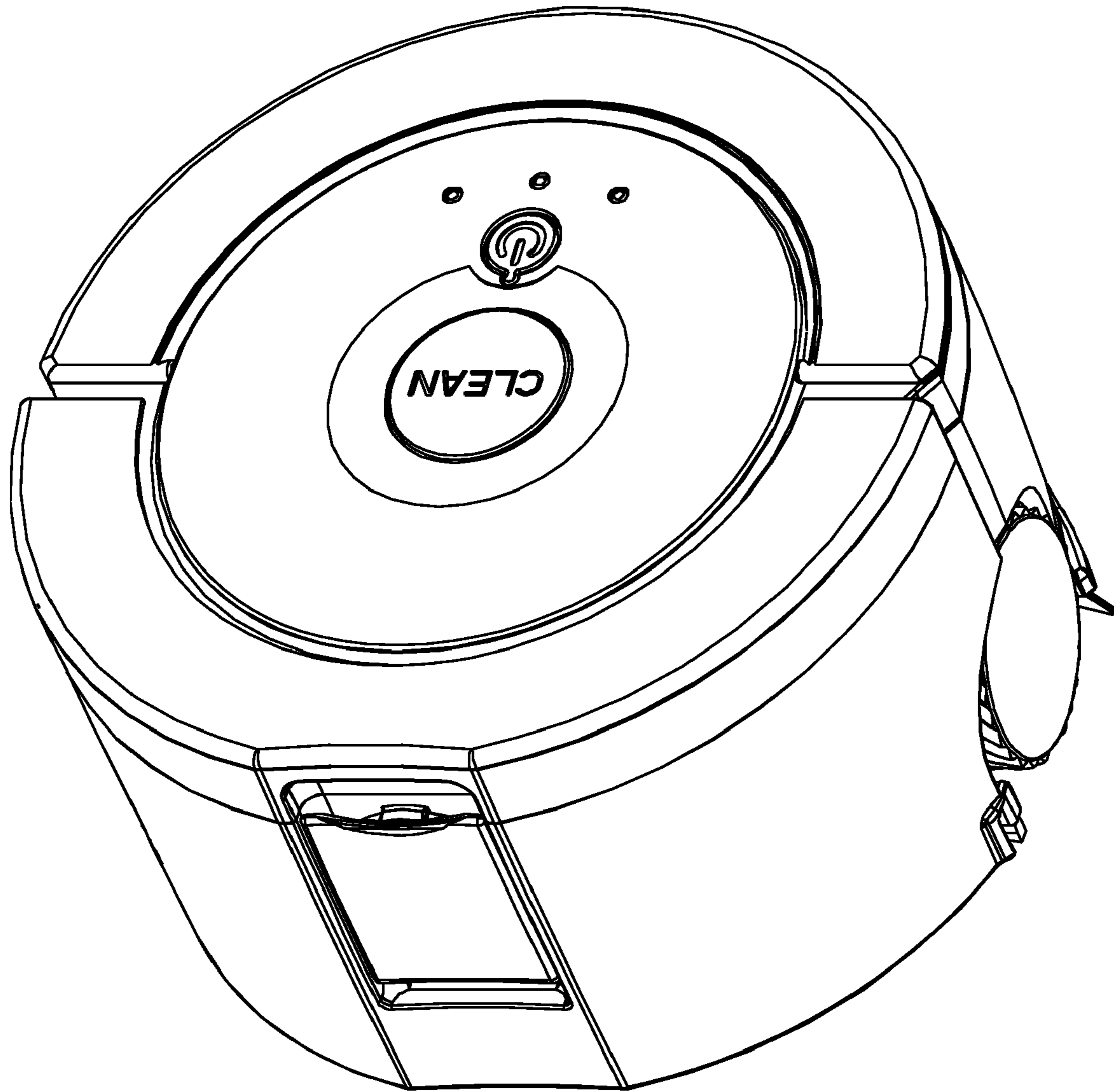


FIG. 1

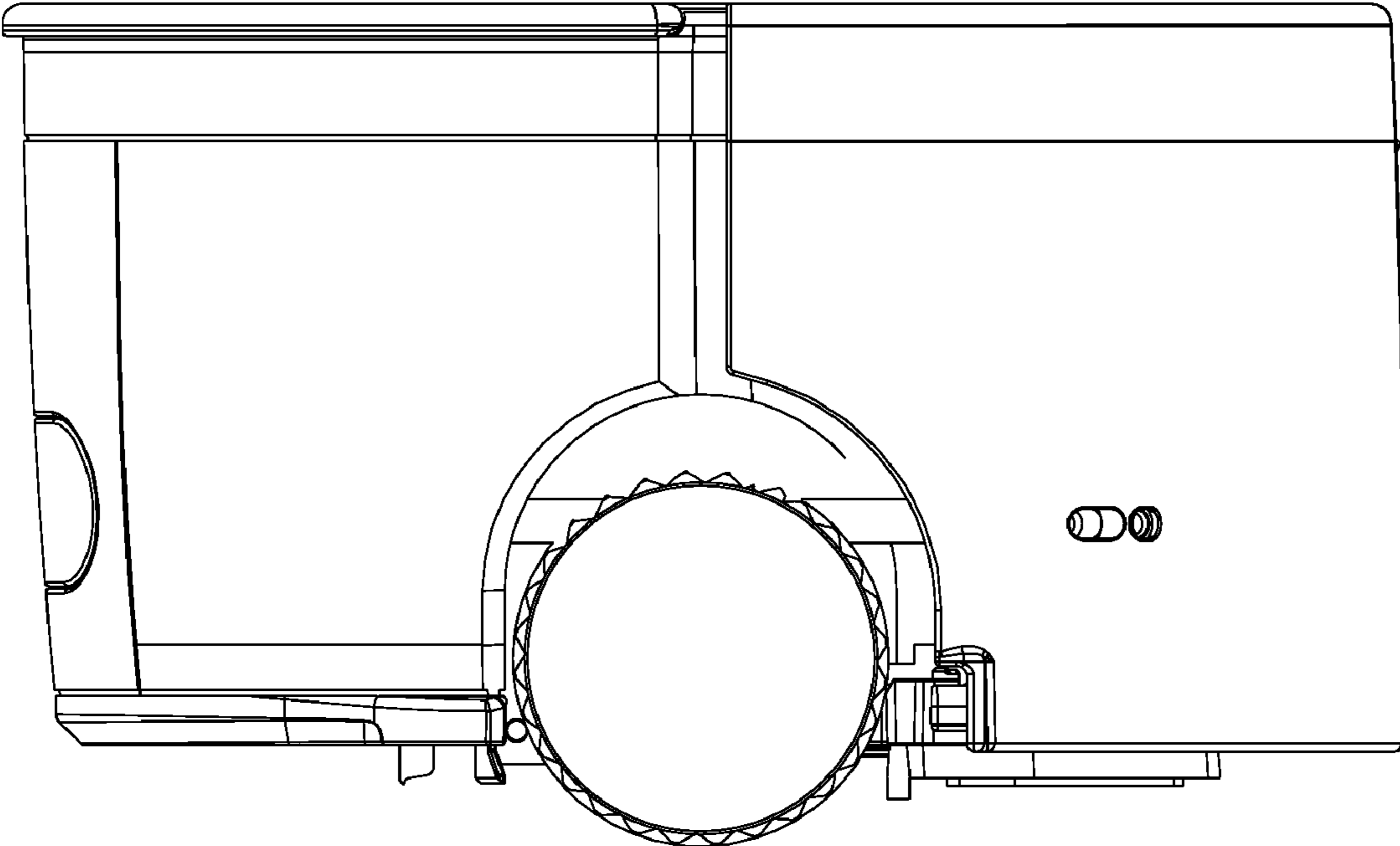


FIG. 2

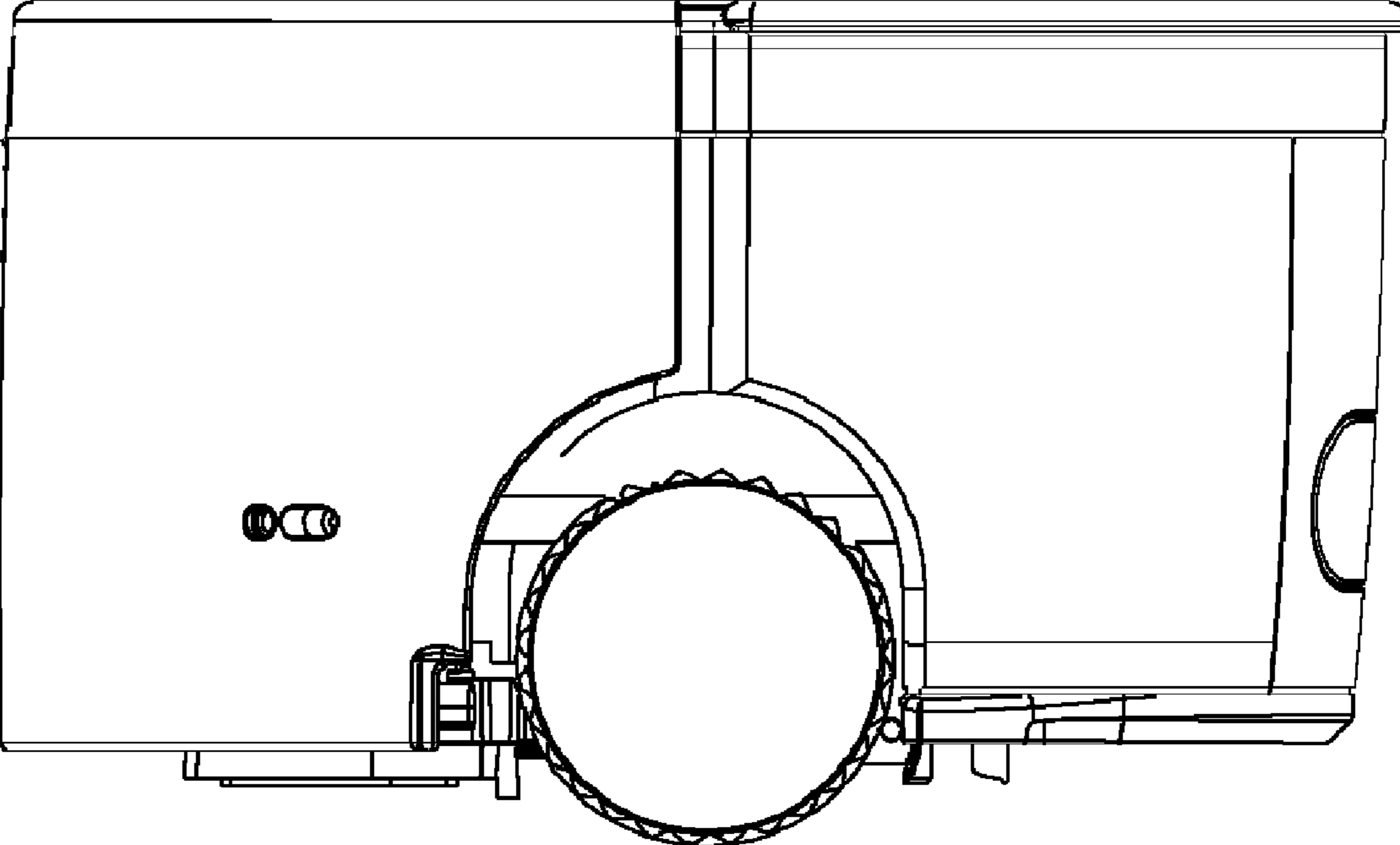


FIG. 3

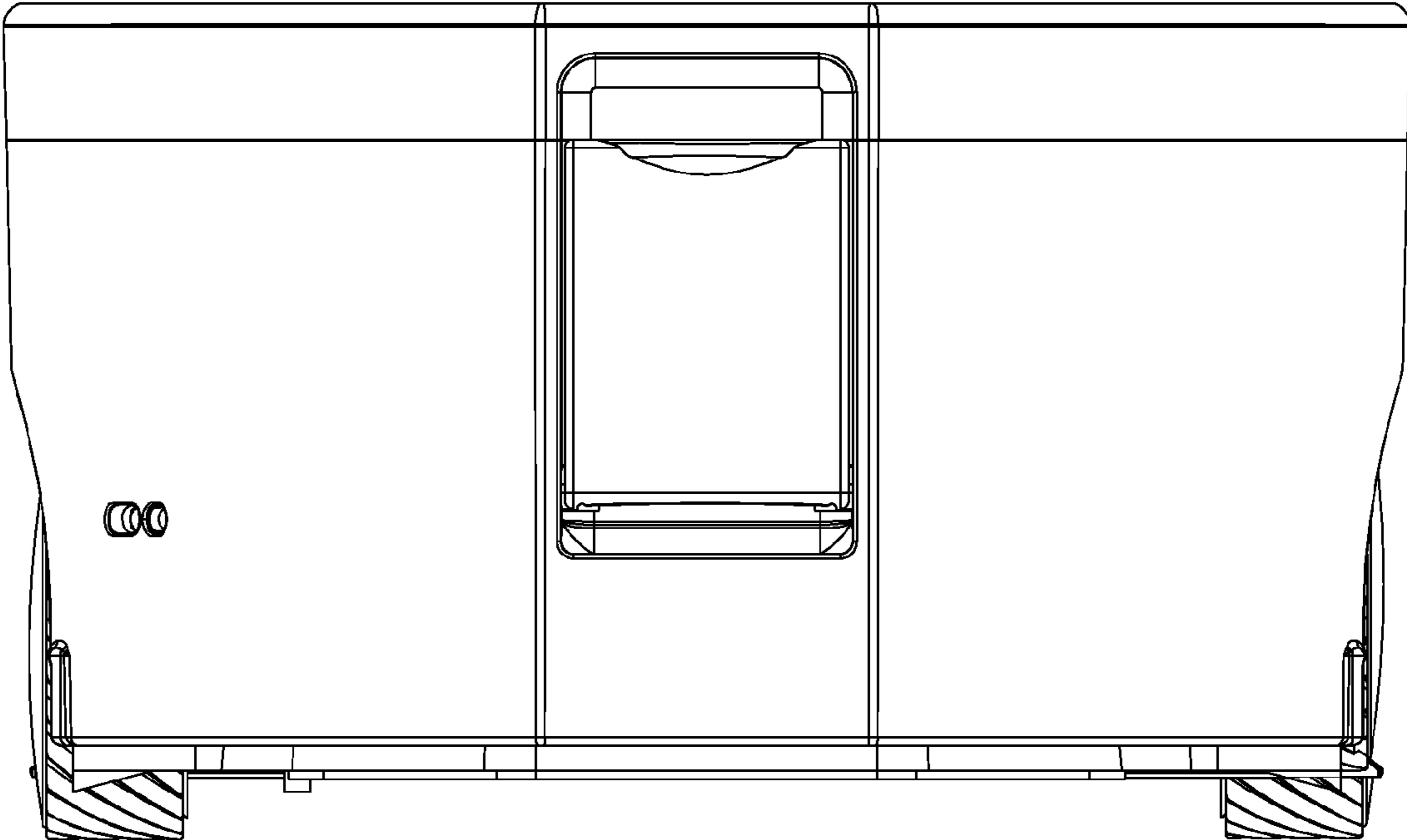


FIG. 4

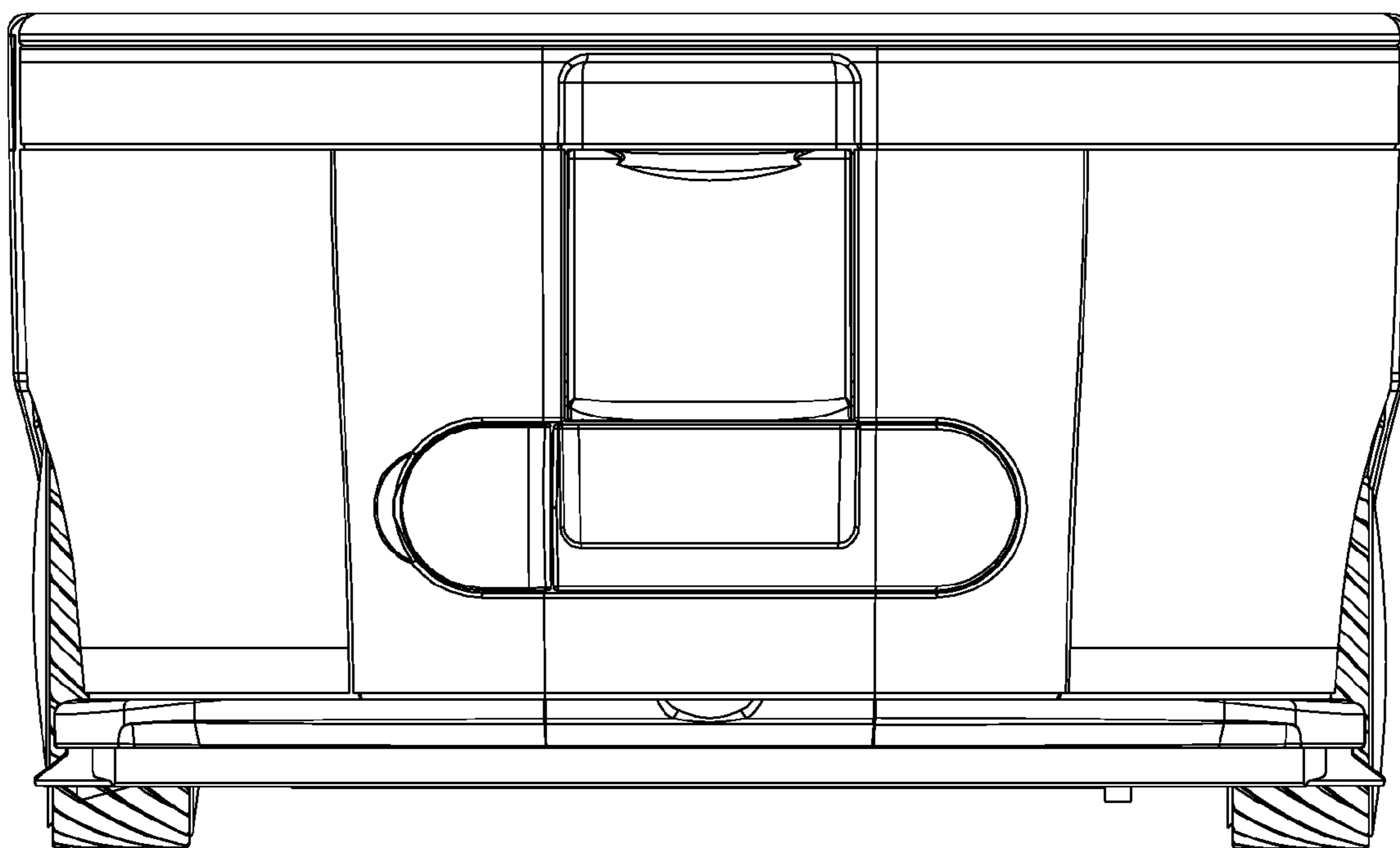


FIG. 5

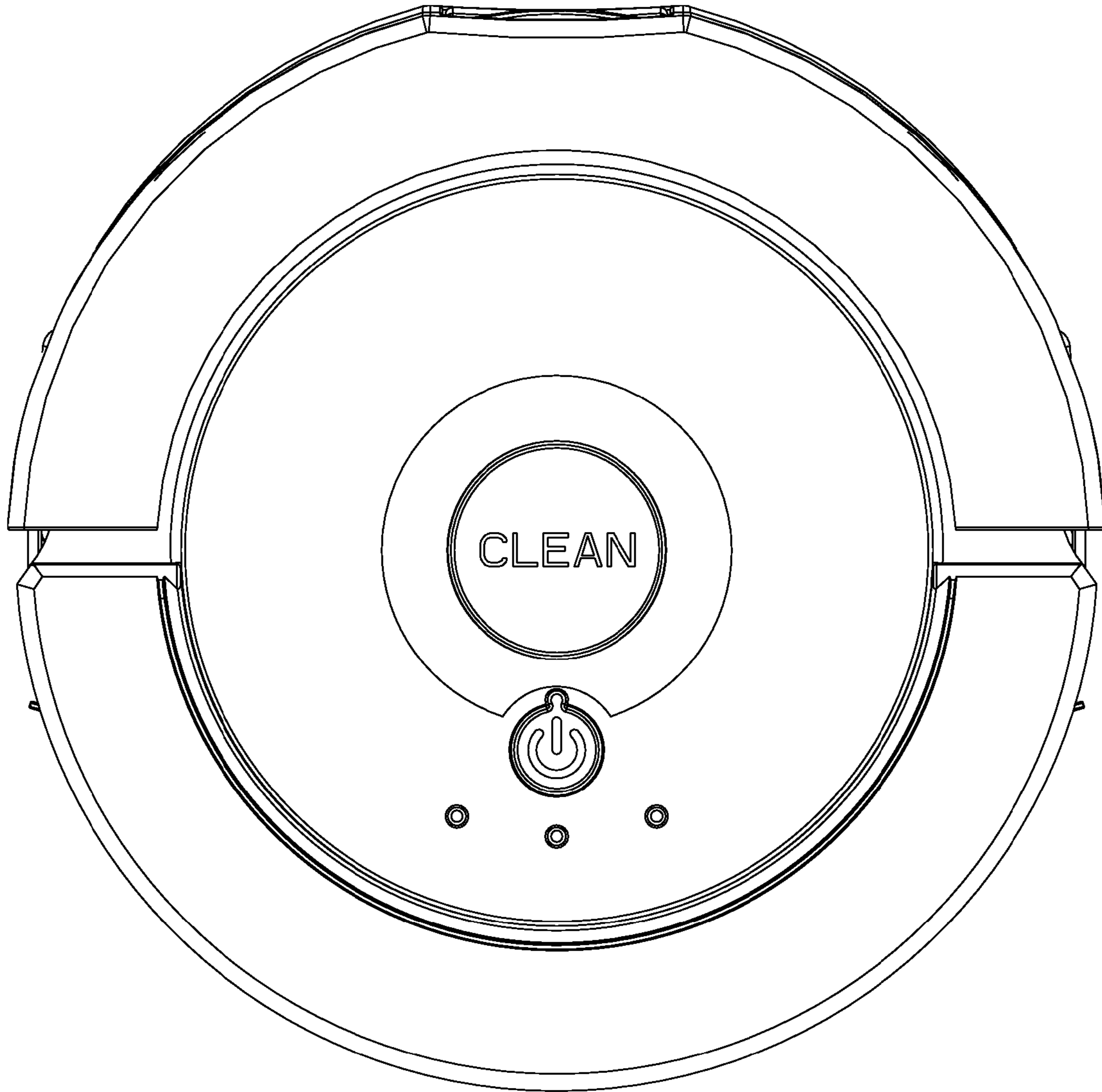


FIG. 6

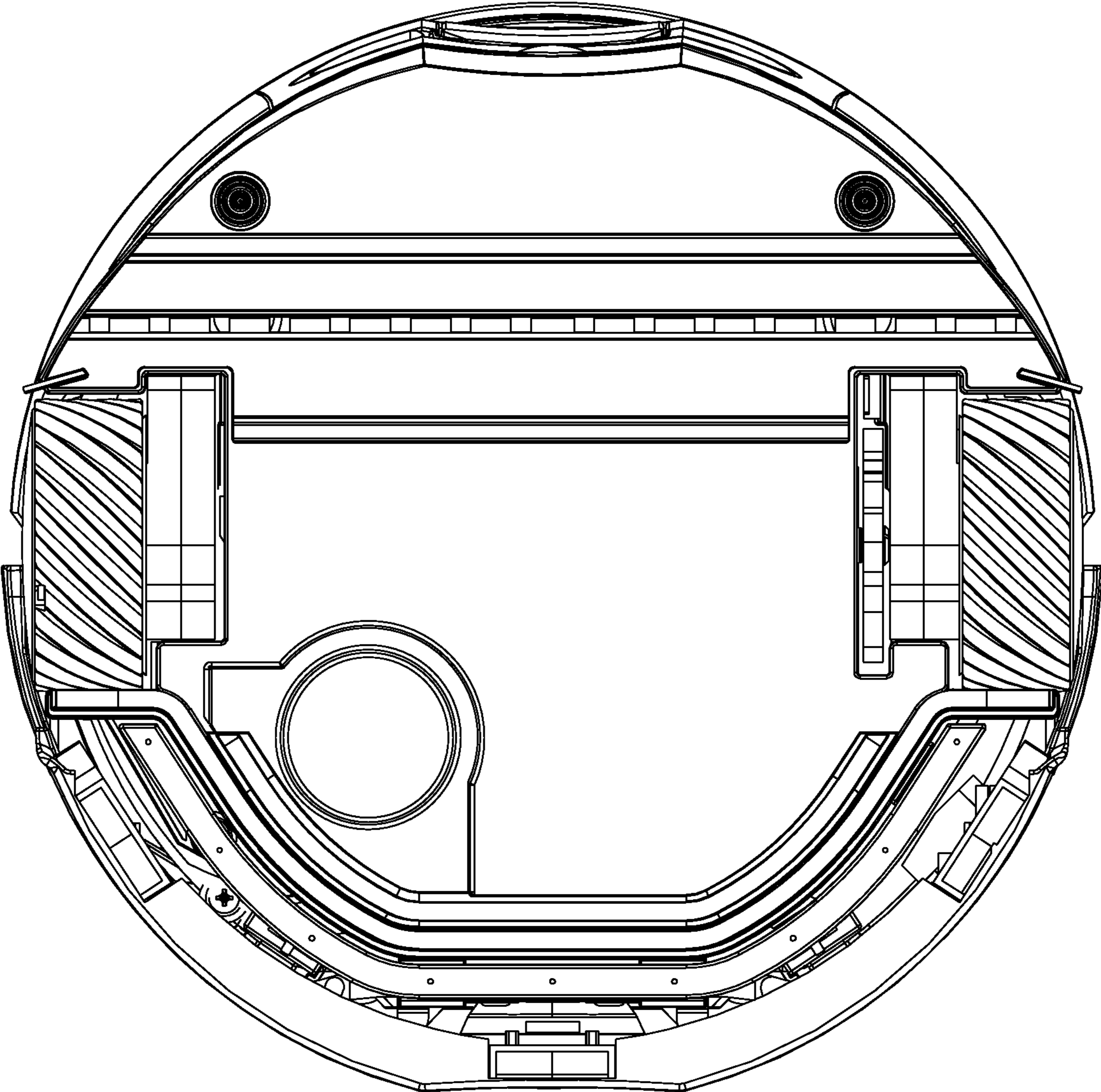


FIG. 7



UNITED STATES PATENT AND TRADEMARK OFFICE  
Certificate

Patent No. D586,959 S

Patented: February 17, 2009

On petition requesting issuance of a certificate for correction of inventorship pursuant to 35 U.S.C. 256, it has been found that the above identified patent, through error and without any deceptive intent, improperly sets forth the inventorship.

Accordingly, it is hereby certified that the correct inventorship of this patent is: Joseph Geringer, Merrimack, NH (US); Stephen Hickey, Somerville, MA (US); Thomas Swyst, Arlington, MA (US); and Duane L. Gilbert, Jr., Goffstown, NH (US).

Signed and Sealed this Seventh Day of May 2013.

PHILIP S. HYDER  
*Supervisory Patent Examiner*  
Art Unit 2917  
Technology Center 2900