



US00D586955S

(12) **United States Design Patent**
Eigenstetter et al.

(10) **Patent No.:** **US D586,955 S**

(45) **Date of Patent:** **** Feb. 17, 2009**

(54) **COMBINED HAIR CUTTING DEVICE AND BASE**

(75) Inventors: **Bernd Eigenstetter**, München (DE);
Markus Mayer, München (DE)

(73) Assignee: **Wella Aktiengesellschaft**, Darmstadt (DE)

(**) Term: **14 Years**

(21) Appl. No.: **29/270,473**

(22) Filed: **Dec. 21, 2006**

(30) **Foreign Application Priority Data**

Jun. 26, 2006 (DE) 406 03 336

(51) **LOC (9) Cl.** **28-03**

(52) **U.S. Cl.** **D28/53; D28/54; D28/73**

(58) **Field of Classification Search** 30/32,
30/34.05, 34.1, 34.2, 43-43.92, 44-45, 47-50,
30/526-533; D28/49-54, 73

See application file for complete search history.

(56) **References Cited**

U.S. PATENT DOCUMENTS

D443,725	S	*	6/2001	Copland et al.	D28/53
D456,096	S	*	4/2002	Rizzuto et al.	D28/53
D466,650	S	*	12/2002	Muller et al.	D28/53
D493,573	S	*	7/2004	Graf	D28/53
D499,211	S	*	11/2004	Altamore et al.	D28/54
D519,682	S	*	4/2006	Choi	D28/73
D535,787	S	*	1/2007	Lin	D28/53

* cited by examiner

Primary Examiner—Jennifer Rivard

(74) *Attorney, Agent, or Firm*—DLA Piper LLP US

(57) **CLAIM**

We claim the ornamental design for a combined hair cutting device and base, as shown and described.

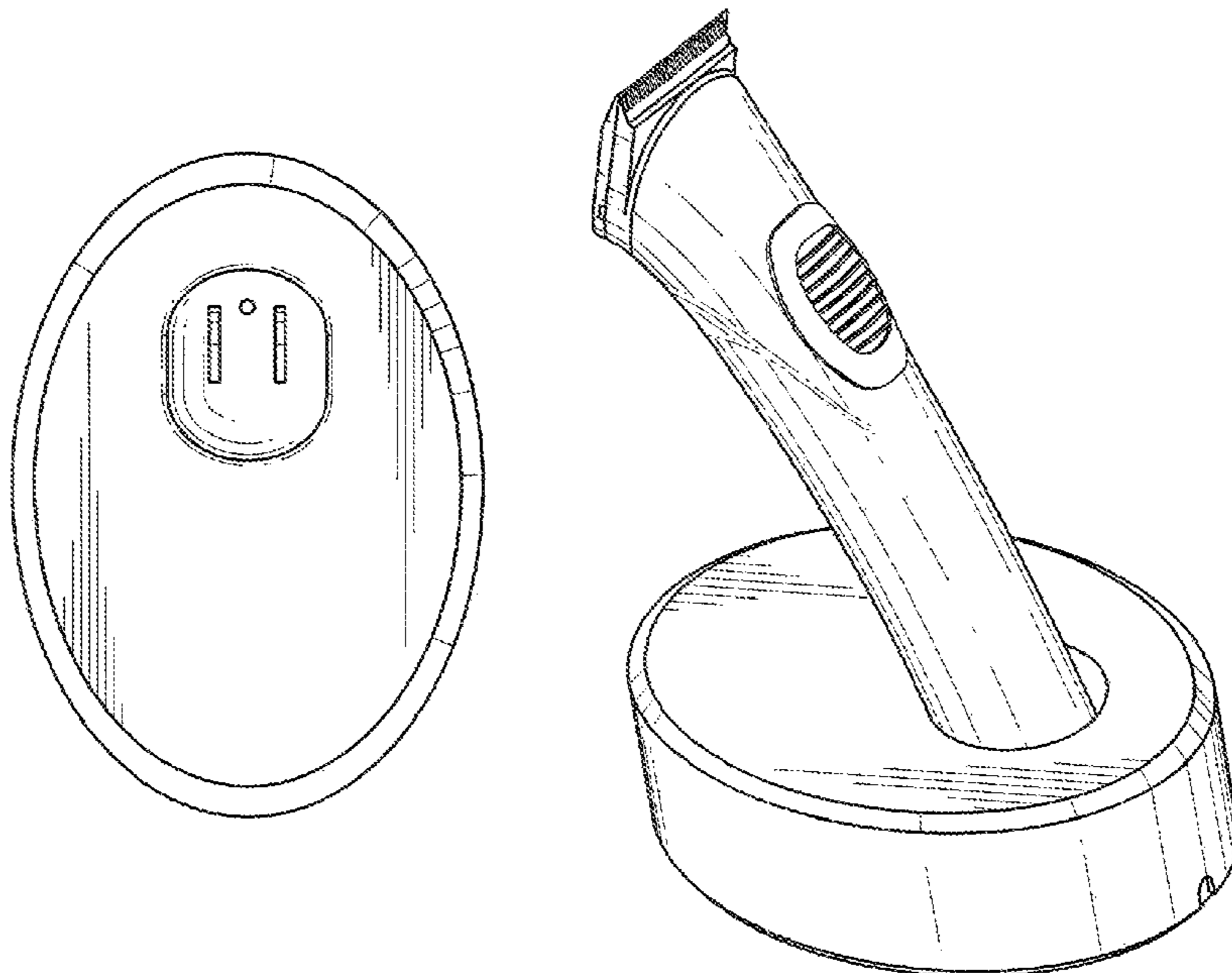
DESCRIPTION

FIG. 1 is a side view of a hair cutting device;
 FIG. 2 is a front view of the device;
 FIG. 3 is another side view of the device;
 FIG. 4 is a back view of the device;
 FIG. 5 is a top view of the device;
 FIG. 6 is a perspective view of the device;
 FIG. 7 is a bottom view of the device;
 FIG. 8 is a top view of the base;
 FIG. 9 is a bottom view of the base;
 FIG. 10 is a front view of a base;
 FIG. 11 is a side view of the base;
 FIG. 12 is a side view of the device parked on the base;
 FIG. 13 is a perspective view of the device parked on the base;
 FIG. 14 is a front view of the device parked on the base;
 FIG. 15 is a top view of the device parked on the base;
 FIG. 16 is a back view of the device parked on the base; and,
 FIG. 17 is another side view of the device parked on the base.

The hair cutting device and base are separately shown for convenience of illustration.

The broken lines along the bottom of the base are included for the purpose of illustrating portions of the article and form no part of the claimed design.

1 Claim, 8 Drawing Sheets



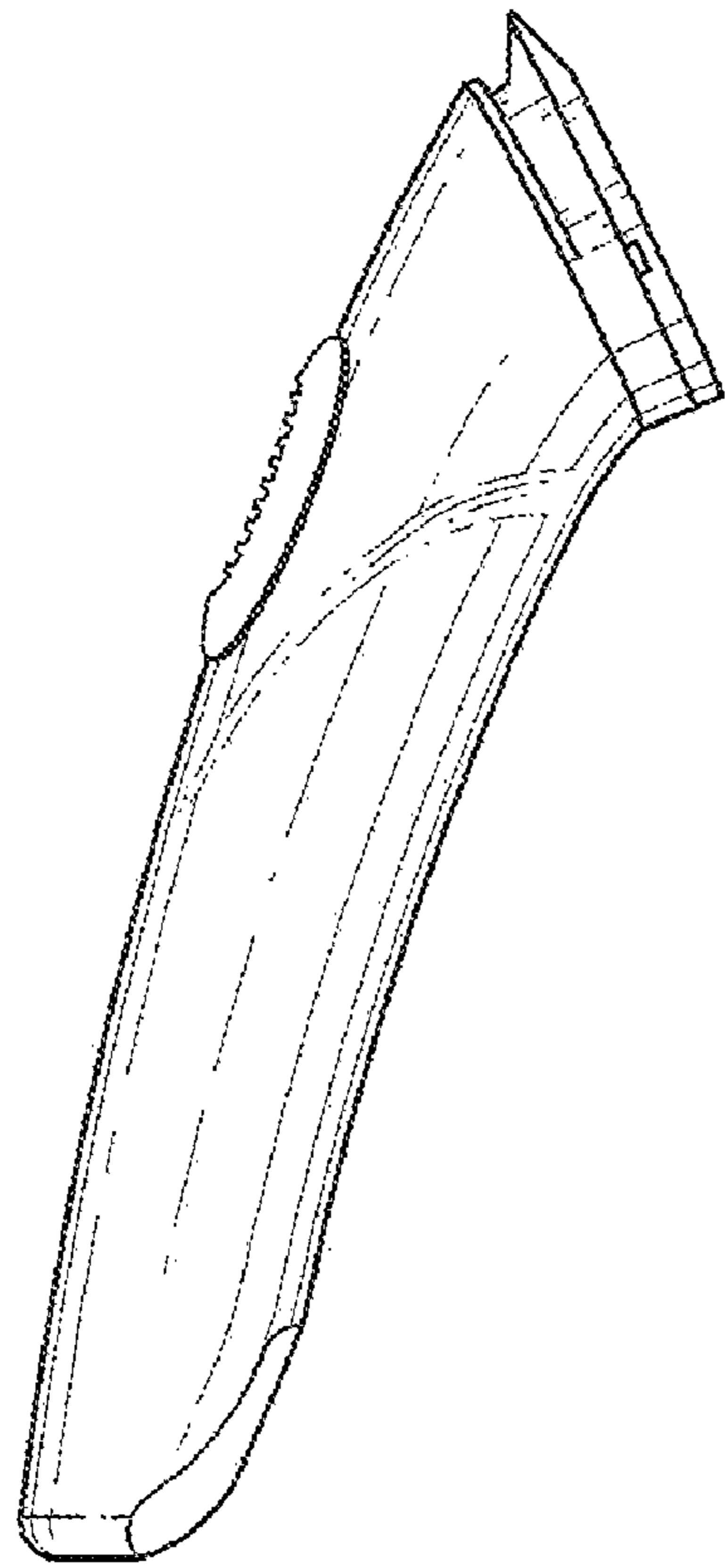


FIG. 1

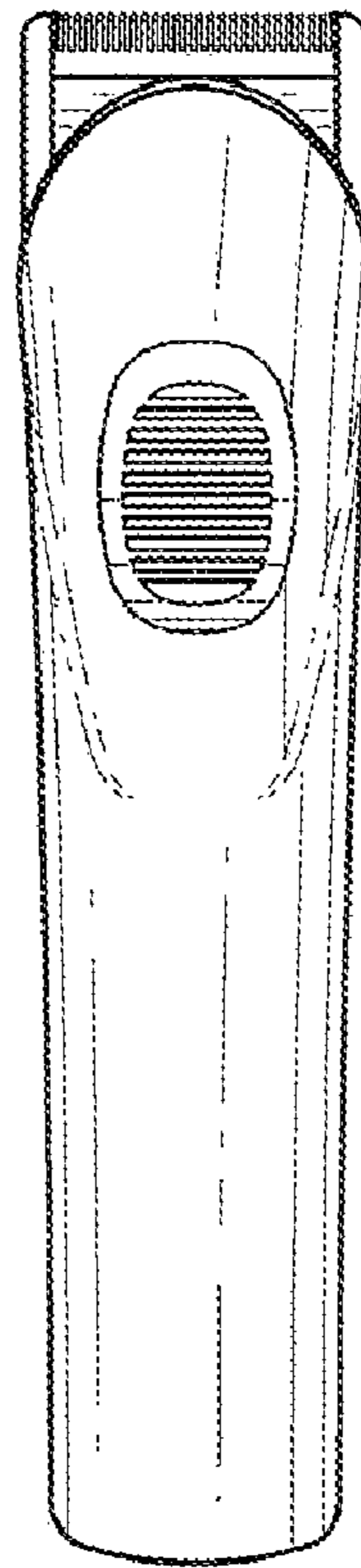


FIG. 2

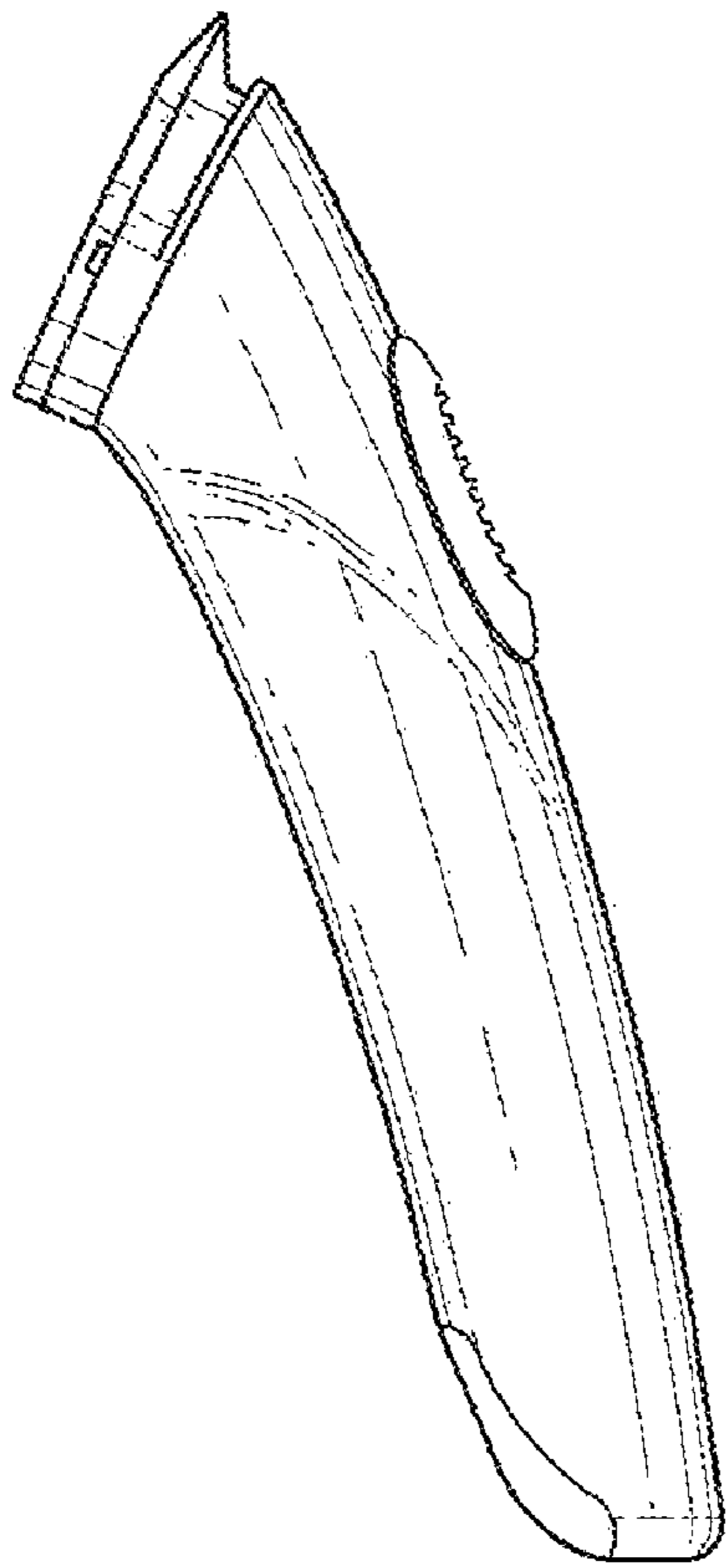


FIG. 3

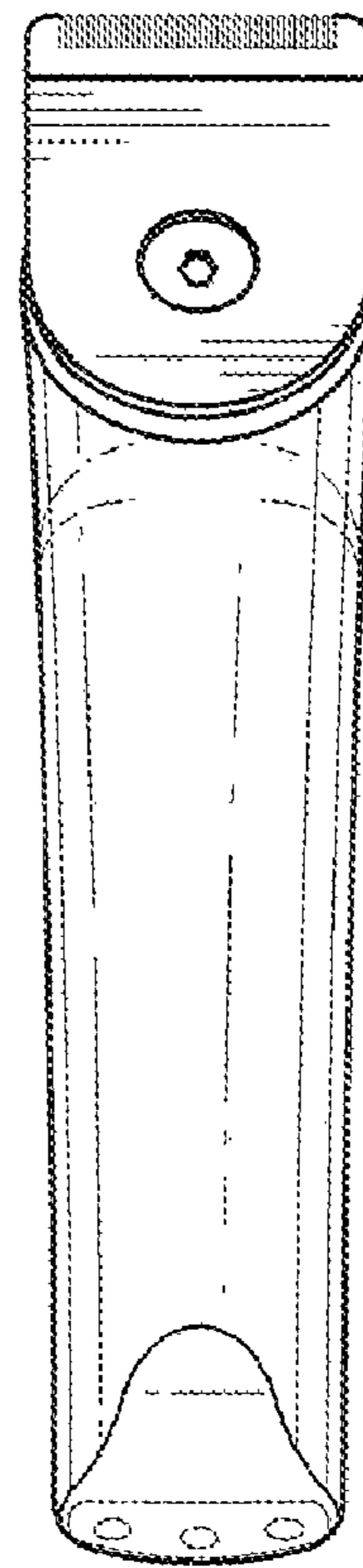


FIG. 4

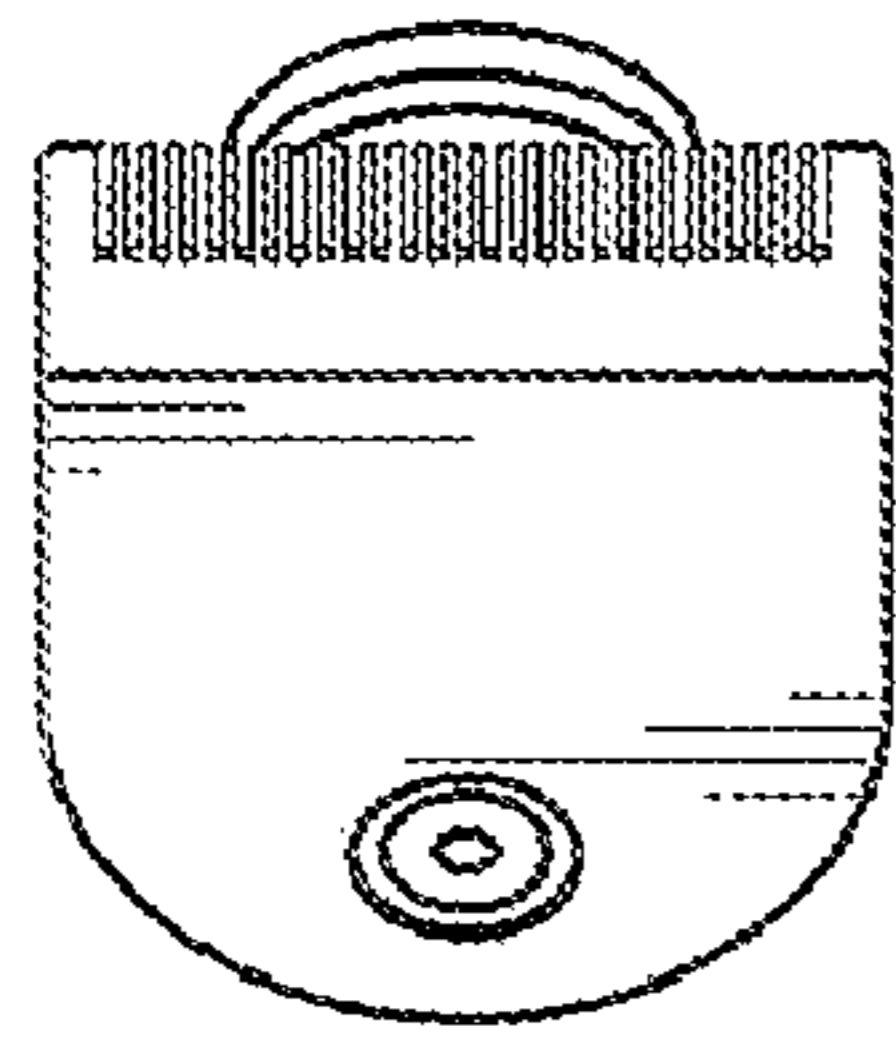


FIG. 5

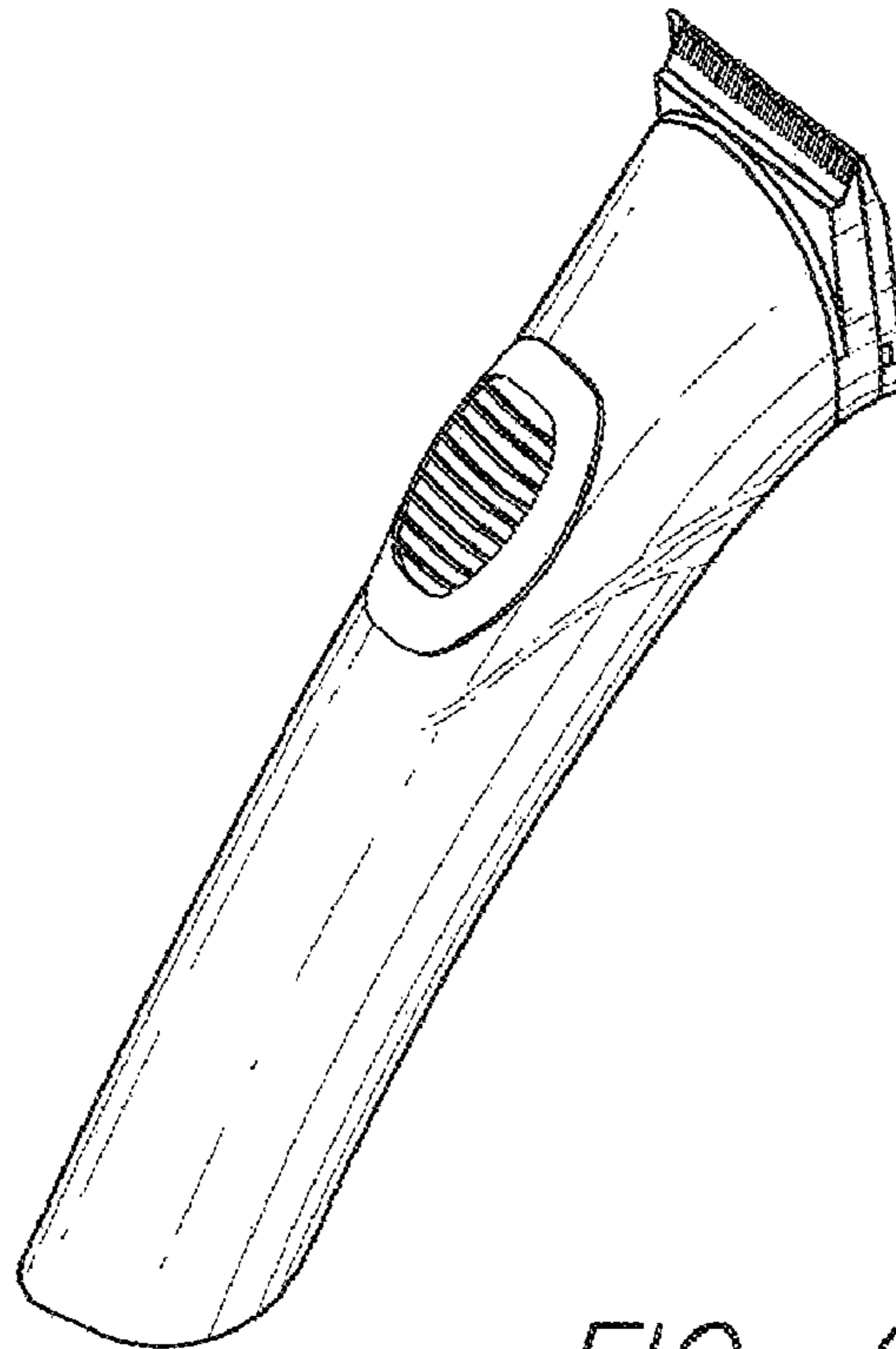


FIG. 6

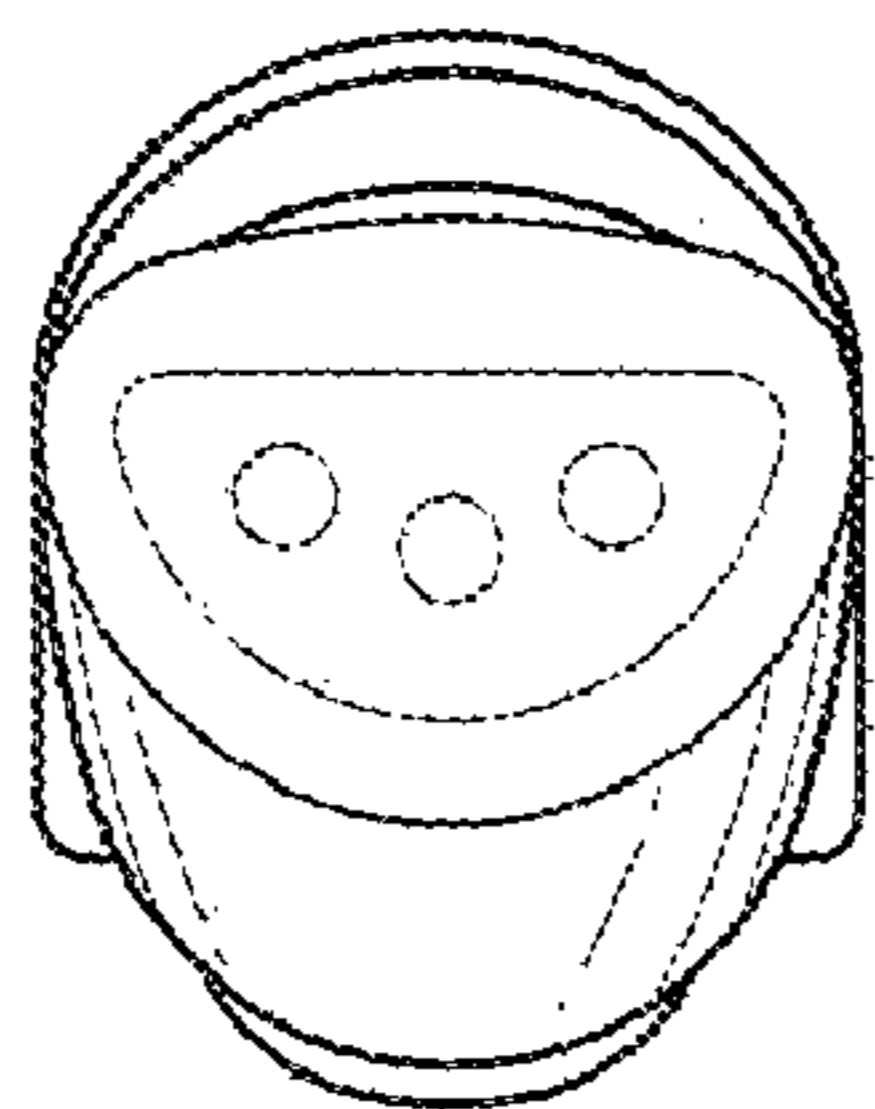


FIG. 7

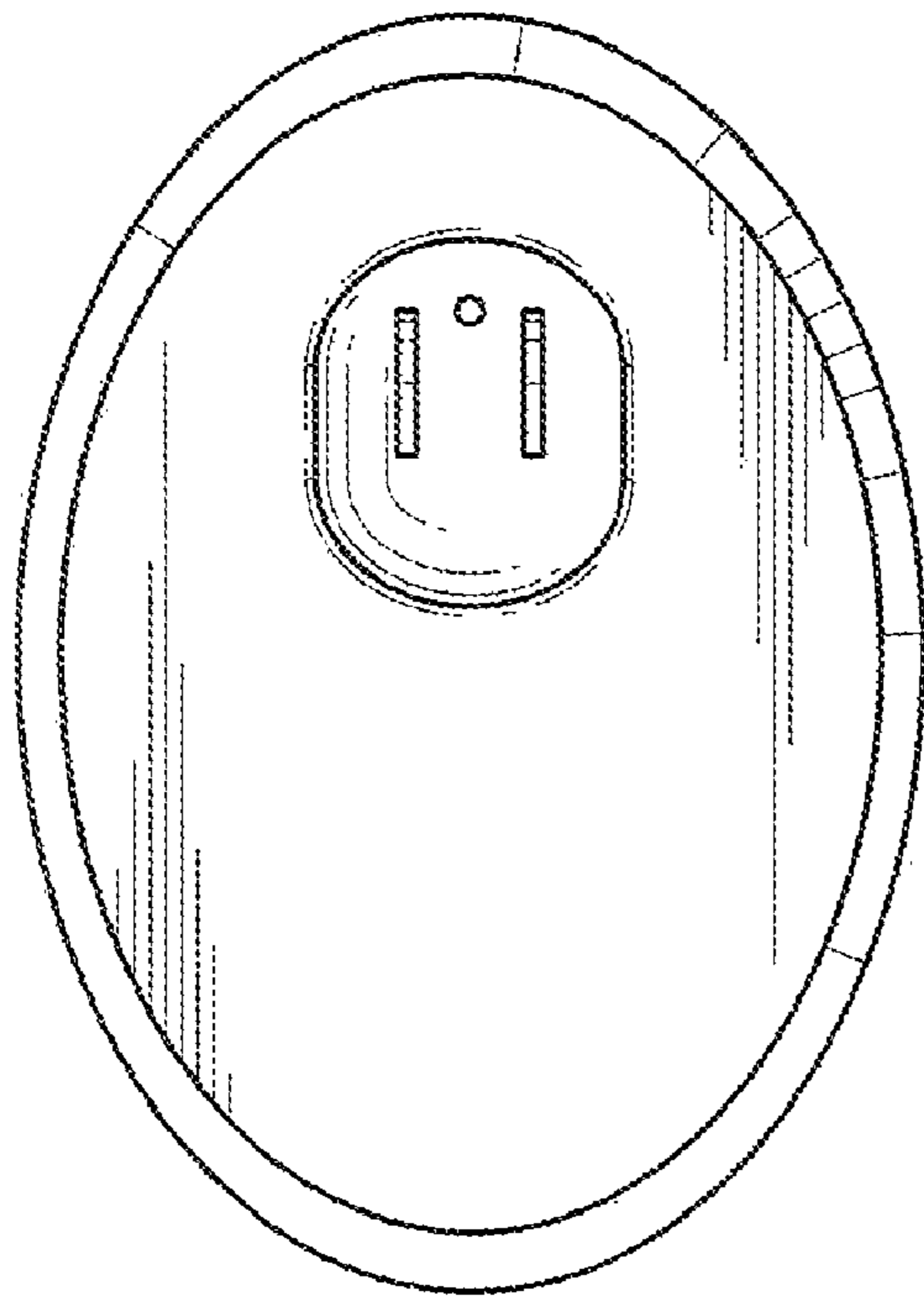


FIG. 8

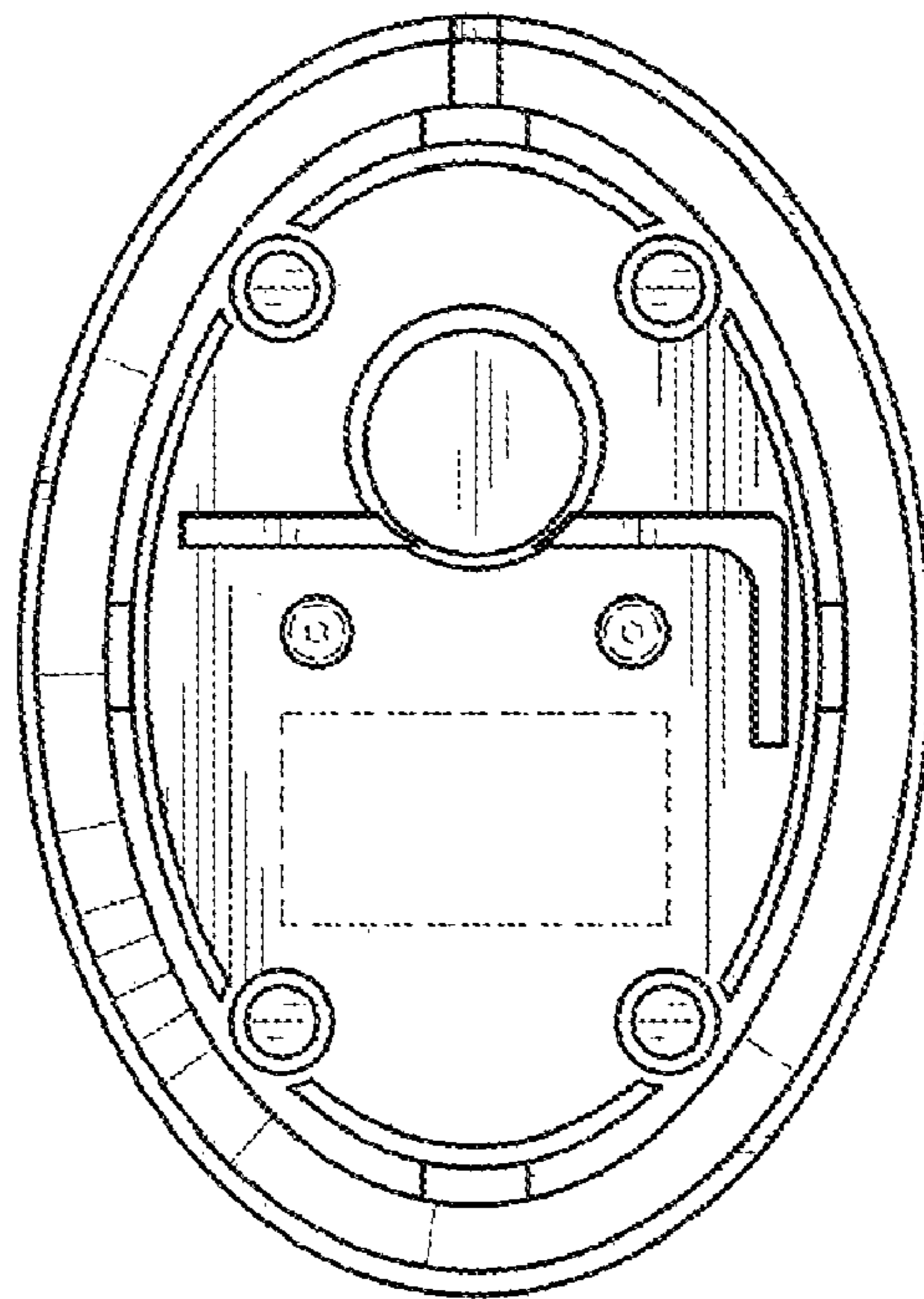


FIG. 9

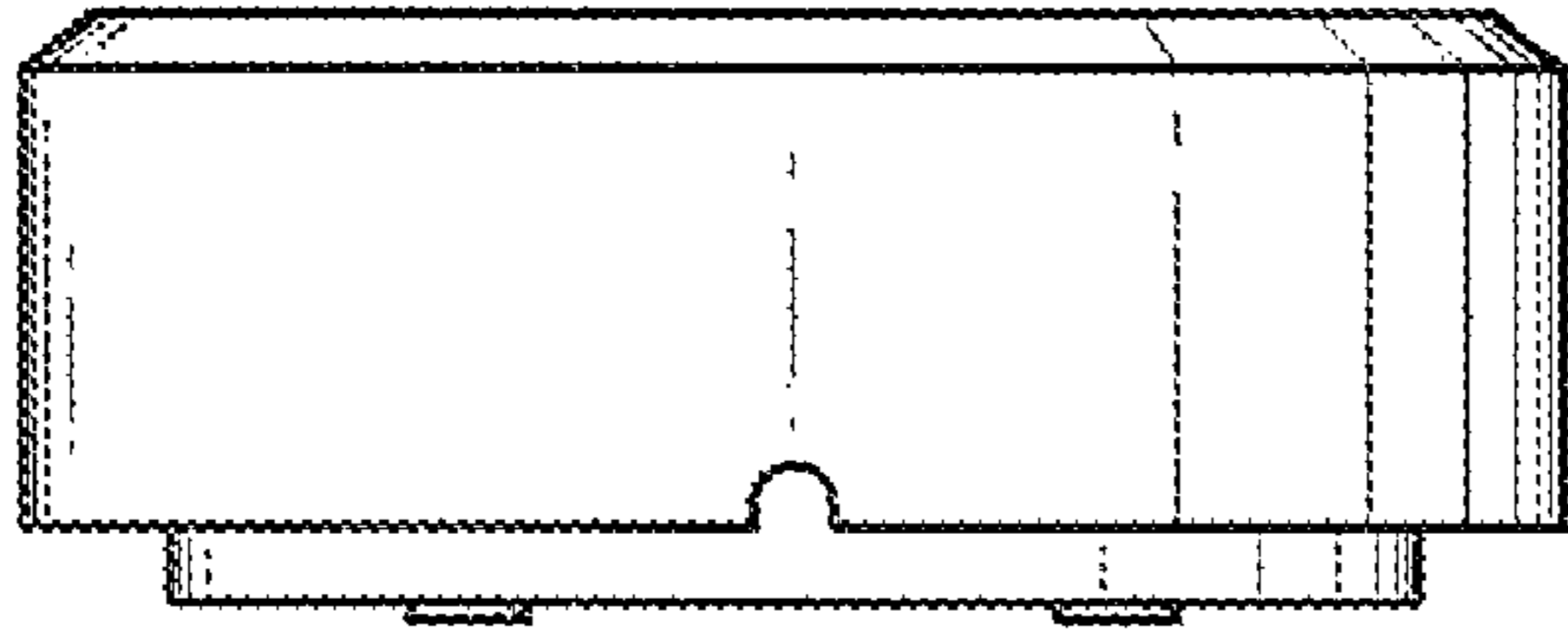


FIG. 10

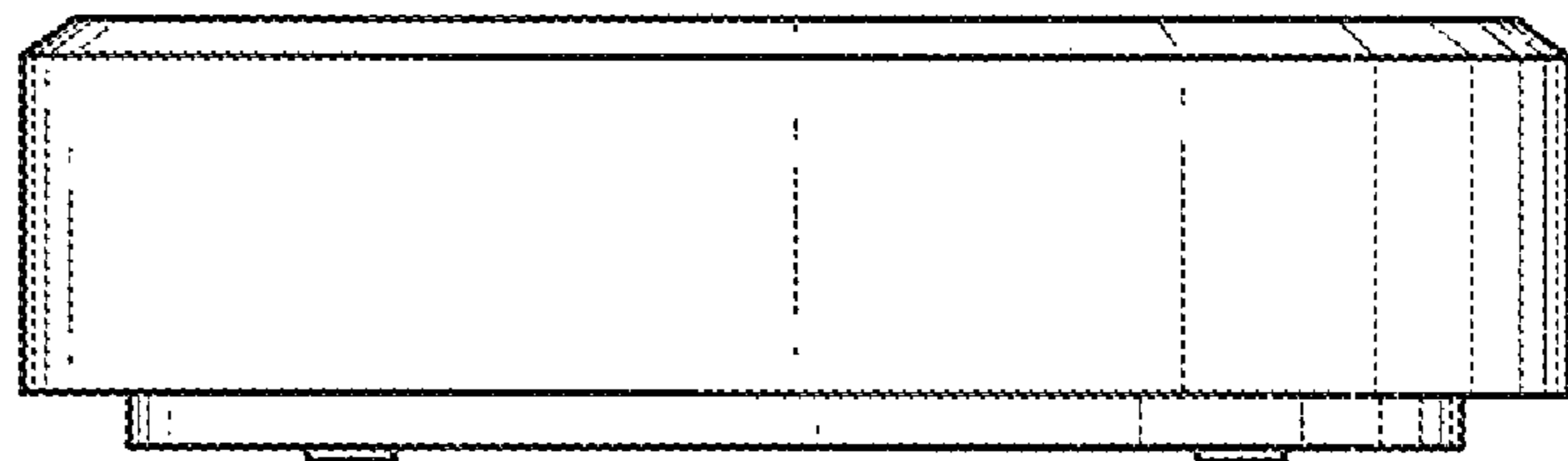


FIG. 11

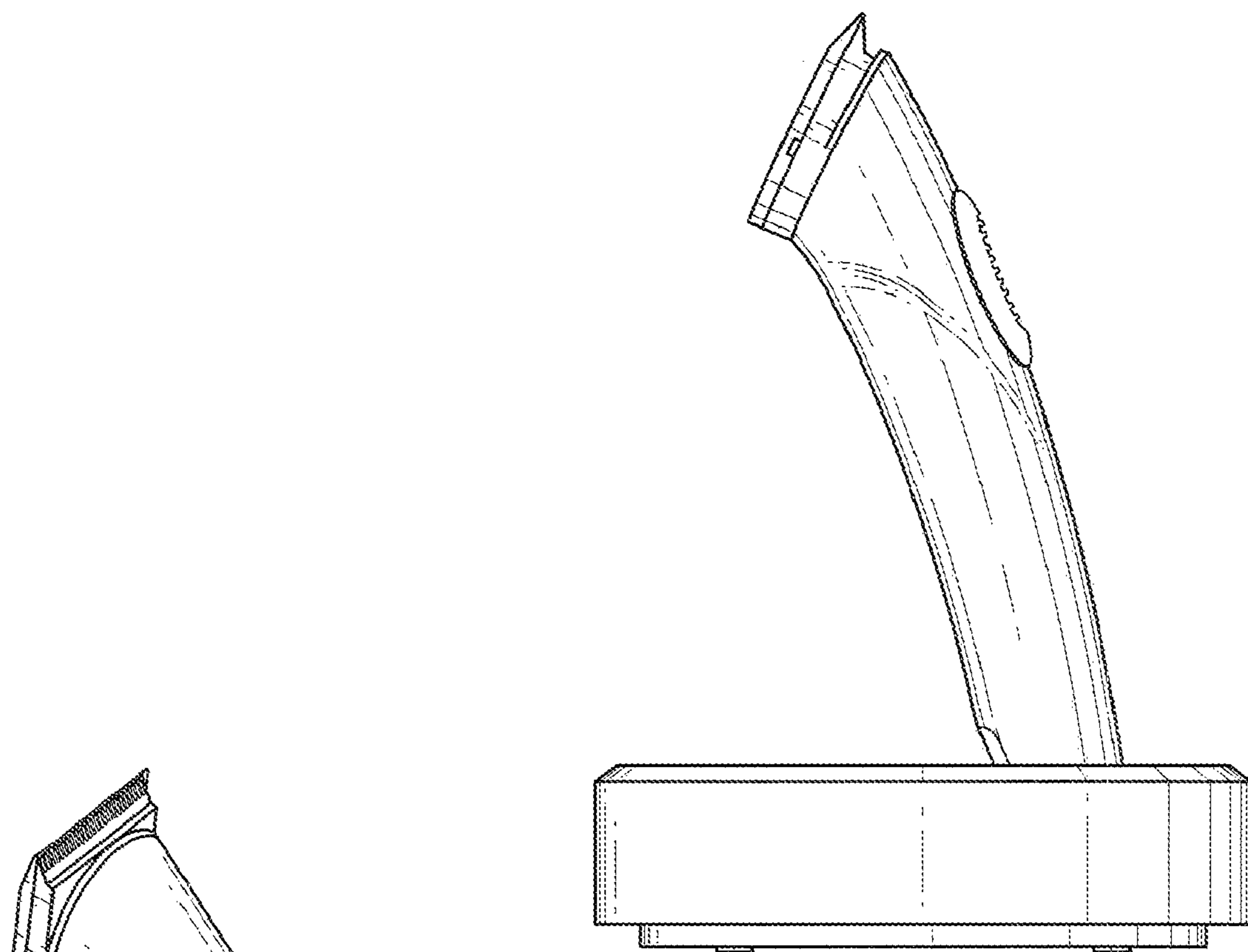


FIG. 12

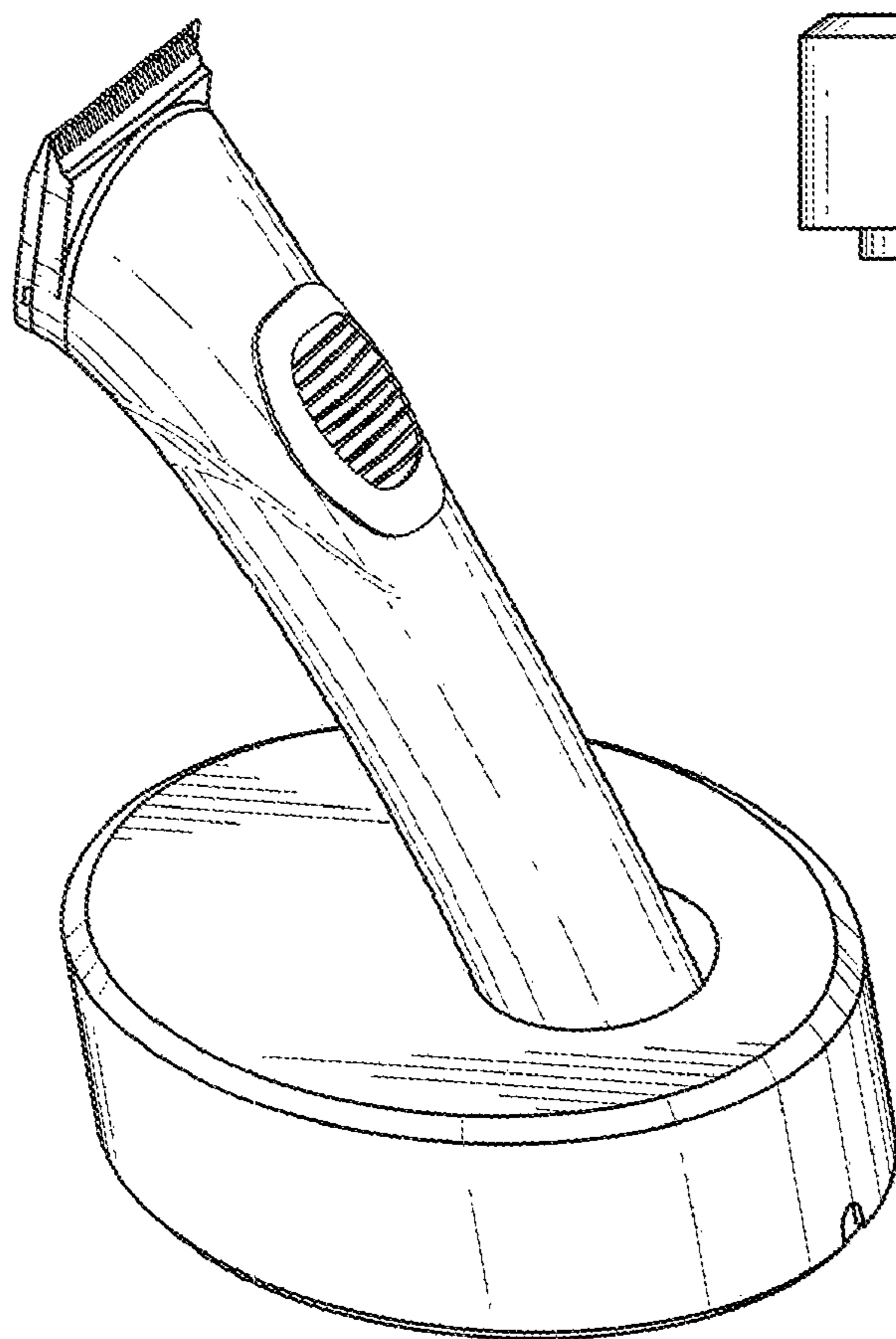


FIG. 13

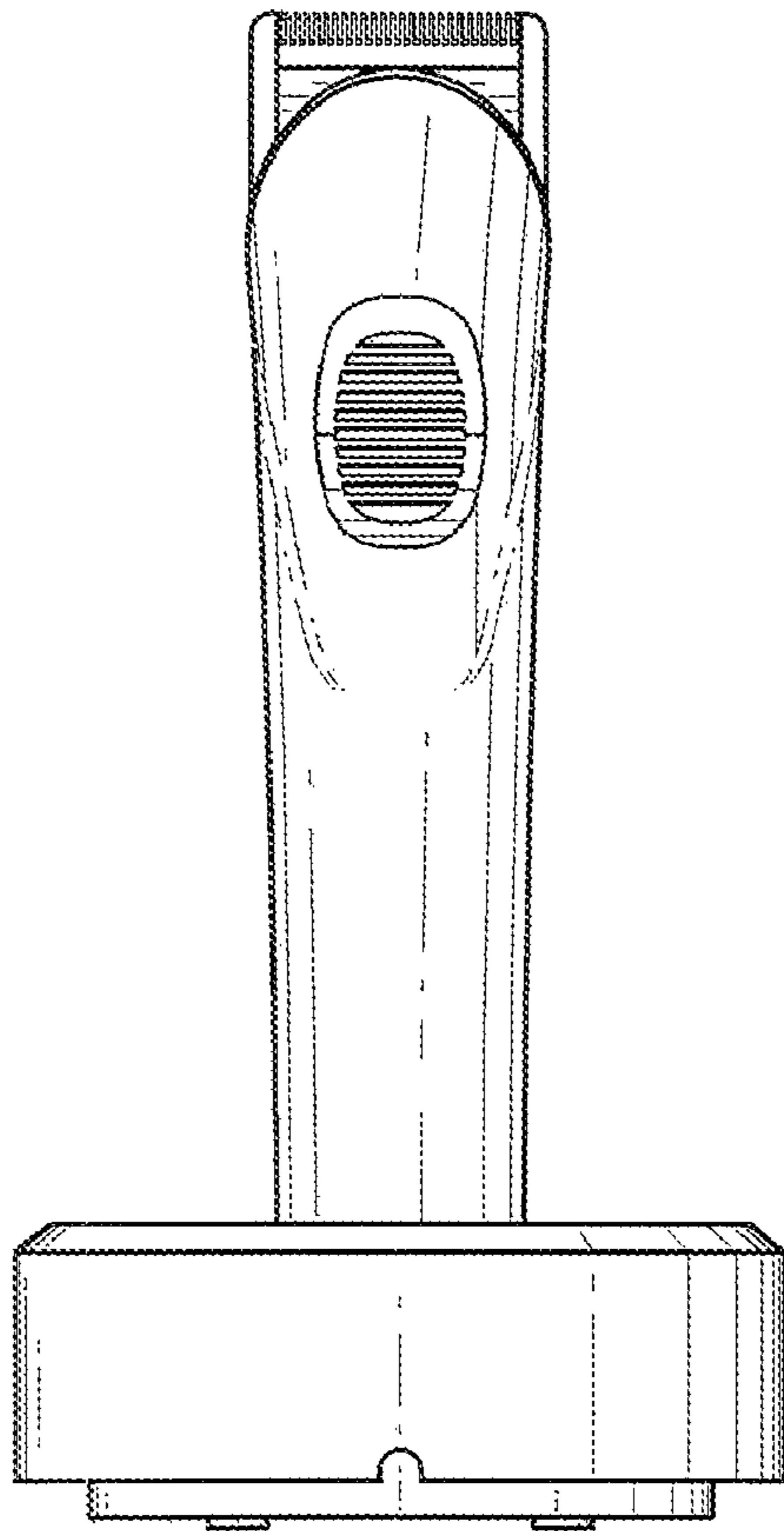


FIG. 14

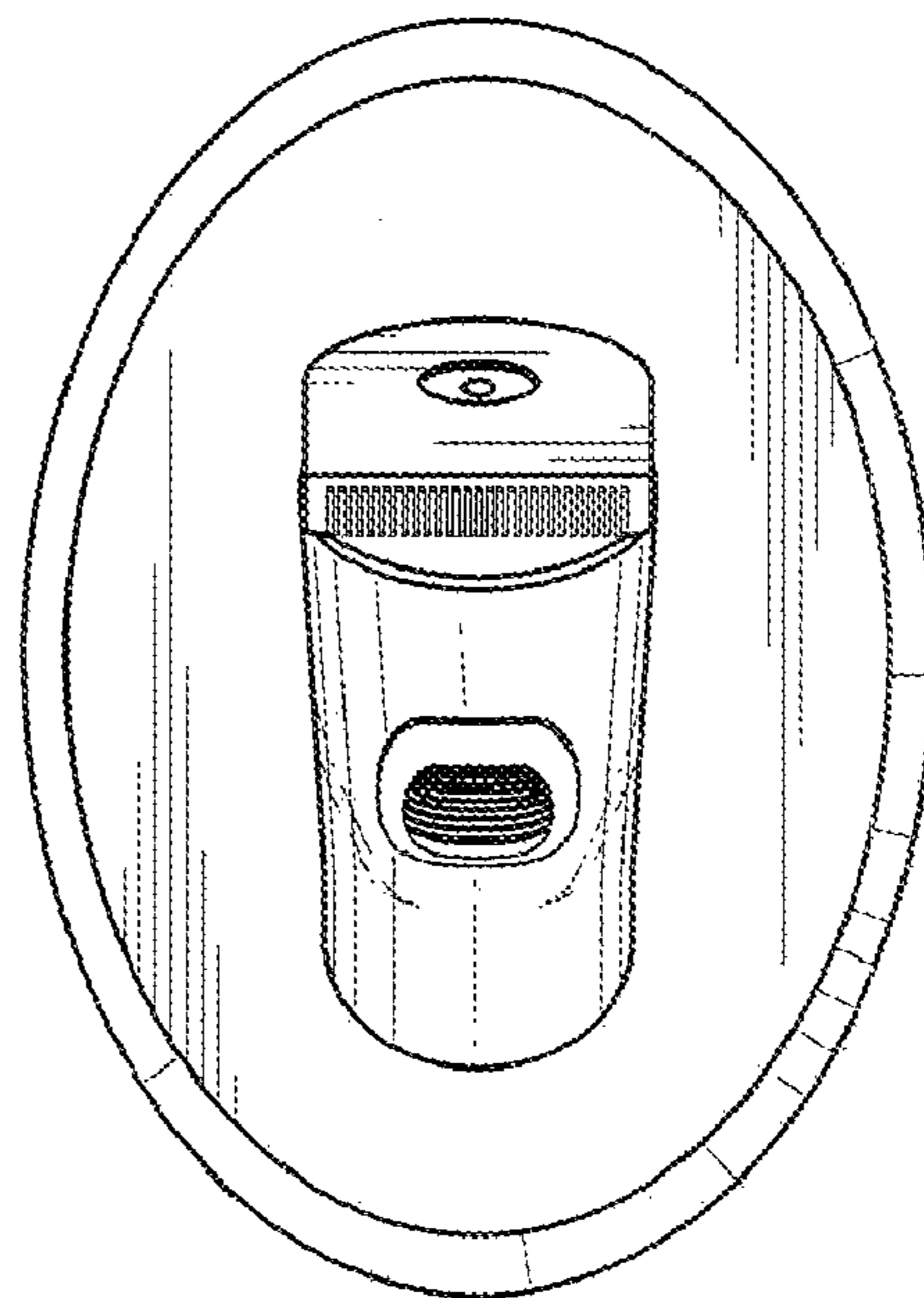


FIG. 15

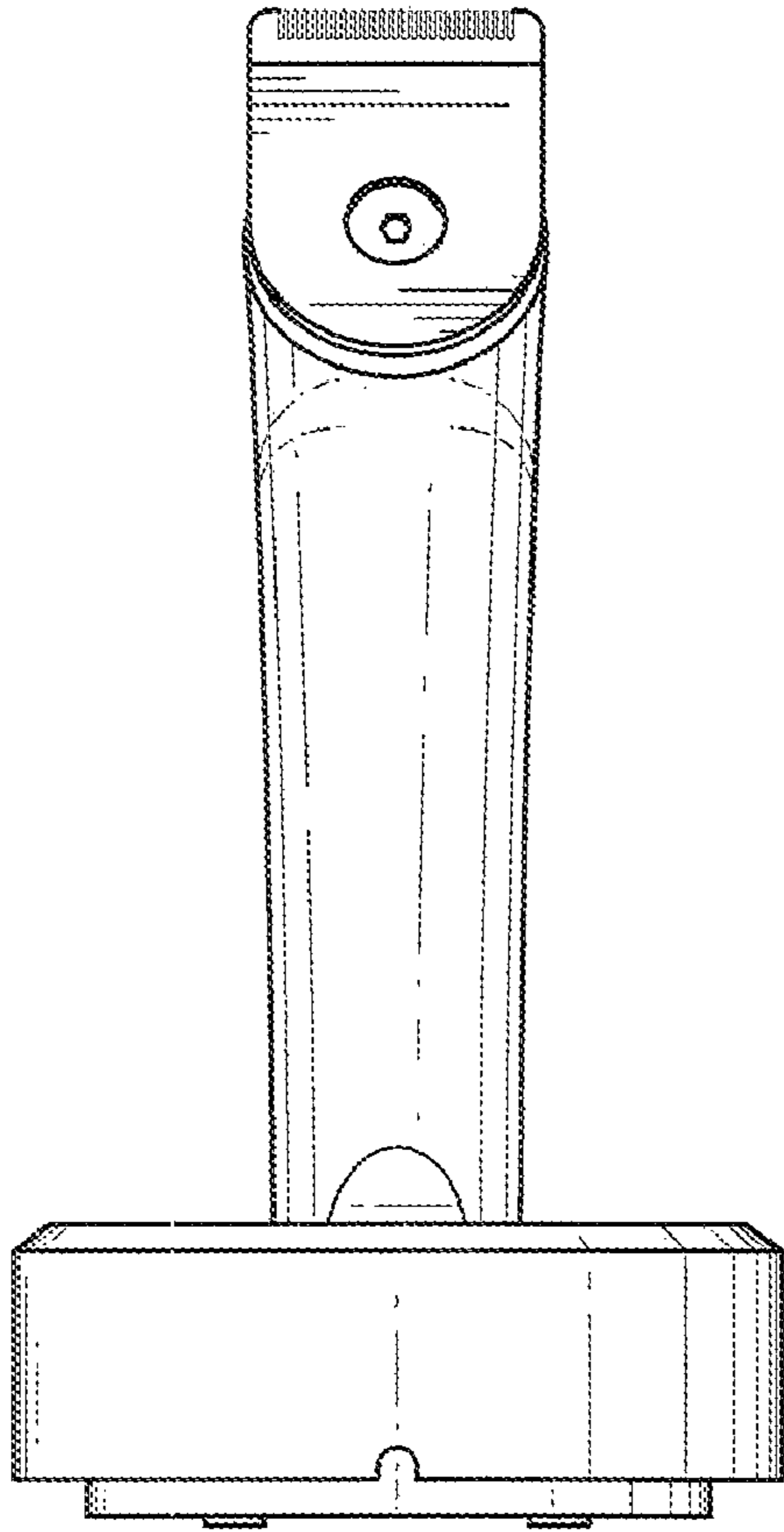


FIG. 16

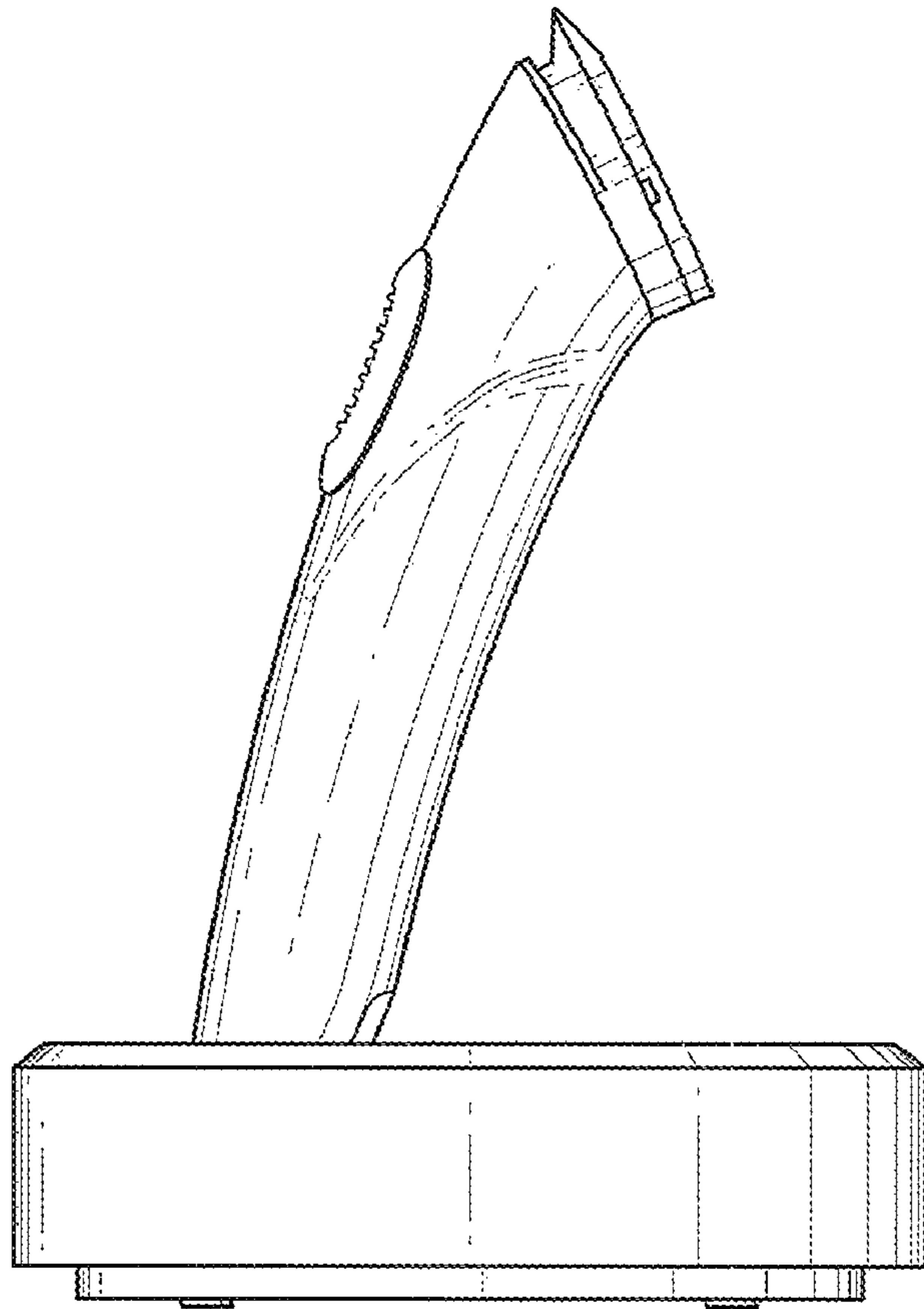


FIG. 17