



US00D586950S

(12) **United States Design Patent**  
**Garner et al.**

(10) **Patent No.:** **US D586,950 S**  
(45) **Date of Patent:** **\*\* Feb. 17, 2009**

(54) **RAIL**  
(75) Inventors: **Mike Garner**, North Barrington, IL (US); **Scott Harold Wilson**, Chicago, IL (US); **Giles David Matthew McWilliam**, Chicago, IL (US); **Marc Rene Walliser**, Chicago, IL (US)

5,833,358 A \* 11/1998 Patik ..... 362/391  
6,716,042 B2 \* 4/2004 Lin ..... 439/110  
D504,526 S \* 4/2005 Perkins et al. .... D25/138  
7,018,072 B2 \* 3/2006 Mier-Langner et al. .... 362/285  
7,063,451 B2 \* 6/2006 Shen ..... 362/648  
D536,822 S \* 2/2007 Pyschos et al. .... D26/138  
2002/0163803 A1 \* 11/2002 Tsai ..... 362/223  
2004/0005798 A1 \* 1/2004 Lin ..... 439/110

(73) Assignee: **Light Corporation**, Grand Haven, MI (US)

\* cited by examiner

(\*\*) Term: **14 Years**

*Primary Examiner*—Freda S. Nunn

*Assistant Examiner*—Kevin K Rudzinski

(21) Appl. No.: **29/280,928**

(74) *Attorney, Agent, or Firm*—Warner Norcross & Judd LLP

(22) Filed: **Jun. 9, 2007**

(57) **CLAIM**

The ornamental design for a rail, as shown and described.

(51) **LOC (9) Cl.** ..... **26-99**

(52) **U.S. Cl.** ..... **D26/138**

**DESCRIPTION**

(58) **Field of Classification Search** ..... D26/75,  
D26/76, 77, 78, 85, 63, 24, 60, 61, 64, 66,  
D26/72, 92, 113, 118, 120, 121, 122, 128,  
D26/138, 140, 141, 142, 145, 152, 155; D12/223;  
362/219, 217, 250, 418, 147, 220, 221, 222,  
362/225, 455, 648, 232, 269, 270, 277, 432,  
362/282, 285, 287, 319, 419, 430, 330, 346,  
362/368, 370, 371

FIG. 1 is a perspective view of the rail embodying the new design;

FIG. 2 is a right side view, the left side being a mirror image thereof;

FIG. 3 is a front view thereof, the rear view being a mirror image thereof;

FIG. 4 is a top view thereof; and,

FIG. 5 is a bottom view thereof.

The broken lines shown are included for the purpose of illustrating environmental structure and form no part of the claimed design. The jagged broken lines shown in FIGS. 1, 2, 4 and 5 indicate that the design has no particular length and forms no part of the claimed design.

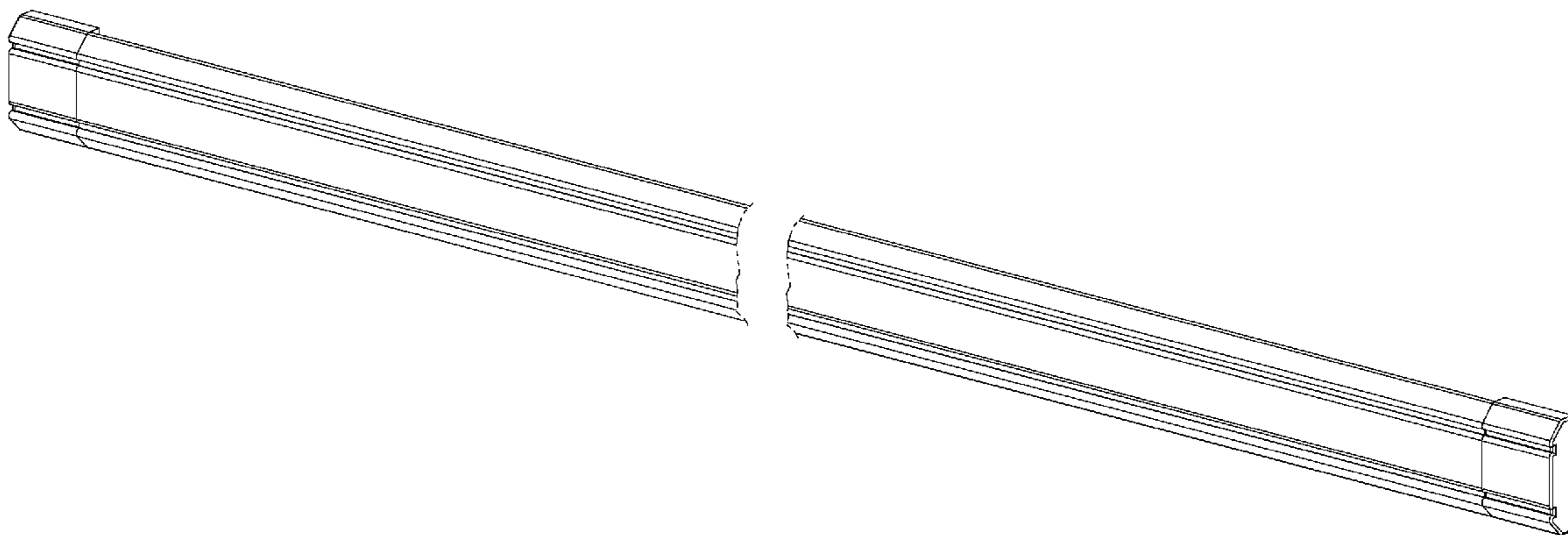
See application file for complete search history.

(56) **References Cited**

**U.S. PATENT DOCUMENTS**

3,131,871 A \* 5/1964 Foulds ..... 362/146  
5,041,953 A \* 8/1991 Dannatt ..... 362/219  
5,455,754 A \* 10/1995 Hoffner ..... 362/250  
5,707,136 A \* 1/1998 Byers ..... 362/145  
D399,594 S \* 10/1998 Patik ..... D26/138

**1 Claim, 3 Drawing Sheets**



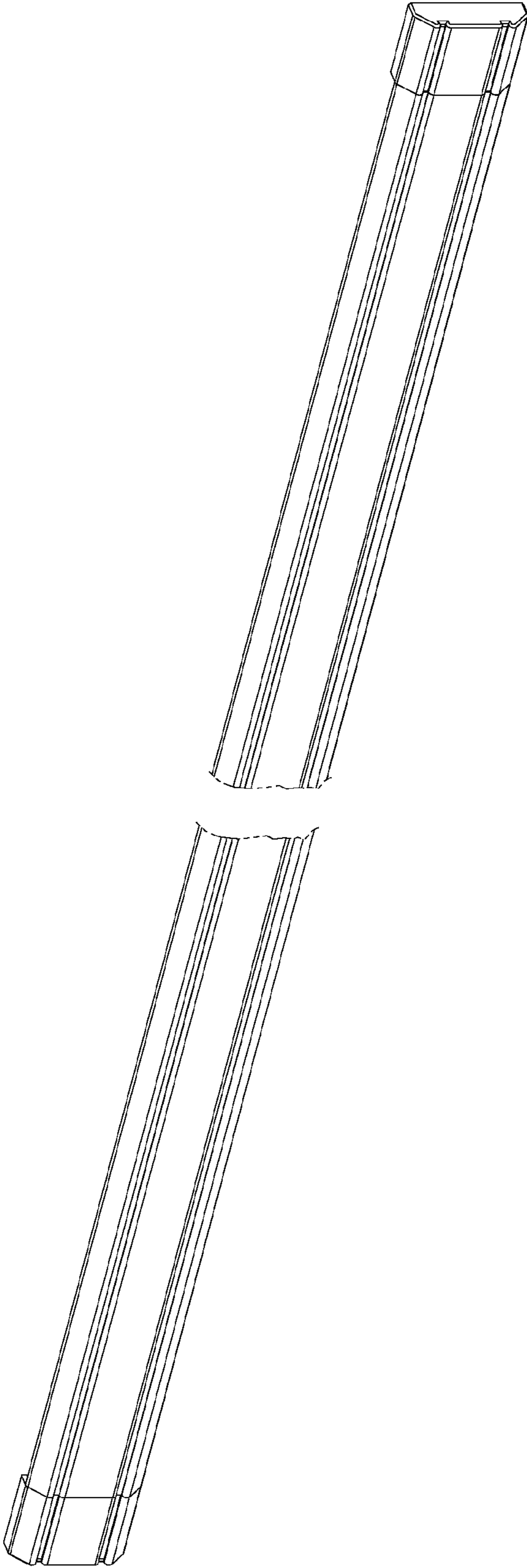


Fig. 1

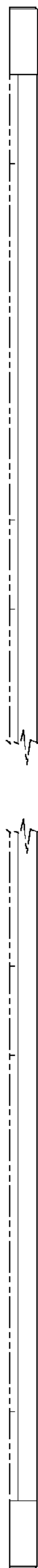


Fig. 2



Fig. 3



Fig. 4



Fig. 5