



US00D586949S

(12) **United States Design Patent**  
**Martin et al.**

(10) **Patent No.:** **US D586,949 S**

(45) **Date of Patent:** **\*\* Feb. 17, 2009**

(54) **FIXTURE ELEMENT**

6,634,139 B1 \* 10/2003 Metz ..... 49/13  
7,101,064 B2 \* 9/2006 Ancel ..... 362/427

(75) Inventors: **Cheryl A. Martin**, Watertown, WI (US);  
**Robert Kenneth Yasugi Fletcher**,  
Racine, WI (US); **Andrew J. Mauk**,  
Milwaukee, WI (US); **Kristie L.**  
**Anderson**, Germantown, WI (US);  
**Mark A. Gilbertson**, Prairie du Sac, WI  
(US); **Michael J. Brock**, Madison, WI  
(US)

(73) Assignee: **Phoenix II, Inc.**, Milwaukee, WI (US)

(\*\*) Term: **14 Years**

(21) Appl. No.: **29/279,291**

(22) Filed: **Apr. 25, 2007**

(51) **LOC (9) Cl.** ..... **26-99**

(52) **U.S. Cl.** ..... **D26/128**

(58) **Field of Classification Search** ..... D26/50,  
D26/63, 138, 121, 188, 128, 156, 113, 24,  
D26/25, 60, 122, 120, 119, 111, 91, 79, 74,  
D26/72, 68, 61, 62, 67, 155, 123, 124, 129,  
D26/137, 139, 140, 141, 142, 150, 151, 152,  
D26/153; 362/153, 153.1, 427, 261, 346,  
362/121, 147, 277, 285, 319, 320, 351, 356,  
362/359, 364, 365

See application file for complete search history.

(56) **References Cited**

**U.S. PATENT DOCUMENTS**

4,238,816	A *	12/1980	Merlo	.....	362/279
4,355,350	A *	10/1982	Mader	.....	362/347
D312,885	S *	12/1990	Louis	.....	D26/60
D322,862	S *	12/1991	Miller	.....	D26/63
5,258,898	A *	11/1993	Thornton	.....	362/394
D360,960	S *	8/1995	Wedell et al.	.....	D26/63
5,651,606	A *	7/1997	Krogman	.....	362/96
5,709,458	A	1/1998	Metz	.....	
D437,443	S *	2/2001	Lin	.....	D26/63
6,206,546	B1 *	3/2001	Krogman	.....	362/267
D470,962	S *	2/2003	Chen	.....	D26/63

**OTHER PUBLICATIONS**

Brochure for Versa Light XL, a product of DL Manufacturing, www.dimanufacturing.com. Admitted prior art.  
Brochure for Heavy Duty and Standard Modular Loading Dock Lights, and Loading Dock Lights, a Light Selection Chart and illumination Level. Admitted prior art.  
Brochure for Halogen Dock Light Manufactured by Day Brite Lighting, www.daybritelighting.com. Admitted prior art.

\* cited by examiner

*Primary Examiner*—Freda S. Nunn

*Assistant Examiner*—Kevin K Rudzinski

(74) *Attorney, Agent, or Firm*—Quarles & Brady LLP

(57) **CLAIM**

The ornamental design for a fixture element, as shown and described.

**DESCRIPTION**

In a preferred embodiment, the nature of this product is a fixture element in the form of a housing and/or housing and lens for a lighting device, such as a wall-mounted light fixture with a flexible support arm.

FIG. 1 is a right, top, front perspective view of a fixture element according to our new design;

FIG. 2 is a right side elevational view thereof, the left side elevational view thereof being a mirror image of the right side shown;

FIG. 3 is a top plan view thereof;

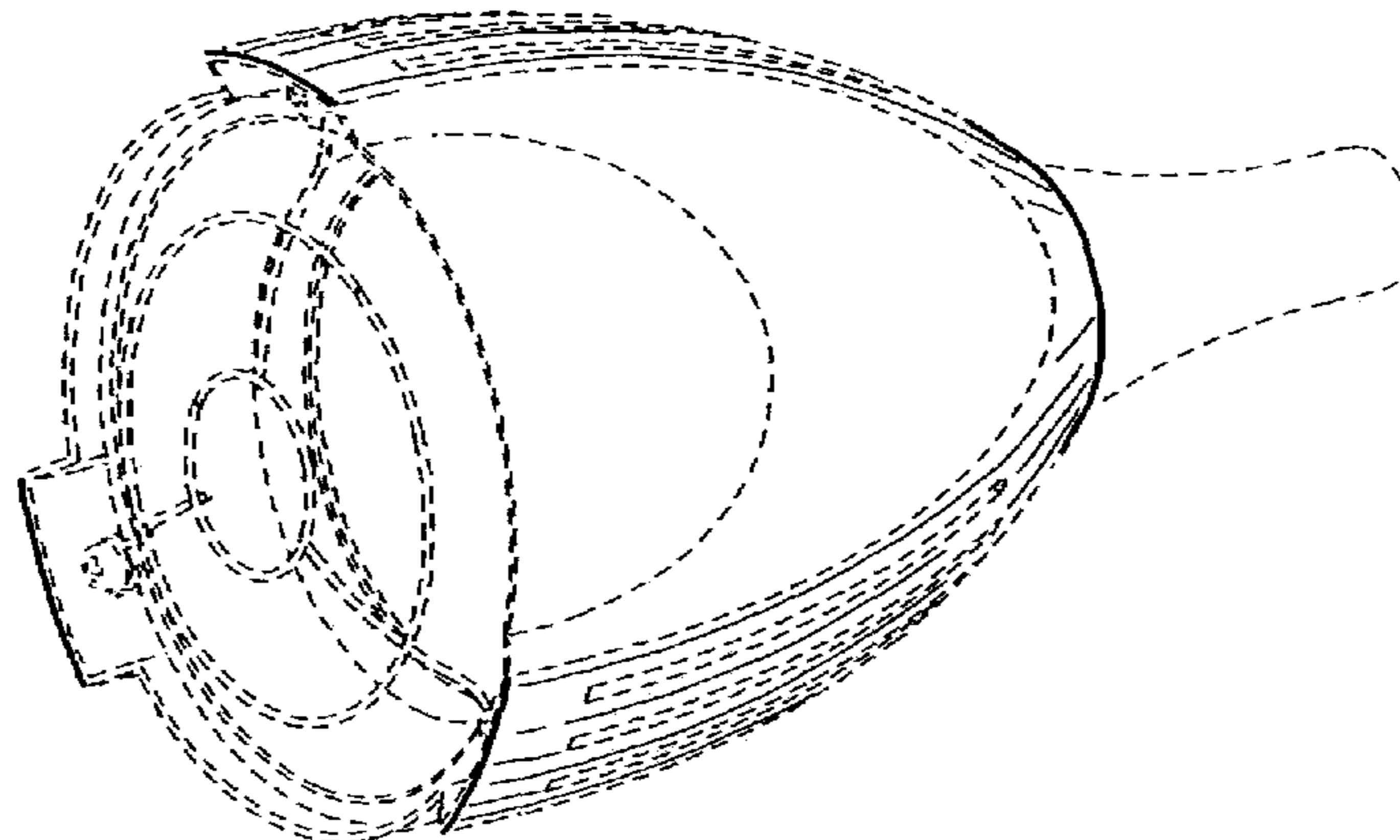
FIG. 4 is a bottom plan view thereof;

FIG. 5 is a front elevational view thereof; and,

FIG. 6 is a rear elevational view thereof.

The portions of the design shown in broken lines are shown for the purpose of illustrating environmental structures only and form no part of the claimed design. The broken lines immediately adjacent to the shaded surfaces represent boundary lines and form no part of the claimed design.

**1 Claim, 3 Drawing Sheets**



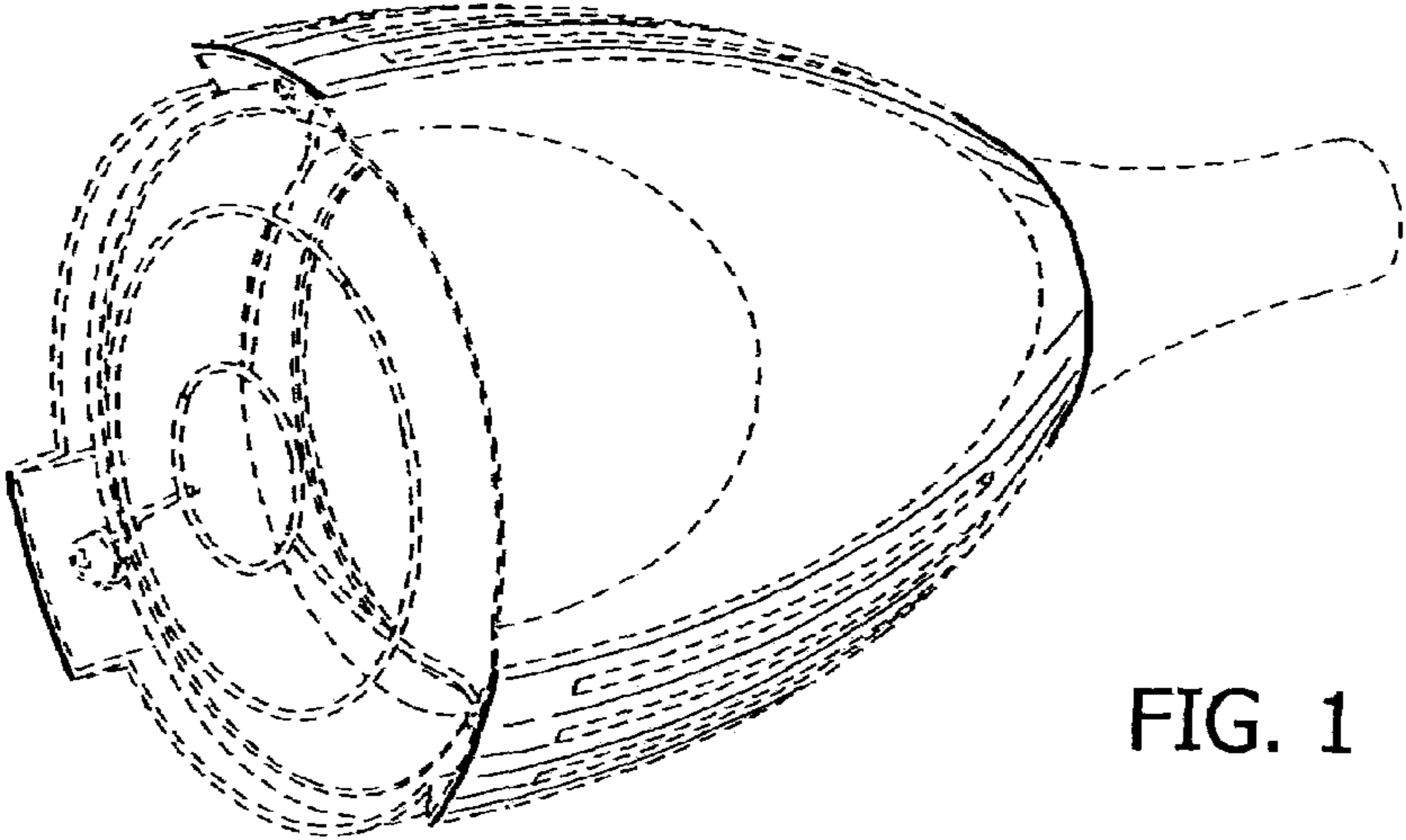


FIG. 1

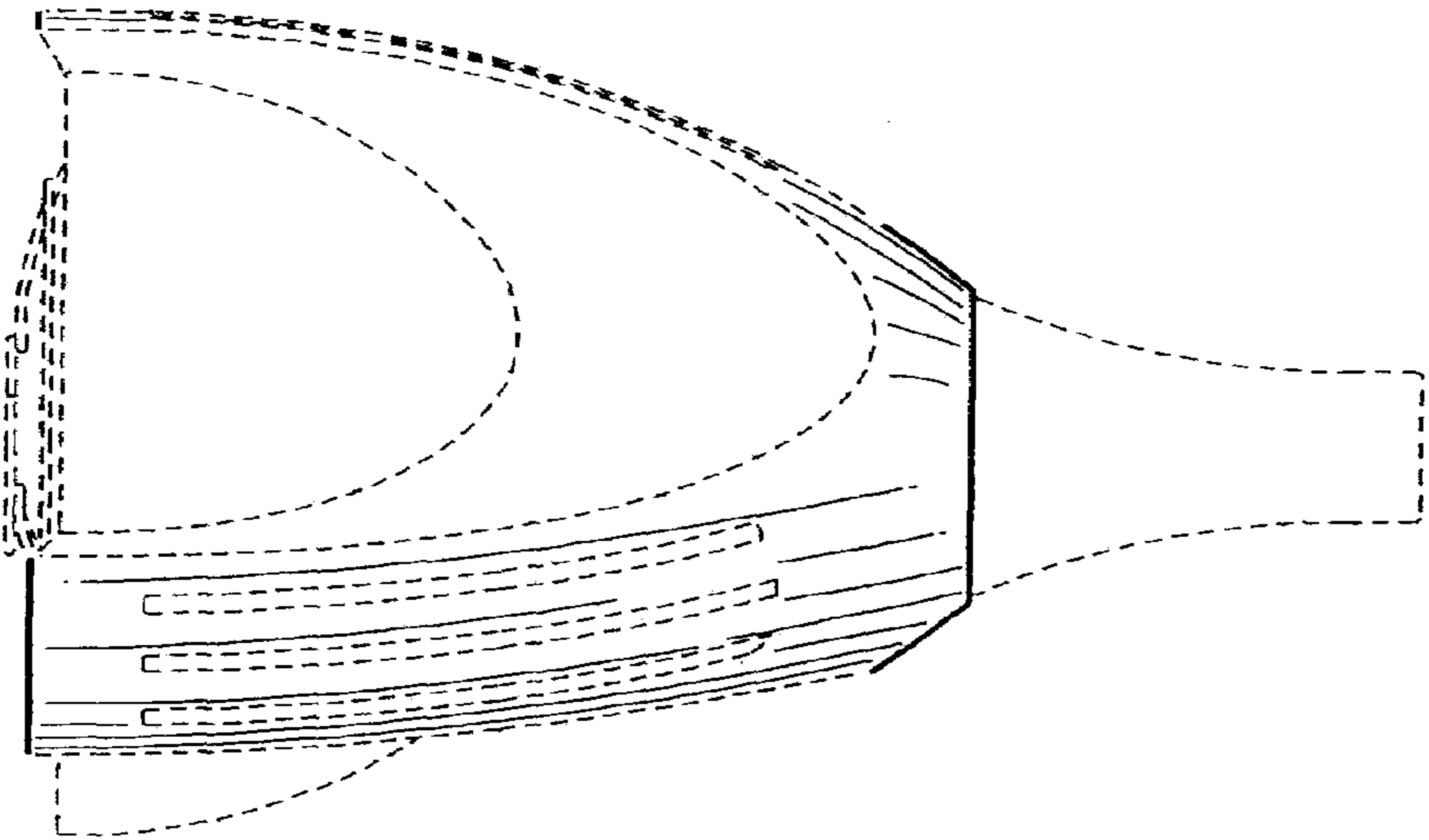
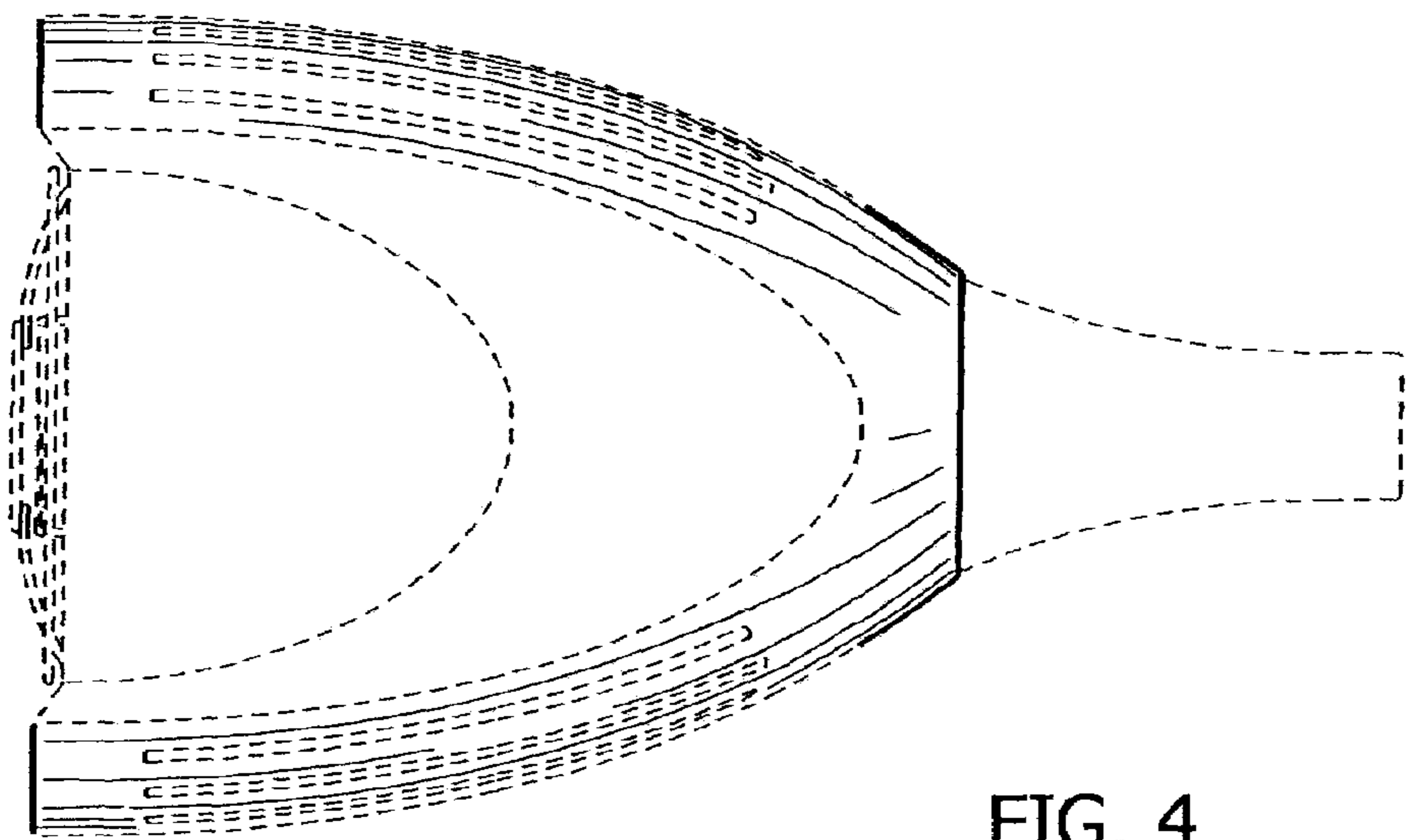
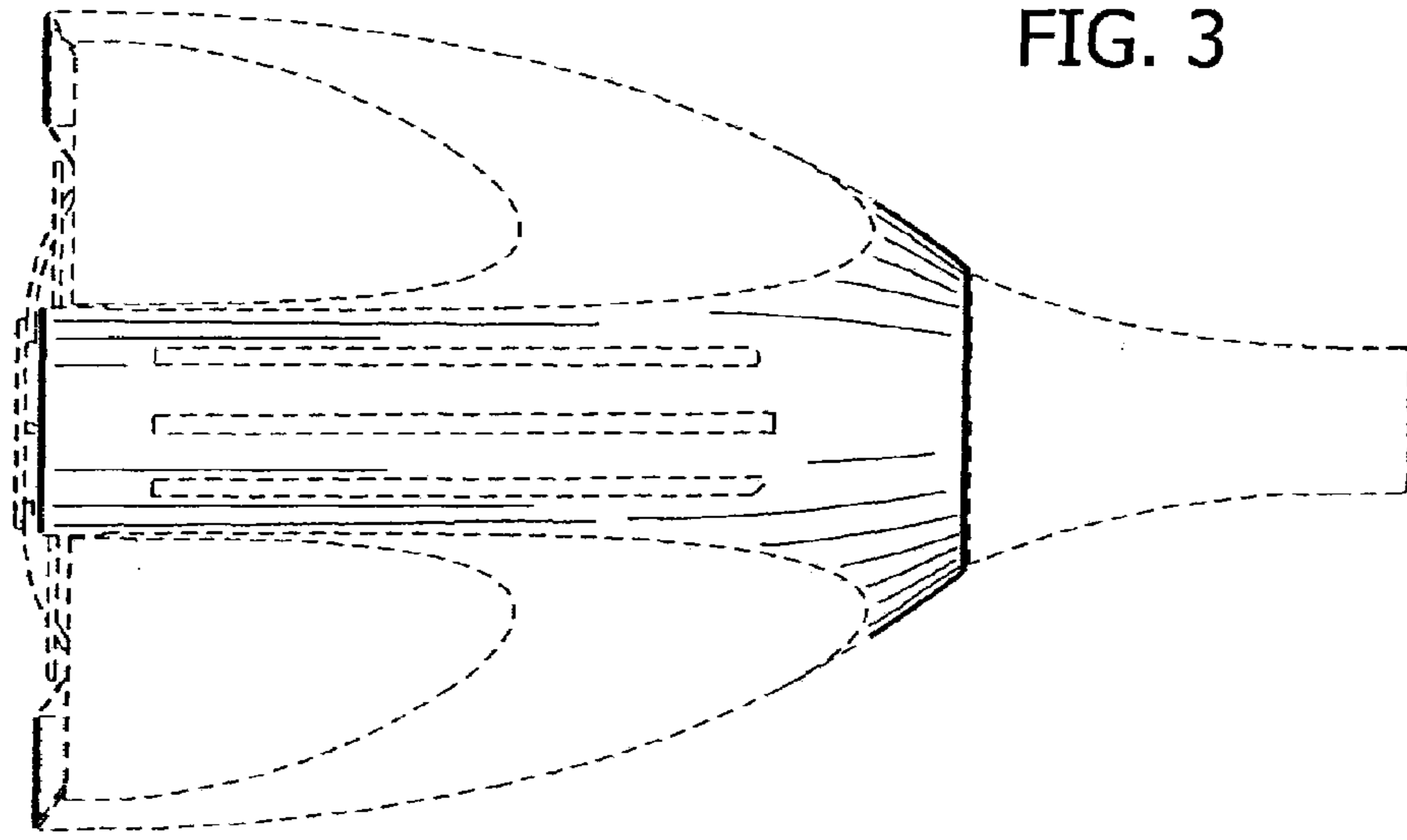


FIG. 2



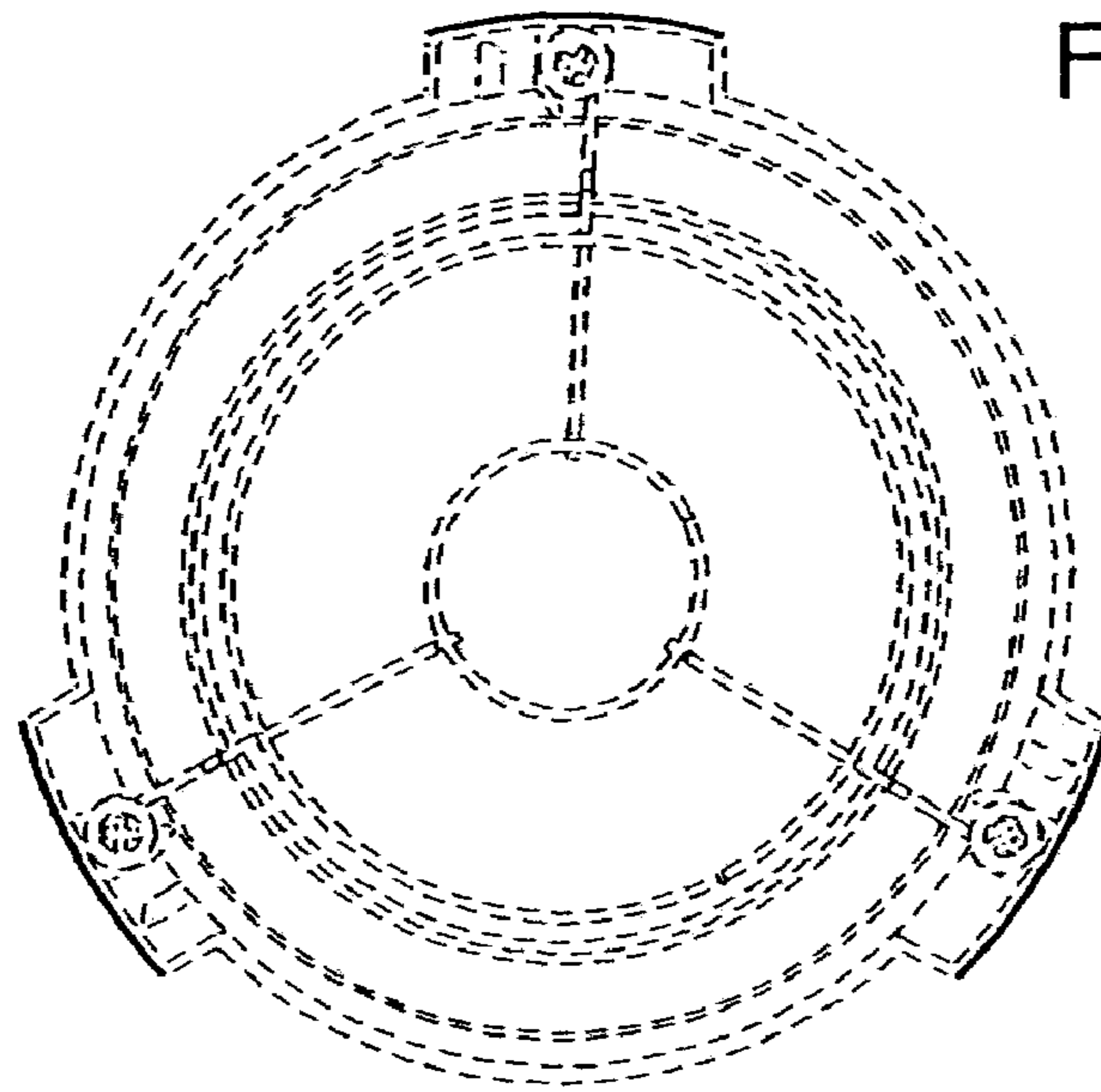


FIG. 5

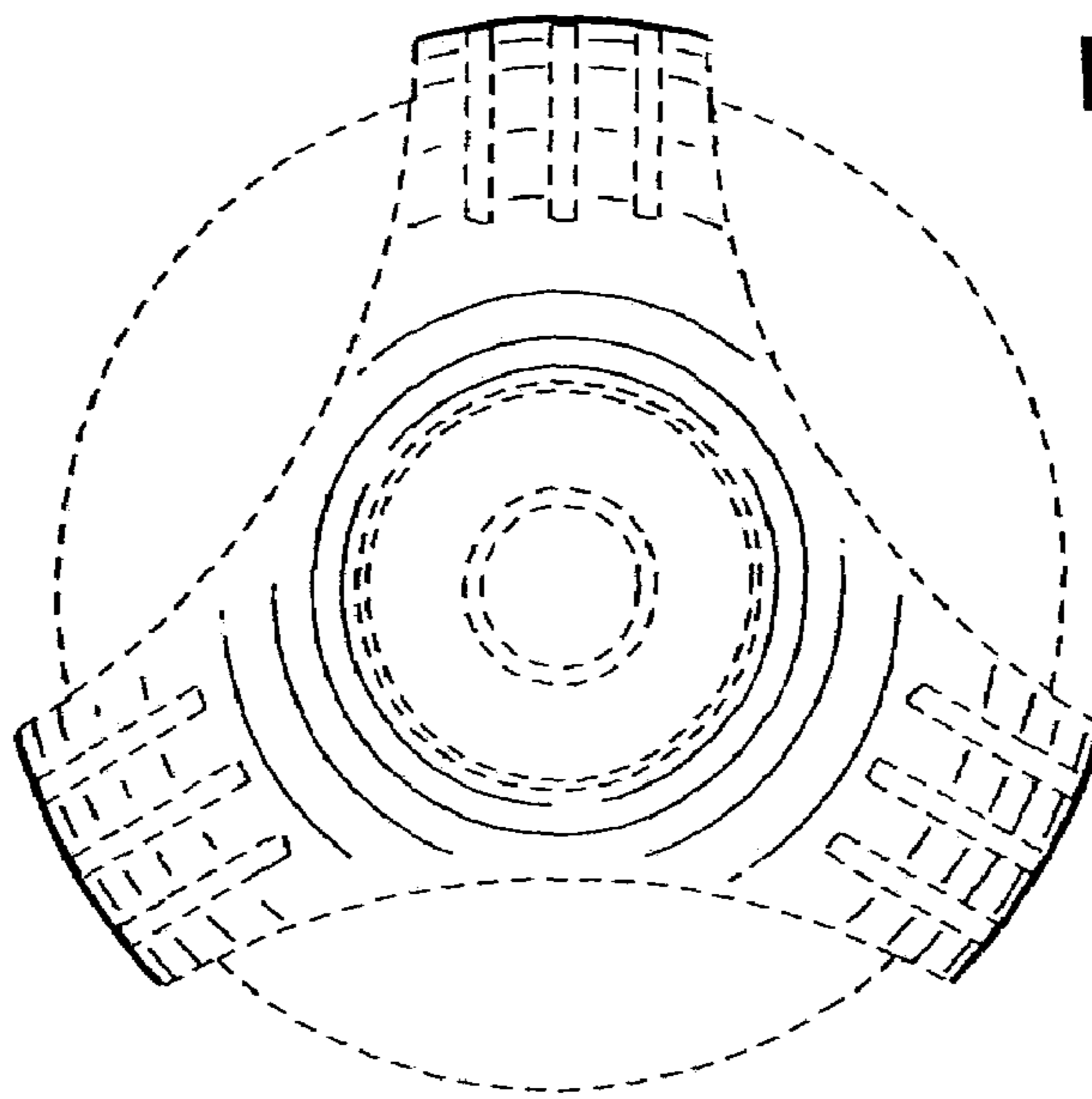


FIG. 6

UNITED STATES PATENT AND TRADEMARK OFFICE  
**CERTIFICATE OF CORRECTION**

PATENT NO. : Des. 586,949 S  
APPLICATION NO. : 29/279291  
DATED : February 17, 2009  
INVENTOR(S) : Cheryl A. Martin et al.

Page 1 of 1

It is certified that error appears in the above-identified patent and that said Letters Patent is hereby corrected as shown below:

Title Page, item [75] Inventor "Robert Kenneth Yasugi Fletcher" should be changed to  
--Robert Kenneth Yasuji Fletcher--

Signed and Sealed this

First Day of September, 2009



David J. Kappos  
*Director of the United States Patent and Trademark Office*