



US00D586934S

(12) **United States Design Patent**  
**Ogashiwa**

(10) **Patent No.:** **US D586,934 S**

(45) **Date of Patent:** **\*\* Feb. 17, 2009**

(54) **LIGHTING APPARATUS**

(75) Inventor: **Yuta Ogashiwa**, Yamagata (JP)

(73) Assignee: **Yamagata Promotional Organization for Industrial Technology**, Yamagata (JP)

(\*\*) Term: **14 Years**

(21) Appl. No.: **29/282,617**

(22) Filed: **Jul. 25, 2007**

(30) **Foreign Application Priority Data**

Jan. 26, 2007 (JP) ..... 2007-001476

(51) **LOC (9) Cl.** ..... **26-05**

(52) **U.S. Cl.** ..... **D26/63**

(58) **Field of Classification Search** ..... D26/60-66;  
362/227, 237-239, 249, 250, 283, 285, 287,  
362/367, 427, 431

See application file for complete search history.

(56) **References Cited**

**U.S. PATENT DOCUMENTS**

3,140,053	A *	7/1964	Lowell	.....	362/18
3,936,023	A *	2/1976	Clifton	.....	248/228.5
D246,677	S *	12/1977	Nigg	.....	D26/65
4,179,726	A *	12/1979	Aron	.....	362/17
5,347,432	A *	9/1994	Chiavetta	.....	362/18
D387,238	S *	12/1997	Rodgers	.....	D7/324
D418,618	S *	1/2000	Shuenn-Fa	.....	D26/65
D420,759	S *	2/2000	Shuenn-Fa	.....	D26/65
D433,178	S *	10/2000	Donato	.....	D26/118
D437,954	S *	2/2001	Tang	.....	D26/63

**FOREIGN PATENT DOCUMENTS**

JP	10-169075	A	6/1998
JP	2001-325805	A	11/2001
JP	2004-319147	A	11/2004

\* cited by examiner

*Primary Examiner*—Cathron C Brooks

*Assistant Examiner*—Barbara Fox

(74) *Attorney, Agent, or Firm*—Westerman, Hattori, Daniels & Adrian, LLP.

(57) **CLAIM**

The ornamental design for a lighting apparatus, as shown and described.

**DESCRIPTION**

FIG. 1 is a front view of a lighting apparatus showing the new design, a rear view being a mirror image thereof;

FIG. 2 is a right side view thereof, a left side view being a mirror image thereof;

FIG. 3 is a plan view thereof; and,

FIG. 4 is a bottom view thereof;

FIG. 5 is a cross sectional view thereof taken along line 5—5 of FIG. 3;

FIG. 6 is a front view of the design of FIG. 1 with the movable panels rotated;

FIG. 7 is a bottom view of the design of FIG. 1, showing the lights in their illuminated form of use, with the dotted lines indicating the pattern of light emitted;

FIG. 8 is a top perspective view thereof;

FIG. 9 is a perspective view thereof, with the apparatus in an alternate position;

FIG. 10 is a perspective view thereof, in another alternate position, with a single panel showing the lights in their illuminated form of use;

FIG. 11 is a perspective view of FIG. 7; and,

FIG. 12 is a top perspective view thereof, showing the lighting apparatus in use, with the hanging pipe shown in broken lines.

The dotted lines in the drawings represent the outline of light emitted by the lighting apparatus, and the broken lines represent environmental structure, both of which form no part of the claimed design.

**1 Claim, 12 Drawing Sheets**

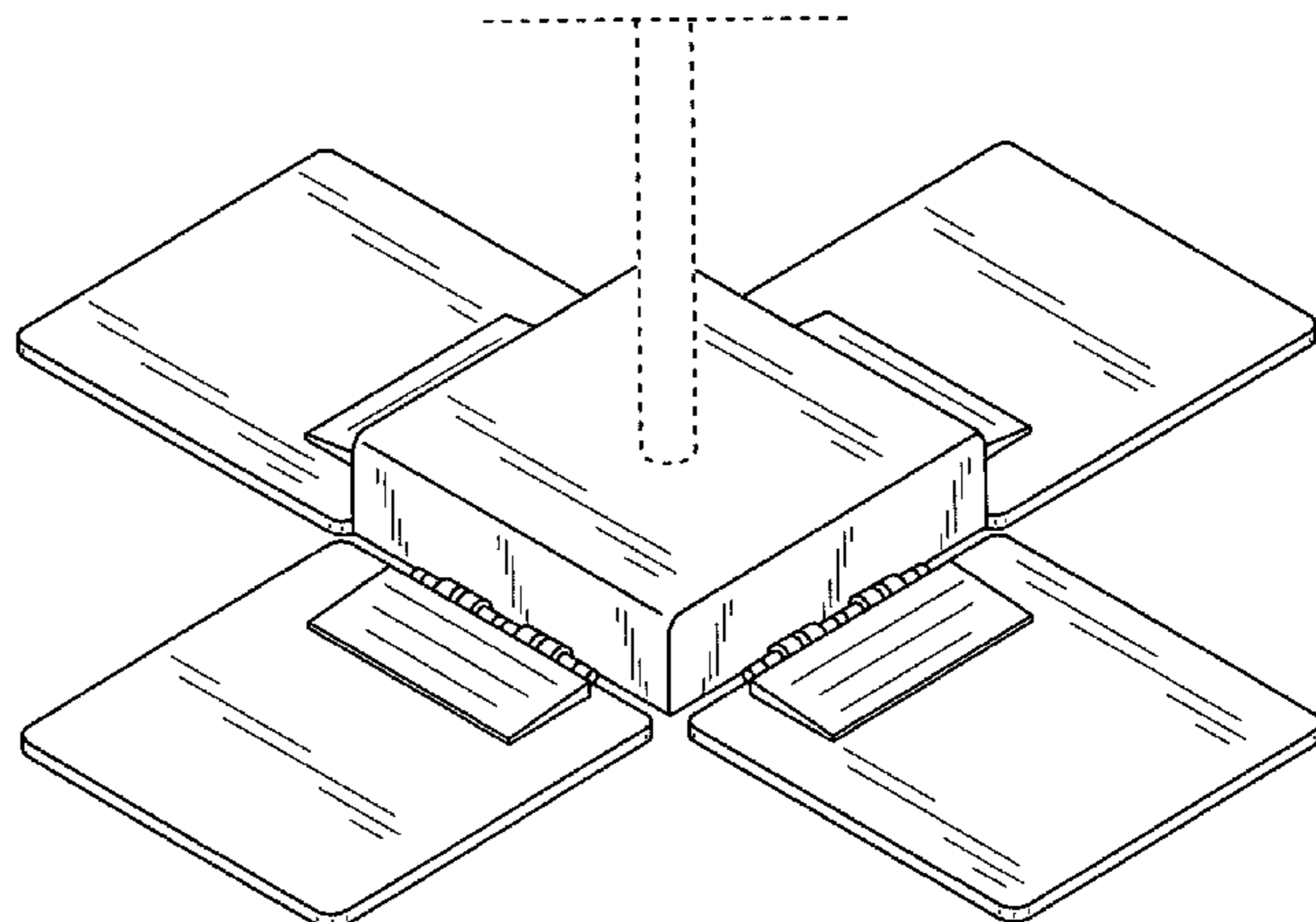
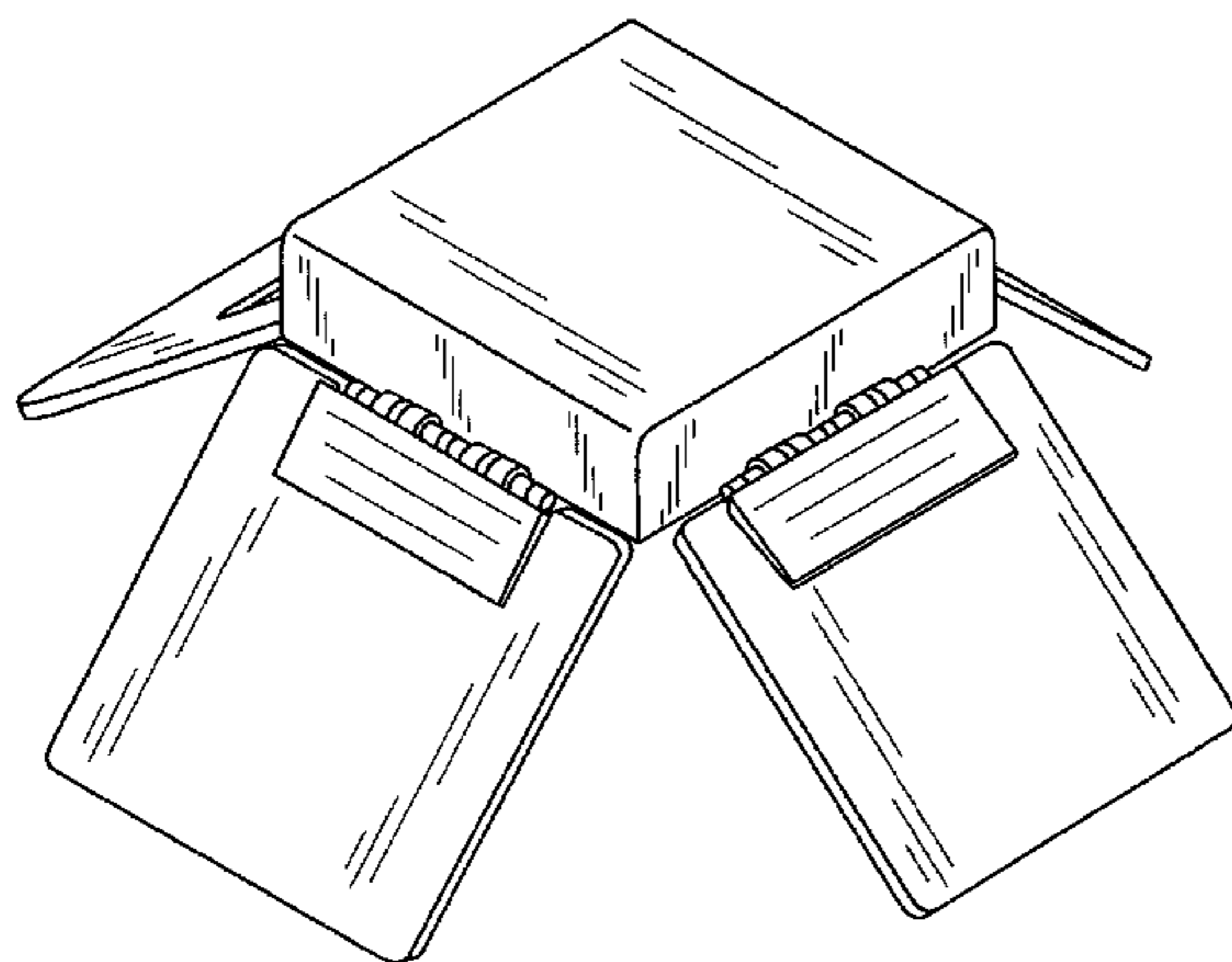


Fig.1



Fig.2



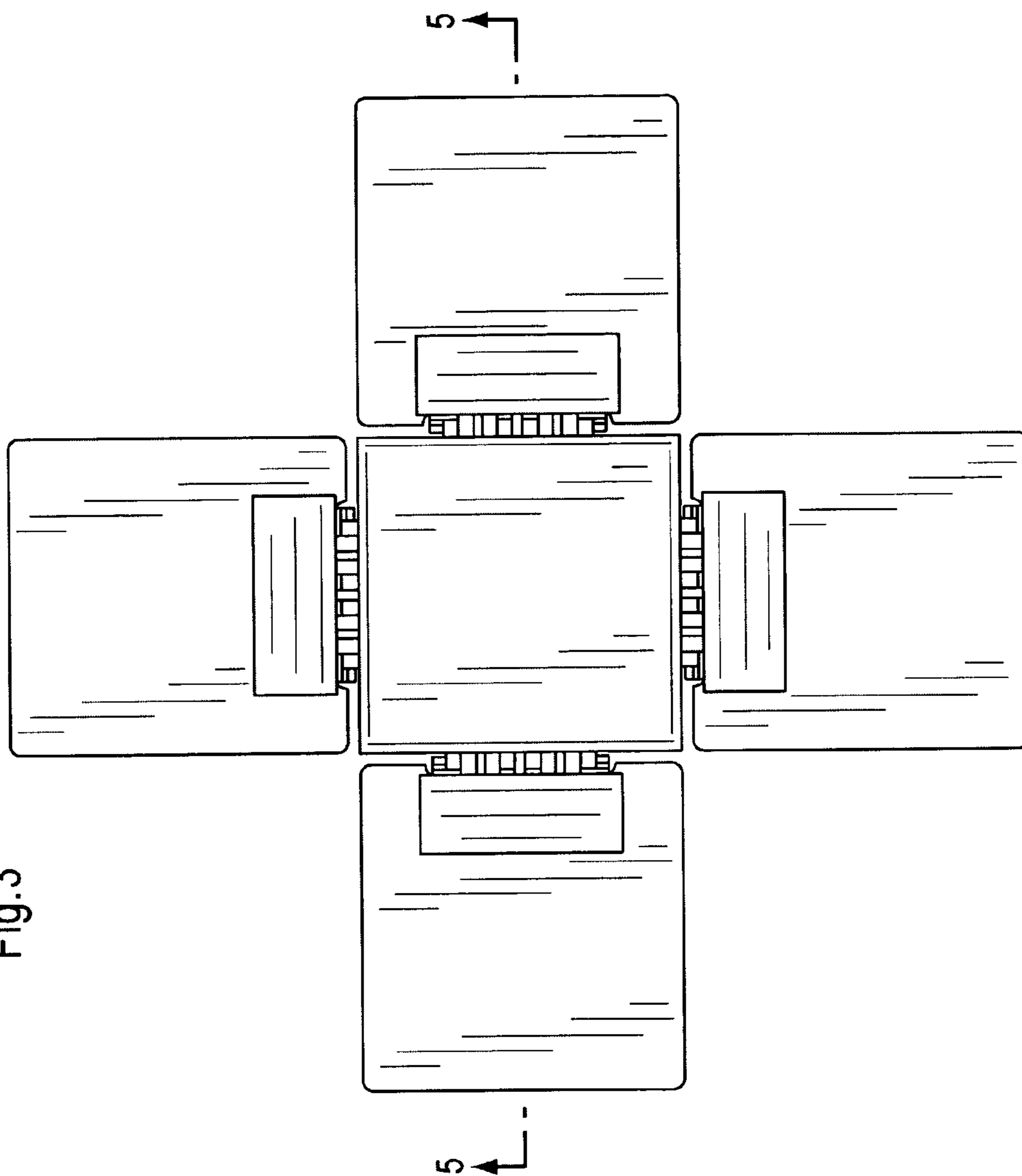


Fig. 3

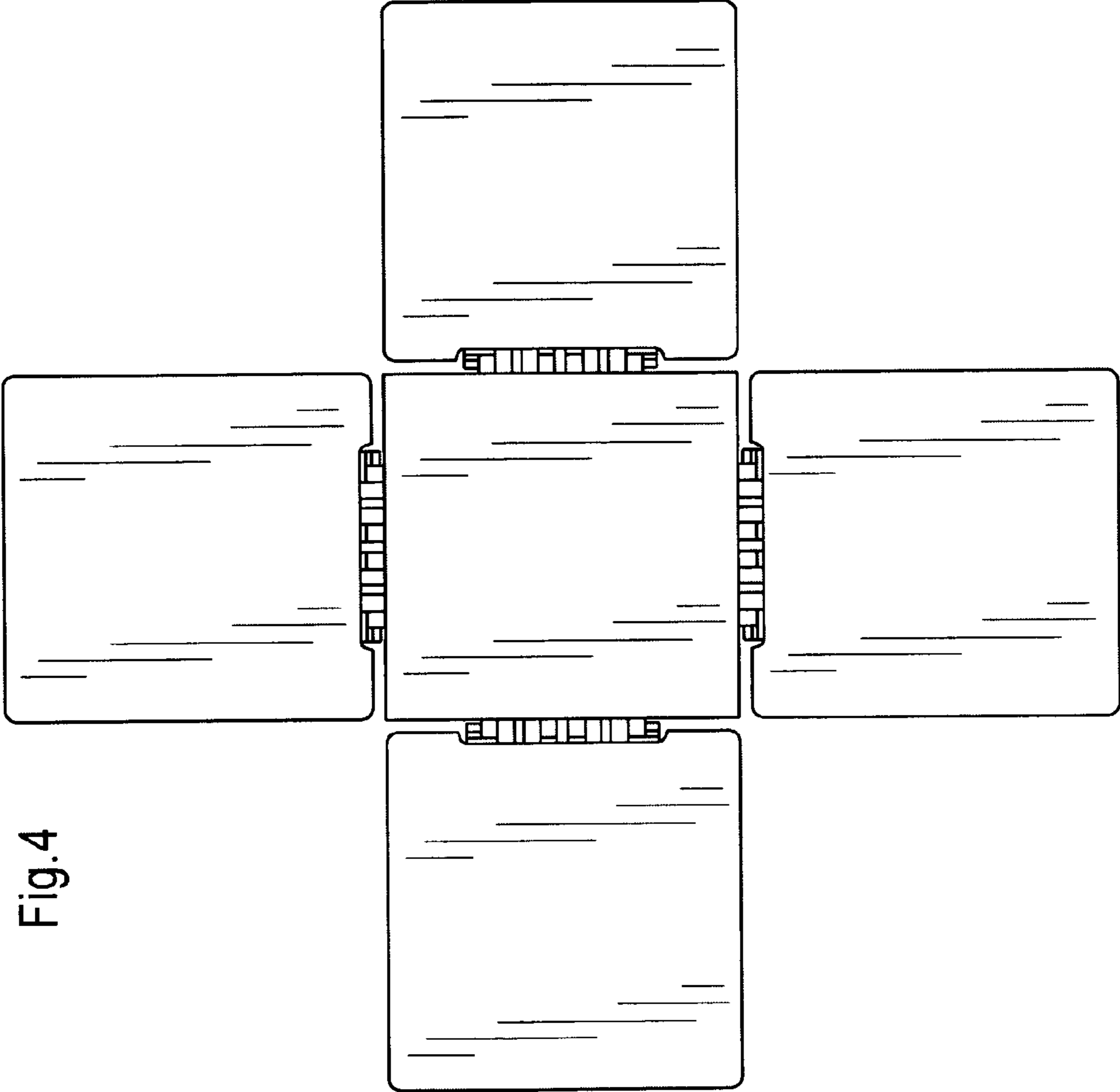


Fig. 4

Fig. 5

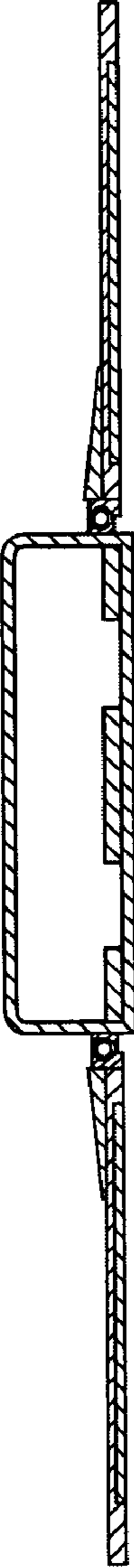
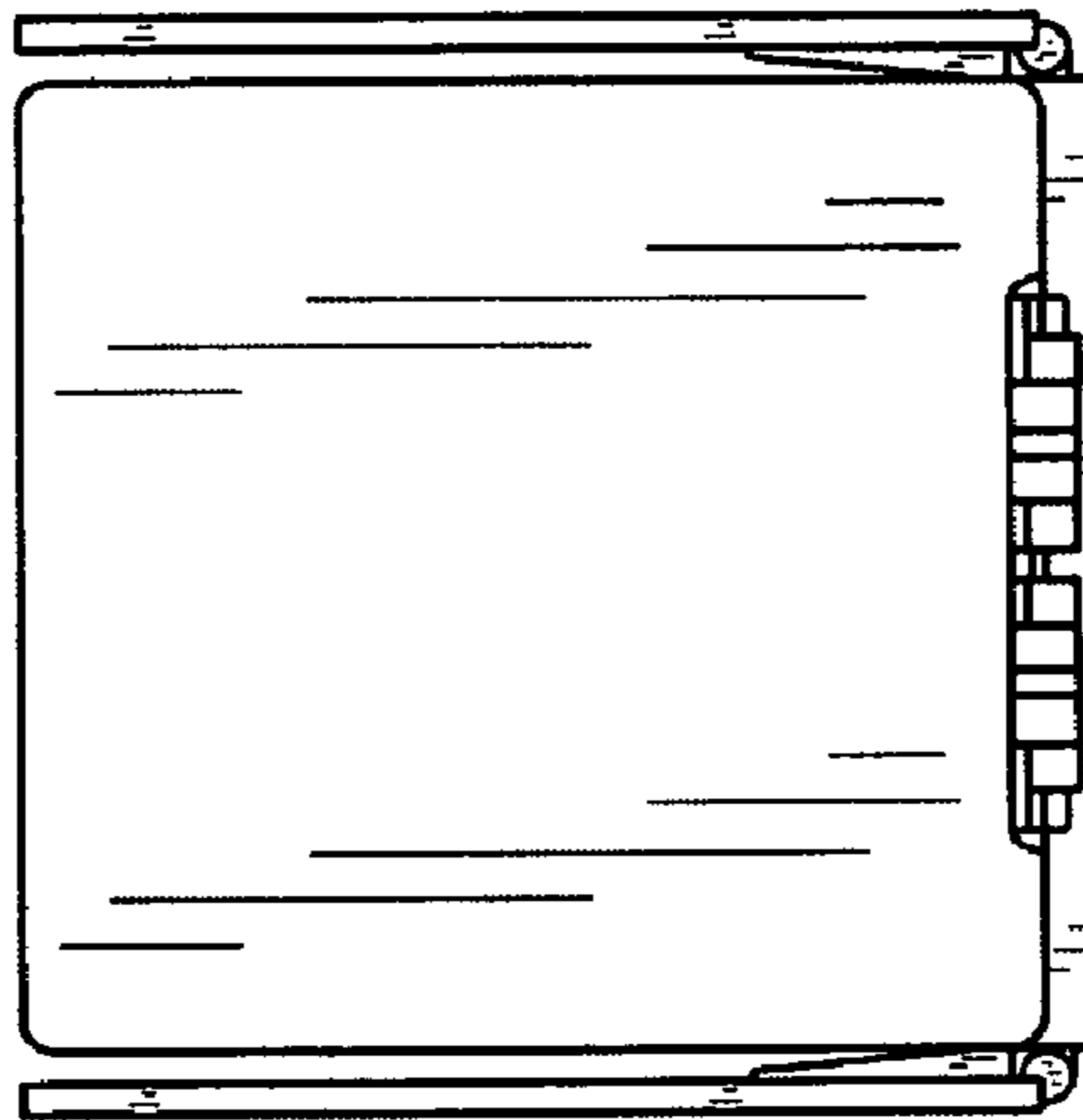


Fig. 6



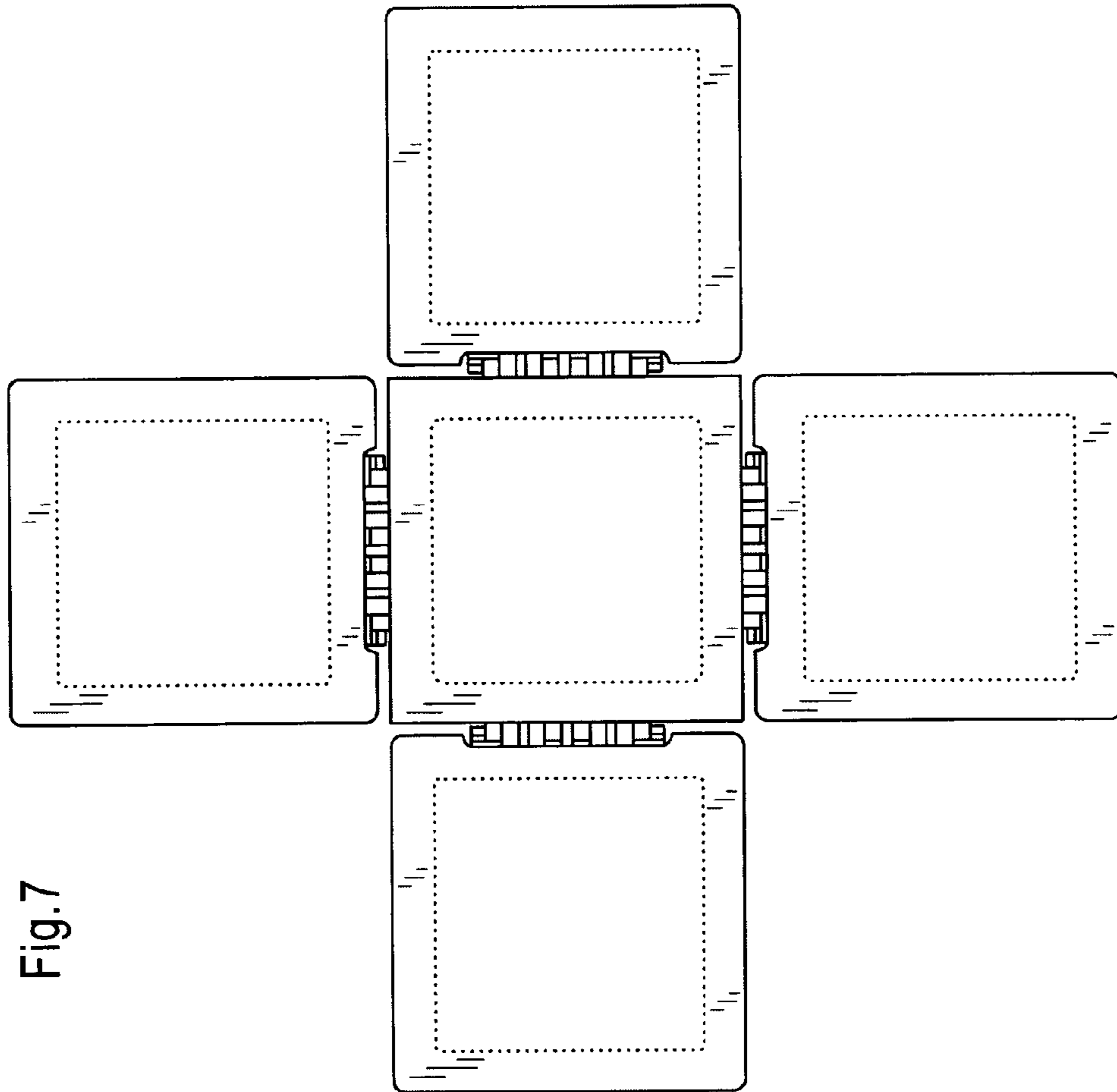


Fig.7



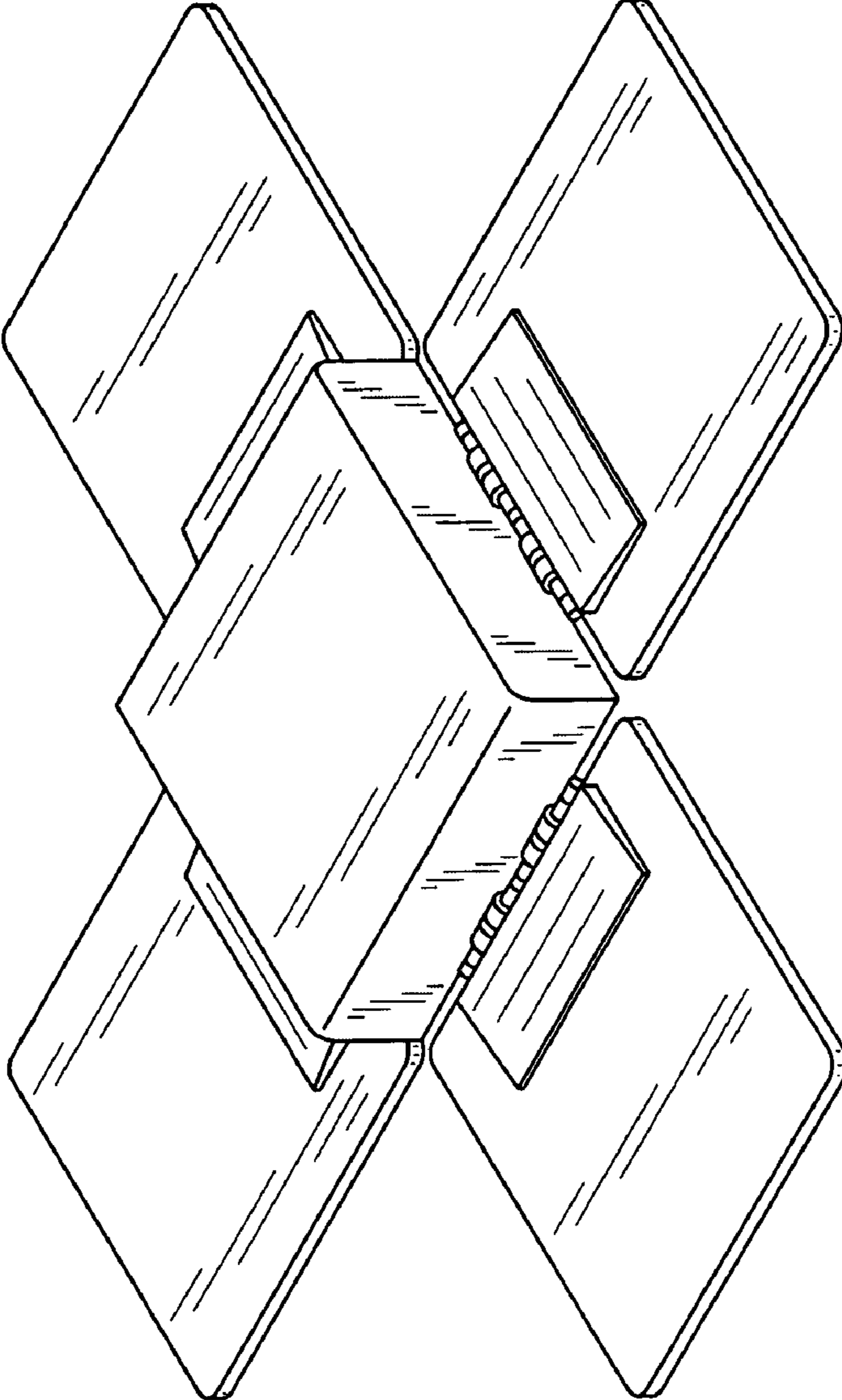


Fig.8

Fig. 9

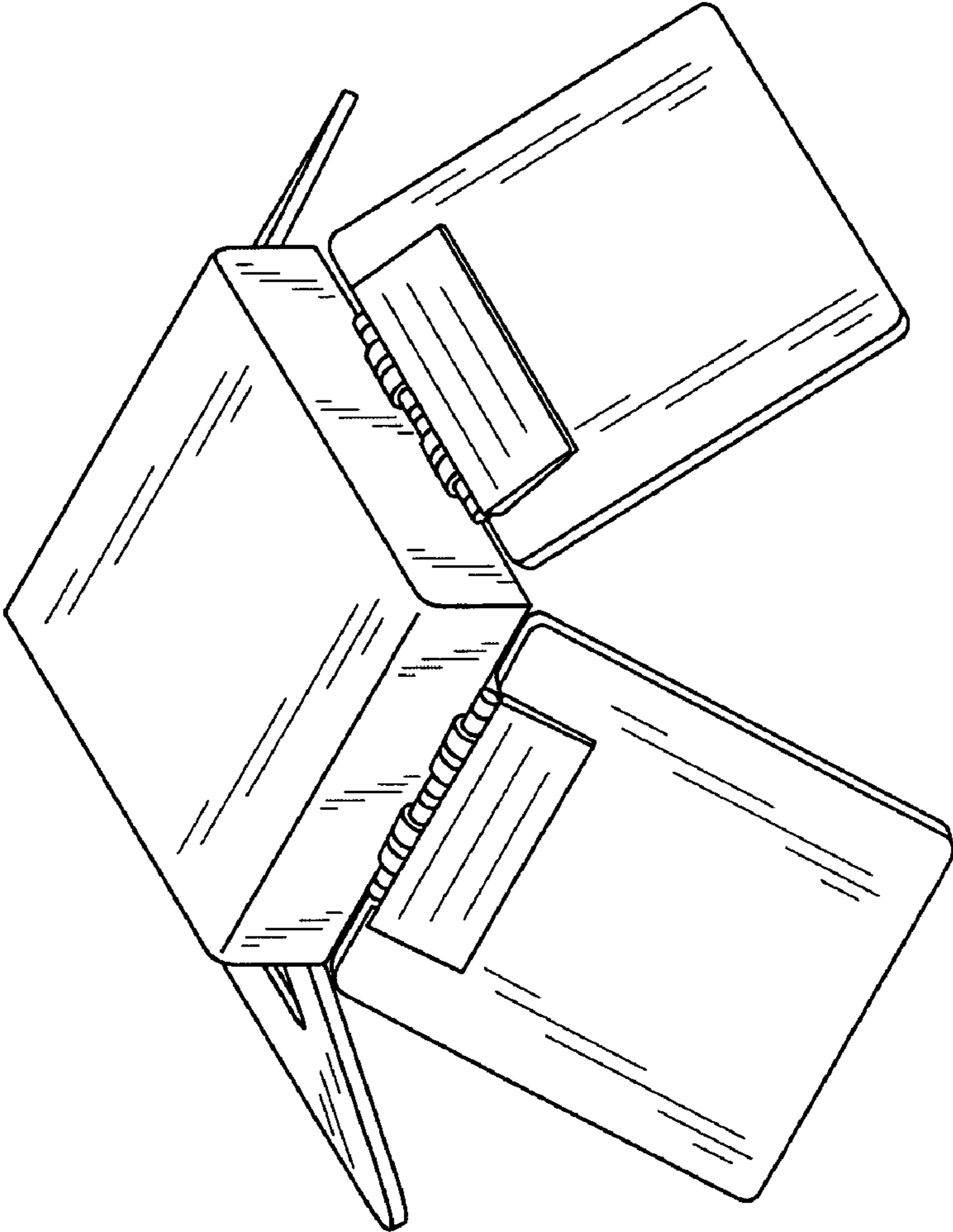


Fig.10

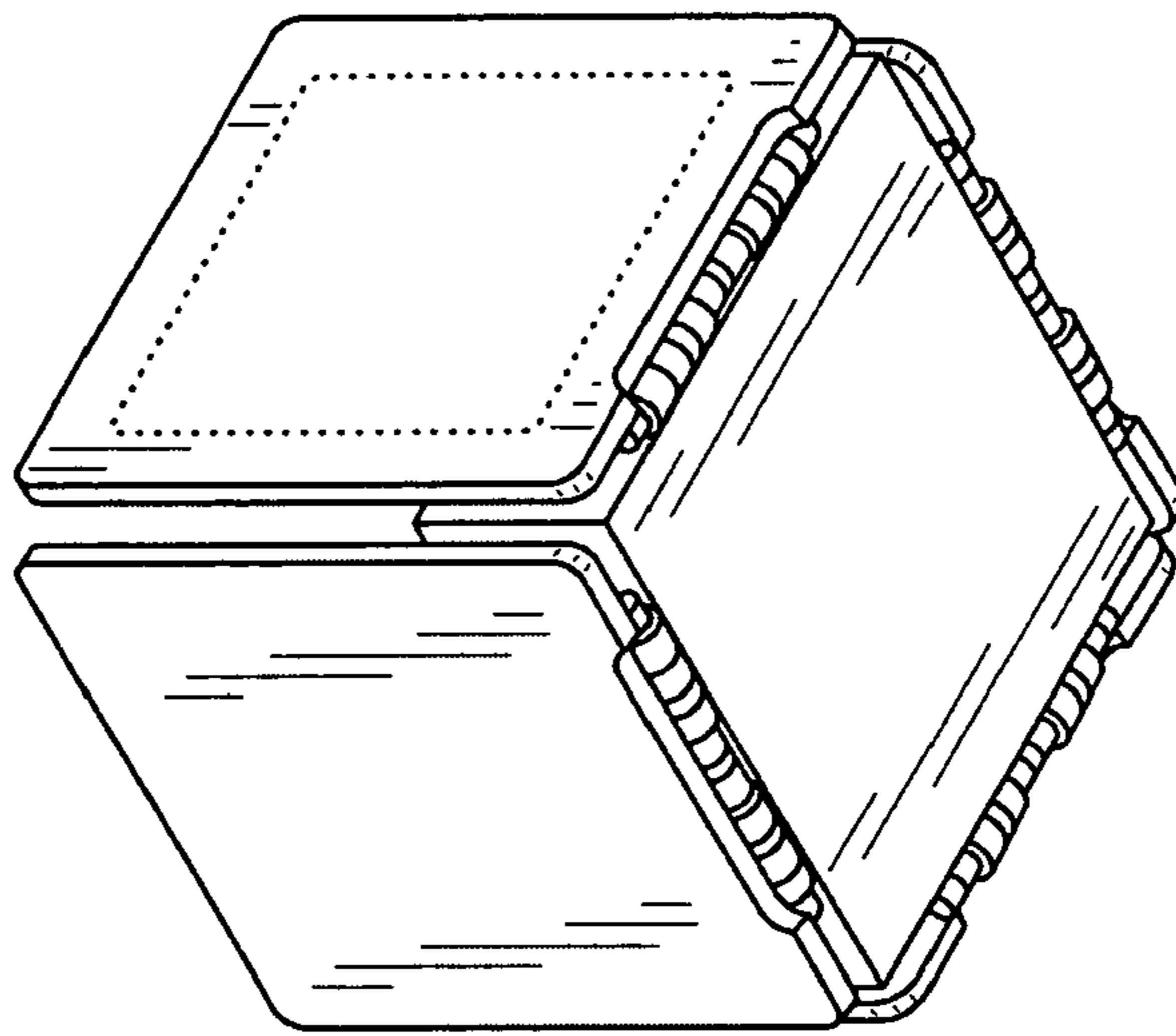


Fig. 11

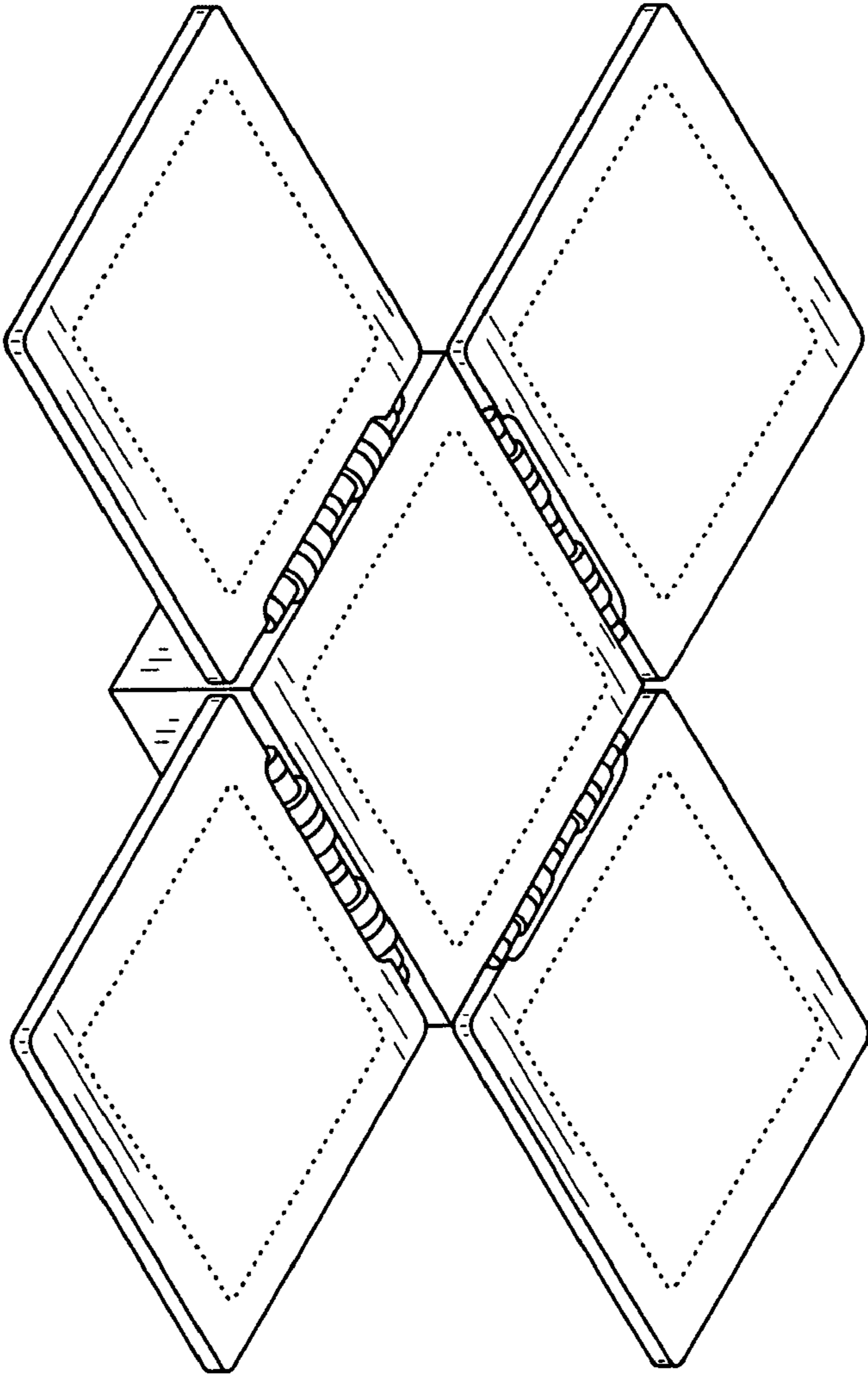


Fig.12

