



US00D586933S

(12) **United States Design Patent**
Lin

(10) **Patent No.:** **US D586,933 S**

(45) **Date of Patent:** **** Feb. 17, 2009**

(54) **FLASH LIGHT FOR BARBECUE GRILL**

D524,957 S * 7/2006 Lobert et al. D26/28
D564,114 S * 3/2008 Wei D26/44

(76) Inventor: **Chun-Cheng Lin**, No. 5, Alley 68, Lane
538, Shuangwun Rd., Dali City,
Taichung County 412 (TW)

* cited by examiner

Primary Examiner—Charles A Rademaker

Assistant Examiner—Dana L Sipos

(74) *Attorney, Agent, or Firm*—Alan Kamrath; Kamrath &
Associates PA

(**) Term: **14 Years**

(21) Appl. No.: **29/250,336**

(22) Filed: **Nov. 10, 2006**

(57) **CLAIM**

The ornamental design for flash light for barbecue grill, as
shown and described.

(51) **LOC (9) Cl.** **26-02**

(52) **U.S. Cl.** **D26/48**

(58) **Field of Classification Search** D26/37–38,
D26/43, 46, 48, 49–50, 44–45; 362/157–158,
362/183, 194–199, 202–208

See application file for complete search history.

DESCRIPTION

FIG. 1 is a perspective view of a flash light for barbecue grill
showing my new design;

FIG. 2 is a front elevational view thereof;

FIG. 3 is a rear elevational view thereof;

FIG. 4 is a left side elevational view thereof;

FIG. 5 is a right side elevational view thereof;

FIG. 6 is a top plan view thereof; and,

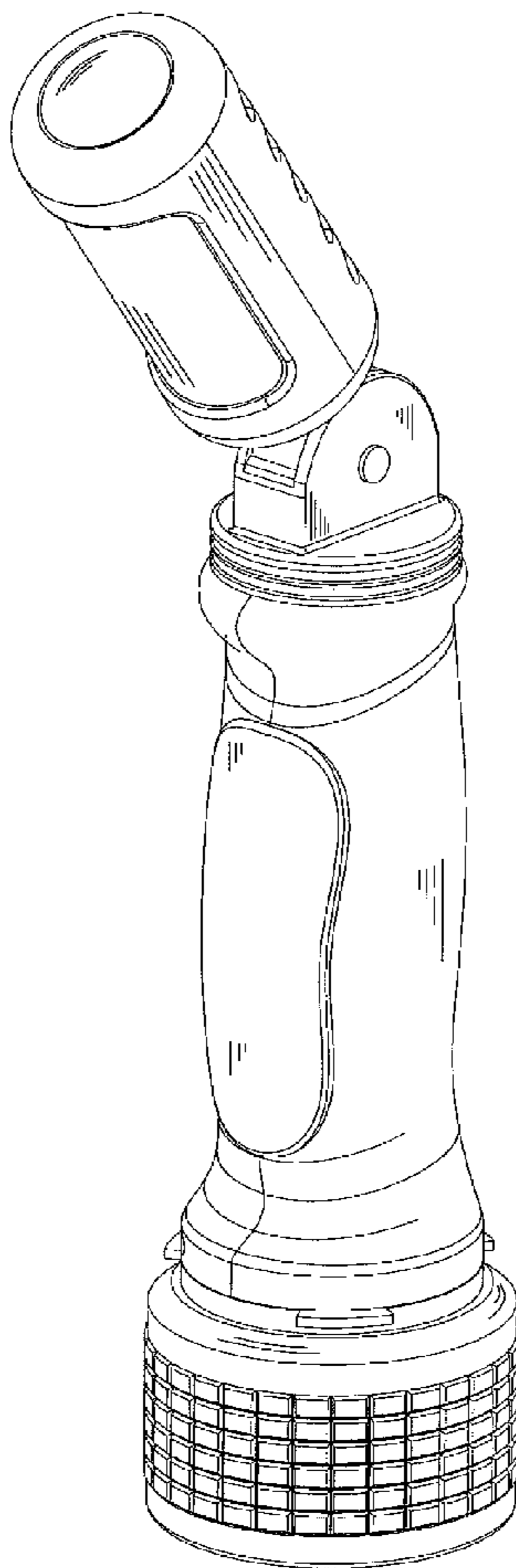
FIG. 7 is a bottom plan view thereof.

(56) **References Cited**

U.S. PATENT DOCUMENTS

| | | | | | | |
|-----------|---|---|---------|---------------|-------|---------|
| 1,763,815 | A | * | 6/1930 | Pajeau | | 362/197 |
| D352,565 | S | * | 11/1994 | Yau | | D26/50 |
| D368,147 | S | * | 3/1996 | Bamber et al. | | D26/49 |
| D380,846 | S | * | 7/1997 | Kung | | D26/49 |
| D428,175 | S | * | 7/2000 | Lynch et al. | | D26/44 |
| D515,230 | S | * | 2/2006 | Galli | | D26/49 |

1 Claim, 7 Drawing Sheets



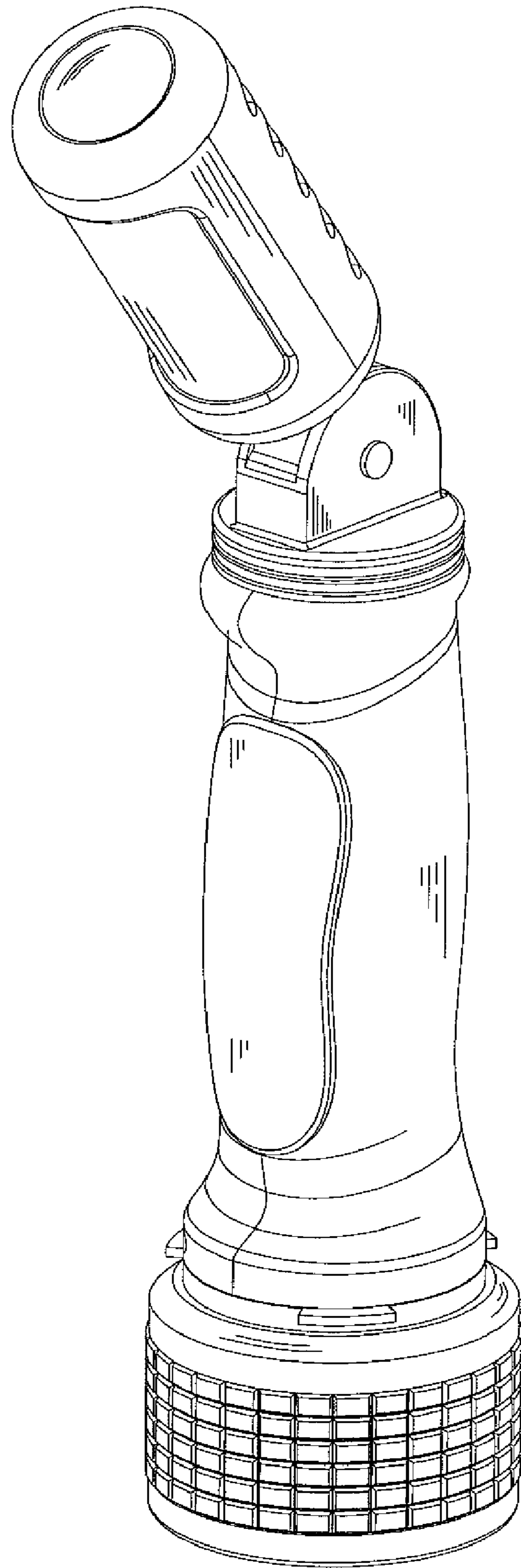


Fig. 1

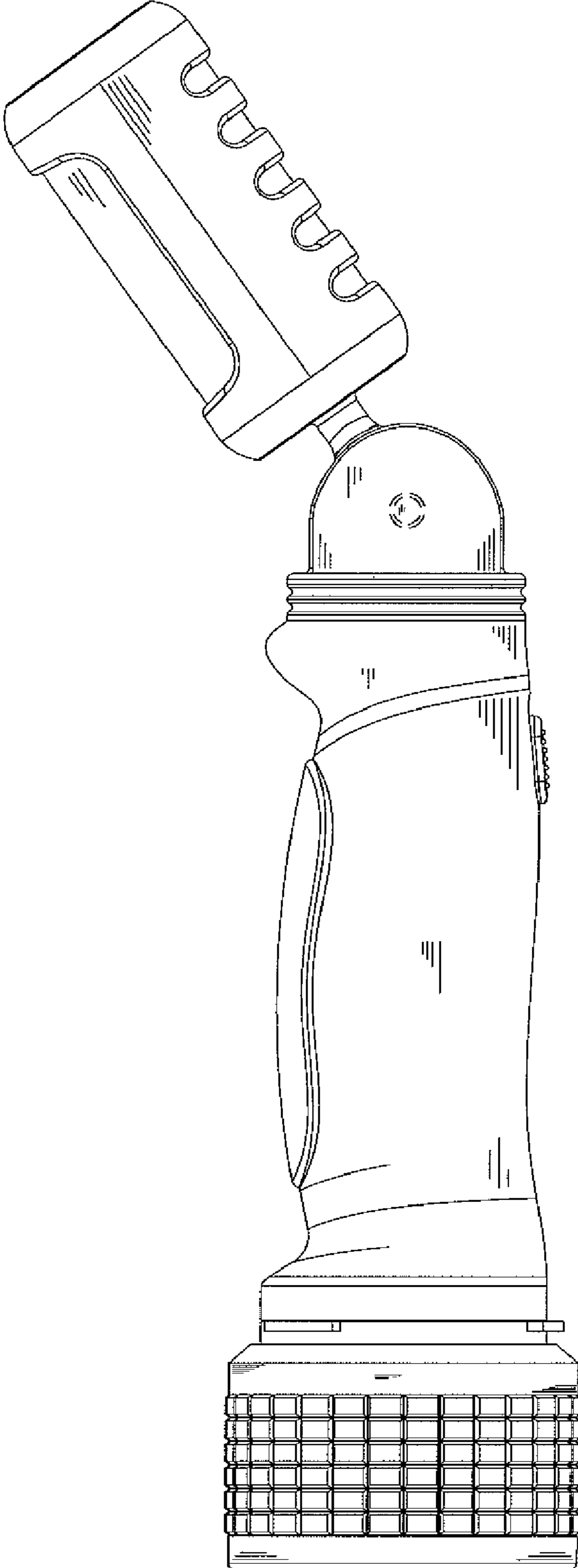


Fig. 2

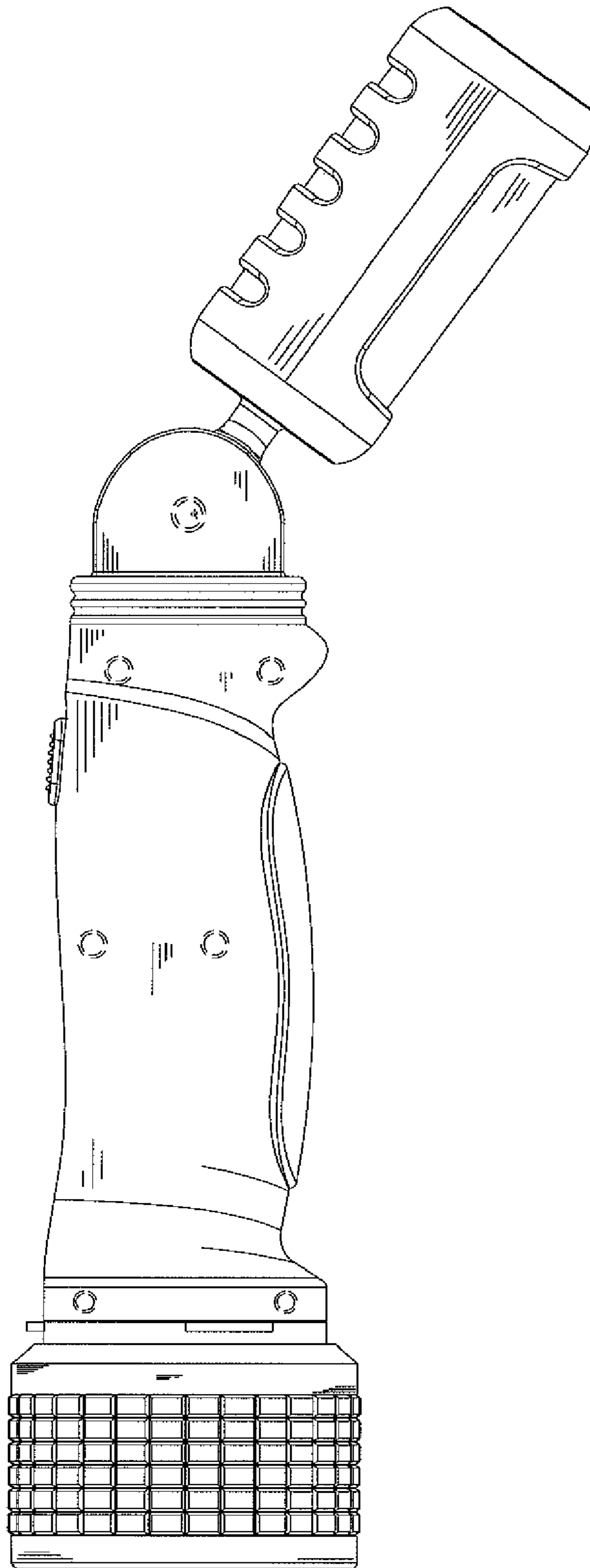


Fig. 3

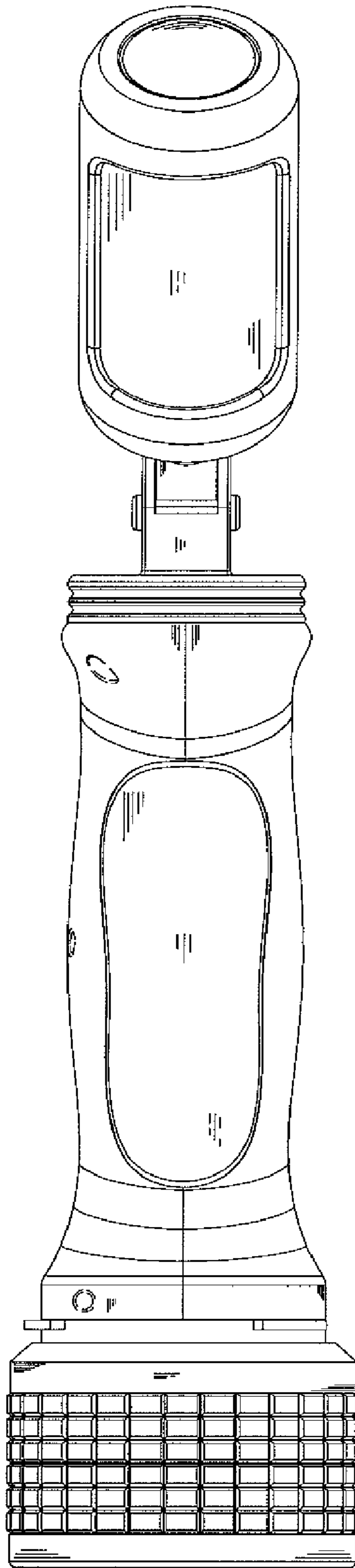


Fig. 4

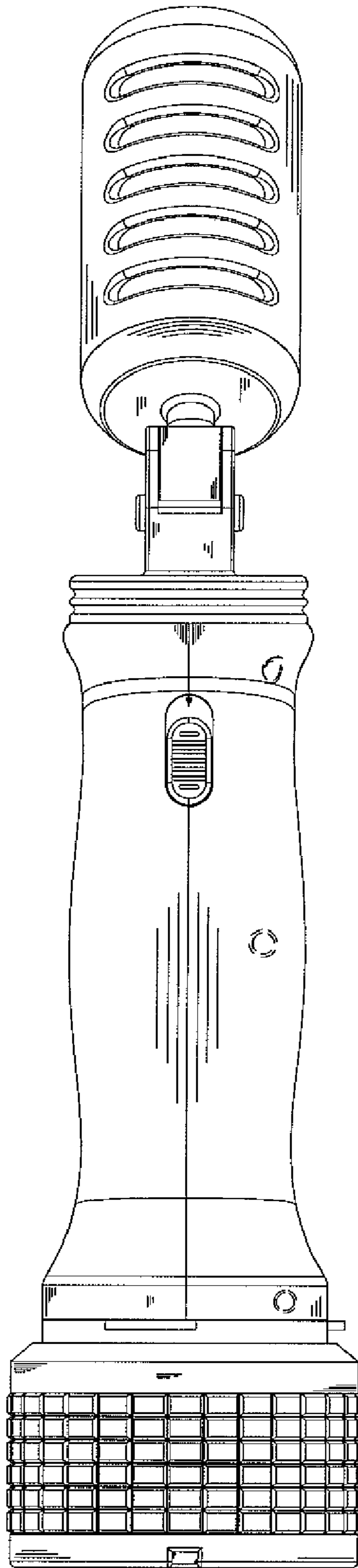


Fig. 5

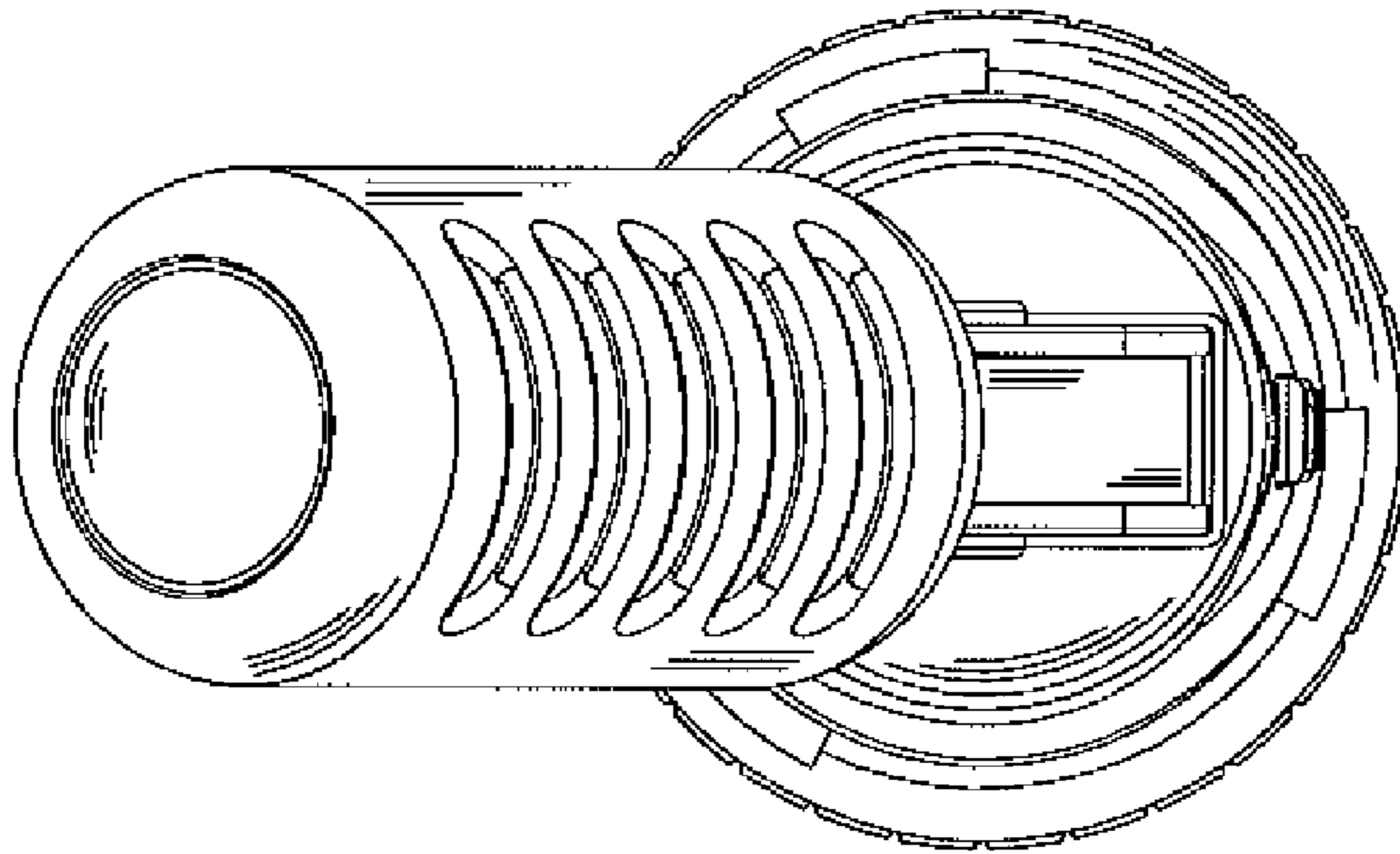


Fig. 6

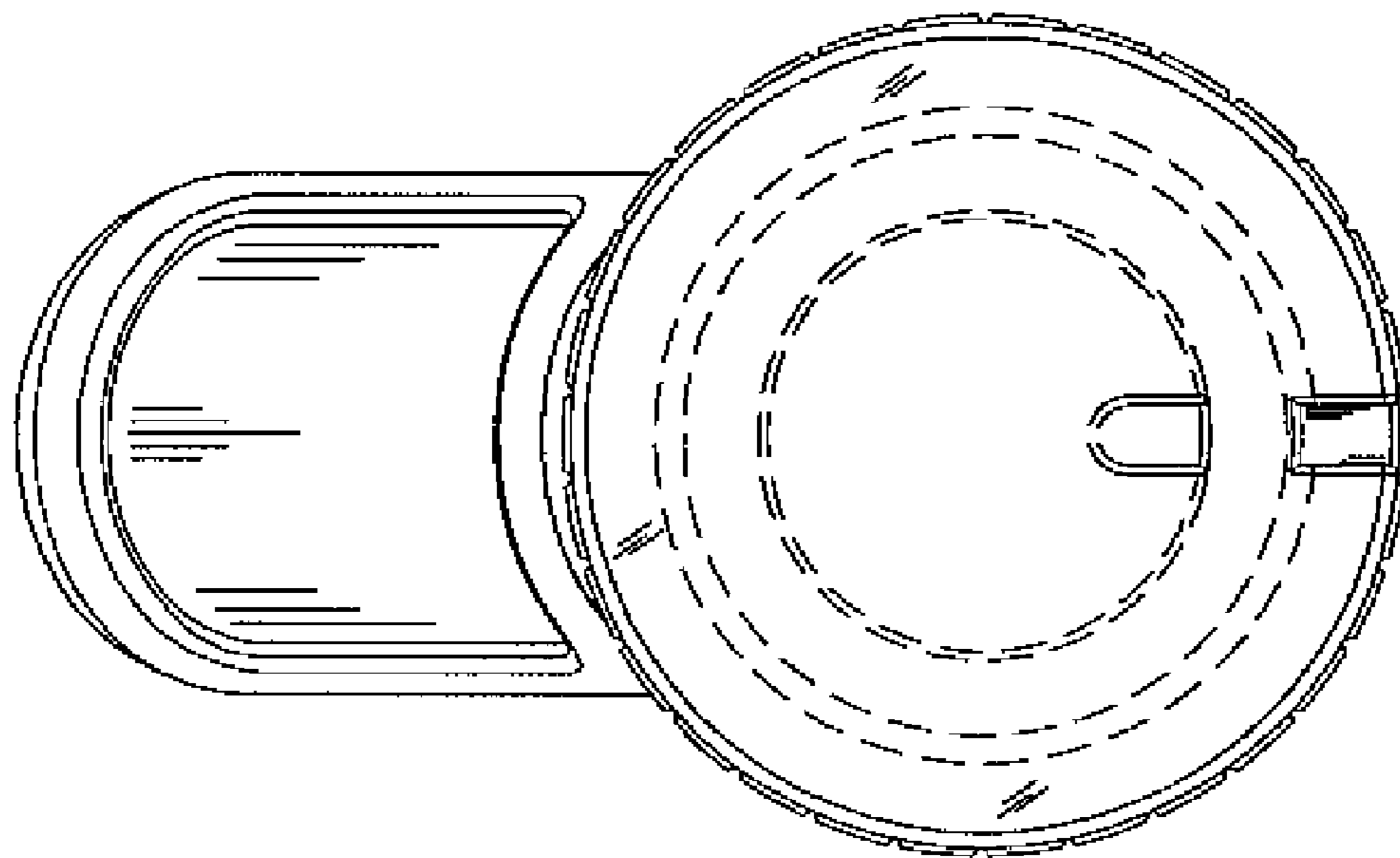


Fig. 7